



US00D427183S

United States Patent [19] Chrisey et al.

[11] **Patent Number: Des. 427,183**
[45] **Date of Patent: ** Jun. 27, 2000**

[54] **ANTENNA**

[75] **Inventors: Josh Chrisey, Garner; Richard Derrenbacher, Wake Forest, both of N.C.**

[73] **Assignee: Channel Master LLC, Smithfield, N.C.**

[**] **Term: 14 Years**

[21] **Appl. No.: 29/110,736**

[22] **Filed: Sep. 10, 1999**

[51] **LOC (7) Cl. 14-03**

[52] **U.S. Cl. D14/230**

[58] **Field of Search D14/230-238; 343/702, 901, 720, 713, 714, 795, 765, 840, 872, 878, 879; 455/90, 347, 128, 562**

[56] **References Cited**

U.S. PATENT DOCUMENTS

D. 209,750	1/1968	Bogner	D26/14
D. 214,276	5/1969	Rogers	D26/14
D. 221,766	9/1971	Rogers	D26/14
D. 222,145	10/1971	Winegard	D14/230
D. 244,040	4/1977	Pizon	D14/230
D. 245,778	9/1977	Langner	D14/86
D. 249,884	10/1978	Greenberg	D14/86
D. 303,262	9/1989	Sallus	D14/230
D. 345,165	3/1994	Cota et al.	D14/230
D. 362,254	9/1995	Lin	D14/232
D. 364,874	12/1995	Cheng	D14/235
D. 367,063	2/1996	Fillion-Robin	D14/235
D. 403,682	1/1999	Brehmer et al.	D14/230
3,860,932	1/1975	Hochbrueckner	343/713

4,293,861	10/1981	Winegard et al.	343/766
4,392,139	7/1983	Aoyama et al.	343/705
4,868,577	9/1989	Wingard	343/713
5,262,793	11/1993	Sperry	343/713

OTHER PUBLICATIONS

Advertisement for Television Antenna (undated).
DIY Accessories Brochure, Printed in USA Dec. 1997 (15842A) Rev. B.

Primary Examiner—Louis S. Zarfes
Assistant Examiner—G Andoll
Attorney, Agent, or Firm—Darby & Darby

[57] **CLAIM**

The ornamental design for an antenna, as shown and described.

DESCRIPTION

FIG. 1 is a side perspective view of an antenna according to our new design;
FIG. 2 is a front elevational view thereof;
FIG. 3 is a rear elevational view thereof;
FIG. 4 is a side elevational view thereof;
FIG. 5 is a top plan view thereof; and,
FIG. 6 is a bottom plan view thereof.

The surfaces of the article not shown in the drawing or described in the specification form no part of the claimed design.

The broken lines in the figures are for illustrative purposes only and form no part of the claimed design.

The broken lines which border the claimed portions of the design form no part thereof.

1 Claim, 5 Drawing Sheets

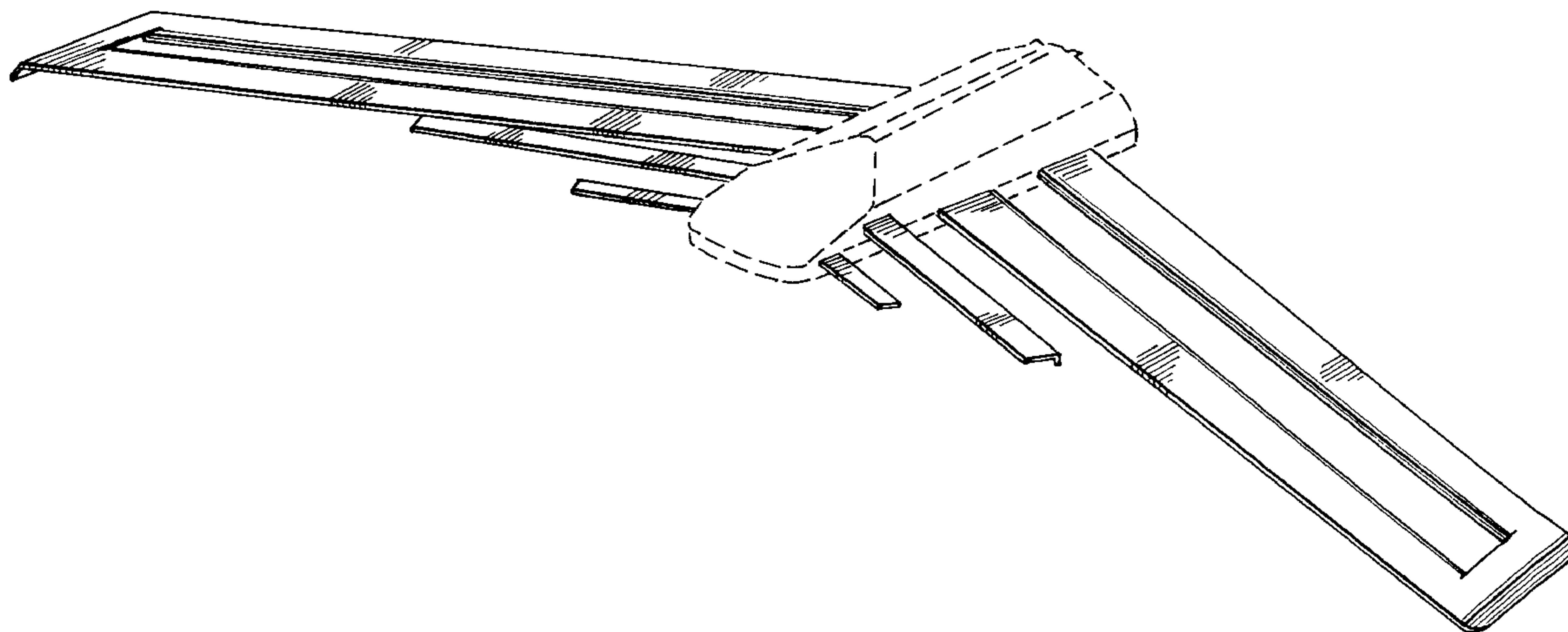


FIG. 1

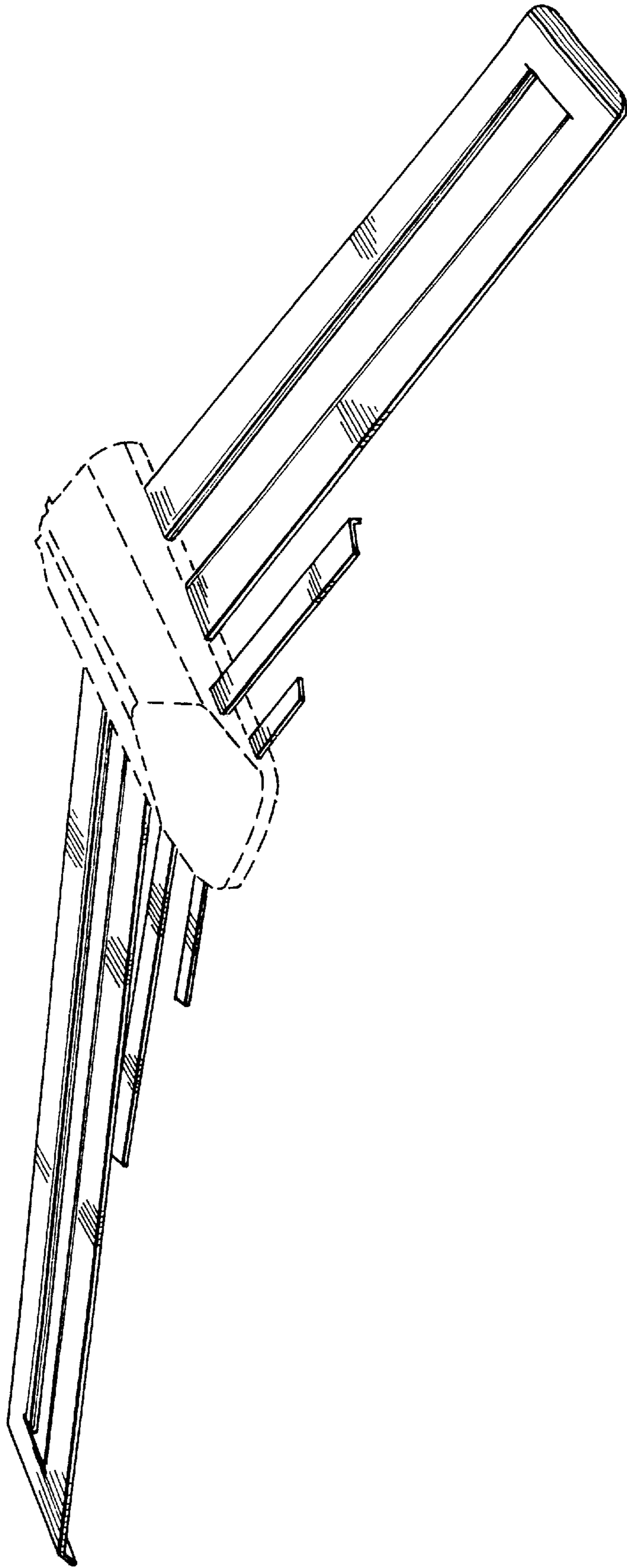


FIG. 2

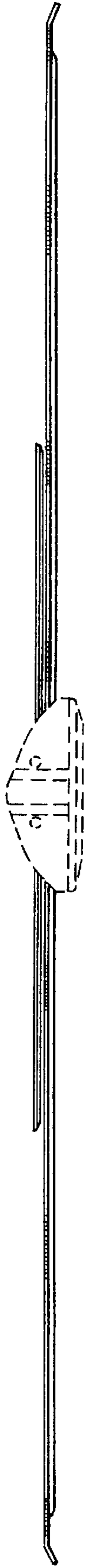


FIG. 3



FIG. 4

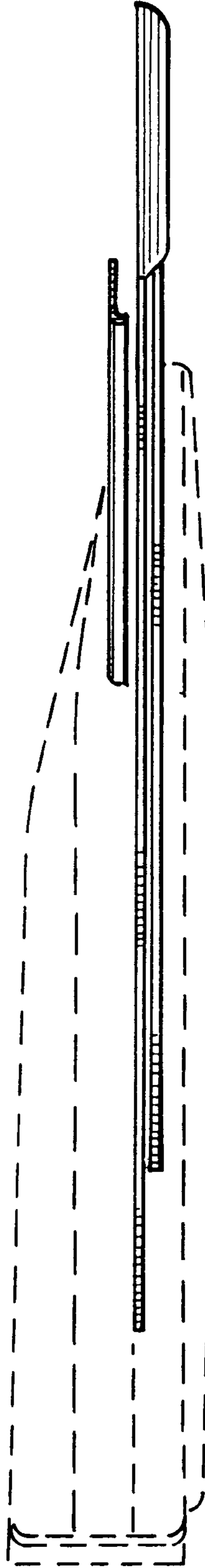


FIG. 5

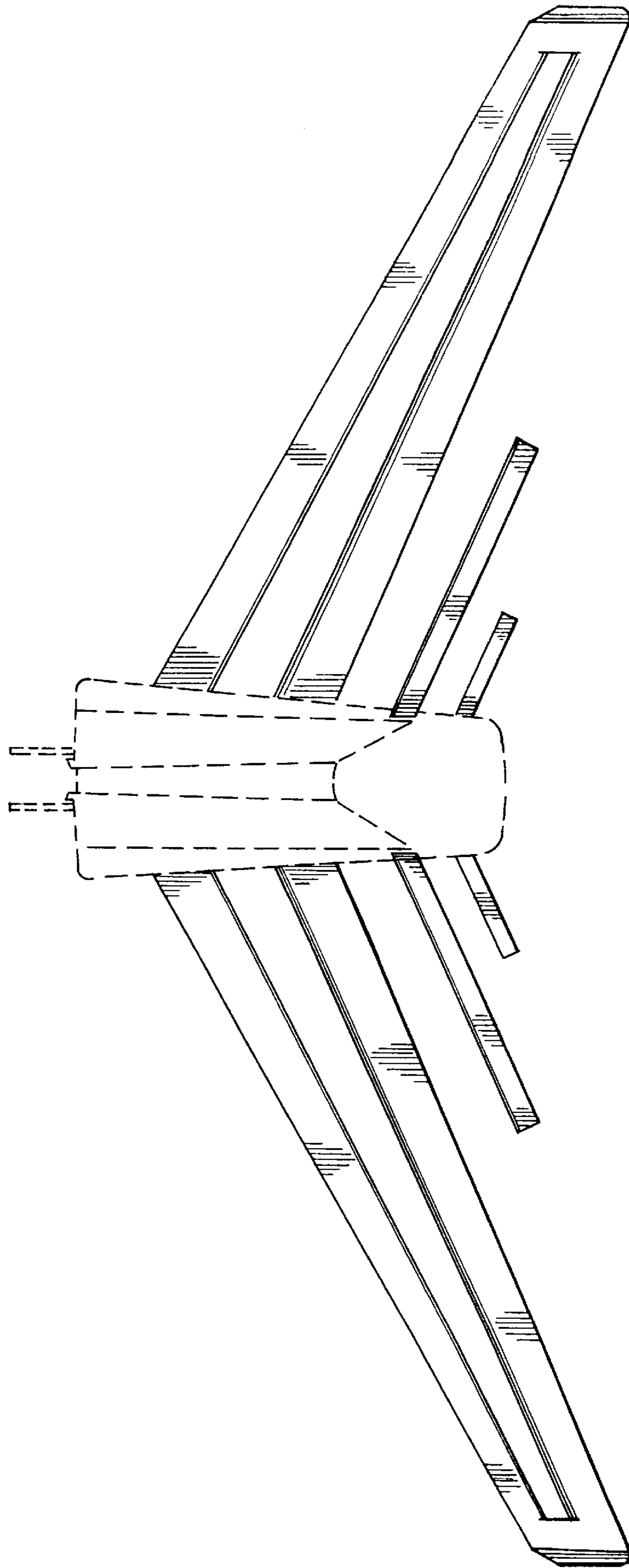


FIG. 6

