



US00D427182S

United States Patent [19]

Andrew et al.

[11] Patent Number: Des. 427,182

[45] Date of Patent: ** Jun. 27, 2000

[54] INTEGRATED ANTENNA AND HOUSING FOR ELECTRONICS

[75] Inventors: **Brian J. Andrew; Philip C. Gulliford**, both of Longwood; **Joseph A. Dick**, Orlando, all of Fla.

[73] Assignee: **Triton Network Systems, Inc.**, Orlando, Fla.

[**] Term: **14 Years**

[21] Appl. No.: **29/104,208**

[22] Filed: **Apr. 30, 1999**

[51] **LOC (7) Cl.** **14-03**

[52] **U.S. Cl.** **D14/230**

[58] **Field of Search** D14/230-238; 343/702, 901, 720, 713, 714, 795, 765, 840, 728, 878, 879; 455/90, 347, 128, 562

[56] References Cited

U.S. PATENT DOCUMENTS

D. 378,592	3/1997	Hartwig et al.	D14/230
D. 386,186	11/1997	Schnetzer	D14/230
D. 396,724	8/1998	Herbst et al.	D14/230
D. 414,187	9/1999	Lange et al.	D14/231
2,828,413	3/1958	Bowers	343/902
5,974,304	10/1999	Chen	455/90

Primary Examiner—Louis S. Zarfes

Assistant Examiner—G. Andoll

Attorney, Agent, or Firm—Fulbright & Jaworski L.L.P.

[57] CLAIM

The ornamental design for an integrated antenna and housing for electronics, as shown and described.

DESCRIPTION

FIG. 1 is an isometric view from the front, right and bottom of an integrated antenna and housing for electronics, showing our new design;

FIG. 2 is an isometric view from the rear, top and right thereof;

FIG. 3 is a rear elevational view thereof;

FIG. 4 is a left side elevational view thereof;

FIG. 5 is a front elevational view thereof;

FIG. 6 is a right side elevational view thereof;

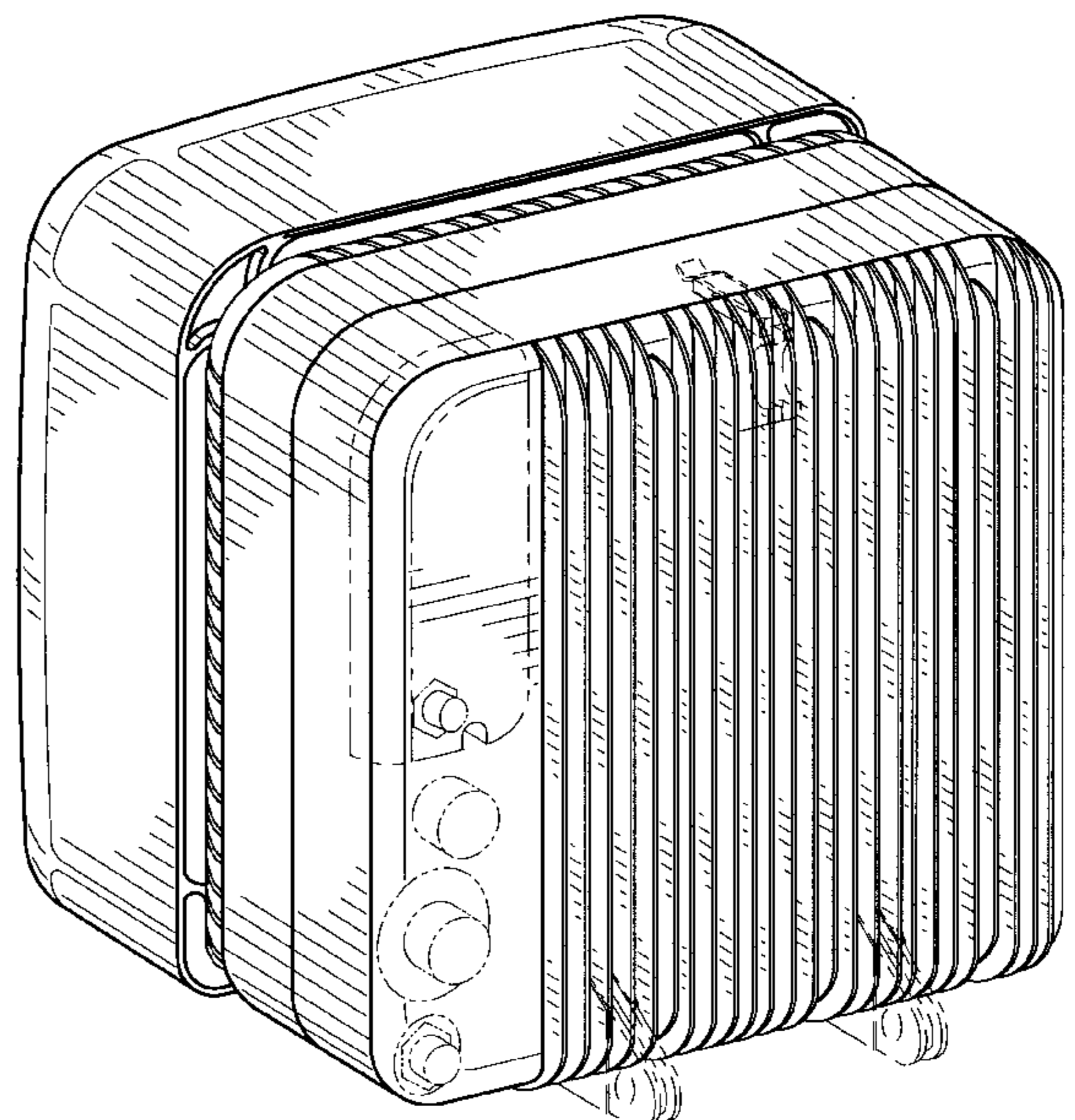
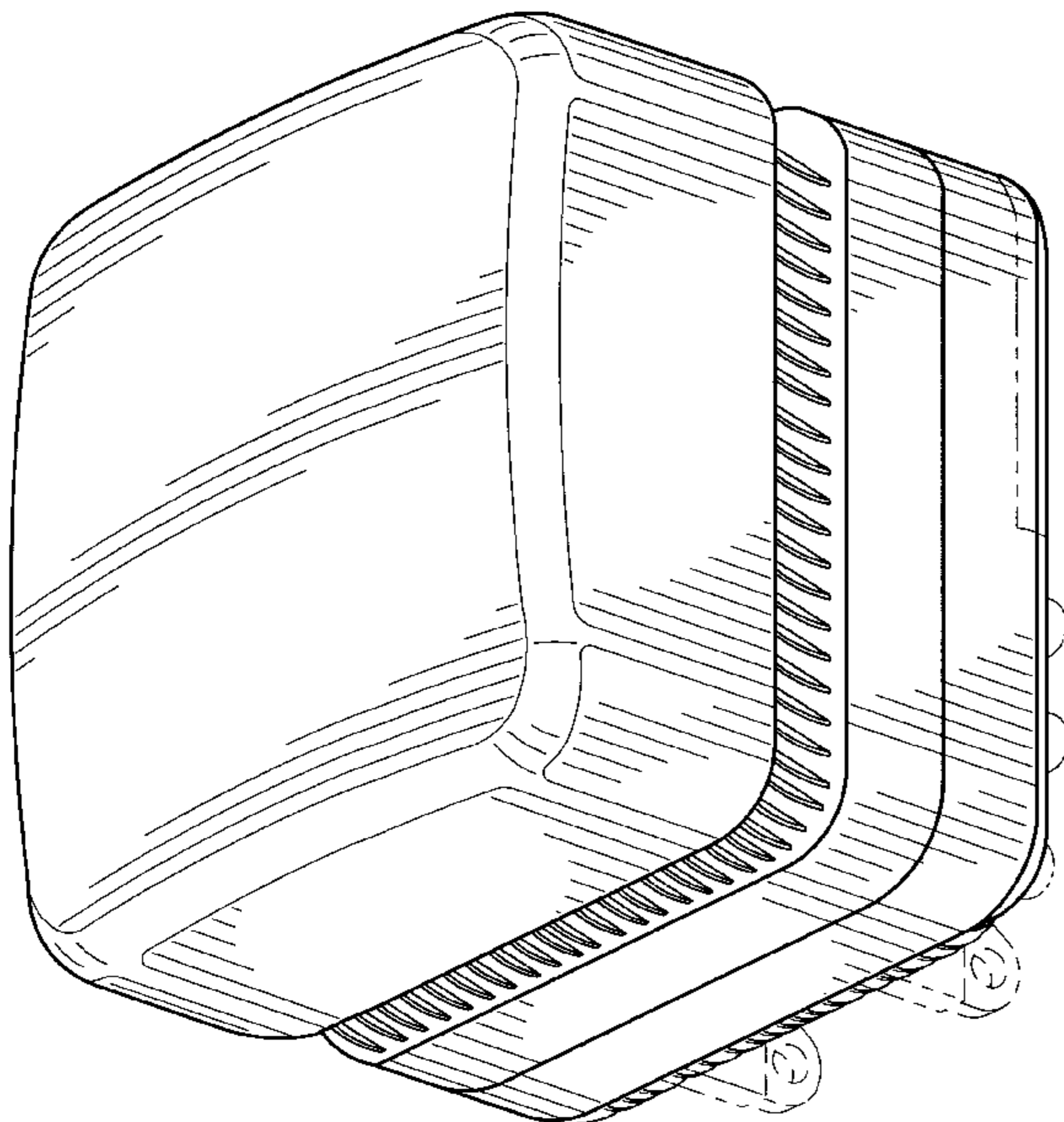
FIG. 7 is a top plan view thereof; and,

FIG. 8 is a bottom plan view thereof.

The broken lines in the Figures which show the mounting attachment spring clip, the mounting attachment points, access panel, and signal, power and test ports of the housing for electronics portion of the integrated antenna and housing for electronics are for illustrative purposes only and form no part of the claimed design.

The characteristic feature of the integrated antenna and housing for electronics resides in that it is a rectangular solid wherein the straight lines blend with architectural construction of structure such as buildings upon which the design is to be interfaced, having rounded corners to soften the appearance of the housing and minimize its visual size.

1 Claim, 4 Drawing Sheets



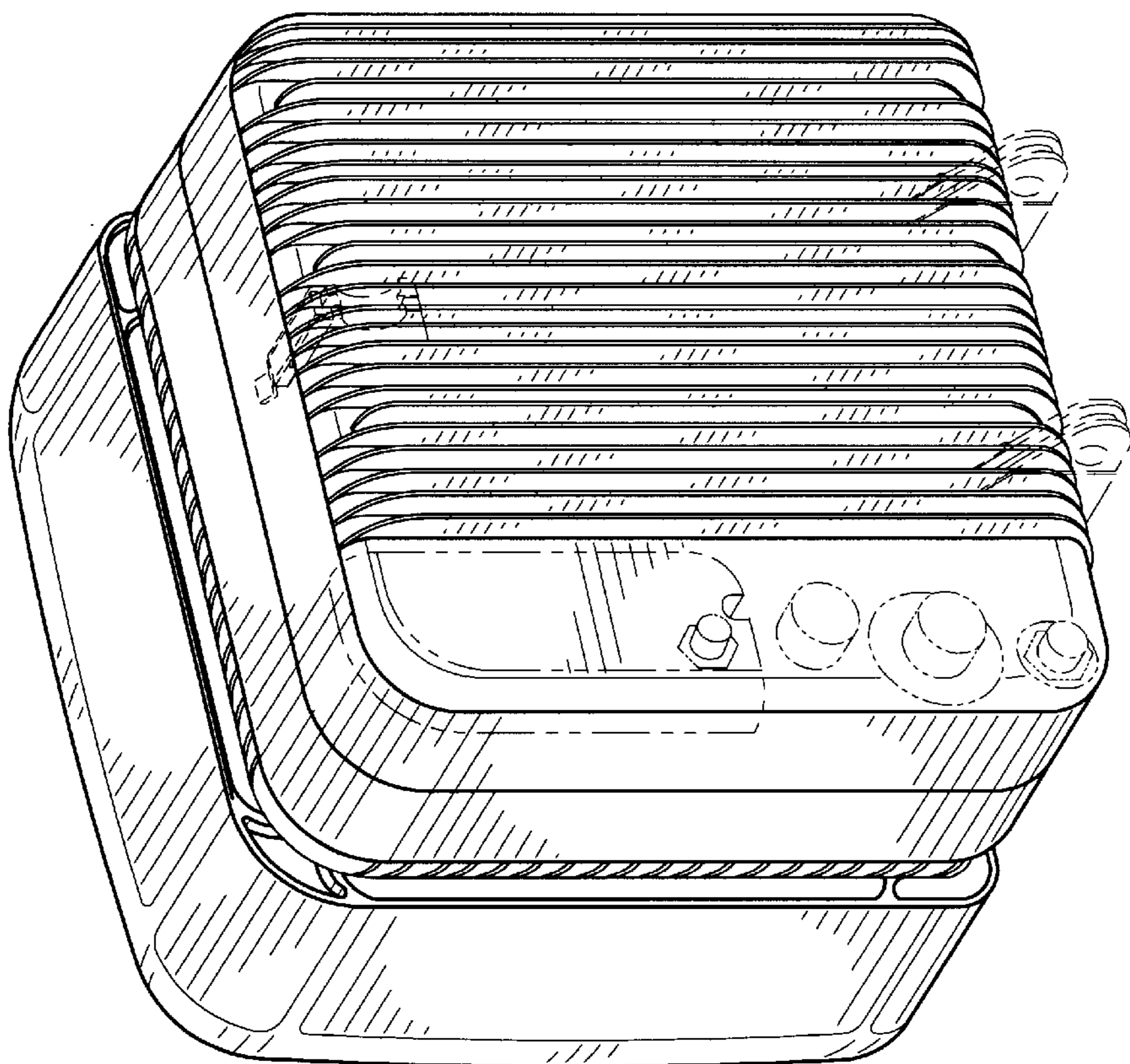


FIG. 2

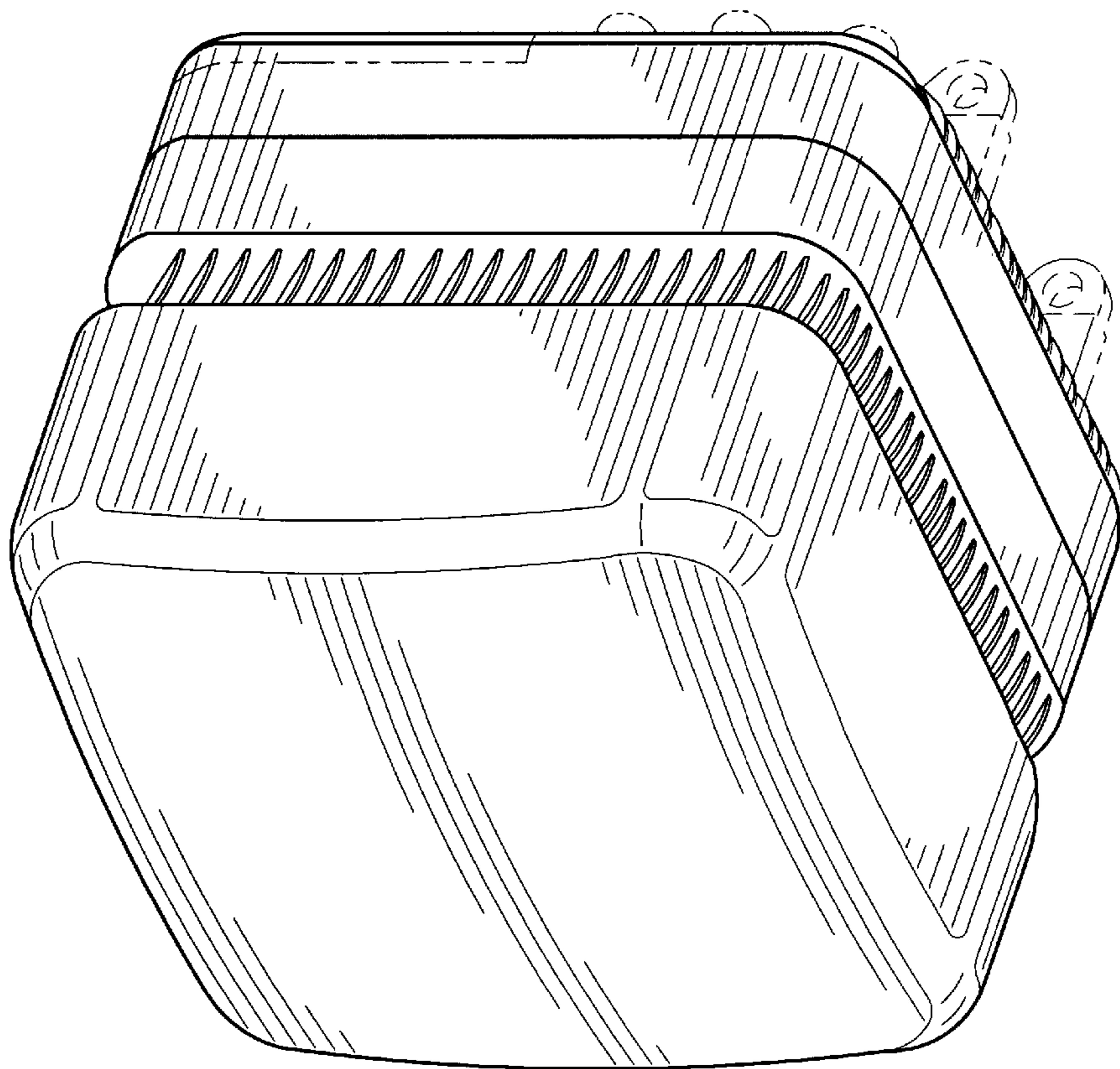


FIG. 1

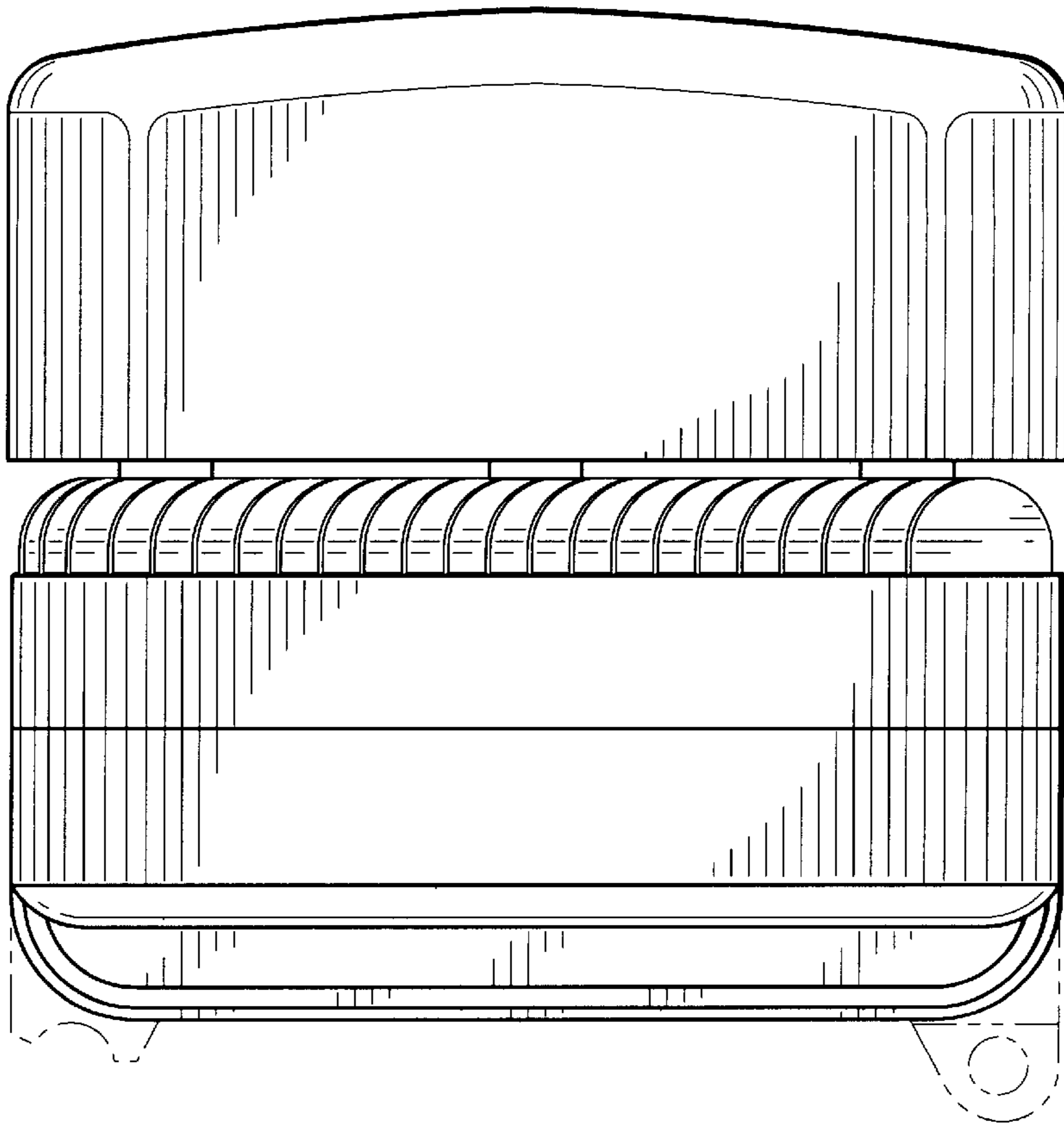


FIG. 4

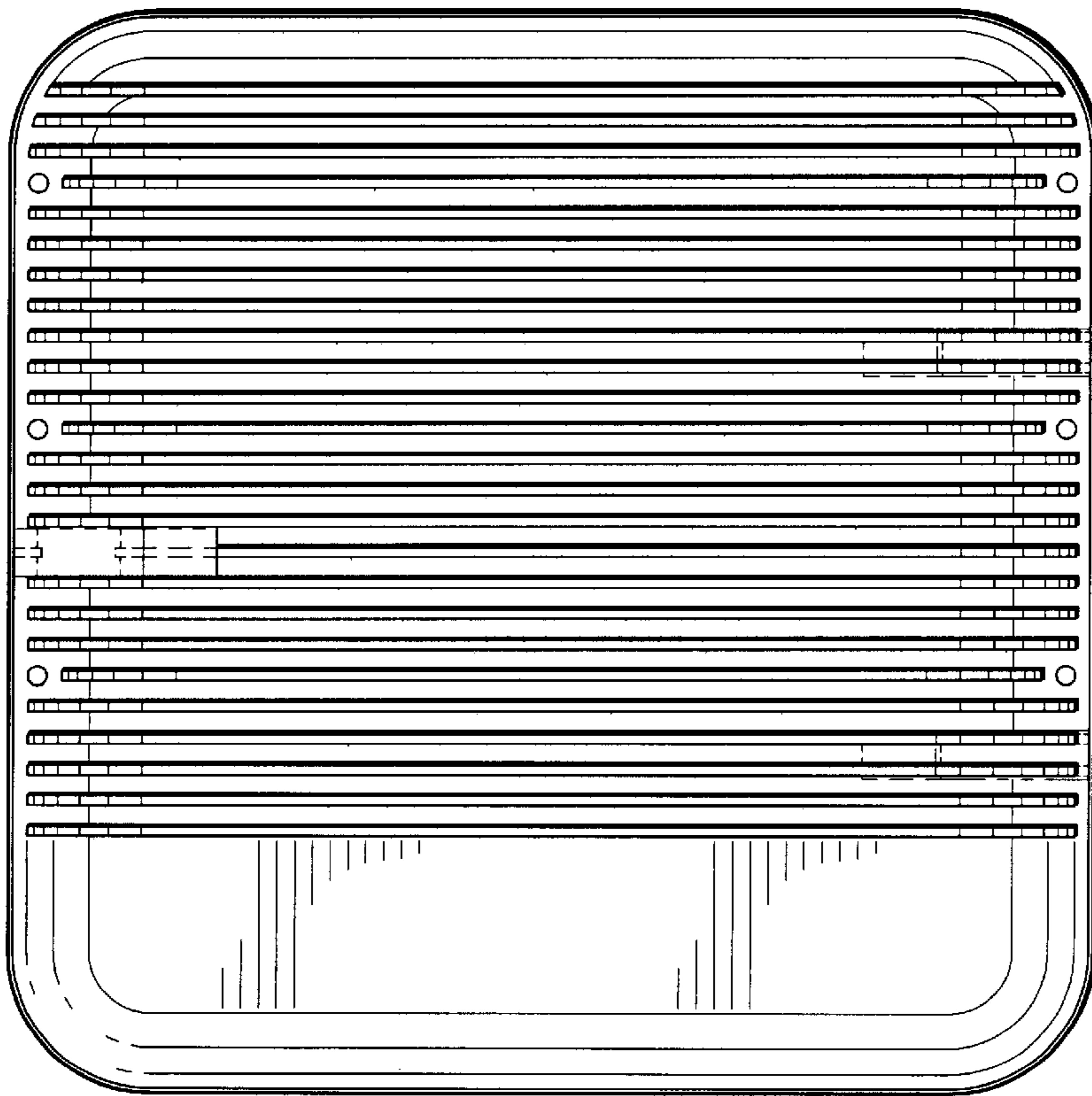


FIG. 3

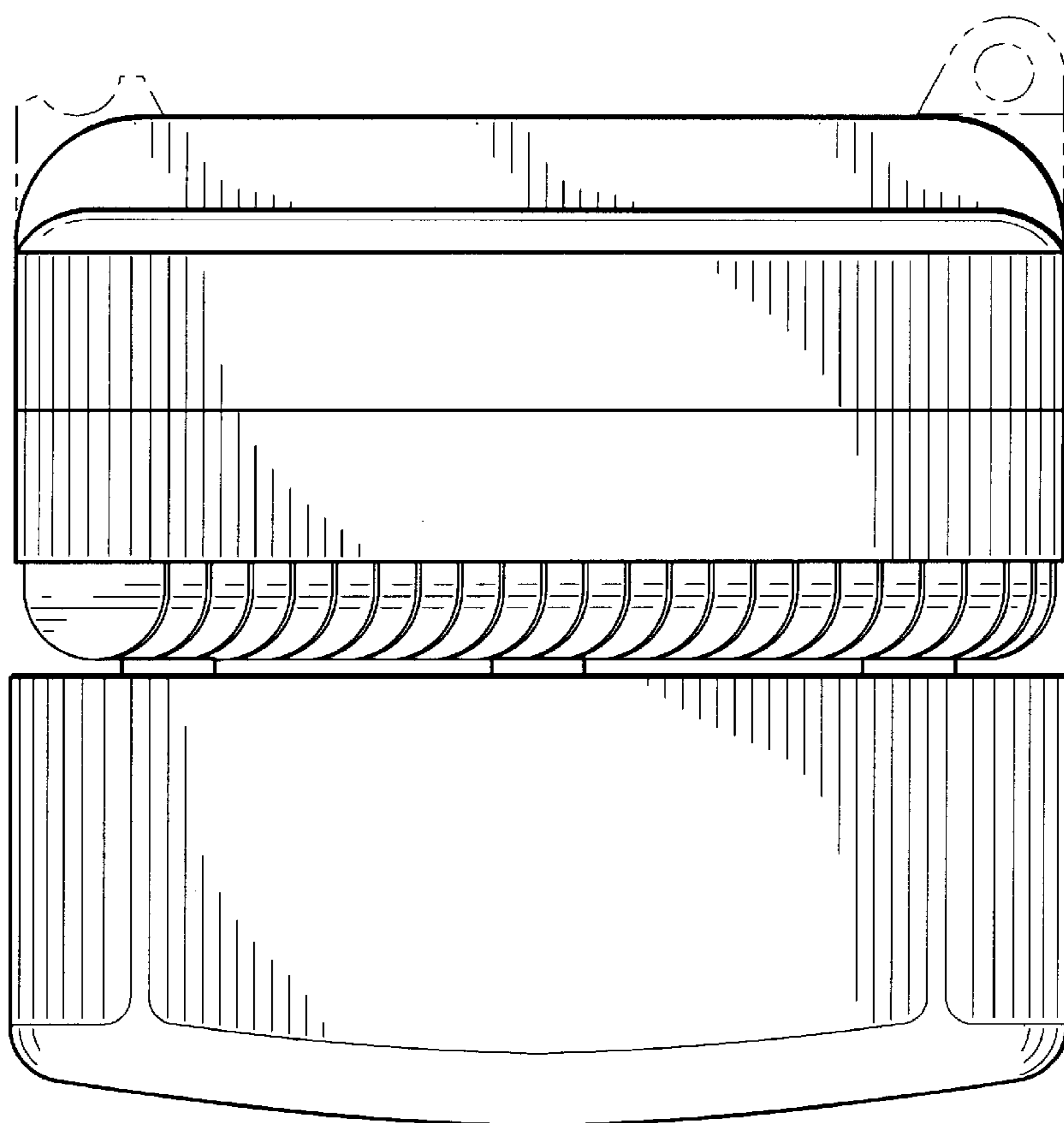


FIG. 6

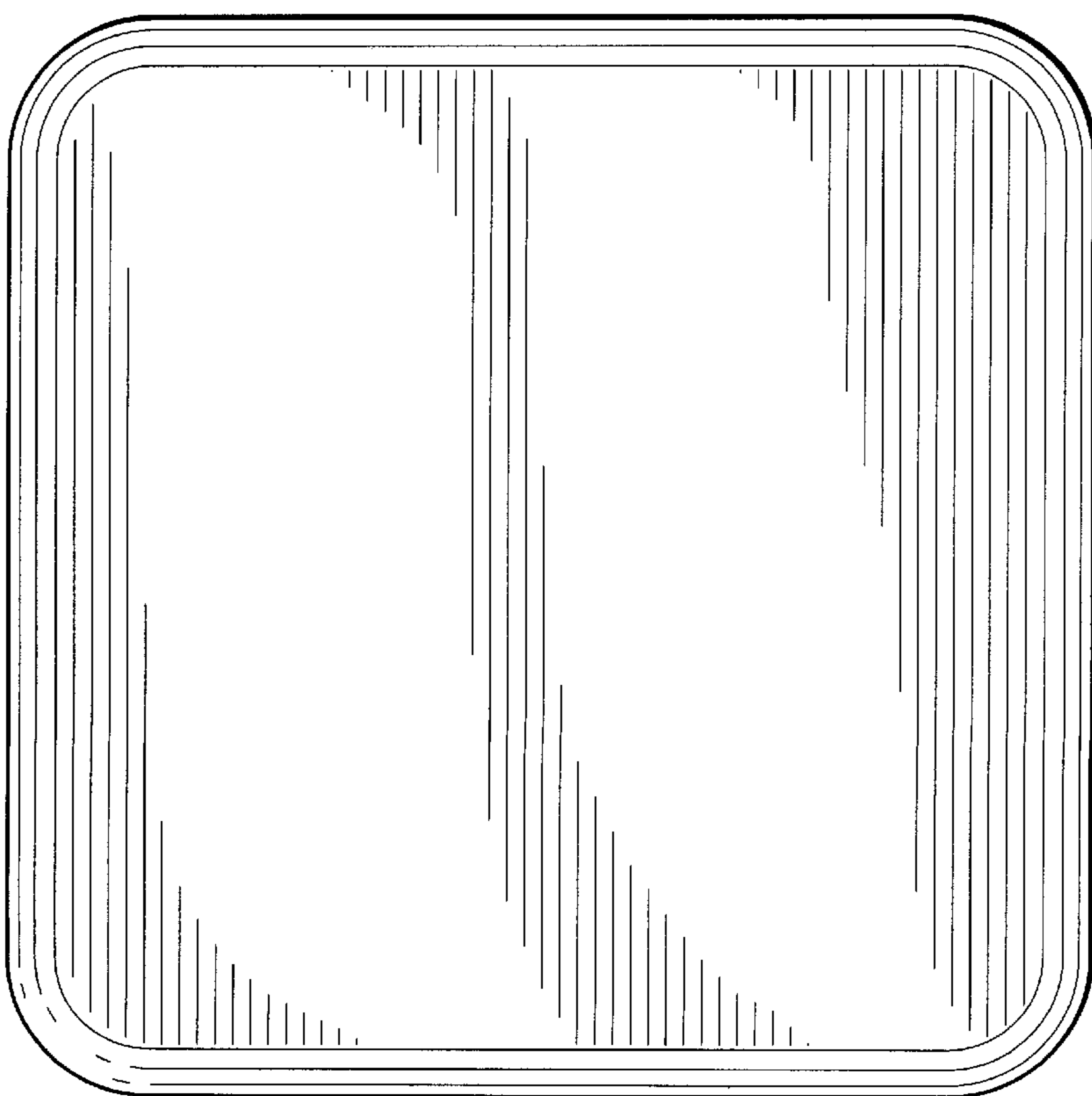


FIG. 5

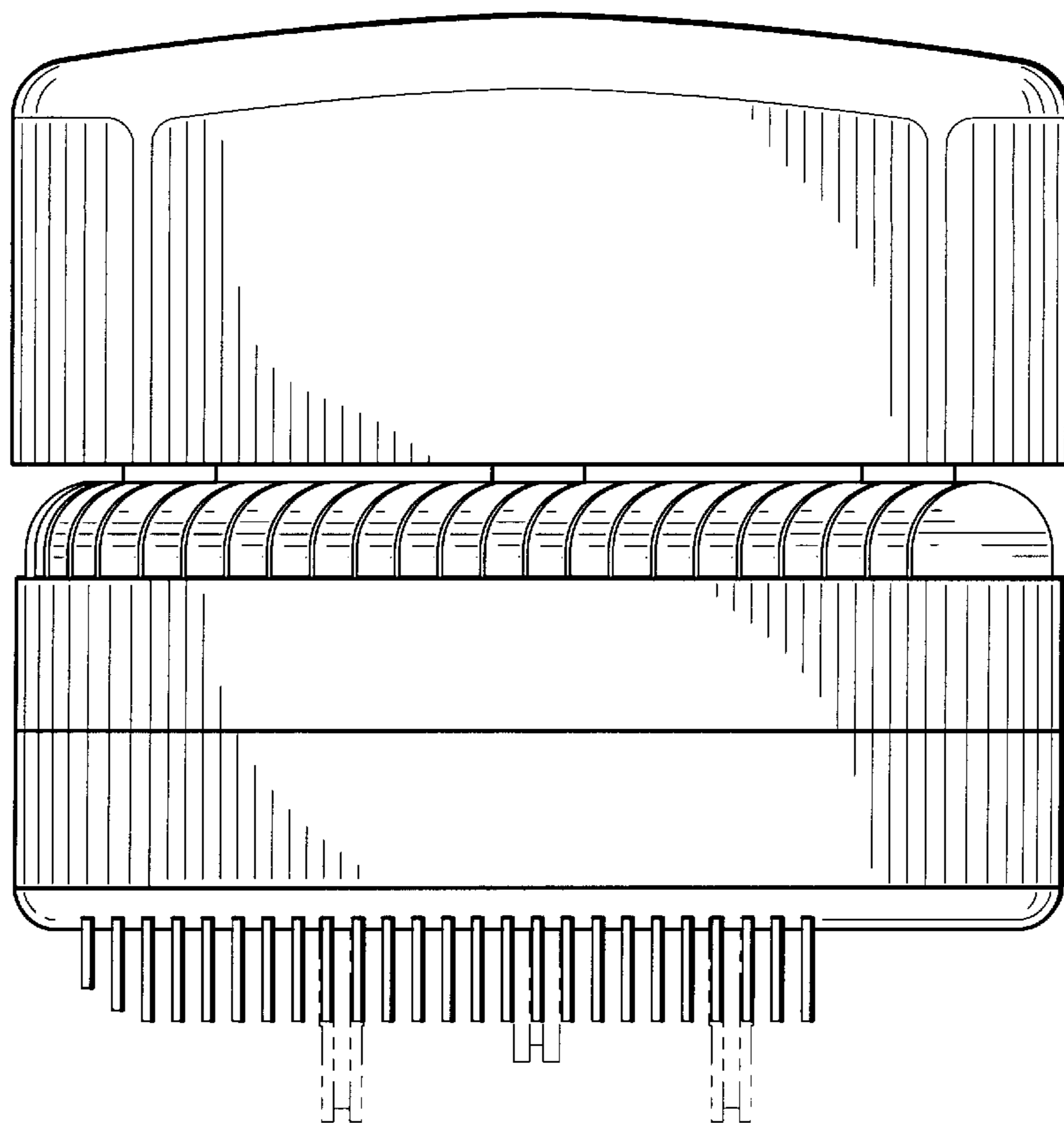


FIG. 8

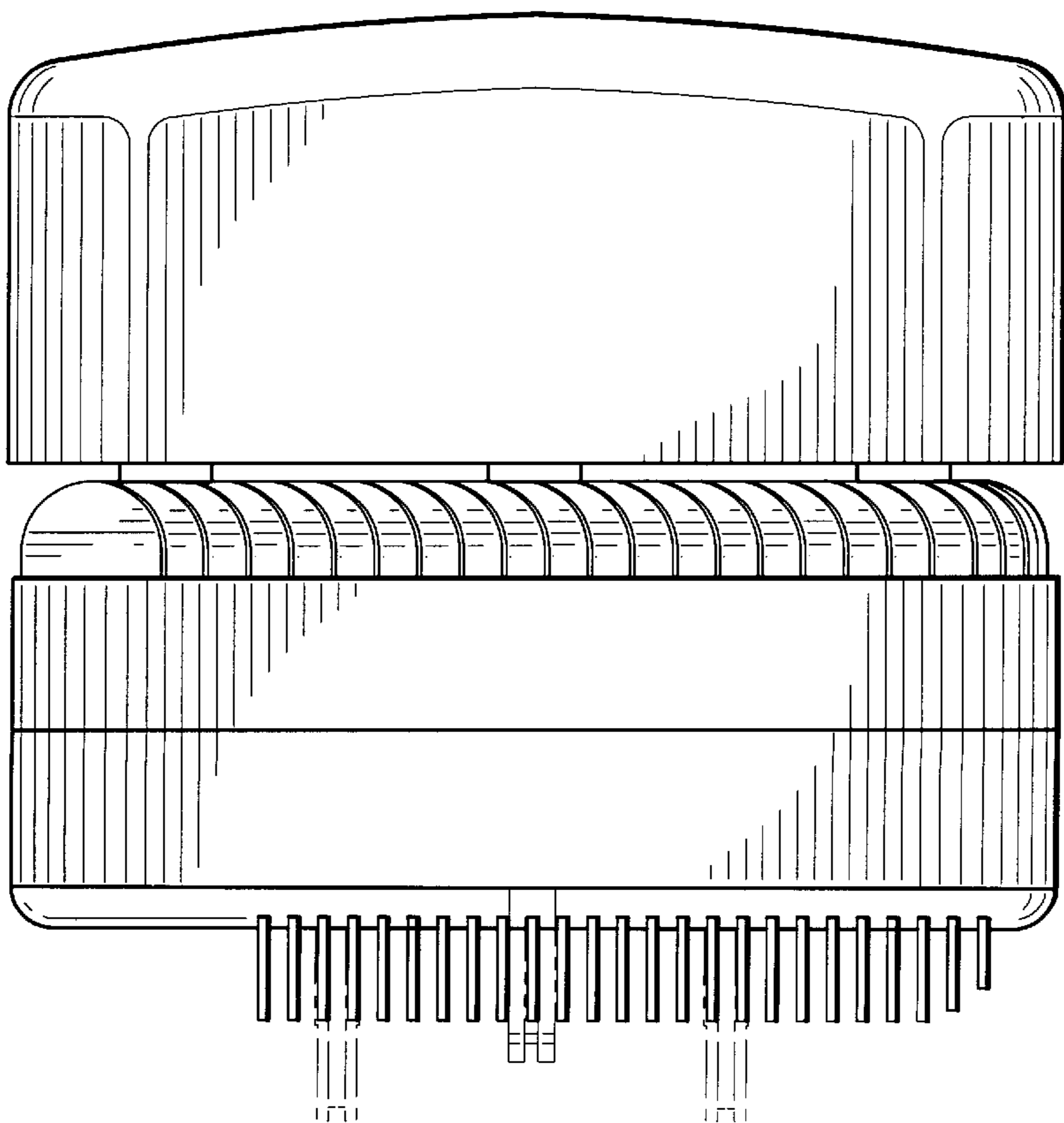


FIG. 7