



US00D427181S

United States Patent [19] Engwall

[11] Patent Number: **Des. 427,181**

[45] Date of Patent: **** Jun. 27, 2000**

[54] ANTENNA DEVICE

[75] Inventor: **Erik Viktor Engwall**, Waxholm, Sweden

[73] Assignee: **Allgon AB**, Akersberga, Sweden

[**] Term: **14 Years**

[21] Appl. No.: **29/102,130**

[22] Filed: **Mar. 17, 1999**

[51] LOC (7) Cl. **14-03**

[52] U.S. Cl. **D14/230**

[58] Field of Search D14/230-238;
343/702, 901, 720, 713, 714, 795, 765,
840, 872, 878, 879; 455/90, 347, 128, 562

[56] **References Cited**

U.S. PATENT DOCUMENTS

D. 357,021	4/1995	Prince	D14/235
D. 367,481	2/1996	Bacnik	D14/230
4,931,805	6/1990	Fisher	343/713
4,931,809	6/1990	Putman et al.	343/713
5,565,877	10/1996	Du et al.	343/713

Primary Examiner—Louis S. Zarfes
Assistant Examiner—G. Andoll
Attorney, Agent, or Firm—Jacobson, Price, Holman & Stern, PLLC

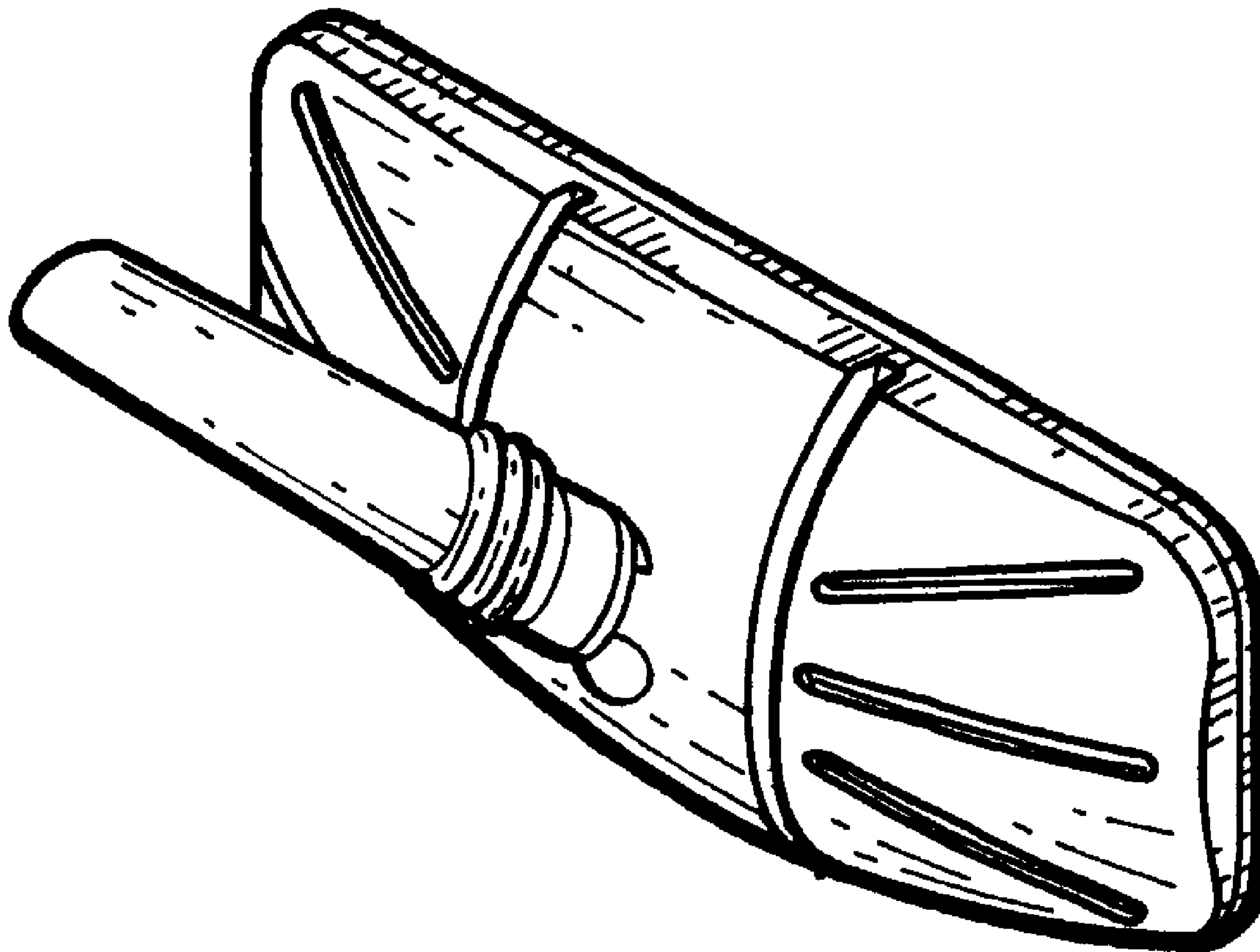
[57] **CLAIM**

I claim the ornamental design for the antenna device, as shown and described.

DESCRIPTION

FIG. 1 is a front elevational view of the antenna device embodying my design;
FIG. 2 is a top plan view of the antenna device shown in FIG. 1;
FIG. 3 is a back elevational view wherein FIG. 1 has been rotated 180 degrees;
FIG. 4 is a right side elevational view wherein FIG. 1 has been rotated 90 degrees;
FIG. 5 is a top right side perspective view of the antenna device of FIG. 1;
FIG. 6 is a bottom plan view of the antenna device of FIG. 1;
FIG. 7 is a left side elevational view wherein FIG. 1 has been rotated 90 degrees; and,
FIG. 8 is a top right side perspective view of the antenna device wherein FIG. 5 has been rotated.

1 Claim, 2 Drawing Sheets



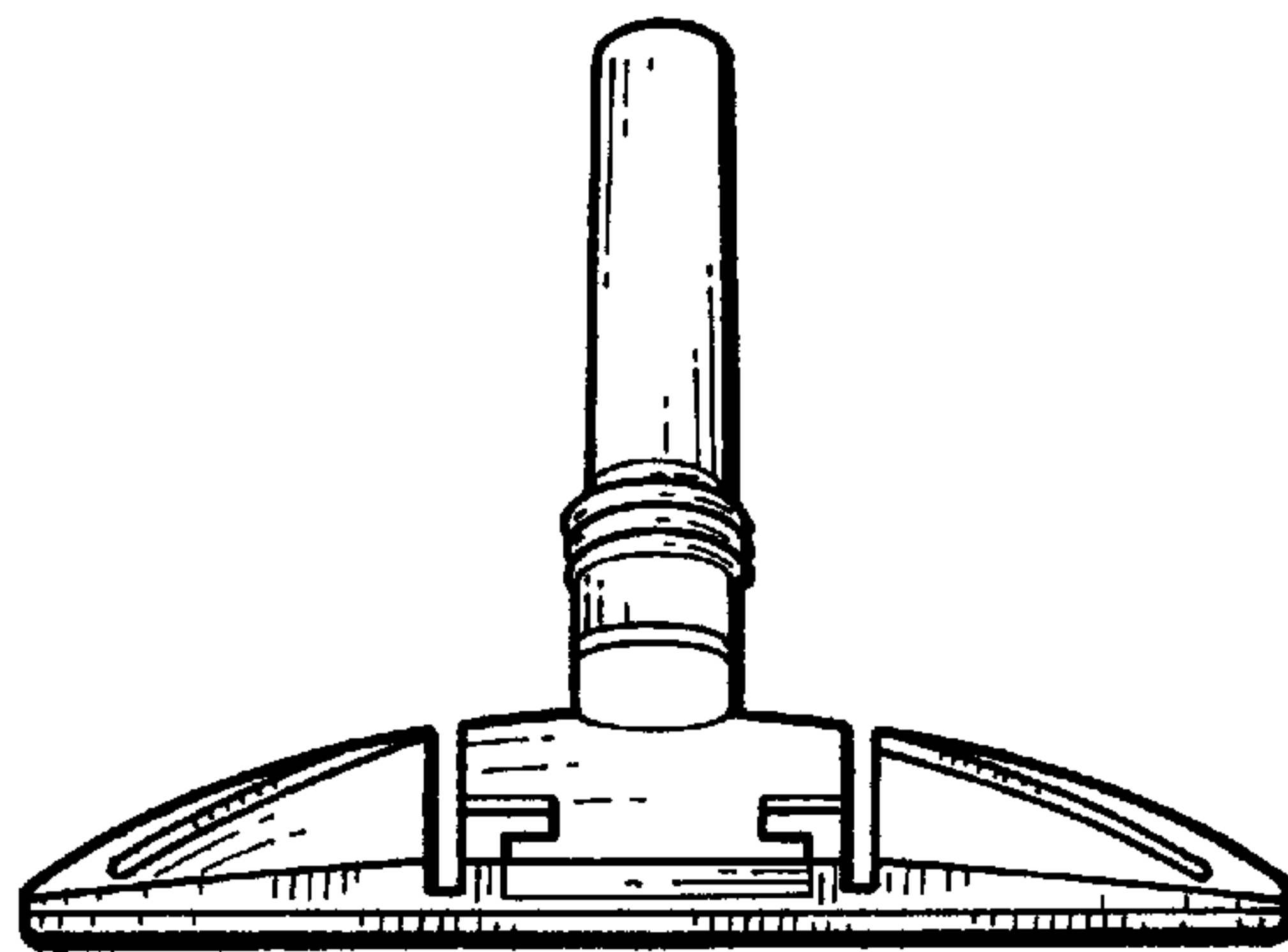


FIG. 1

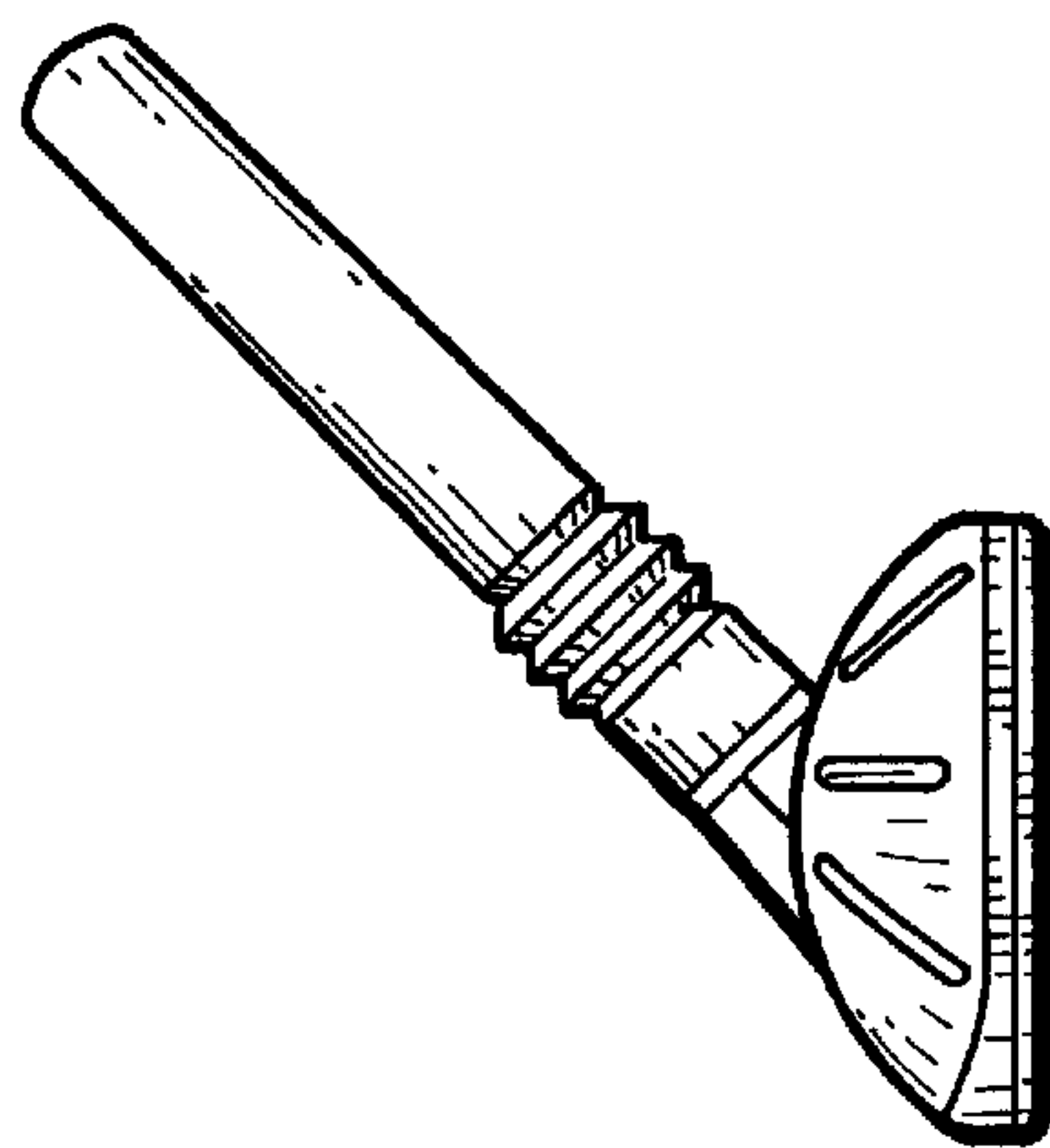


FIG. 4

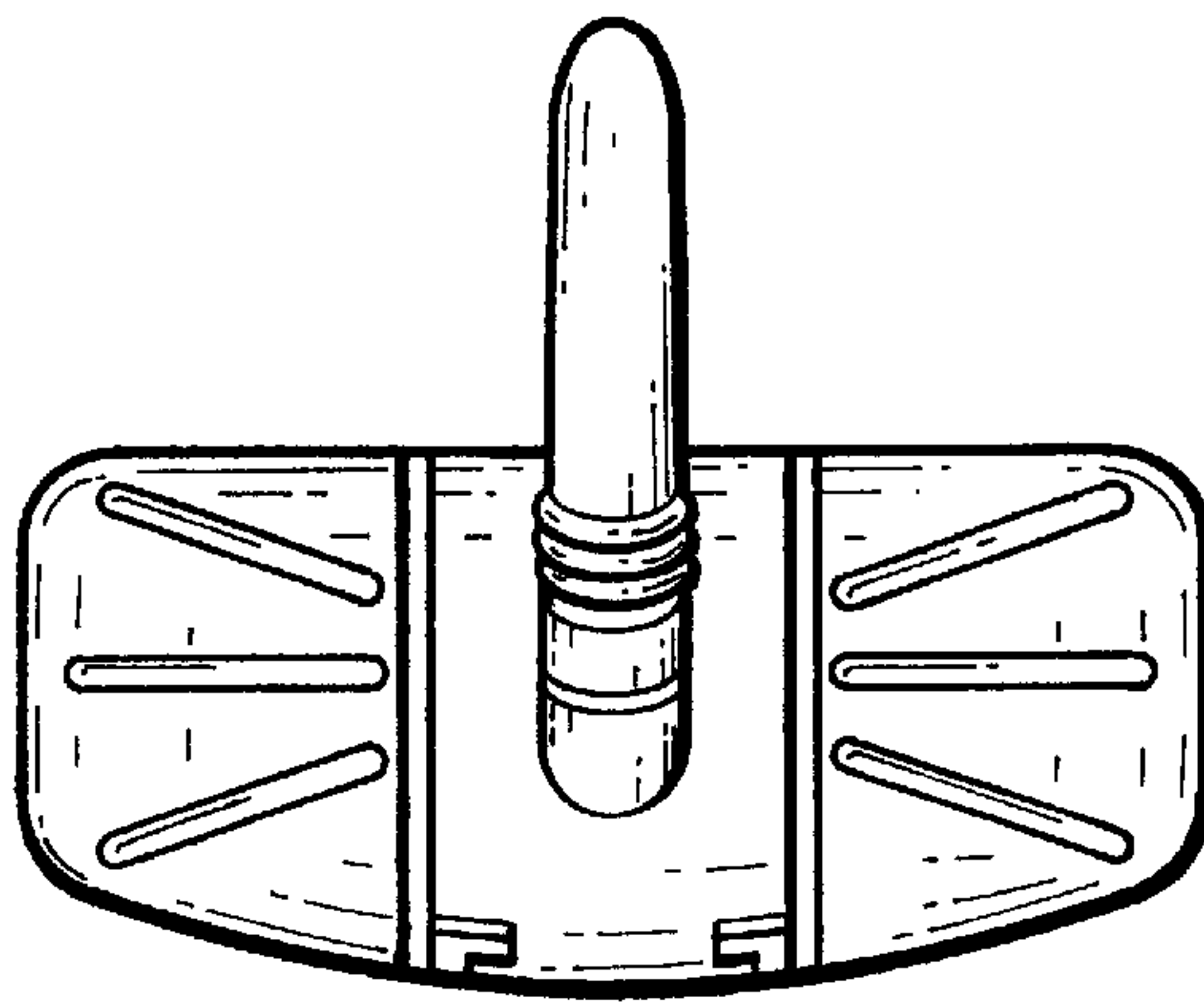


FIG. 2

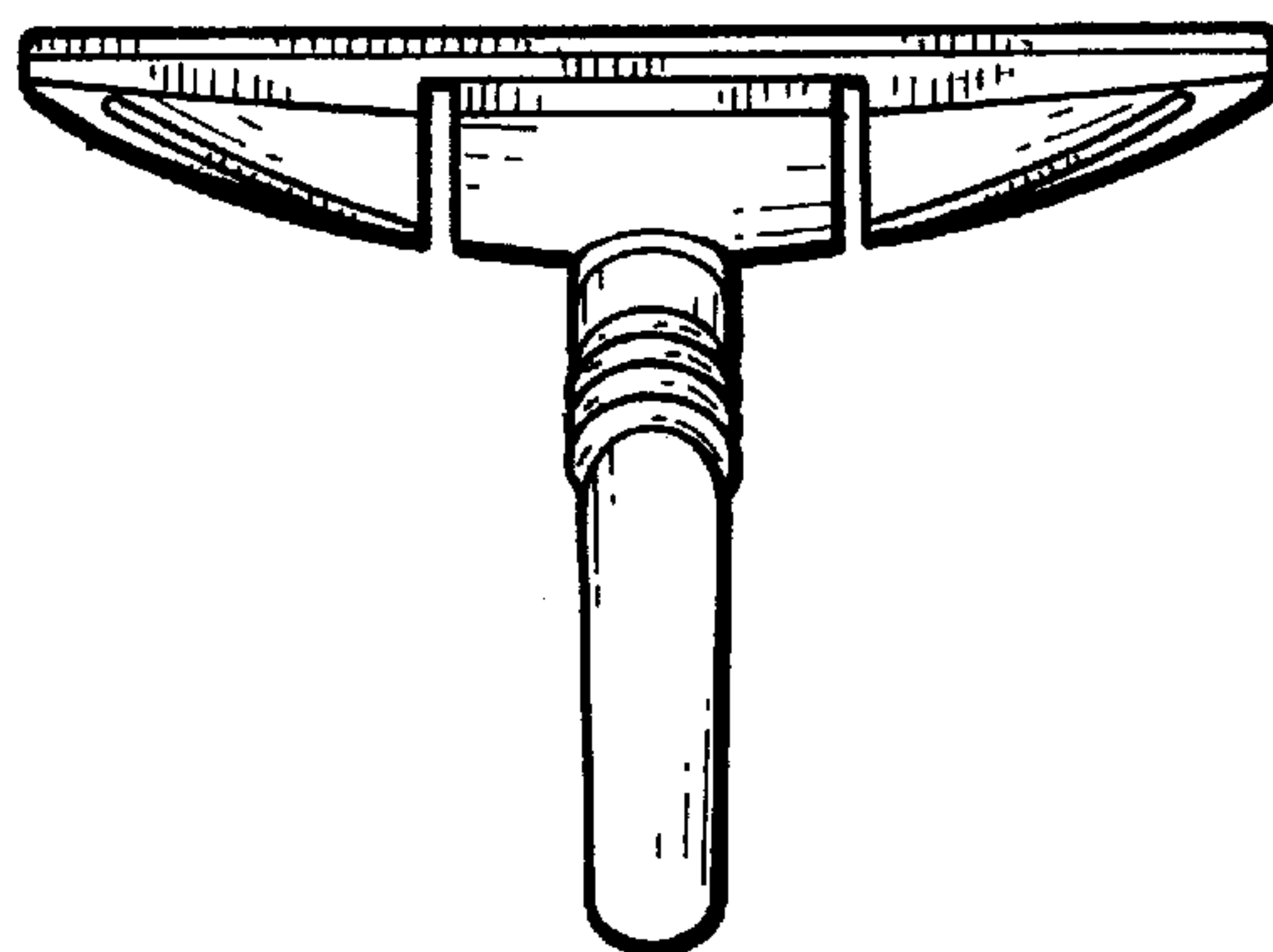


FIG. 3

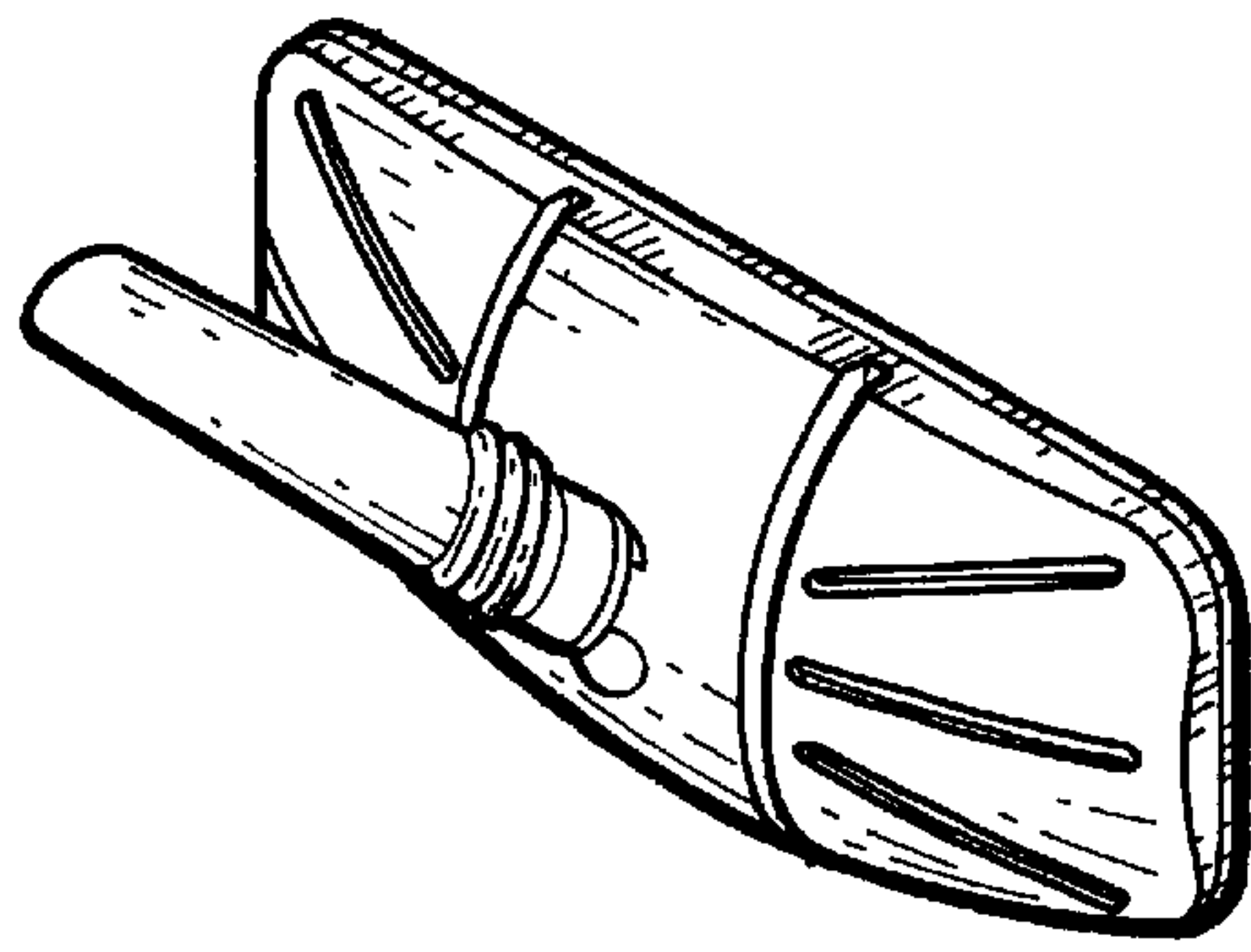


FIG. 5

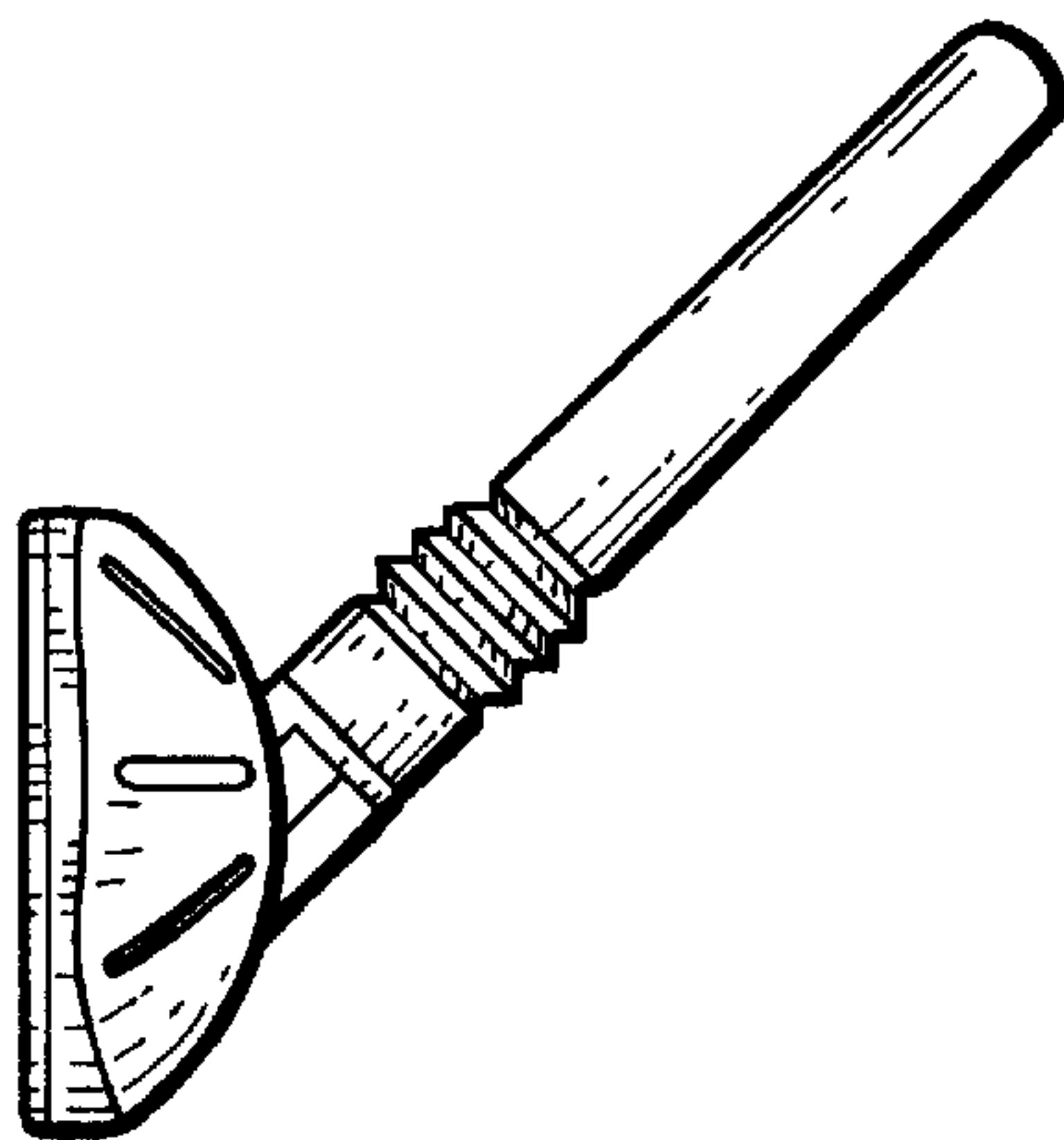


FIG. 7

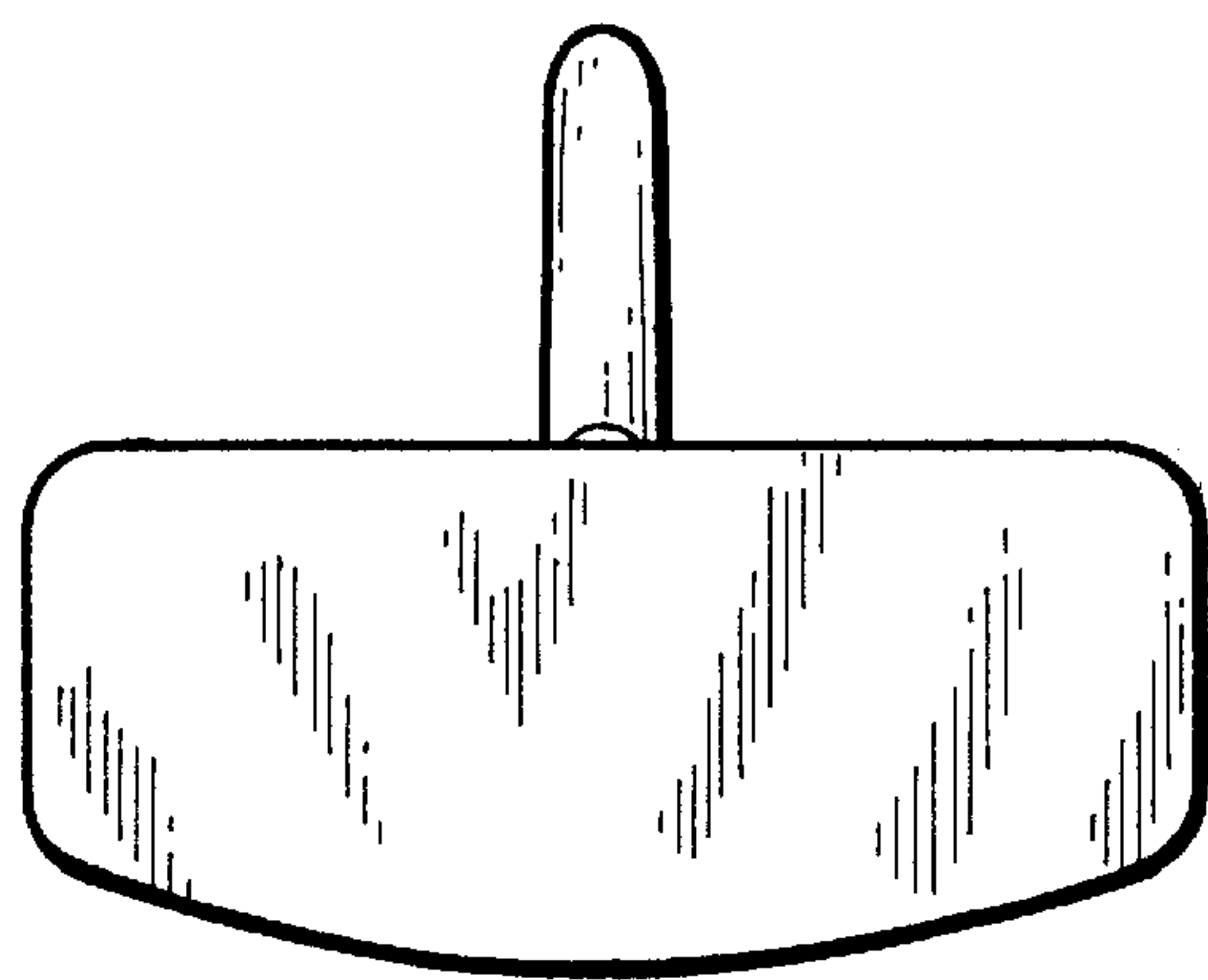


FIG. 8

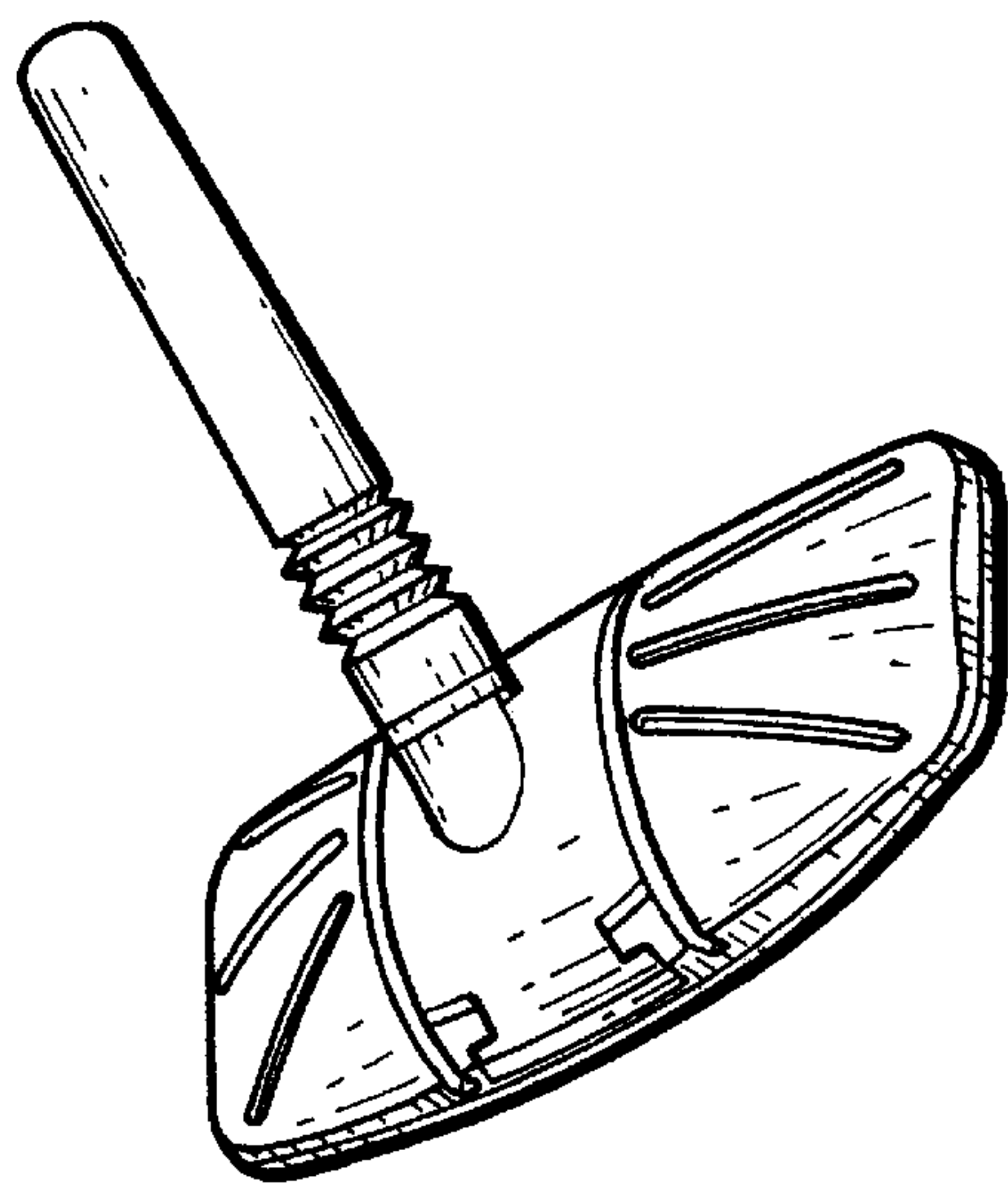


FIG. 8