



US00D427180S

United States Patent [19]

[11] **Patent Number: Des. 427,180**

Humes et al.

[45] **Date of Patent: ** Jun. 27, 2000**

[54] **SURFACE MOUNTED INTEGRATED ANTENNA WITHIN A MOBILE TELEPHONY BASE STATION**

3,016,536 1/1962 Fubini 343/878
3,225,351 12/1965 Chatelain et al. 343/872
5,983,076 11/1999 Takasan et al. 455/562

[75] Inventors: **Michael E. Humes**, Garland; **James S. Brunson**, Dallas; **Hossein Pasvar**, Carrollton, all of Tex.

Primary Examiner—Louis S. Zarfaz
Assistant Examiner—G Andoll
Attorney, Agent, or Firm—John C. Han, Esq.

[73] Assignee: **Samsung Electronics Co., Ltd.**, Rep. of Korea

[57] **CLAIM**

[**] Term: **14 Years**

The ornamental design for the surface mounted integrated antenna within a mobile telephony base station, as shown and described.

[21] Appl. No.: **29/100,549**

DESCRIPTION

[22] Filed: **Feb. 12, 1999**

FIG. 1 is a front perspective view of a surface mounted integrated antenna within a mobile telephony base station showing the design;

[51] **LOC (7) Cl.** **14-03**

[52] **U.S. Cl.** **D14/230**

FIG. 2 is a front elevational view thereof;

[58] **Field of Search** D14/230-238,

D14/240, 299; 343/702, 901, 720, 713, 714, 795, 765, 840, 872, 878, 879; 455/90, 347, 128, 562; D15/199

FIG. 3 is a bottom plan view thereof;

FIG. 4 is a left elevation view thereof;

FIG. 5 is a top plan view thereof;

FIG. 6 is a right elevation thereof; and,

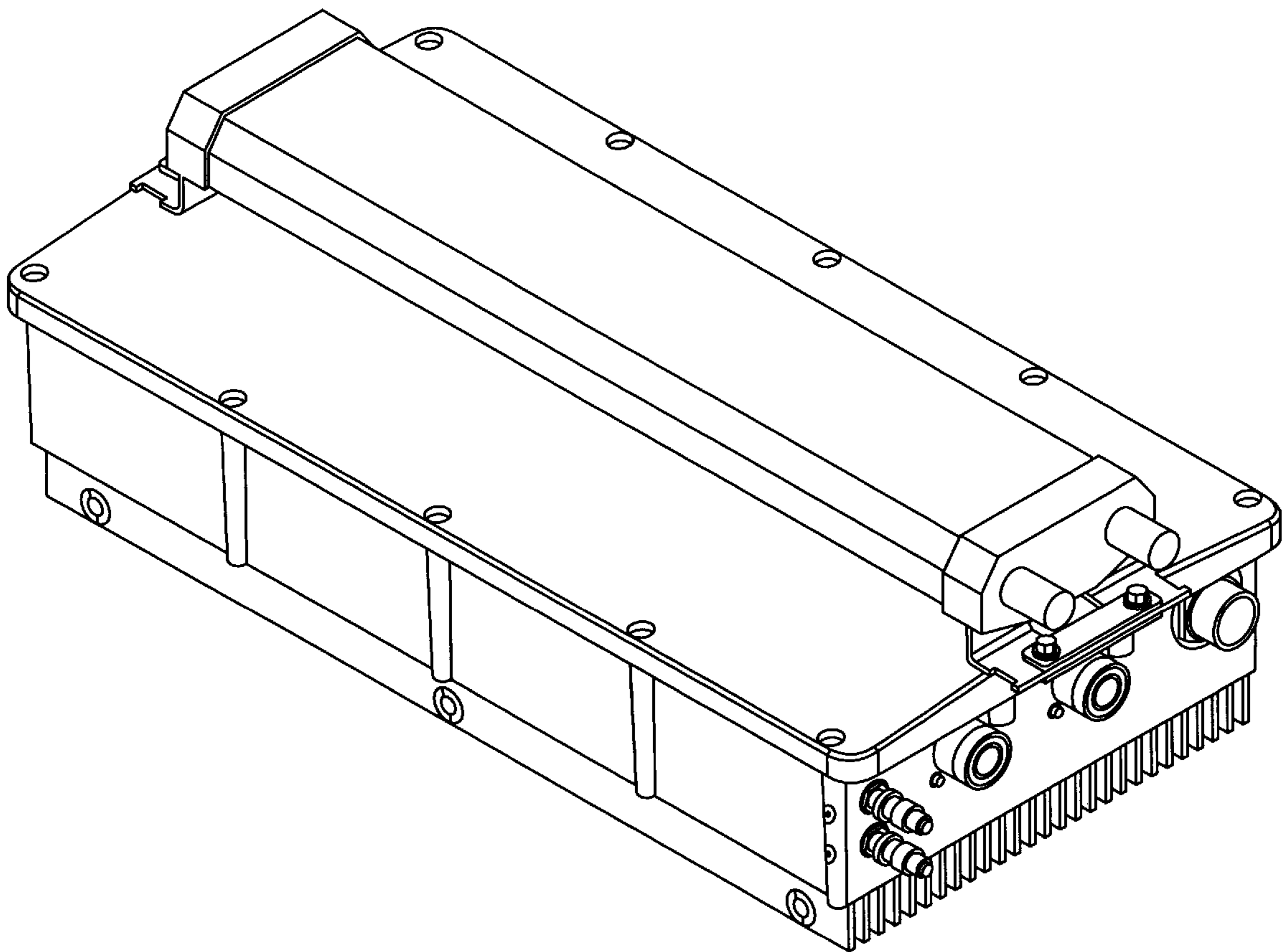
FIG. 7 is a bottom perspective thereof.

[56] **References Cited**

U.S. PATENT DOCUMENTS

D. 396,724 8/1998 Herbst et al. D14/230

1 Claim, 5 Drawing Sheets



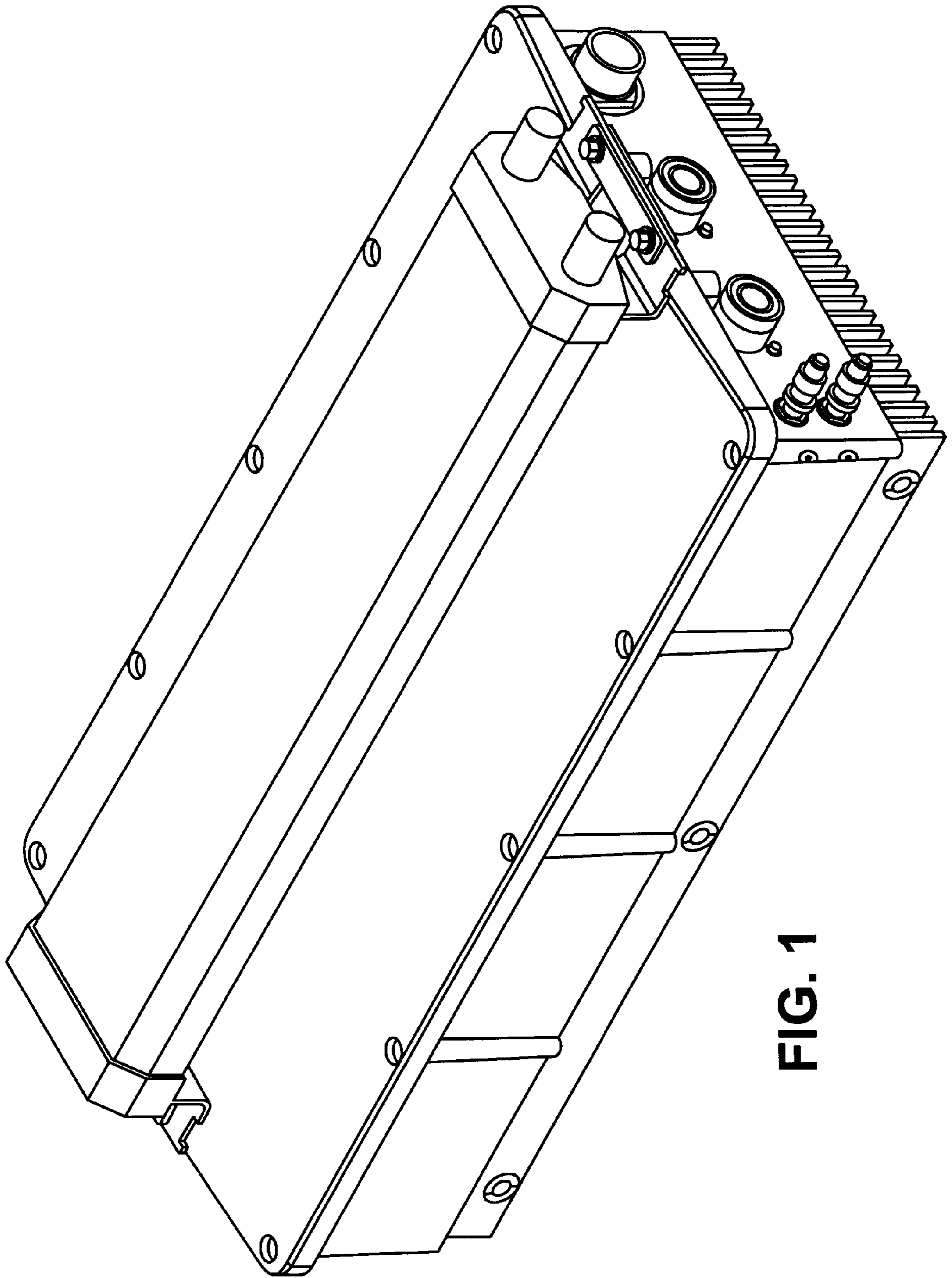


FIG. 1

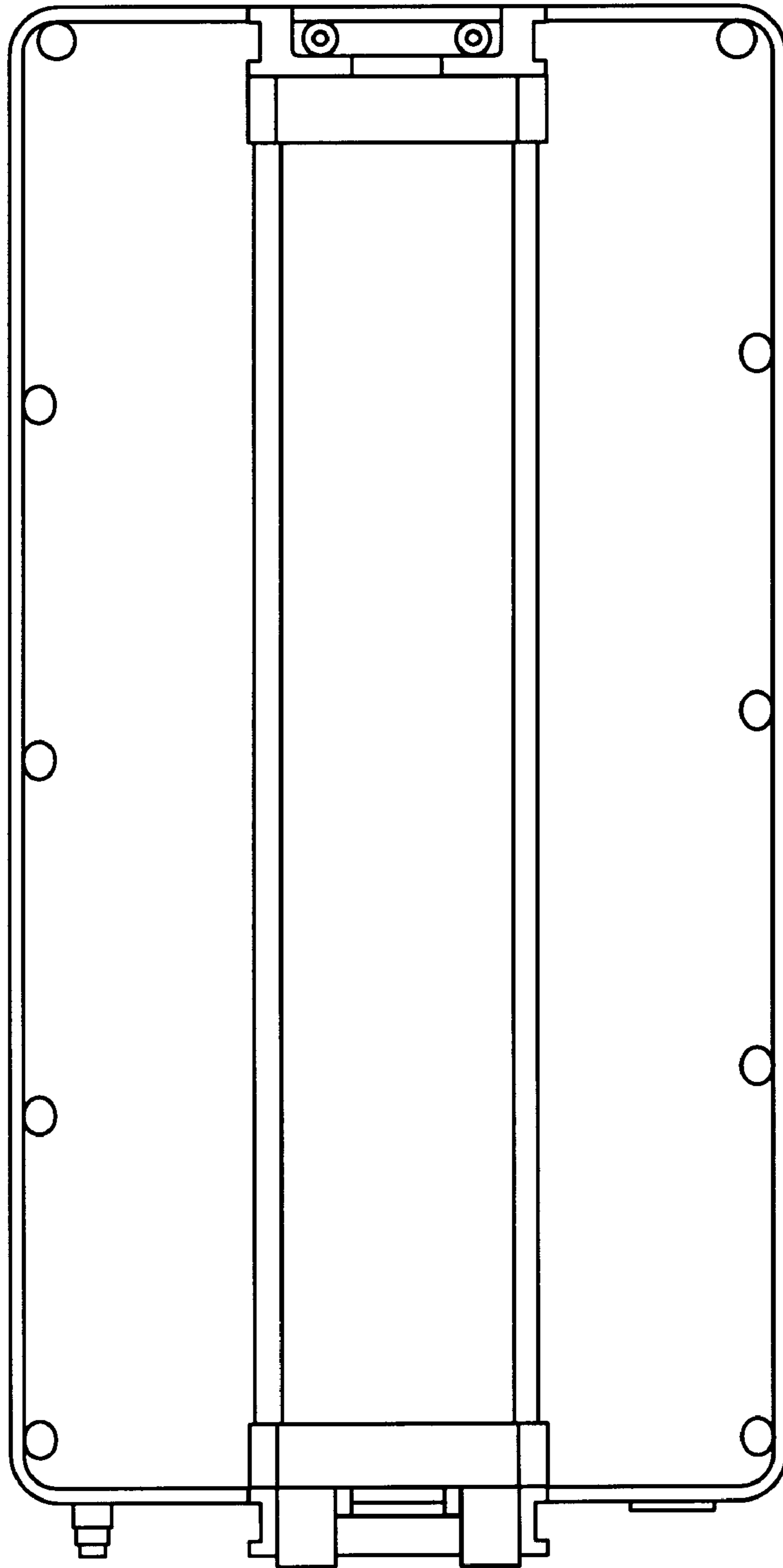


FIG. 2

FIG. 3

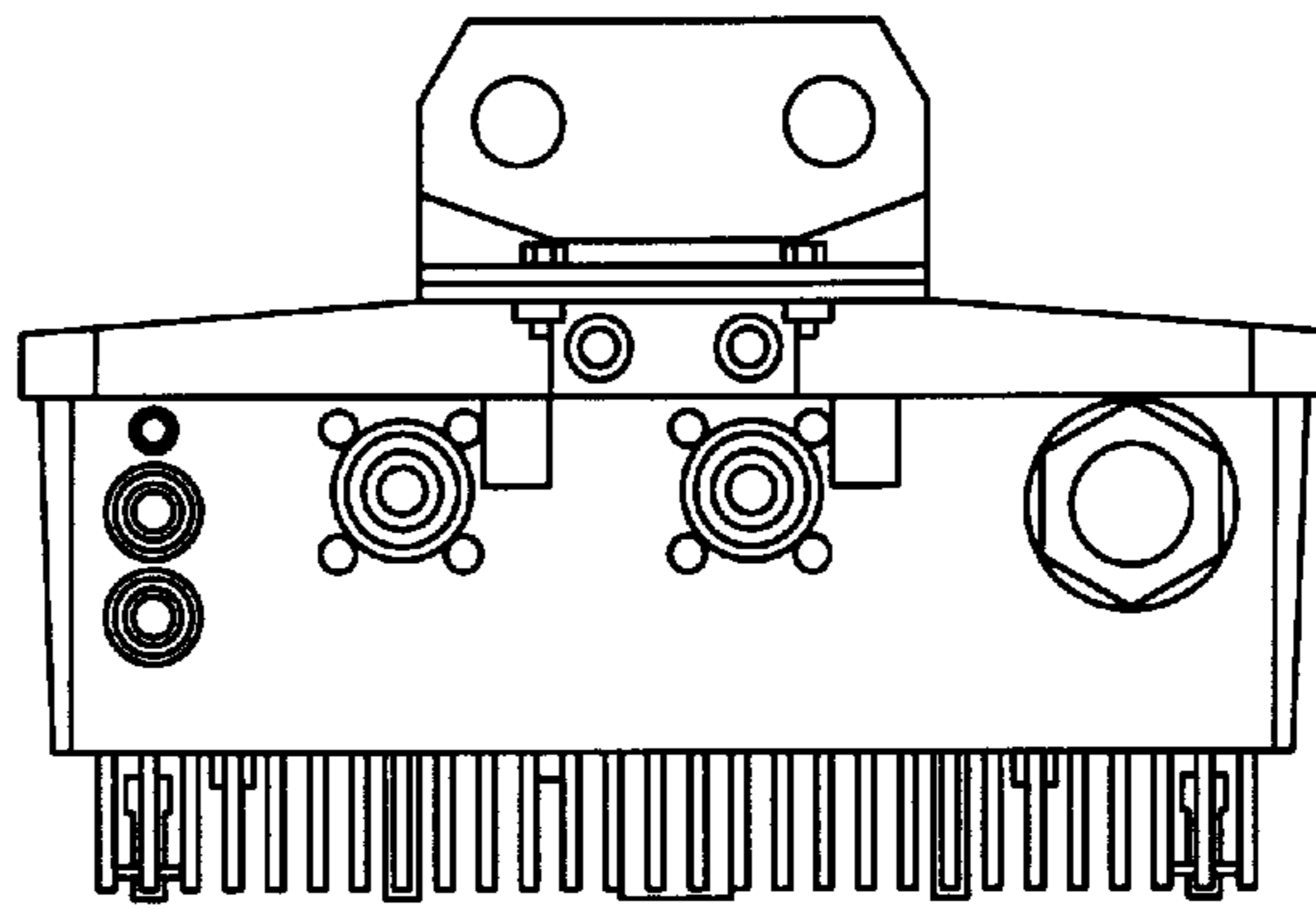


FIG. 4

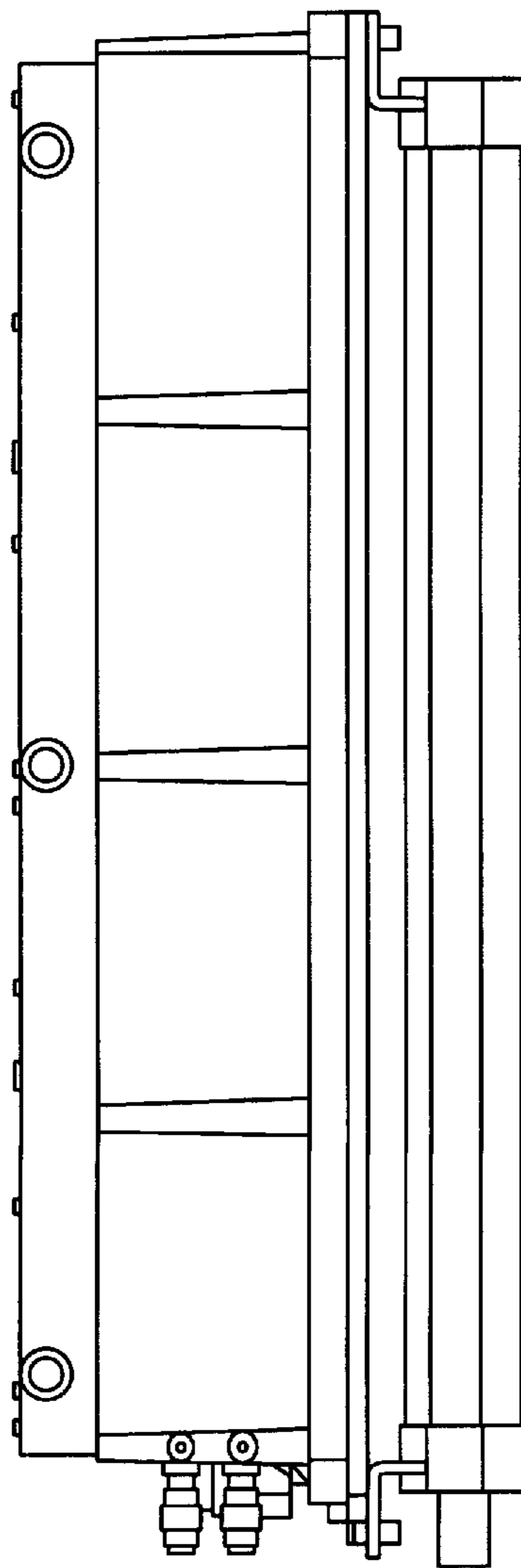


FIG. 5

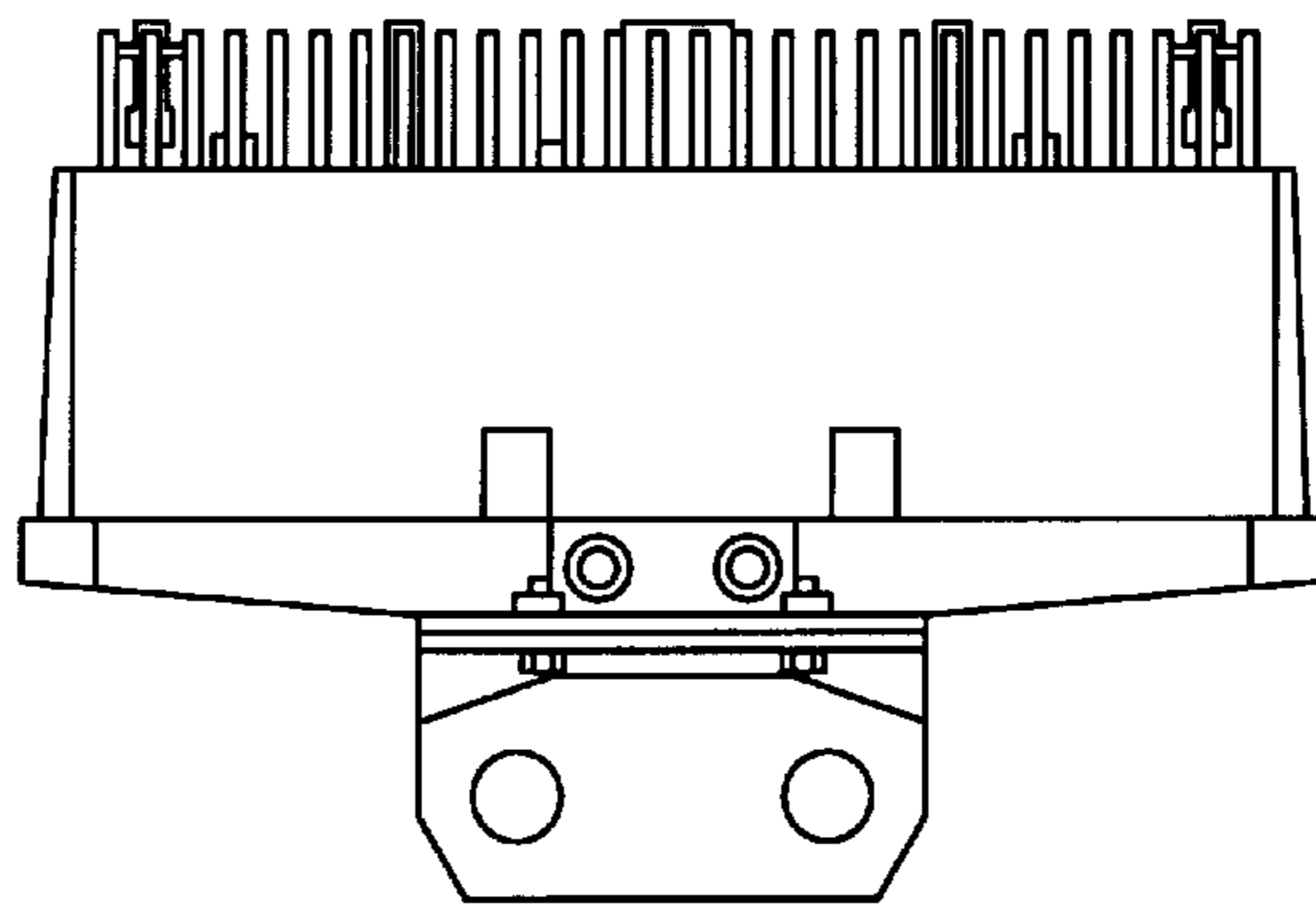
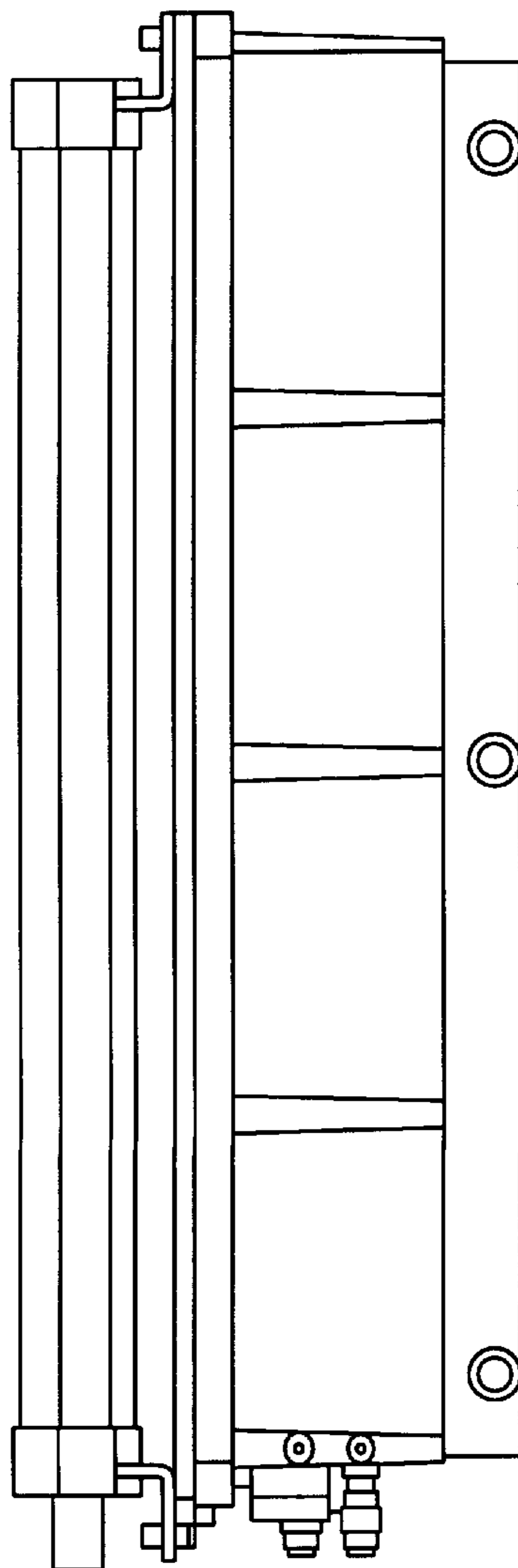


FIG. 6



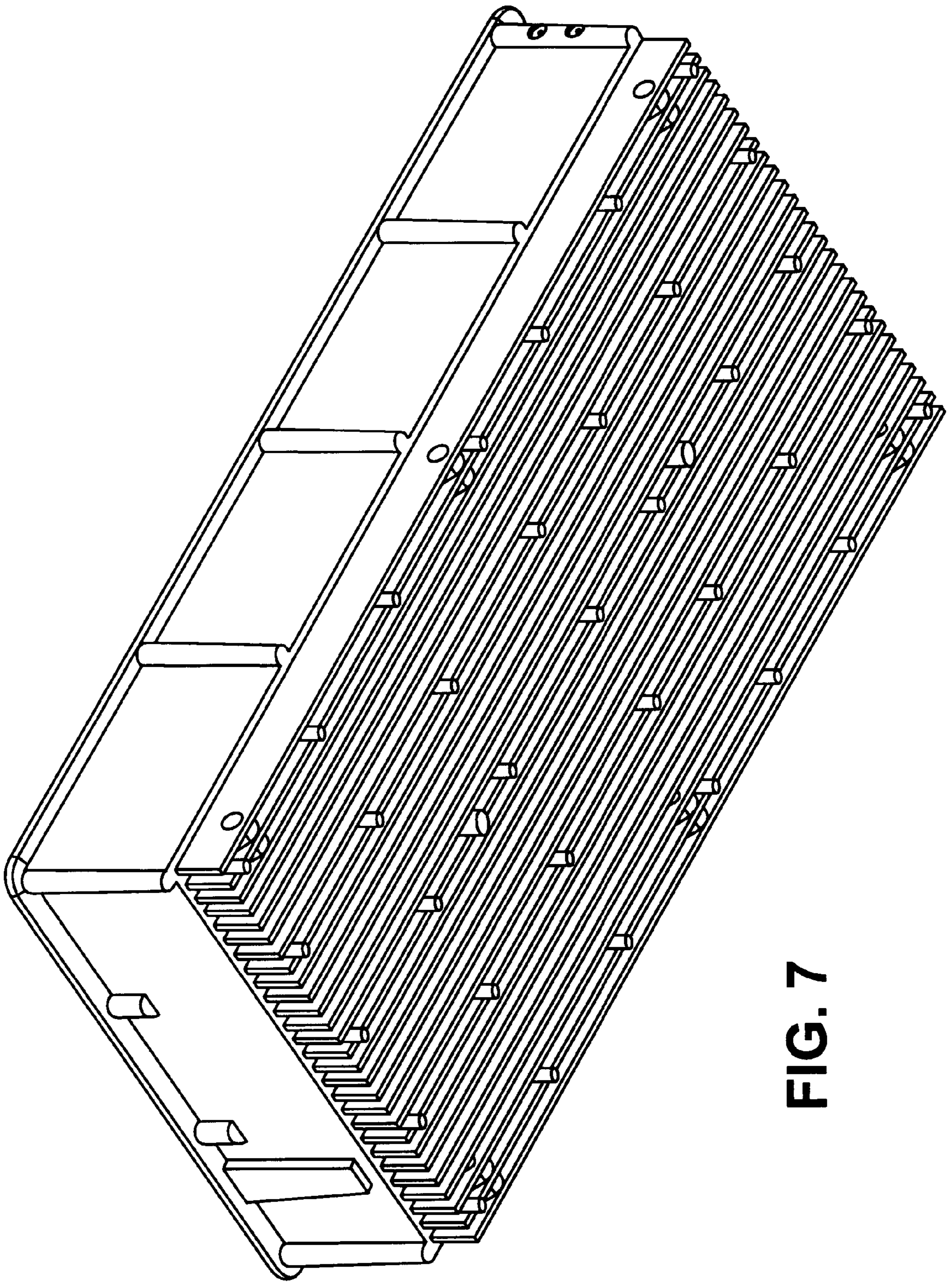


FIG. 7