



US00D427174S

United States Patent [19]

[11] **Patent Number: Des. 427,174**

Jauregui et al.

[45] **Date of Patent: ** Jun. 27, 2000**

[54] **TELEPHONE**

[75] Inventors: **Mario E. Jauregui**, San Bruno; **Gloria I. Scamons**, San Jose; **Ronald S. Lesniak**, Santa Cruz, all of Calif.

[73] Assignee: **Teledex Corporation**, San Jose, Calif.

[**] Term: **14 Years**

[21] Appl. No.: **29/099,838**

[22] Filed: **Jan. 28, 1999**

[51] **LOC (7) Cl.** **14-03**

[52] **U.S. Cl.** **D14/151**

[58] **Field of Search** D14/137, 138, D14/148, 147, 149-151, 140-142, 240, 241, 144; 379/433-436, 419, 420, 428, 440

[56] **References Cited**

U.S. PATENT DOCUMENTS

D. 287,852	1/1987	Brown et al.	D14/151
D. 293,104	12/1987	Maliskas	D14/151
D. 295,623	5/1988	Gilberton	D14/151
D. 297,935	10/1988	Kurosu et al.	D14/151
D. 299,228	1/1989	Kurosu et al.	D14/141
D. 303,386	9/1989	Iino	D14/142
D. 305,025	12/1989	Masaaki	D14/151
D. 307,426	4/1990	Ohta et al.	D14/142
D. 307,430	4/1990	Desbarats	D14/151
D. 308,059	5/1990	Desbarats	D14/151
D. 312,458	11/1990	Suzuki	D14/144
D. 316,857	5/1991	Park	D14/138
D. 322,786	12/1991	Wu	D14/151
D. 334,932	4/1993	Yu	D14/151
D. 389,144	1/1998	Hua	D14/151
D. 395,308	6/1998	Yoneyama	D14/151
D. 406,842	3/1999	Zeitman	D14/151
4,292,474	9/1981	Morrell et al.	..	

Primary Examiner—Jeffrey Asch
Attorney, Agent, or Firm—Burns Doane Swecker & Mathis L.L.P.

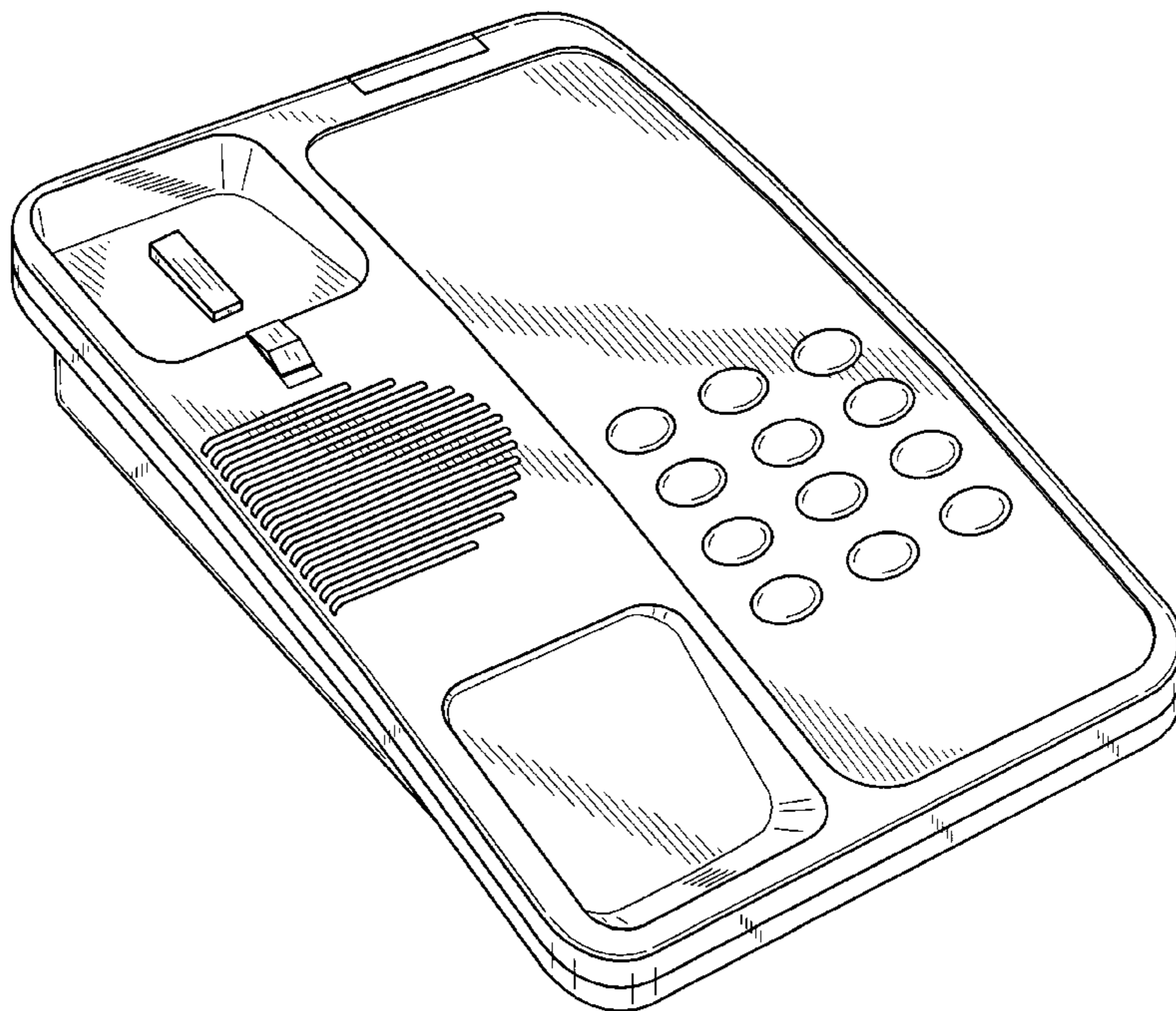
[57] **CLAIM**

The ornamental design for a telephone, as shown and described.

DESCRIPTION

FIG. 1 is a perspective view of the telephone showing our new design;
 FIG. 2 is a perspective view thereof;
 FIG. 3 is a top view thereof;
 FIG. 4 is a right side view thereof, with a bottom support positioned for supporting the telephone on a wall;
 FIG. 5 is a left side view thereof, with the bottom support positioned for supporting the telephone on a wall;
 FIG. 6 is a front view thereof, with the bottom support positioned for supporting the telephone on a wall;
 FIG. 7 is a rear view thereof, with the bottom support positioned for supporting the telephone on a wall;
 FIG. 8 is a bottom view thereof, with the bottom support positioned for supporting the telephone on a wall;
 FIG. 9 is a right side view thereof, with the bottom support position for supporting the telephone on a table; and
 FIG. 10 is a left side view thereof, with the bottom support positioned for supporting the telephone on a table;
 FIG. 11 is a front view thereof, with the bottom support position for supporting the telephone on a table;
 FIG. 12 is a rear view thereof, with the bottom support positioned for supporting the telephone on a table; and,
 FIG. 13 is a bottom view thereof, with the bottom support positioned for supporting the telephone on a table.
 The broken line showings throughout the views are for illustrative purposes only and form no part of the claimed design.

1 Claim, 9 Drawing Sheets



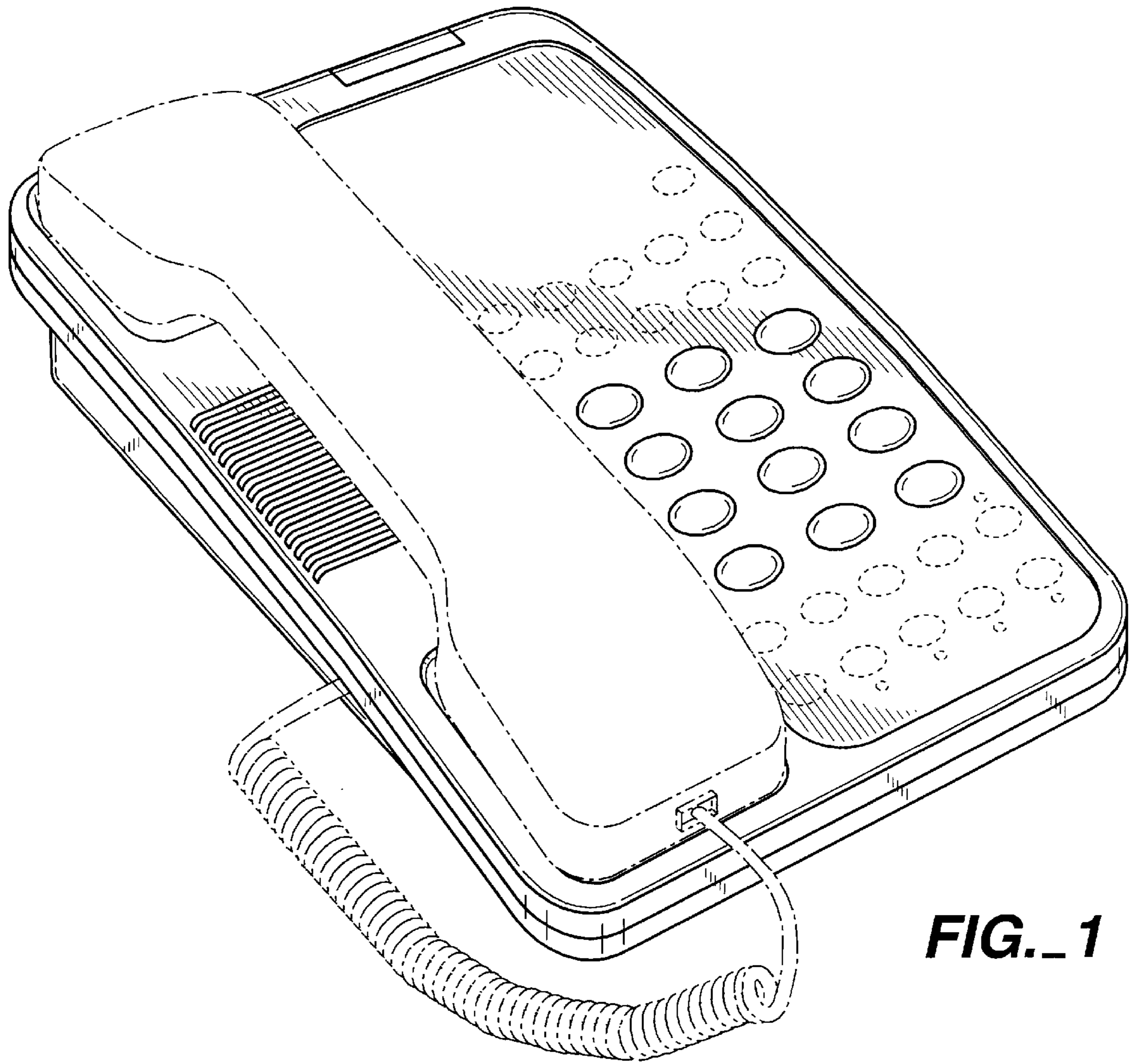


FIG. 1

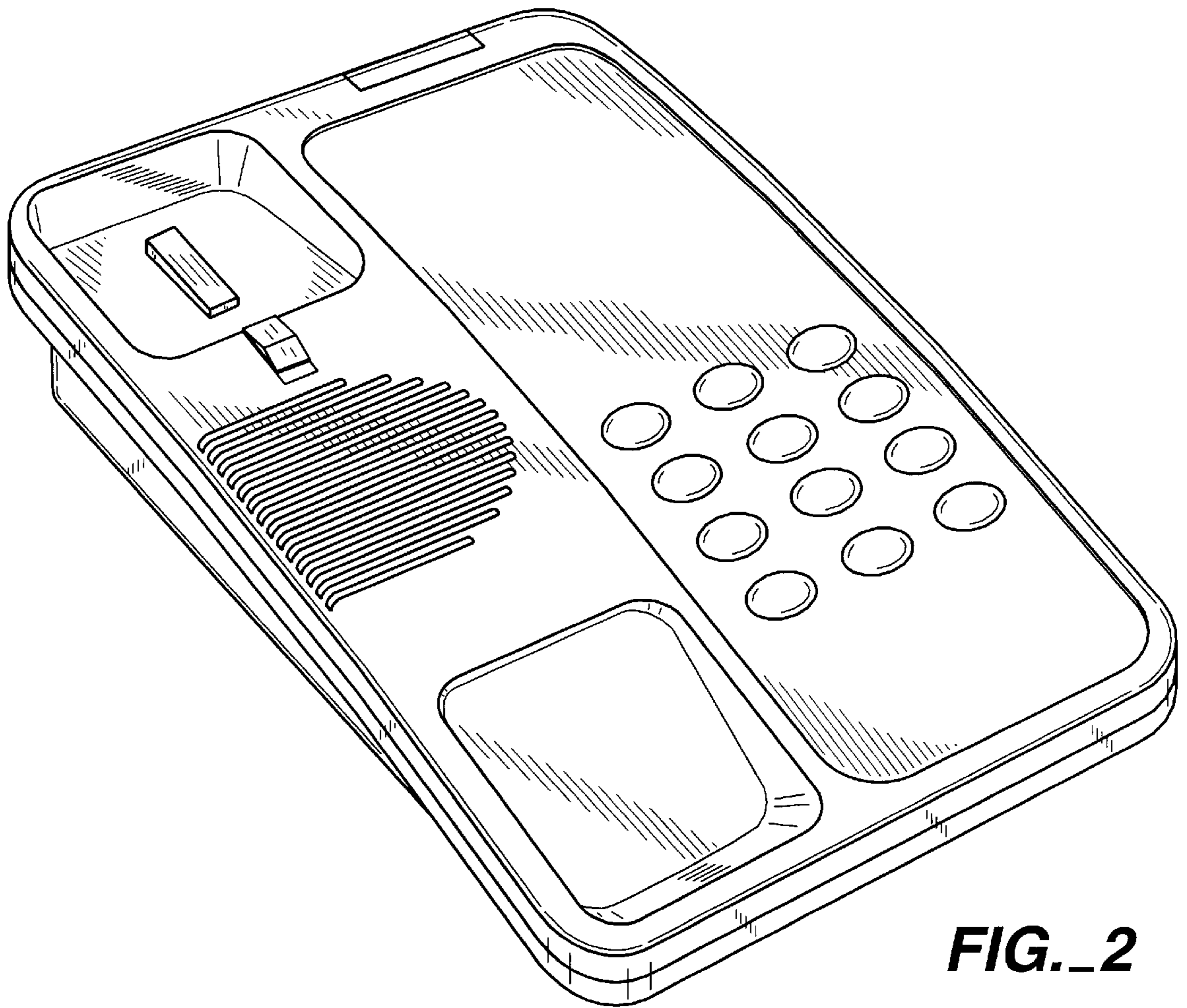


FIG. 2

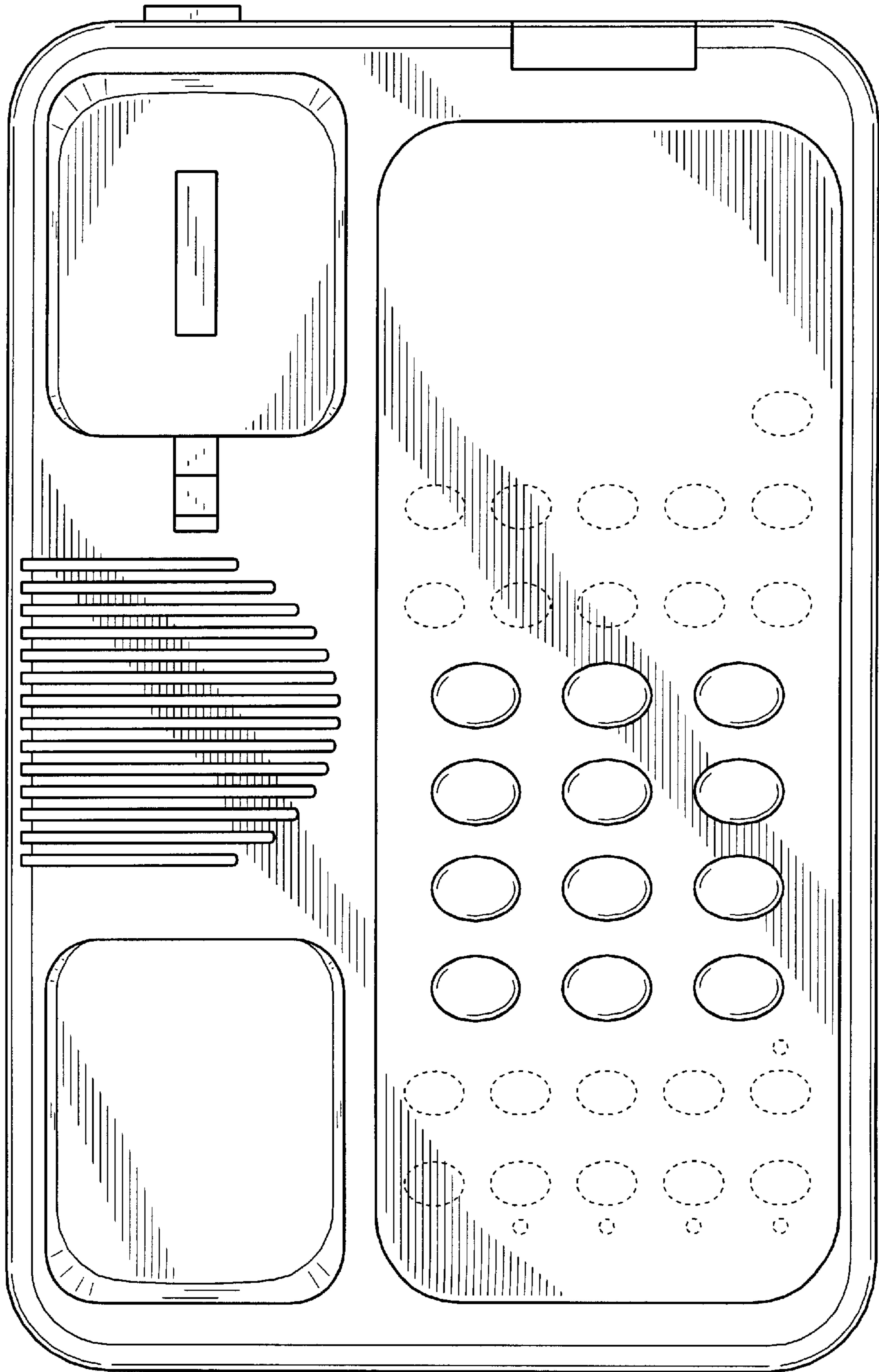


FIG. 3

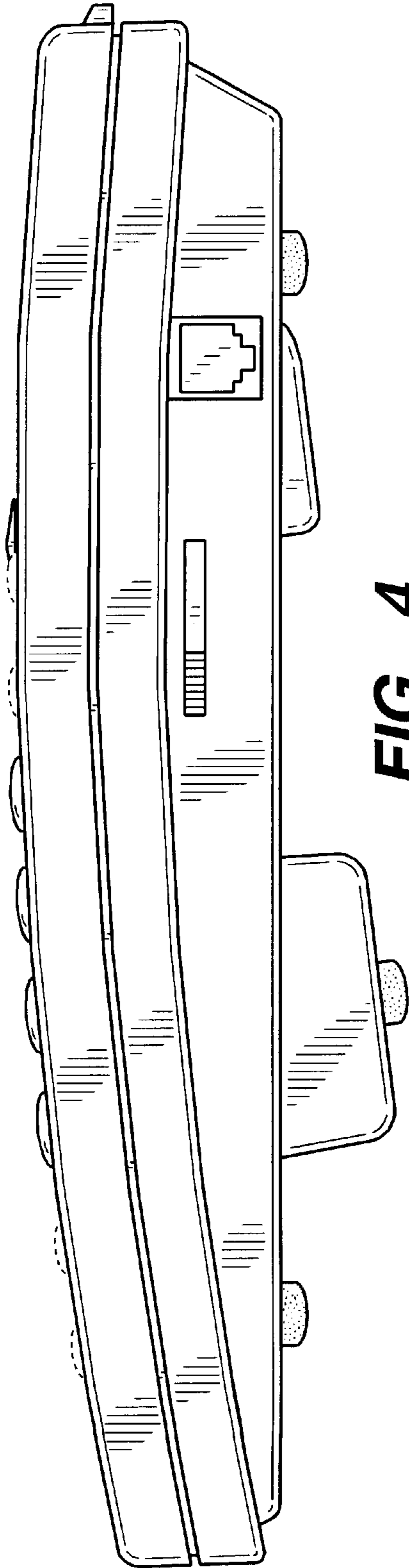


FIG. 4

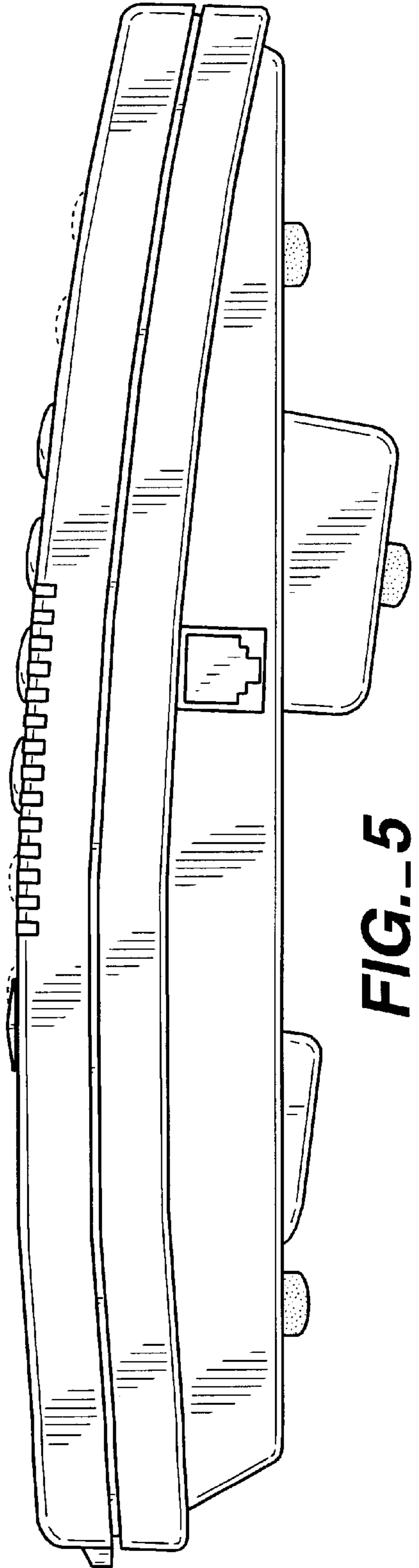


FIG. 5

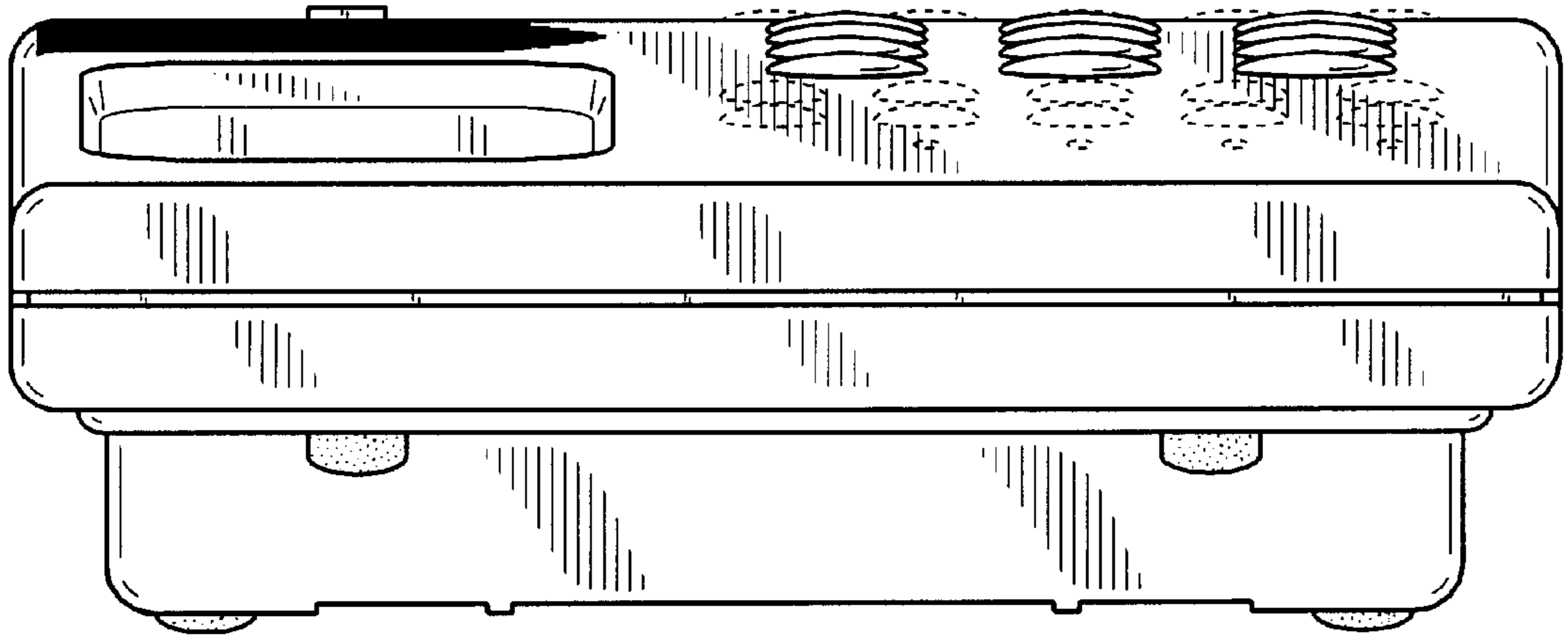


FIG. 6

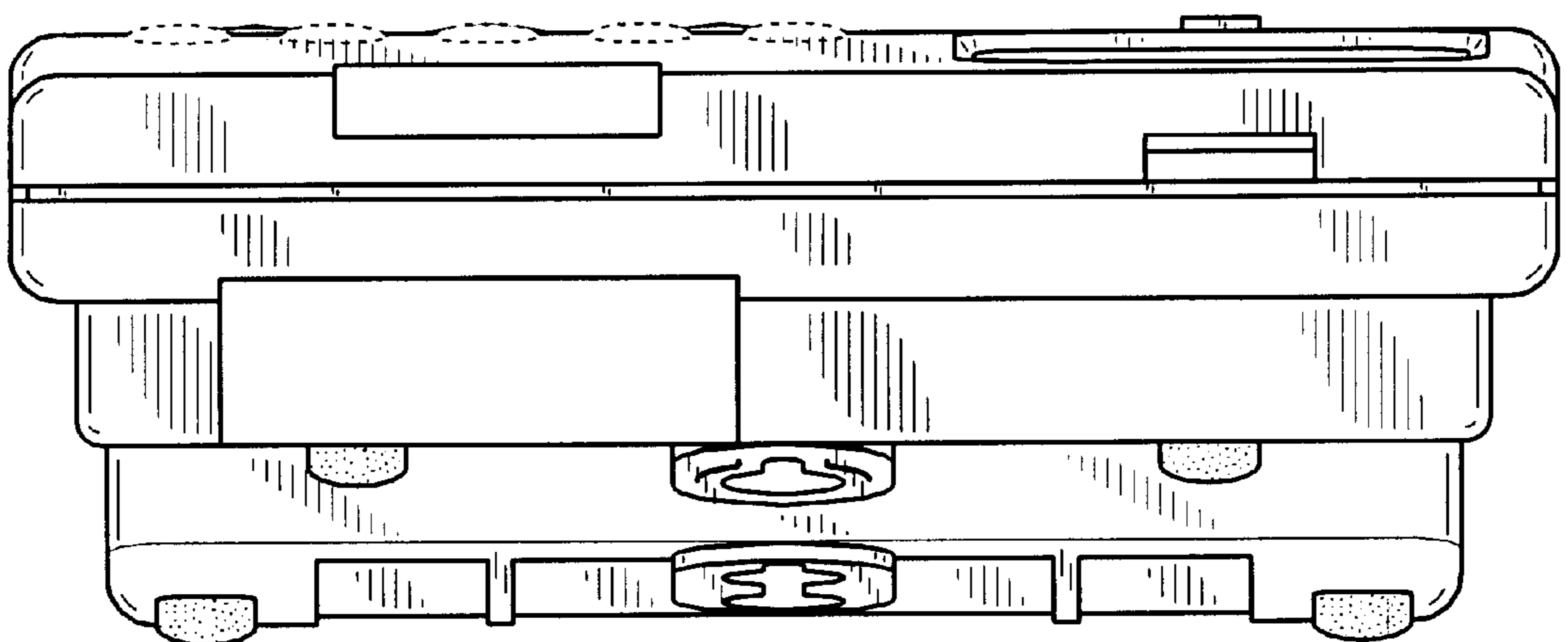


FIG. 7

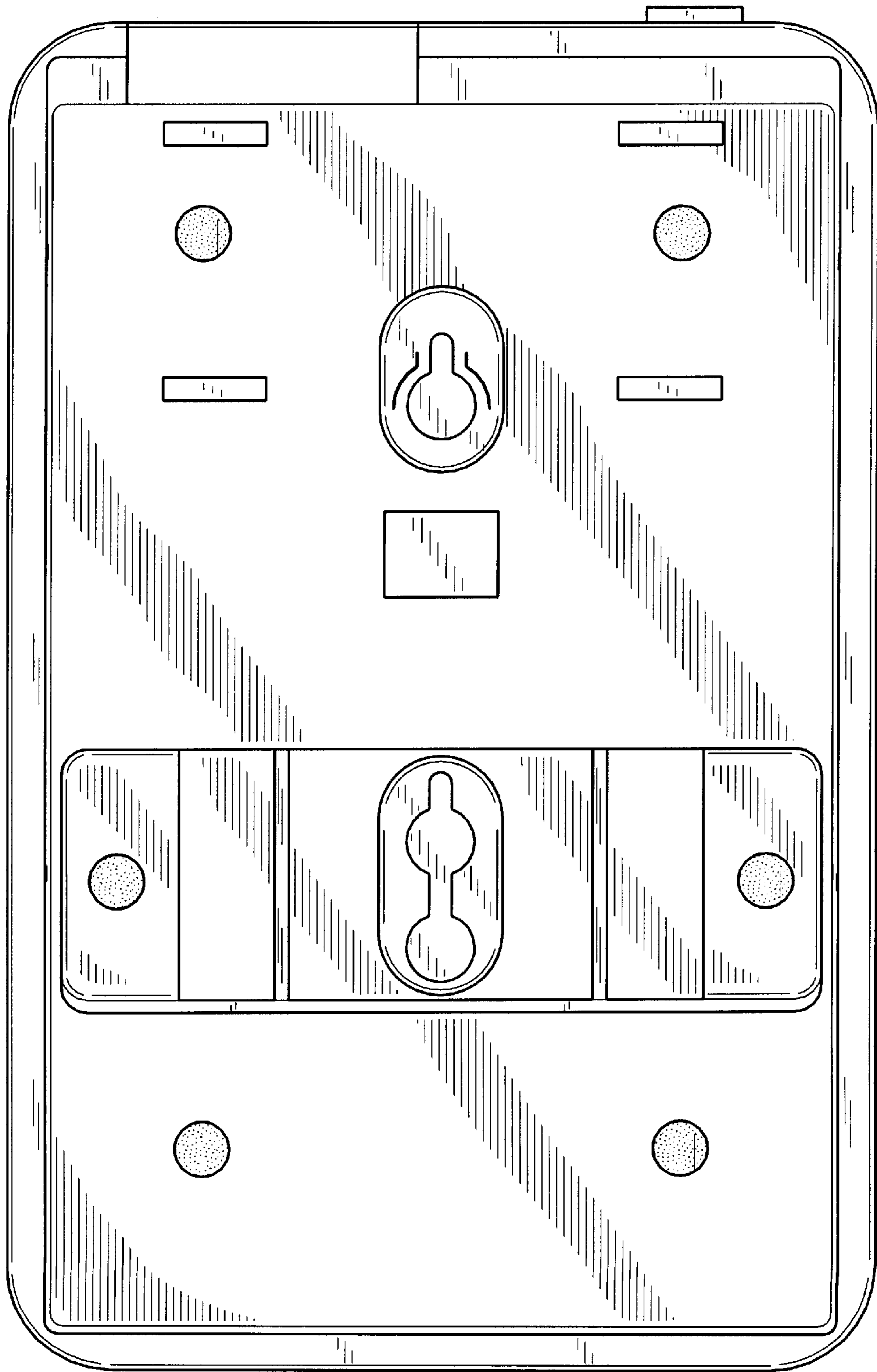


FIG._8

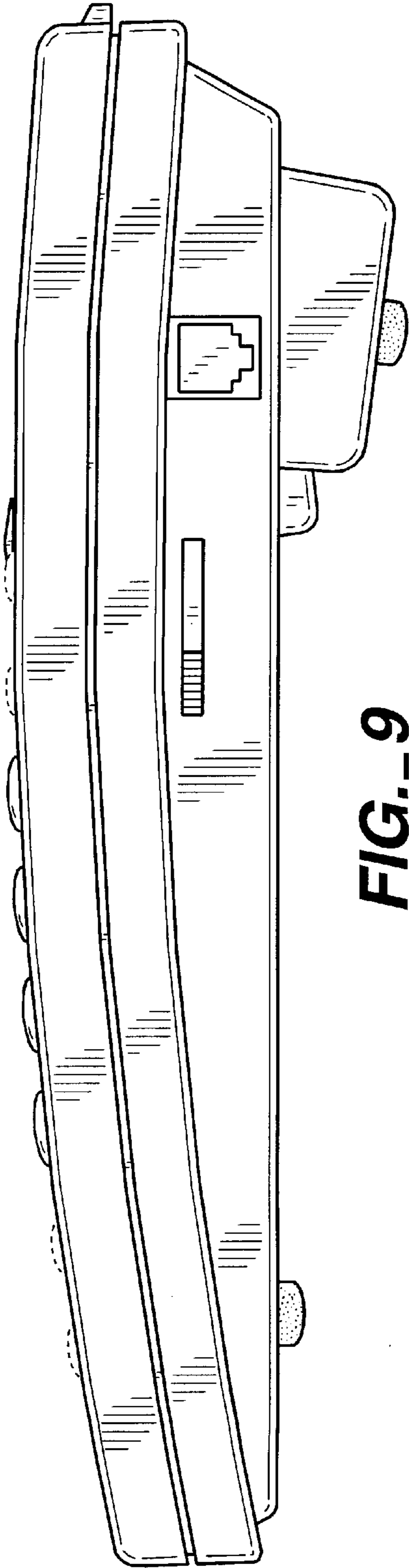


FIG. 9

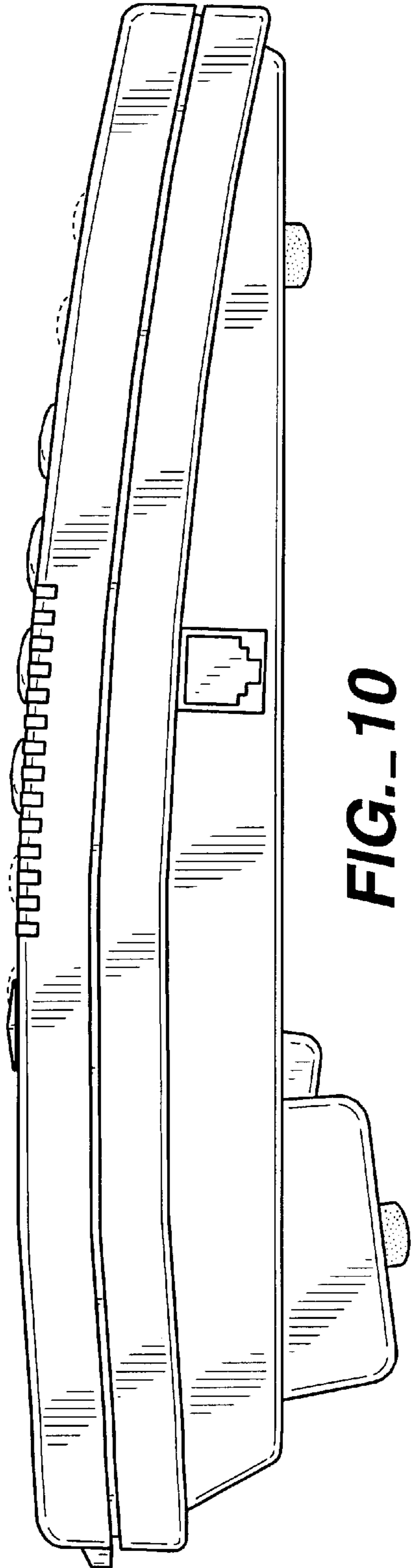


FIG. 10

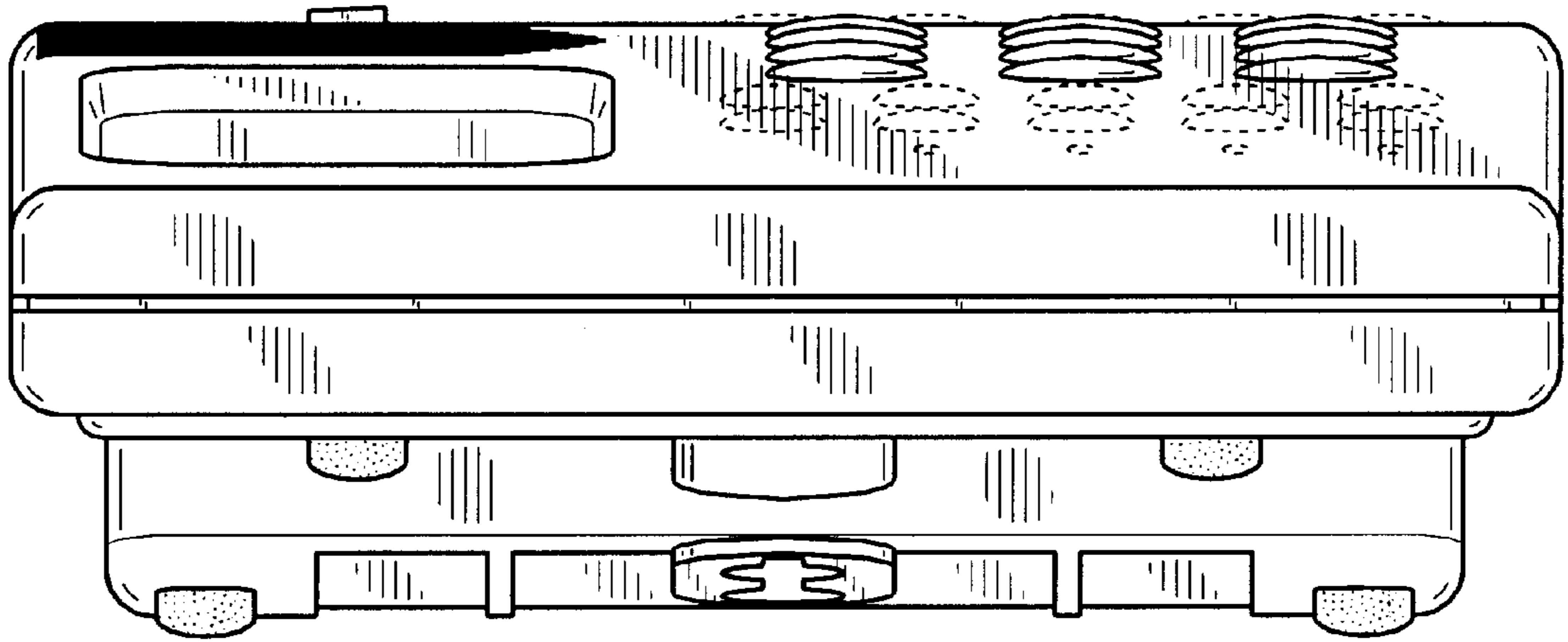


FIG. 11

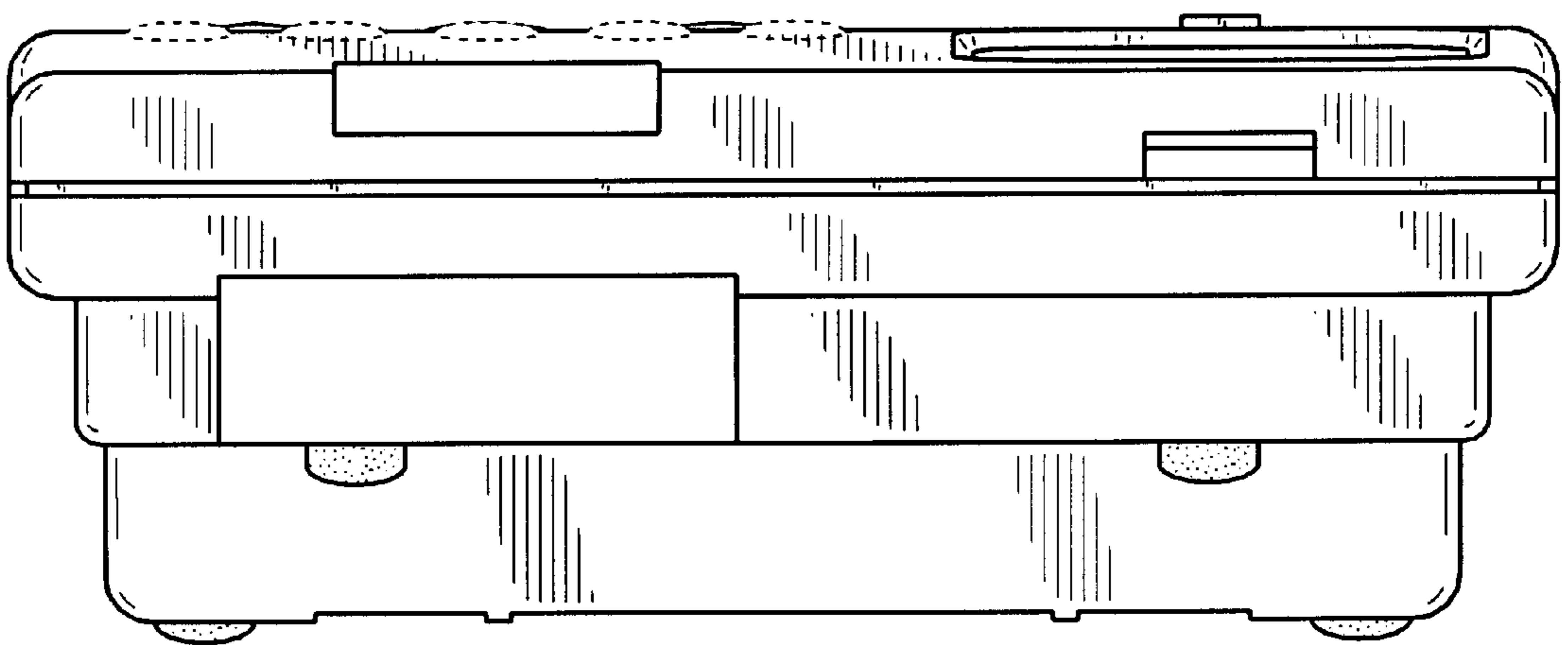


FIG. 12

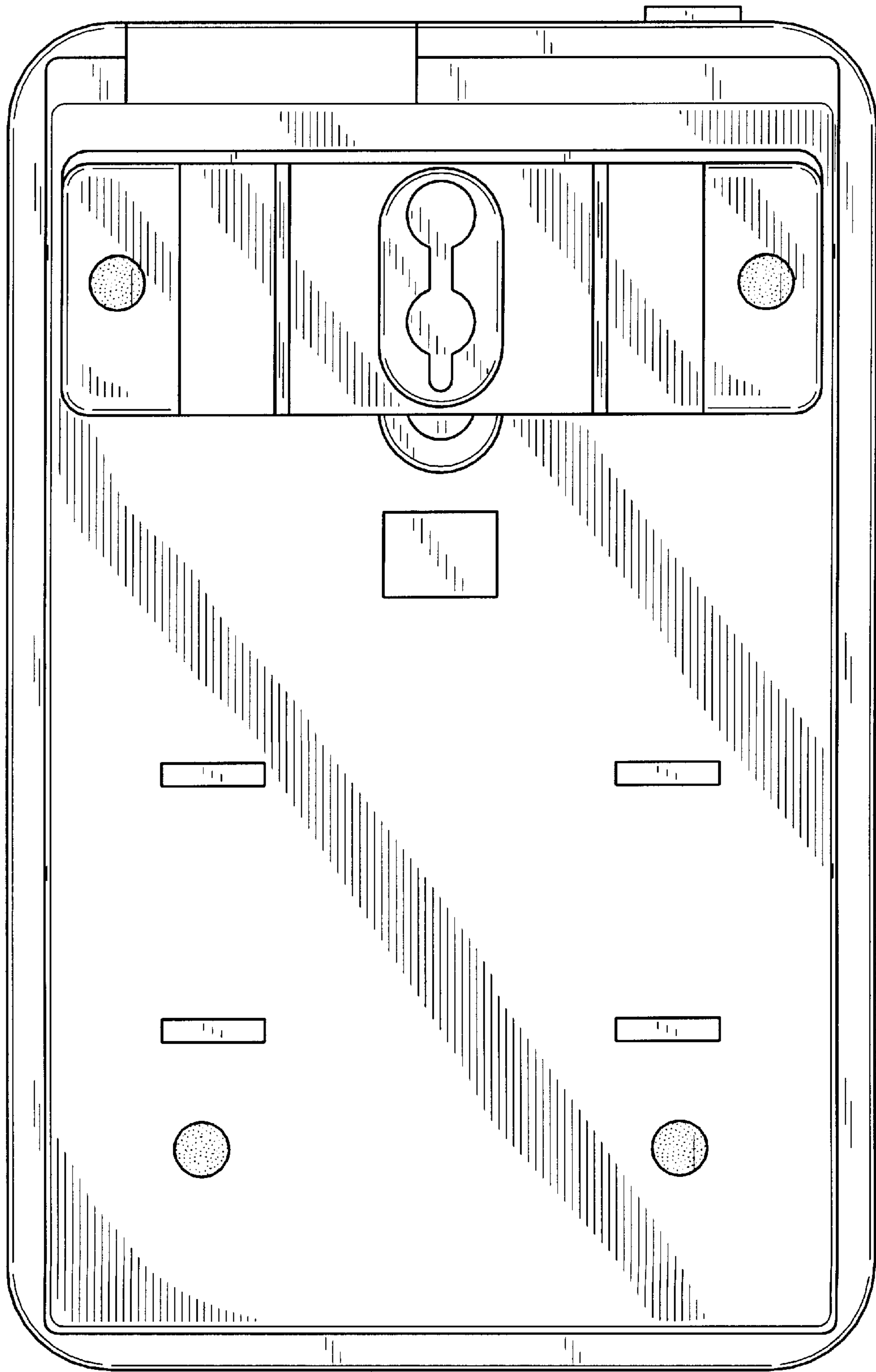


FIG. 13

UNITED STATES PATENT AND TRADEMARK OFFICE
CERTIFICATE OF CORRECTION

PATENT NO. : Des. 427,174
APPLICATION NO. : 29/099838
DATED : June 27, 2000
INVENTOR(S) : Mario E. Jauregui

Page 1 of 1

It is certified that error appears in the above-identified patent and that said Letters Patent is hereby corrected as shown below:

Title Page -
In Section [75] Inventors, replace "Scamons" with --Seamons--.

Signed and Sealed this

Seventeenth Day of July, 2007

A handwritten signature in black ink on a light gray dotted background. The signature reads "Jon W. Dudas" in a cursive style.

JON W. DUDAS

Director of the United States Patent and Trademark Office