



US00D427165S

United States Patent [19]
Knoblauch

[11] **Patent Number: Des. 427,165**
[45] **Date of Patent: ** Jun. 27, 2000**

[54] **KEYBOARD AND MOUSE TRAY**
[75] Inventor: **Michael F. Knoblauch**, Cleveland Heights, Ohio
[73] Assignee: **Decorative Veneer, Inc.**, Cleveland, Ohio
[**] Term: **14 Years**
[21] Appl. No.: **29/110,321**
[22] Filed: **Sep. 3, 1999**
[51] **LOC (7) Cl.** **14-02**
[52] **U.S. Cl.** **D14/114; D14/115**
[58] **Field of Search** D14/100, 114, D14/115; D6/429-431, 449, 474, 509, 510; 248/447, 452, 457, 918, 912, 442.2, 442.1, 448; D18/1, 7, 9, 11; 400/713, 714, 718, 715; 361/683

[56] **References Cited**
U.S. PATENT DOCUMENTS
D. 392,955 3/1998 Wilson D14/114
D. 392,956 3/1998 Gillis D14/114
D. 408,388 4/1999 Wiggins D14/114
5,383,643 1/1995 Koch 248/447
5,927,662 7/1999 West et al. .

Primary Examiner—Kay H. Chin
Attorney, Agent, or Firm—Vickers, Daniels & Young

[57] **CLAIM**
The ornamental design for a keyboard and mouse tray, as shown and described.

DESCRIPTION

FIG. 1 is a perspective view of a keyboard and mouse tray

in accordance with the present invention with the mouse tray extended;

FIG. 2 is a perspective view of the keyboard and mouse tray as seen in FIG. 1 with the mouse tray retracted;

FIG. 3 is a bottom view of the keyboard and mouse tray as seen in FIG. 1 with the mouse tray extended;

FIG. 4 is a left side view of the keyboard and mouse tray of FIGS. 1-3;

FIG. 5 is a right side view of the keyboard and mouse tray of FIGS. 1-4;

FIG. 6 is a bottom view of the keyboard and mouse tray seen in FIGS. 1-5 with the mouse tray retracted;

FIG. 7 is a perspective view of the second embodiment of the keyboard and mouse tray seen in FIGS. 1-6 with the mouse tray extended;

FIG. 8 is a perspective view of the keyboard and mouse tray of FIG. 7 with the mouse tray retracted;

FIG. 9 is a bottom view of the keyboard tray seen in FIGS. 7 and 8 with the mouse tray extended;

FIG. 10 is a left side view of the keyboard and mouse tray seen in FIGS. 7-9;

FIG. 11 is a right side view of the keyboard and mouse tray seen in FIGS. 7-10; and,

FIG. 12 is a bottom view of the keyboard and mouse tray seen in FIGS. 7-11.

The rear surfaces of the keyboard and mouse tray shown and described are flat and unadorned.

1 Claim, 4 Drawing Sheets

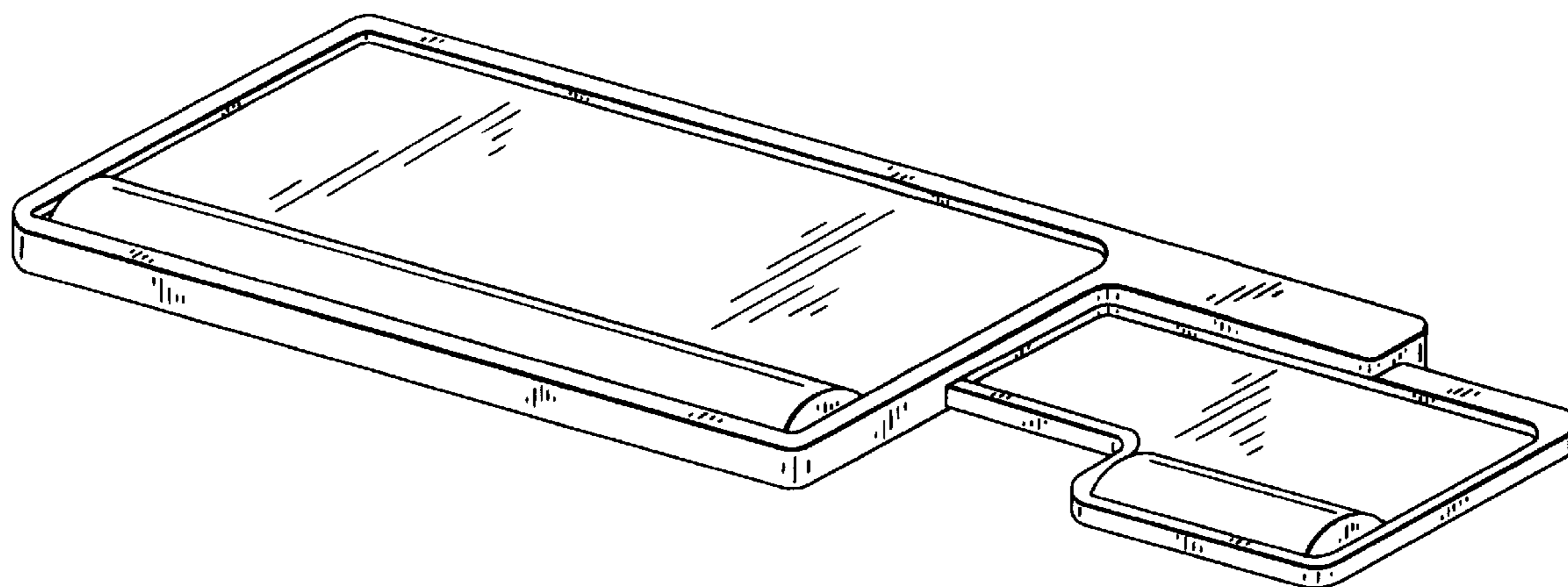


FIG. 1

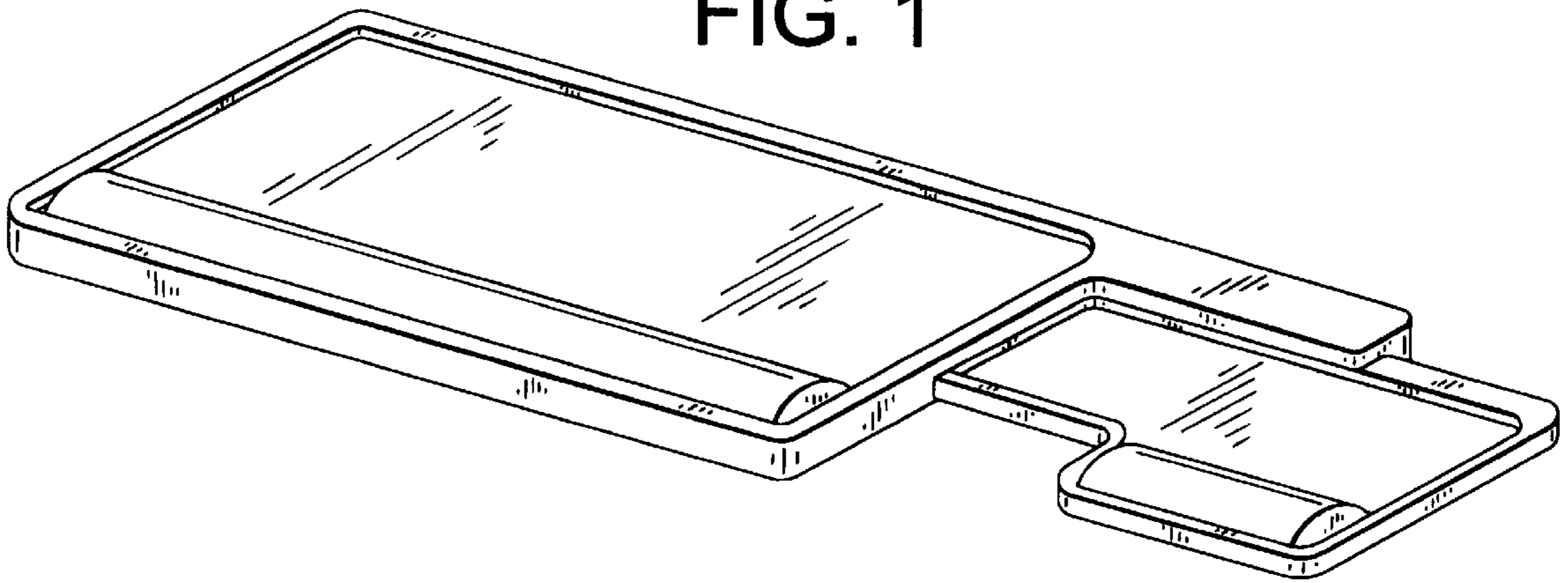


FIG. 2

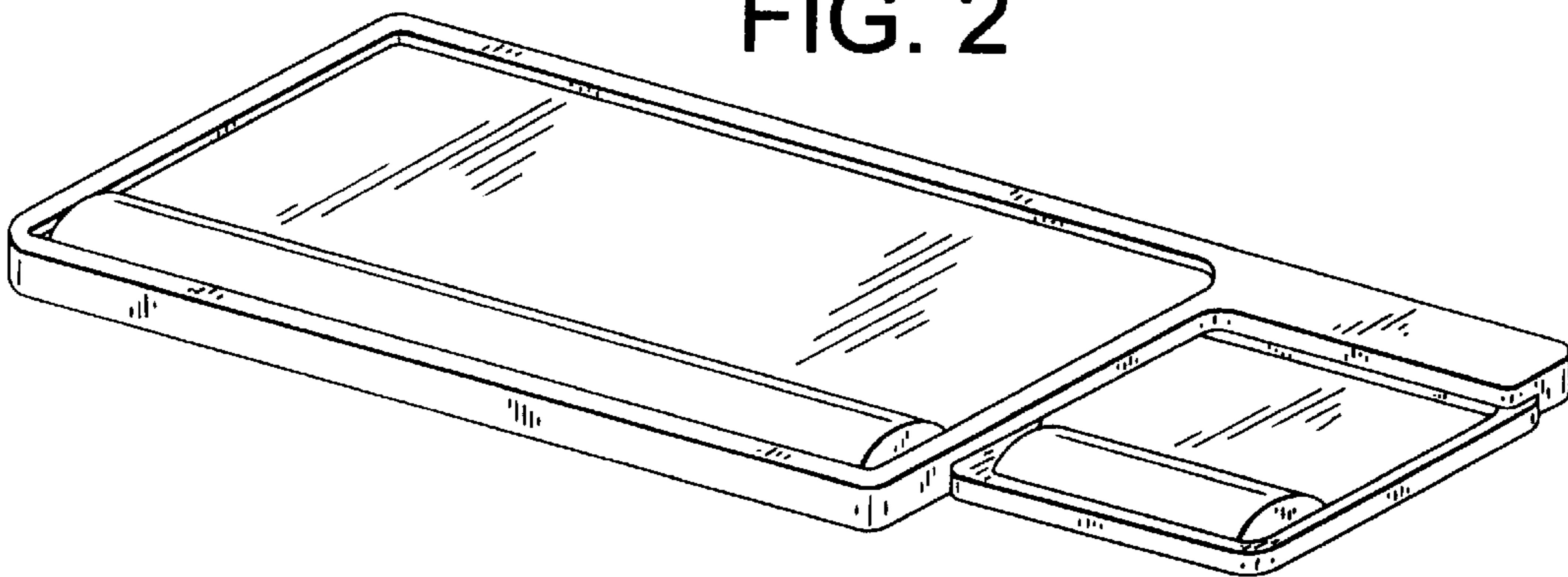


FIG. 3

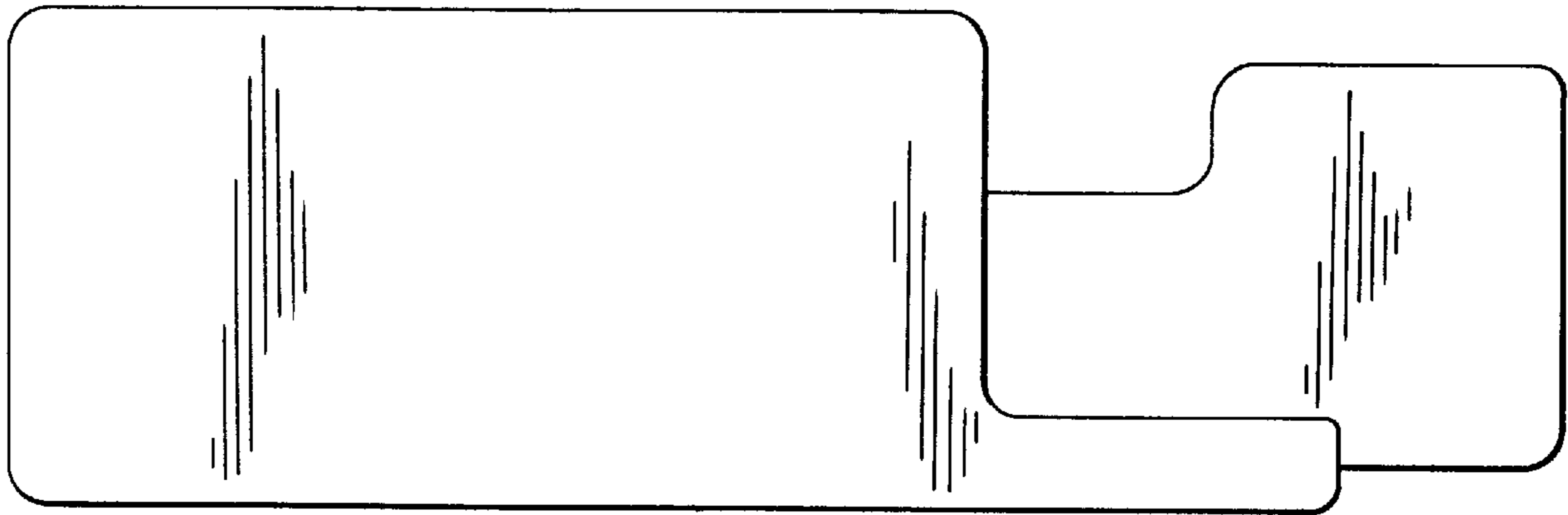


FIG. 4

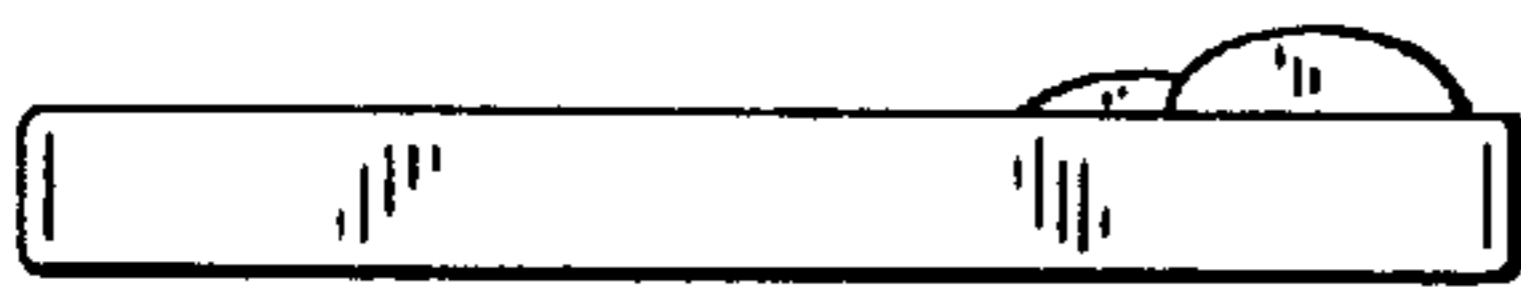


FIG. 5

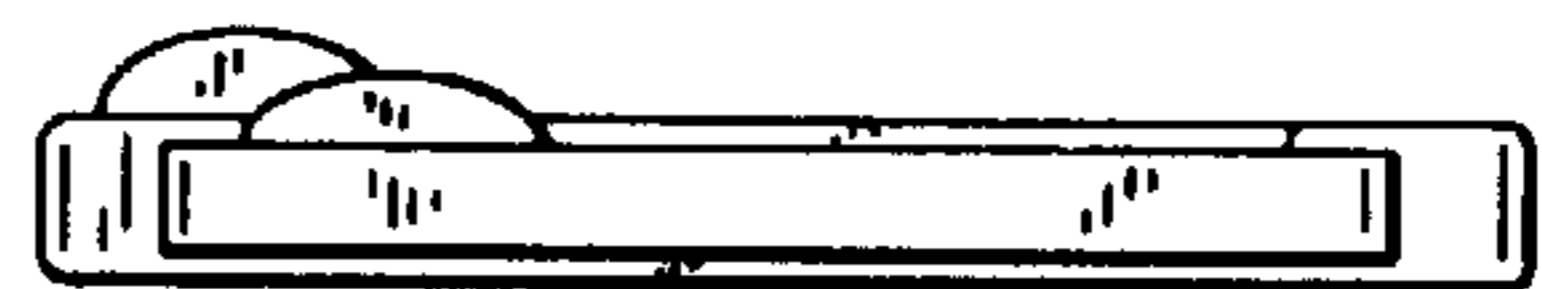


FIG. 6

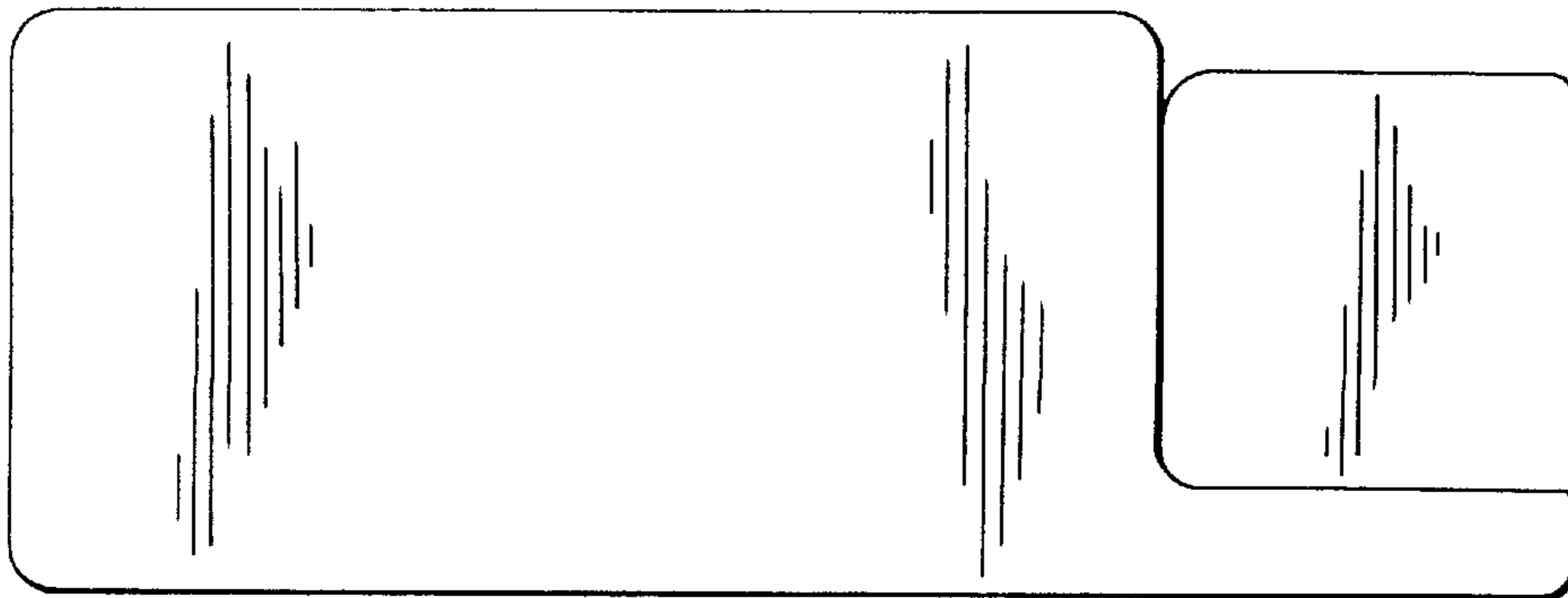


FIG. 7

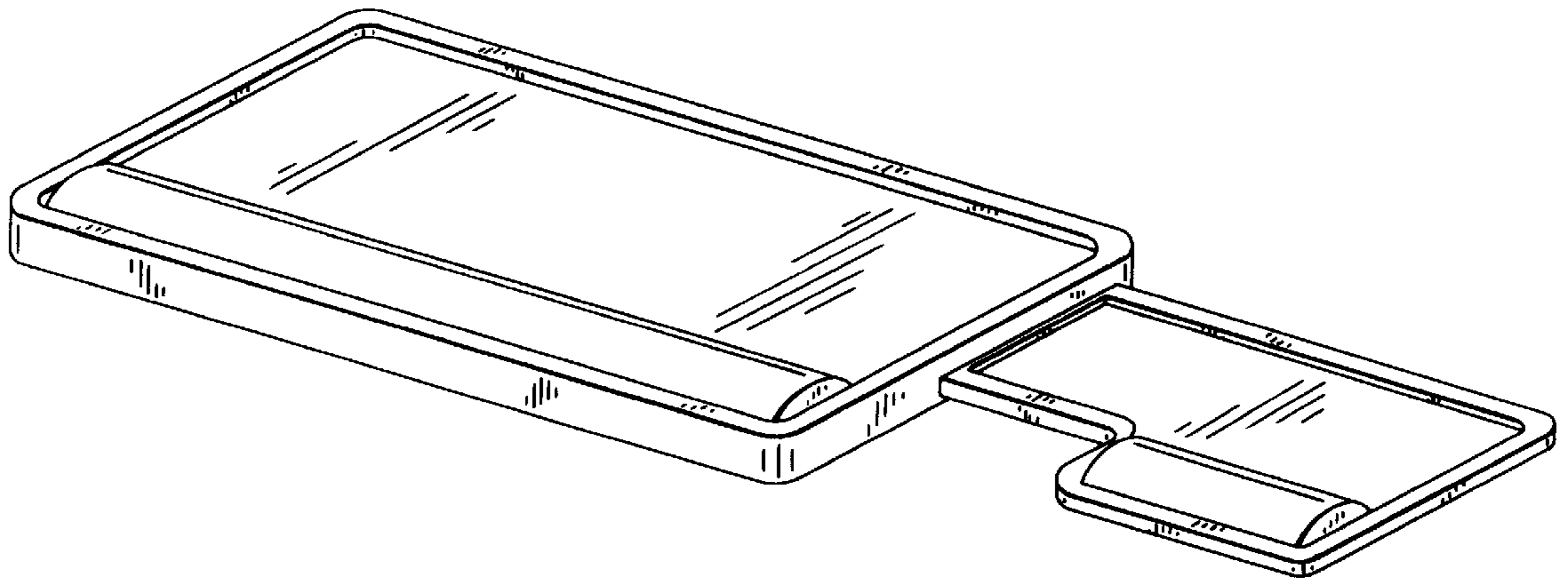


FIG. 8

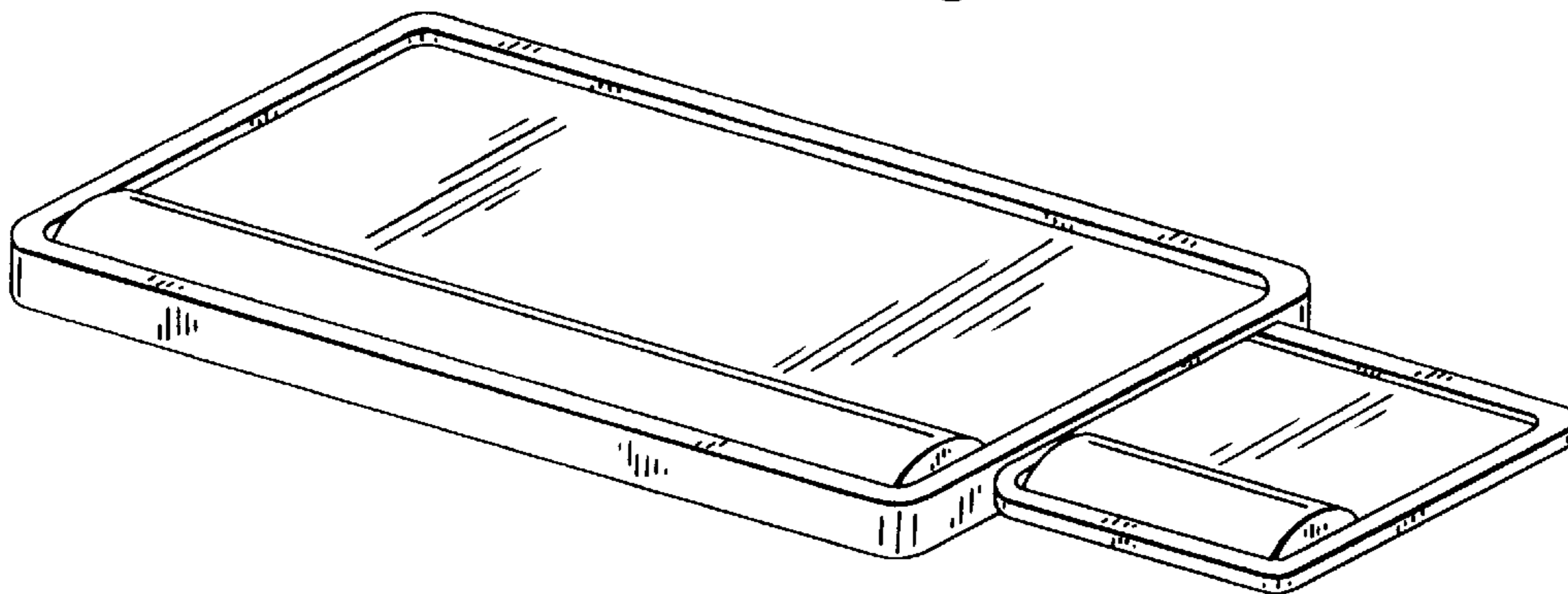


FIG. 9

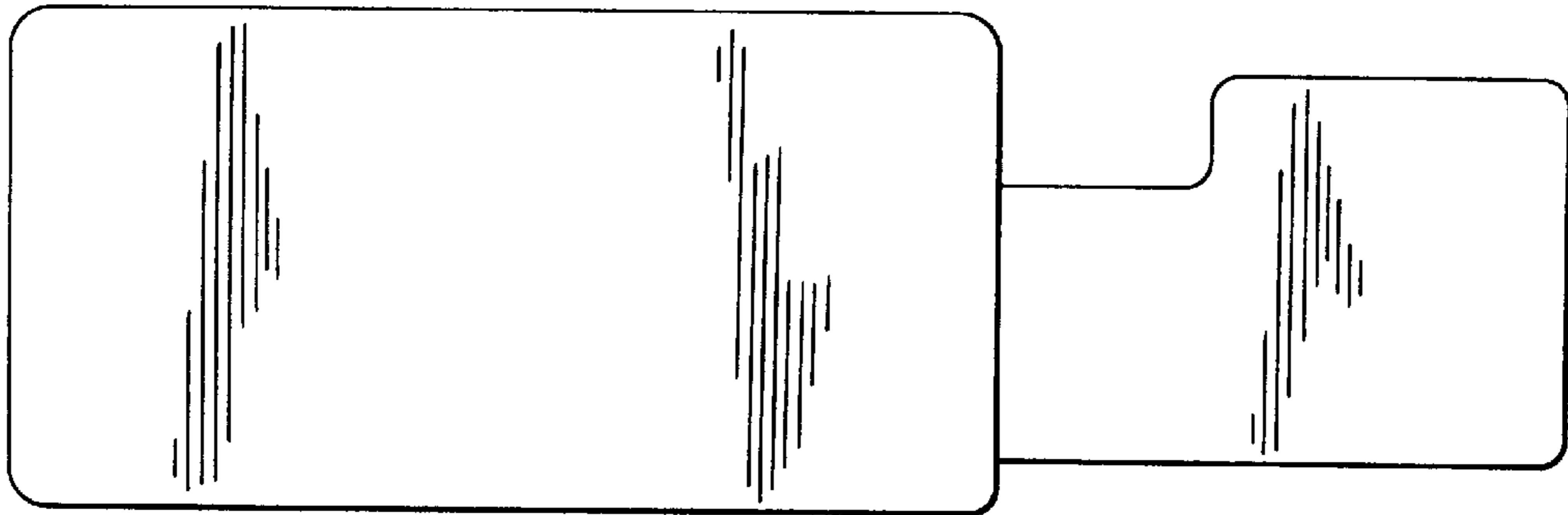


FIG. 10

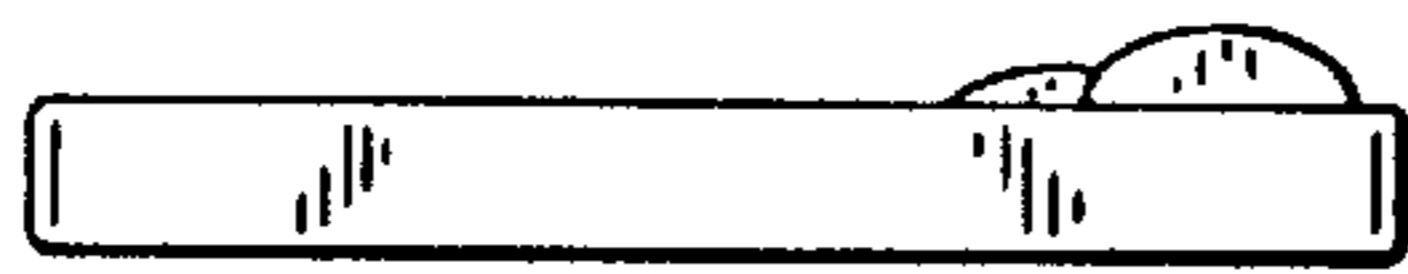


FIG. 11

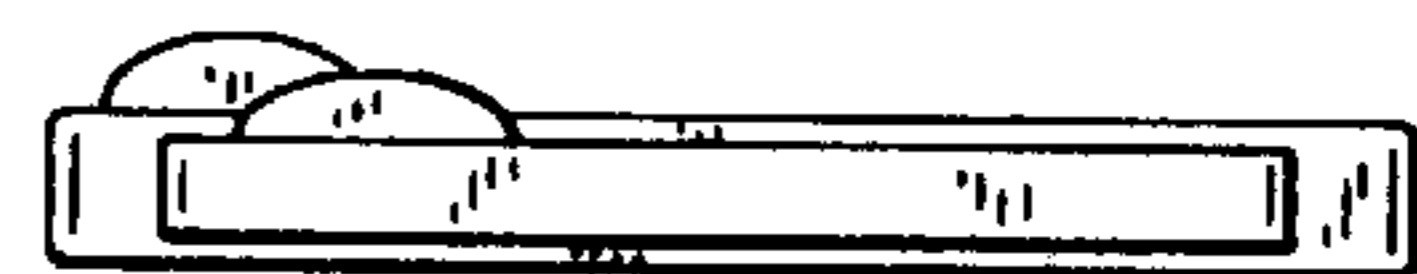


FIG. 12

