



US00D427163S

United States Patent [19]

Bergeron Gull et al.

[11] Patent Number: Des. 427,163

[45] Date of Patent: ** Jun. 27, 2000

[54] ADJUSTABLE FLAT PANEL MOUNTING BRACKET

[75] Inventors: Kathleen A. Bergeron Gull, San Jose; Jo Frances Wollschlaeger, San Francisco, both of Calif.

[73] Assignee: Palo Alto Design Group, Palo Alto, Calif.

[**] Term: 14 Years

[21] Appl. No.: 29/096,467

[22] Filed: Nov. 13, 1998

[51] LOC (7) Cl. 14-02

[52] U.S. Cl. D14/114

[58] Field of Search D14/114, 100; 248/917-24, 346.01, 346.02; 361/679-85; D6/449, 491, 445, 396, 512; 200/5 R, 5 A, 6 R, 6 A

D. 367,477	2/1996	Rosen	D14/114
D. 391,945	3/1998	Rosen	D14/114
4,516,751	5/1985	Westbrook .	
4,669,694	6/1987	Malick .	
4,691,886	9/1987	Wendling et al. .	
4,834,329	5/1989	Delapp .	

Primary Examiner—M. H. Tung
Attorney, Agent, or Firm—Haverstock & Owens LLP

[57] CLAIM

We claim the ornamental design for an adjustable flat panel mounting bracket, as shown and described.

DESCRIPTION

FIG. 1 is a front elevation view of the adjustable flat panel mounting bracket showing our new invention; FIG. 2 is a back elevation view thereof; FIG. 3 is a left side elevation view thereof; FIG. 4 is a right side elevation view thereof; FIG. 5 is a top plan view thereof; and, FIG. 6 is a bottom plan view thereof.

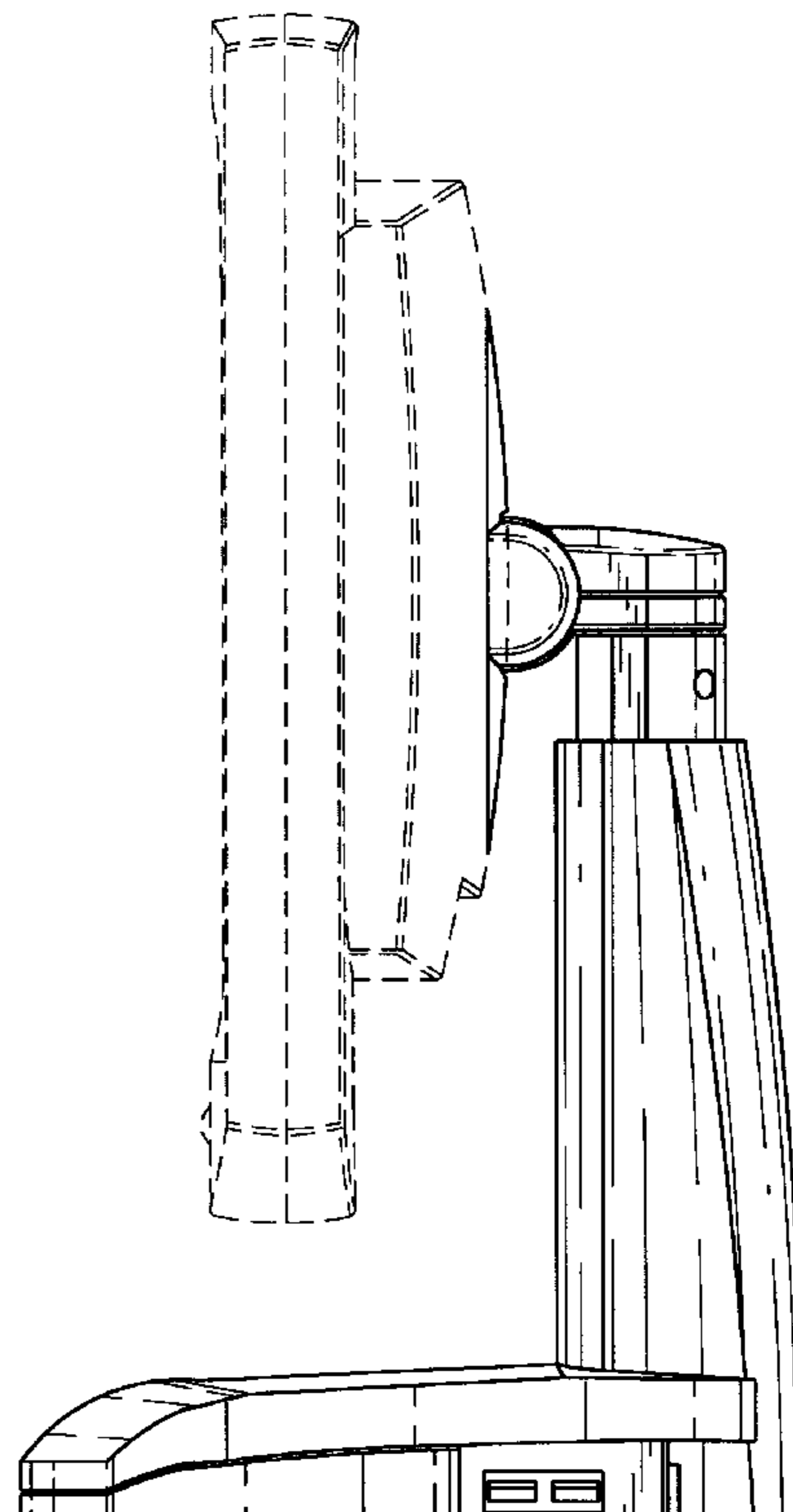
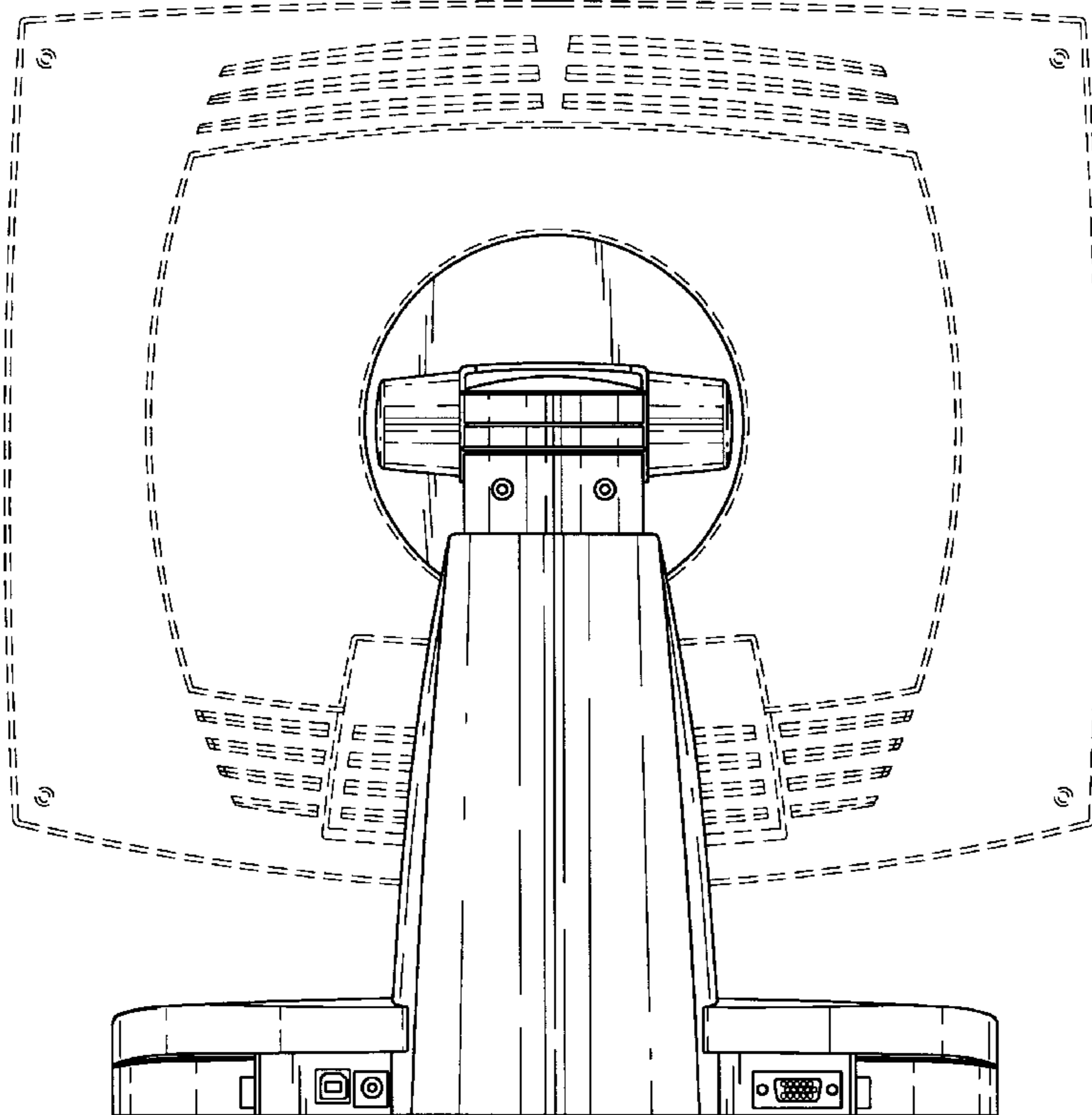
The broken line drawing of a flat panel in all figure views is for illustrative purposes only and forms no part of the claimed design.

[56] References Cited

U.S. PATENT DOCUMENTS

D. 295,415 4/1988 Thies et al. D14/114

1 Claim, 4 Drawing Sheets



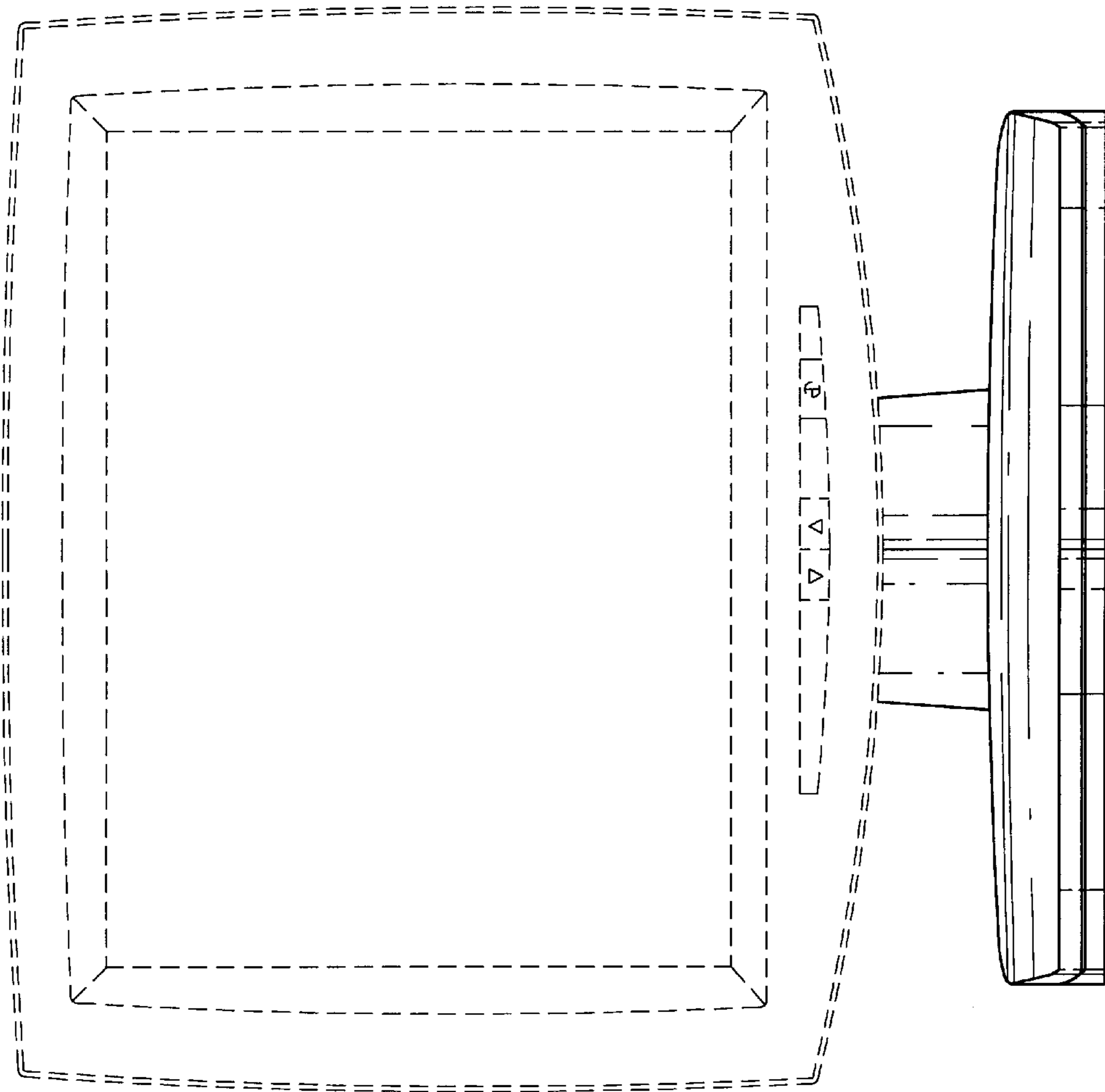


FIG. 1

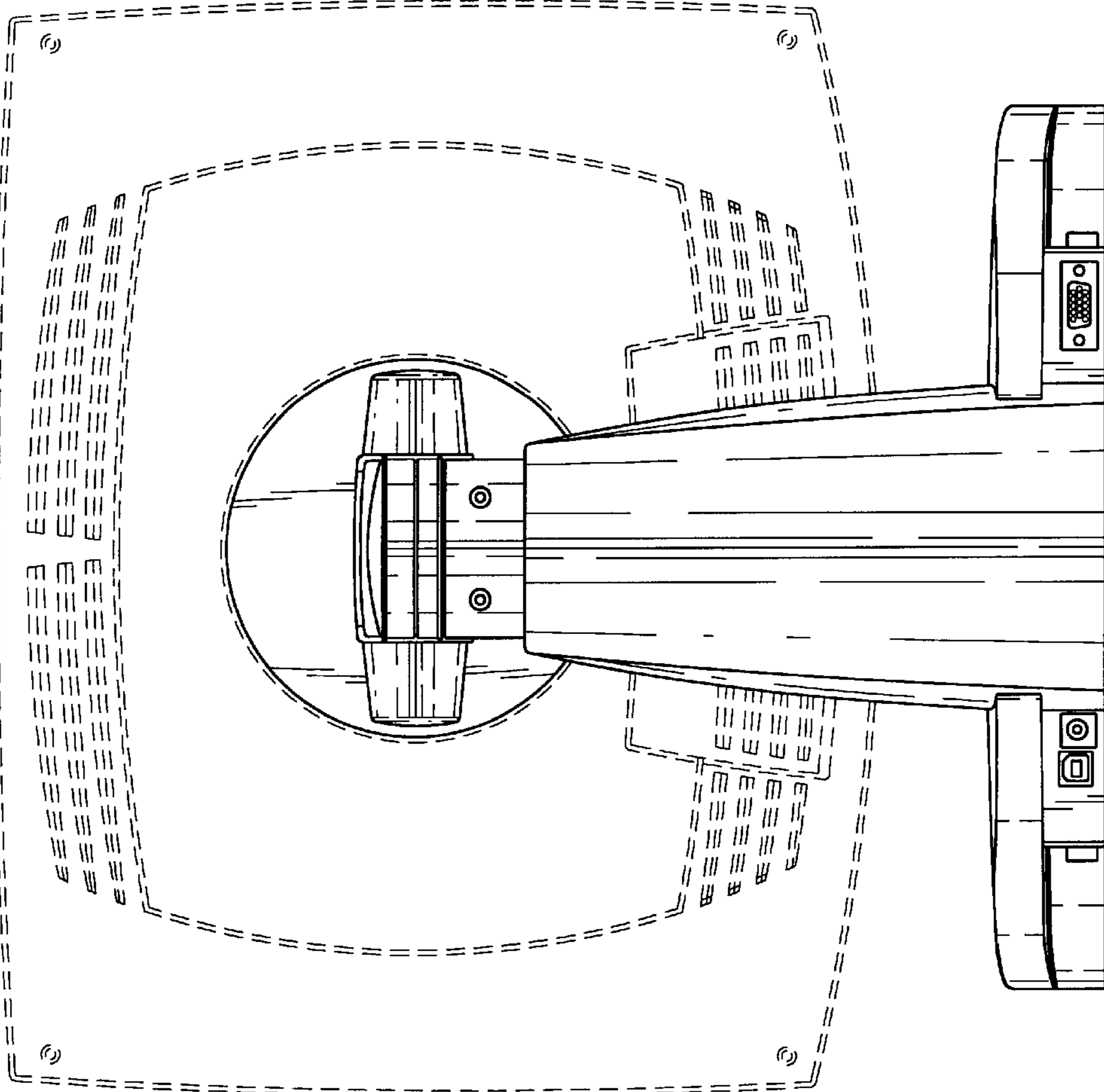


FIG. 2

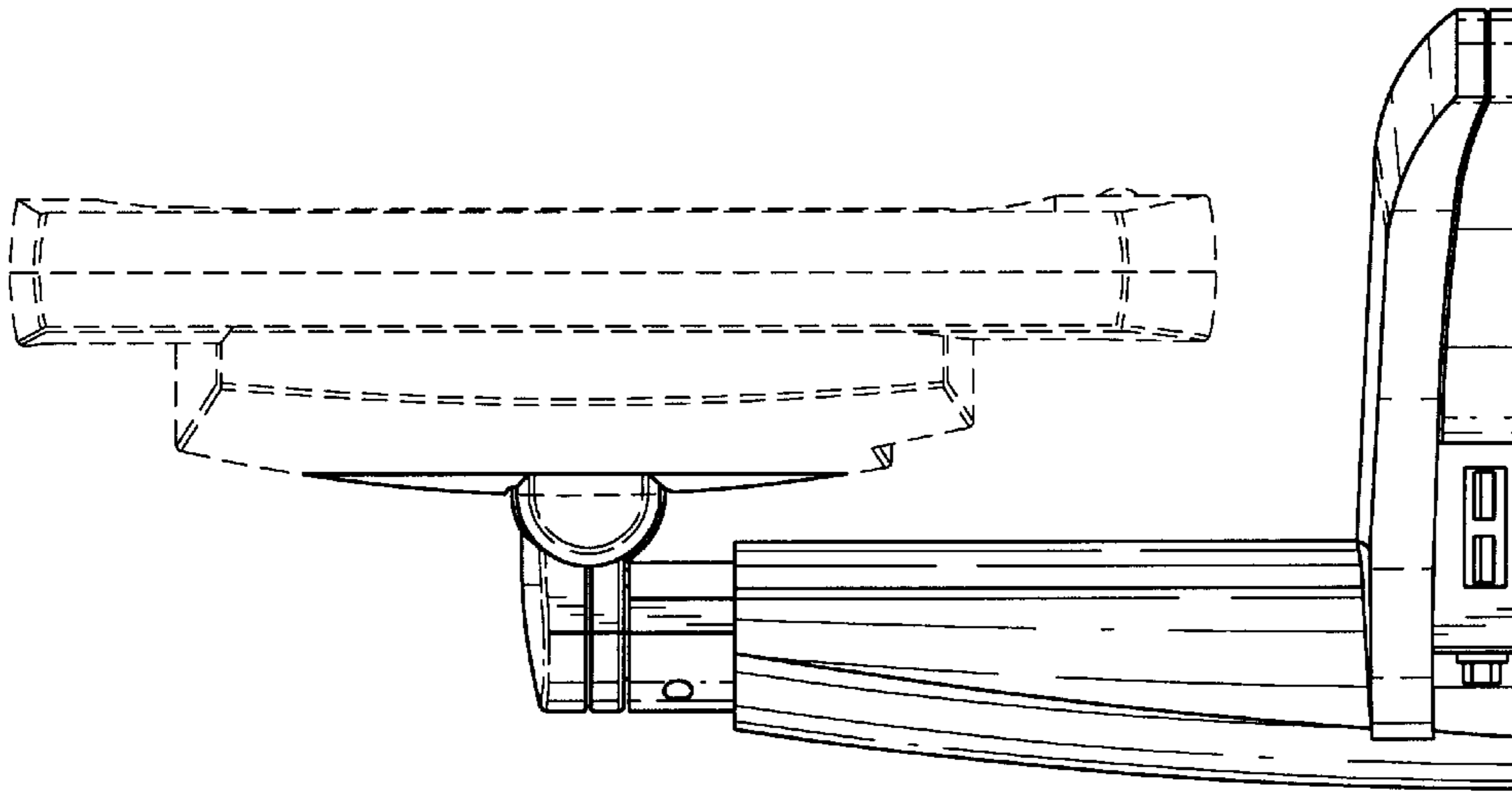


FIG. 4

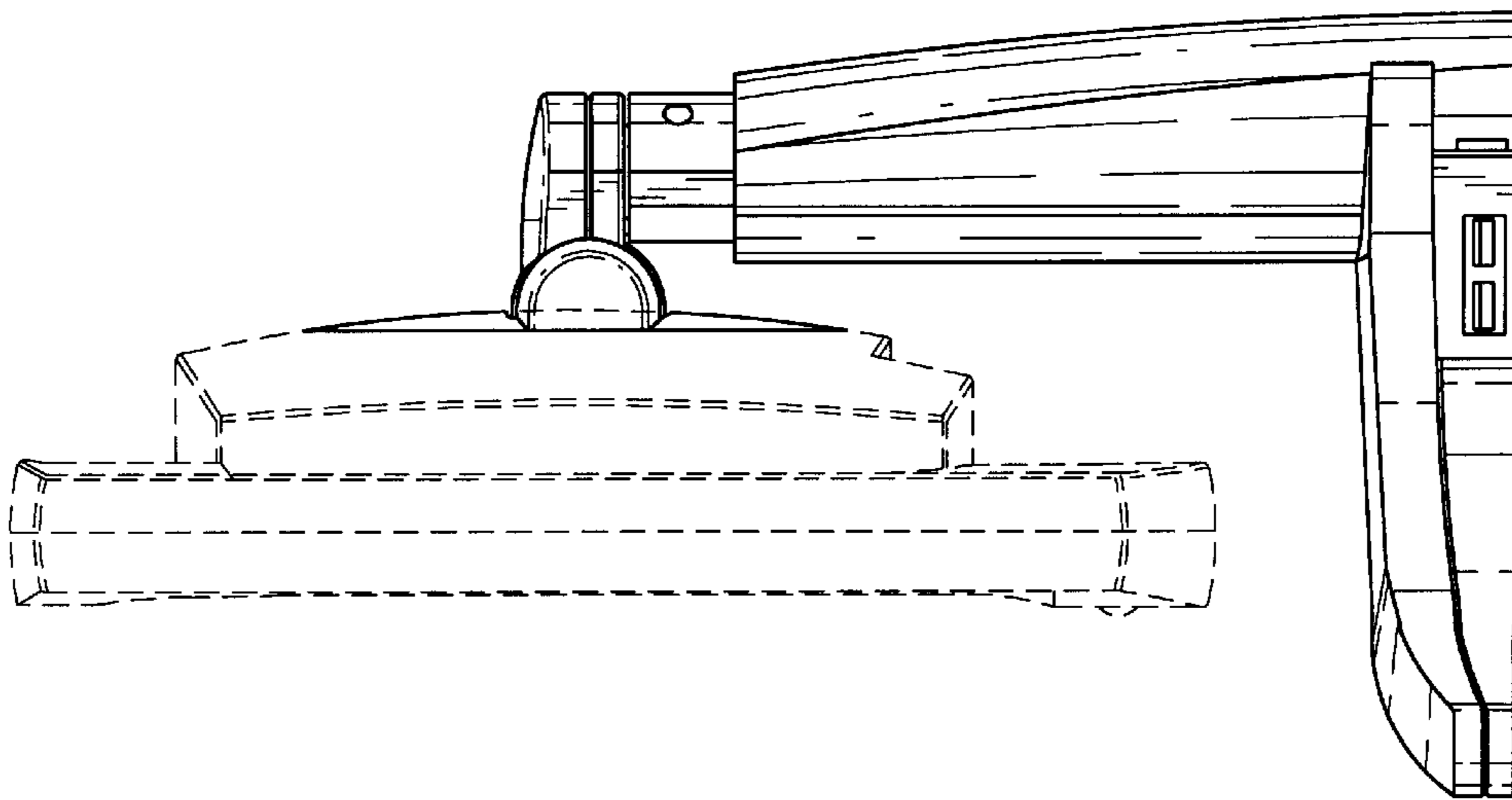


FIG. 3

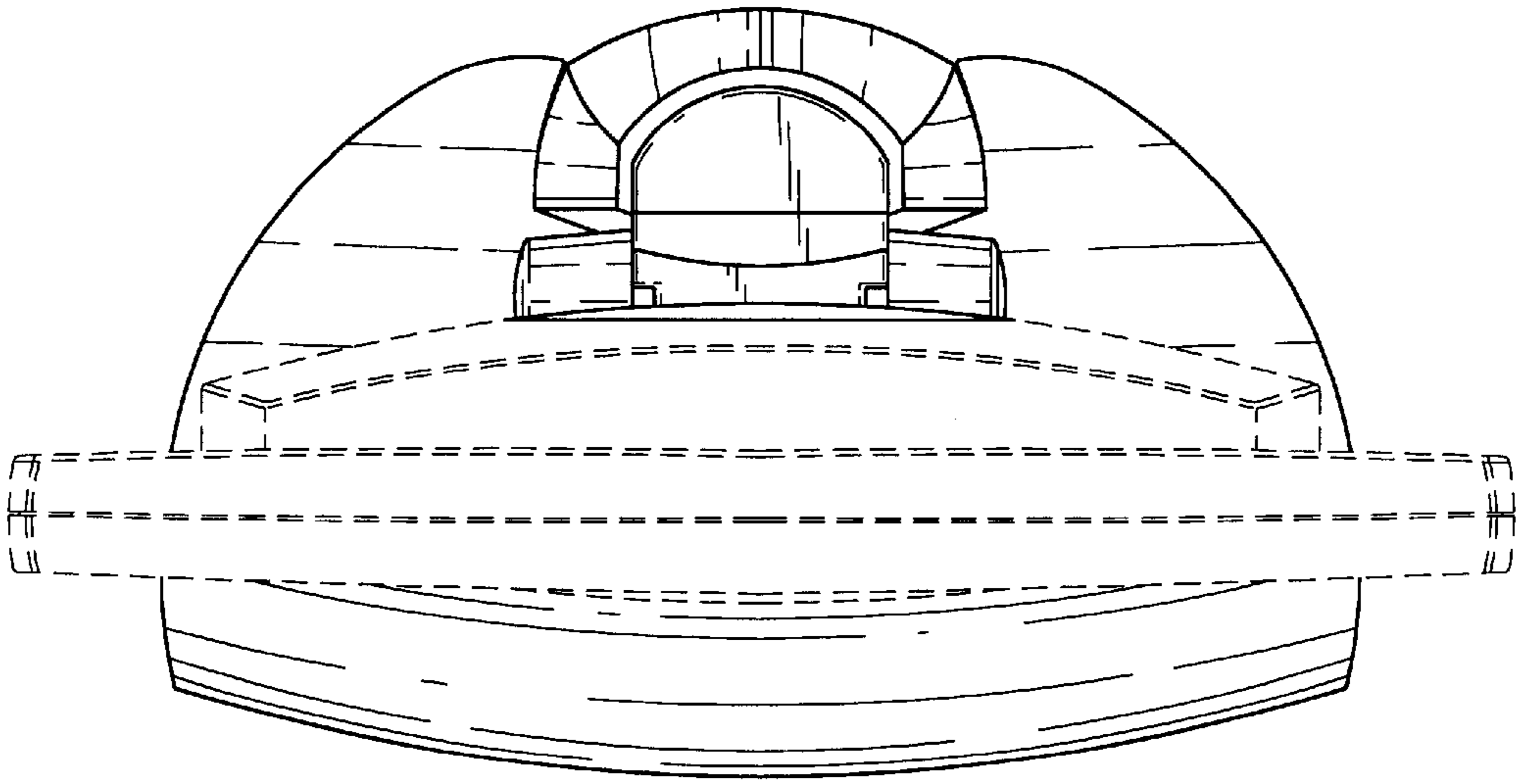


FIG. 5

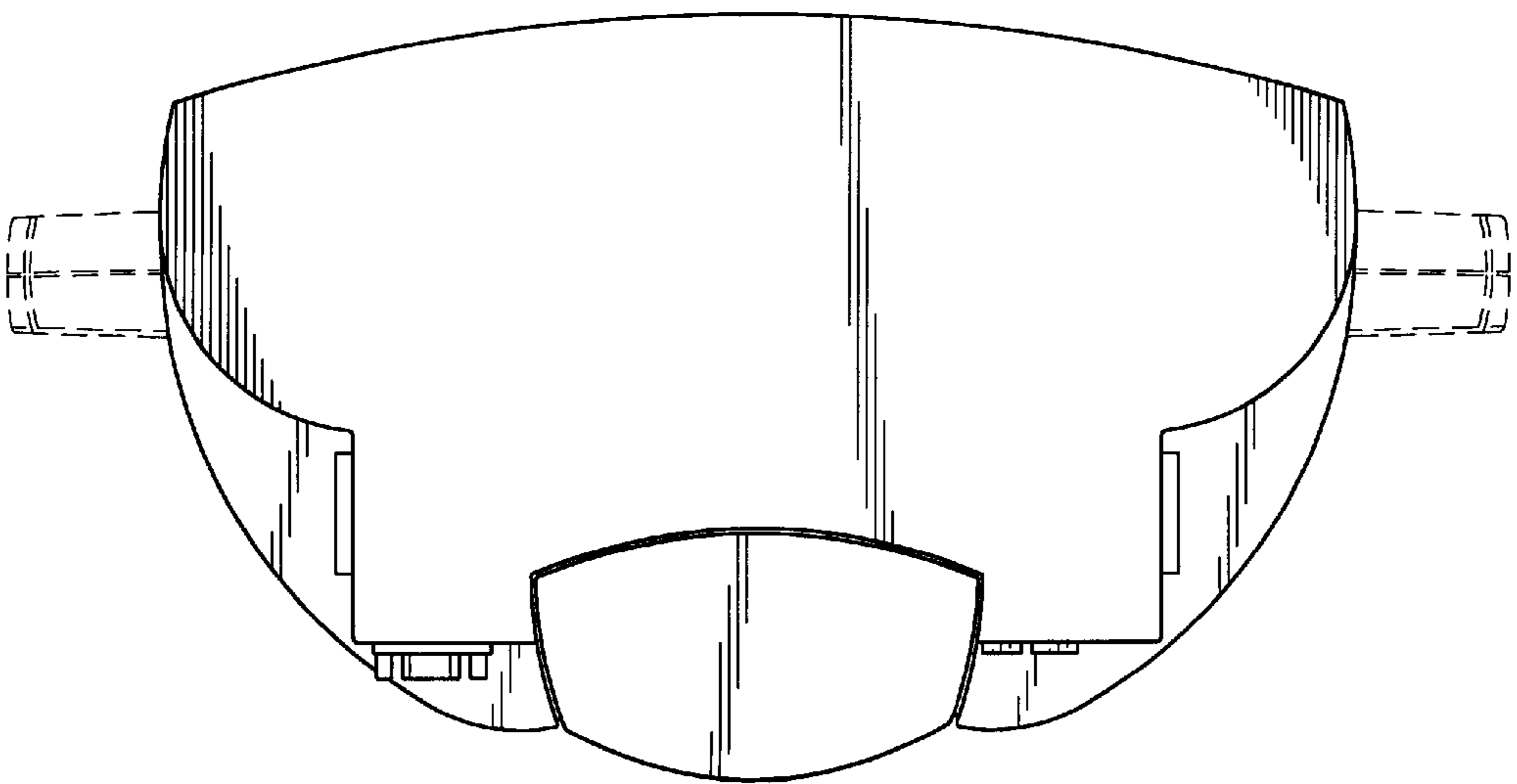


FIG. 6