



US00D427161S

# United States Patent [19] Oh

[11] Patent Number: Des. 427,161

[45] Date of Patent: \*\* Jun. 27, 2000

[54] **INTEGRATED INFORMATION APPLIANCE  
SIMULTANEOUSLY CAPABLE OF  
TELEPHONE AND DATA COMMUNICATION**

[75] Inventor: **Tae-Buom Oh**, Seoul, Rep. of Korea

[73] Assignee: **ICIT Co., Ltd.**, Seoul, Rep. of Korea

[\*\*] Term: **14 Years**

[21] Appl. No.: **29/110,949**

[22] Filed: **Sep. 17, 1999**

[30] **Foreign Application Priority Data**

Aug. 19, 1999 [KR] Rep. of Korea ..... 99-19829

[51] **LOC (7) Cl.** ..... **14-02**

[52] **U.S. Cl.** ..... **D14/101; D14/144; D14/151**

[58] **Field of Search** ..... D14/137, 138,  
D14/148, 147, 149-151, 140-142, 240,  
241, 130, 101, 144, 118, 146; 379/433-436,  
419, 420, 110.01, 428, 440, 90.01, 93.17,  
93.21; 361/680-686

[56] **References Cited**

**U.S. PATENT DOCUMENTS**

D. 294,250	2/1988	Watanabe et al.	.....	D14/130
D. 299,494	1/1989	Tsuruoka	.....	D14/118
D. 300,139	3/1989	Nishio	.....	D14/118
D. 304,564	11/1989	Kido et al.	.....	D14/151
D. 316,024	4/1991	Sharbaugh	.....	D14/141
D. 316,552	4/1991	Miozzo	.....	D14/241
D. 323,158	1/1992	Mizuno et al.	.....	D14/118
D. 324,036	2/1992	Wakasa	.....	D14/101
D. 328,076	7/1992	Hagiwara	.....	D14/241
D. 330,015	10/1992	Yoshihara	.....	D14/101

D. 339,333	9/1993	Sawada et al.	.....	D14/118
D. 354,047	1/1995	Leggate et al.	.....	D14/101
D. 354,954	1/1995	Naito et al.	.....	D14/130
D. 359,490	6/1995	Arakaki et al.	.....	D14/146
D. 372,225	7/1996	Martino et al.	.....	D14/101
D. 373,346	9/1996	Hwang	.....	D14/101
D. 391,569	3/1998	Brunner et al.	.....	D14/144
D. 397,112	8/1998	Locklin et al.	.....	D14/151
D. 404,393	1/1999	Russmann	.....	D14/130
D. 409,604	5/1999	Hong	.....	D14/151
D. 410,229	5/1999	Chiocchi	.....	D14/101
D. 411,531	6/1999	Hatanaka	.....	D14/118

*Primary Examiner*—Jeffrey Asch  
*Attorney, Agent, or Firm*—Reed Smith Hazel & Thomas LLP

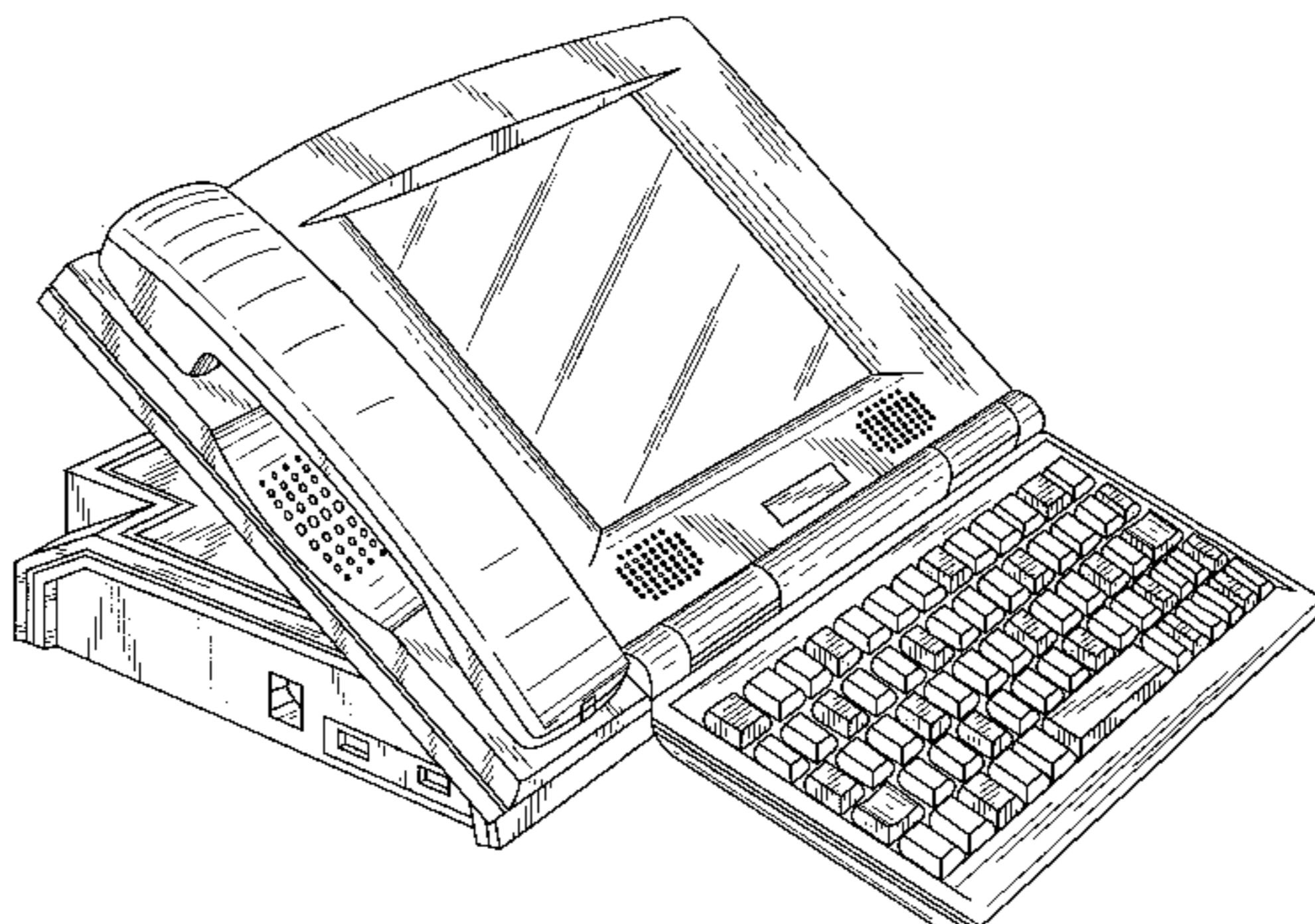
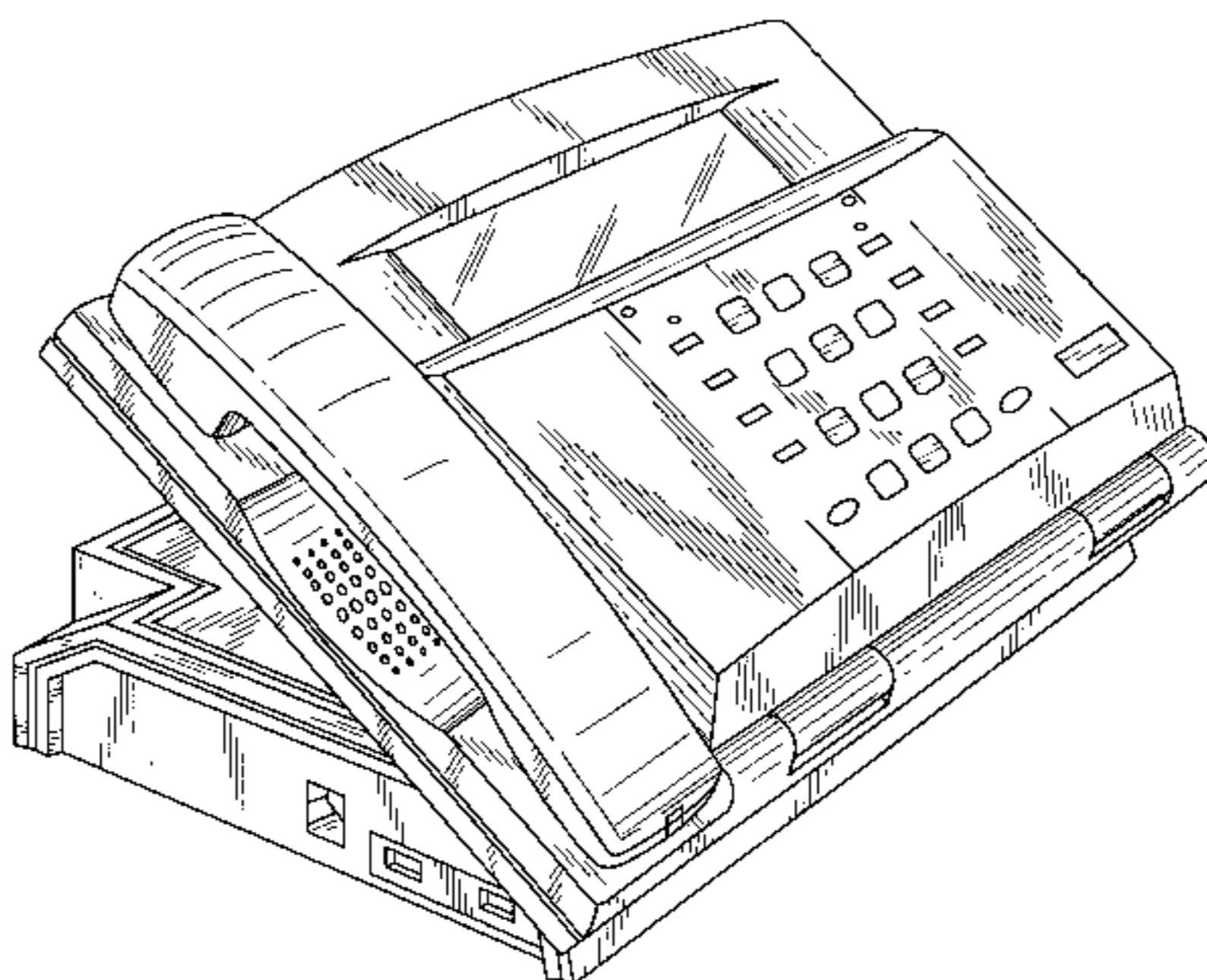
[57] **CLAIM**

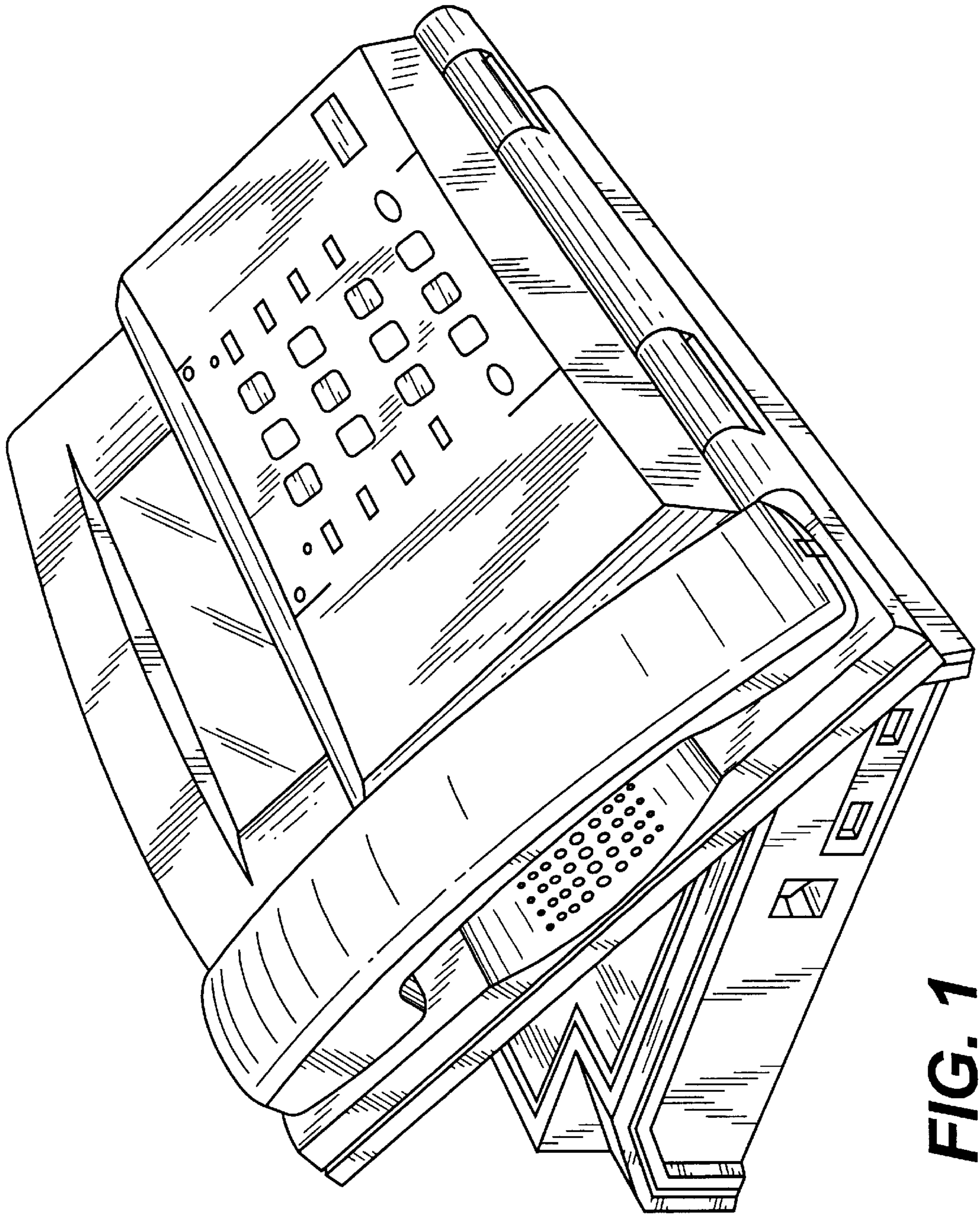
The ornamental design for an integrated information appliance simultaneously capable of telephone and data communication, as shown and described.

**DESCRIPTION**

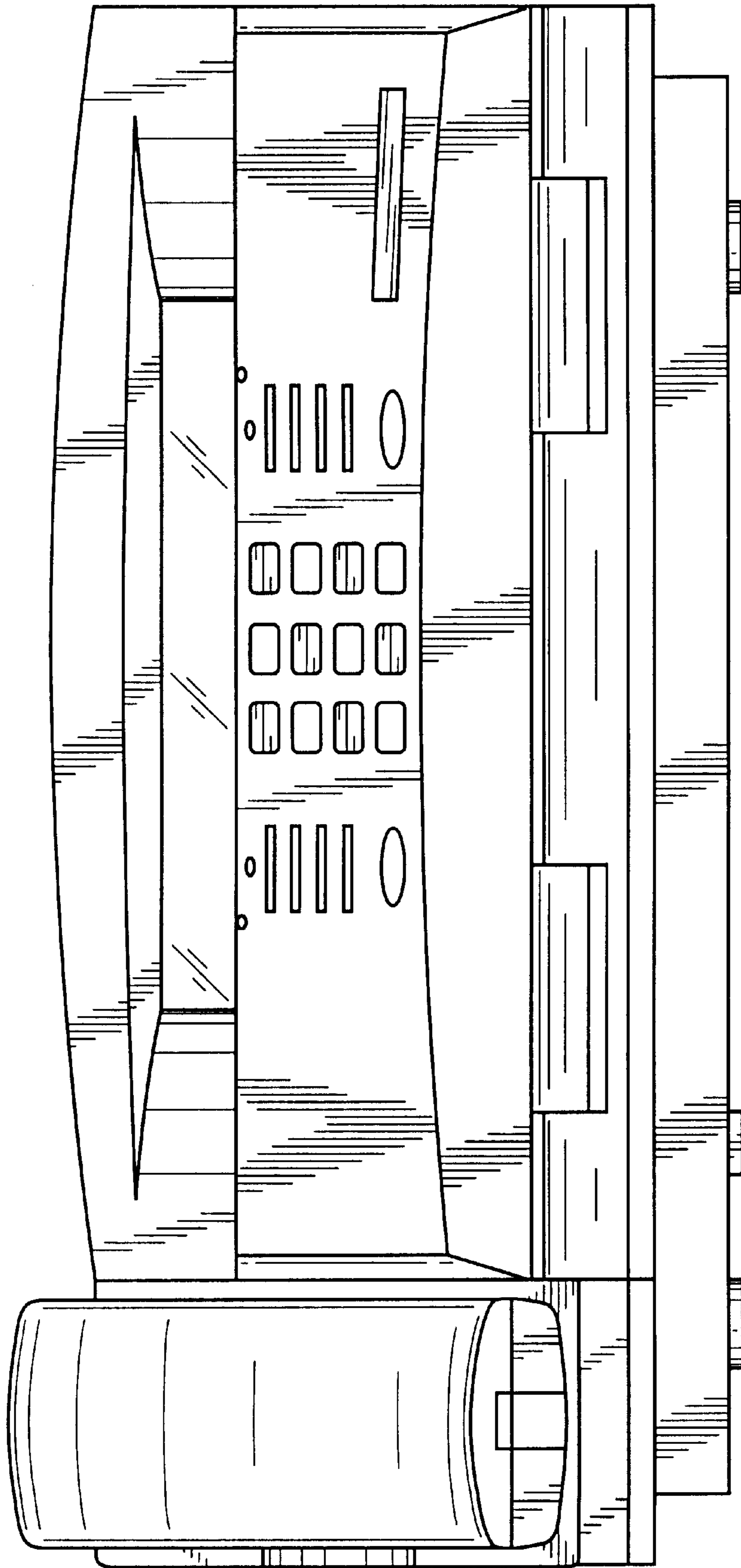
FIG. 1 is a top and left side perspective view of an integrated information appliance showing my new design in closed mode for using as a telephone;  
FIG. 2 is a front view thereof;  
FIG. 3 is a rear view thereof;  
FIG. 4 is a left-side elevation view thereof;  
FIG. 5 is a right-side elevation view thereof;  
FIG. 6 is a plan view thereof;  
FIG. 7 is a bottom view thereof; and,  
FIG. 8 is a top and left side perspective view of an integrated information appliance showing my new design in opened mode for data communication.

**1 Claim, 8 Drawing Sheets**

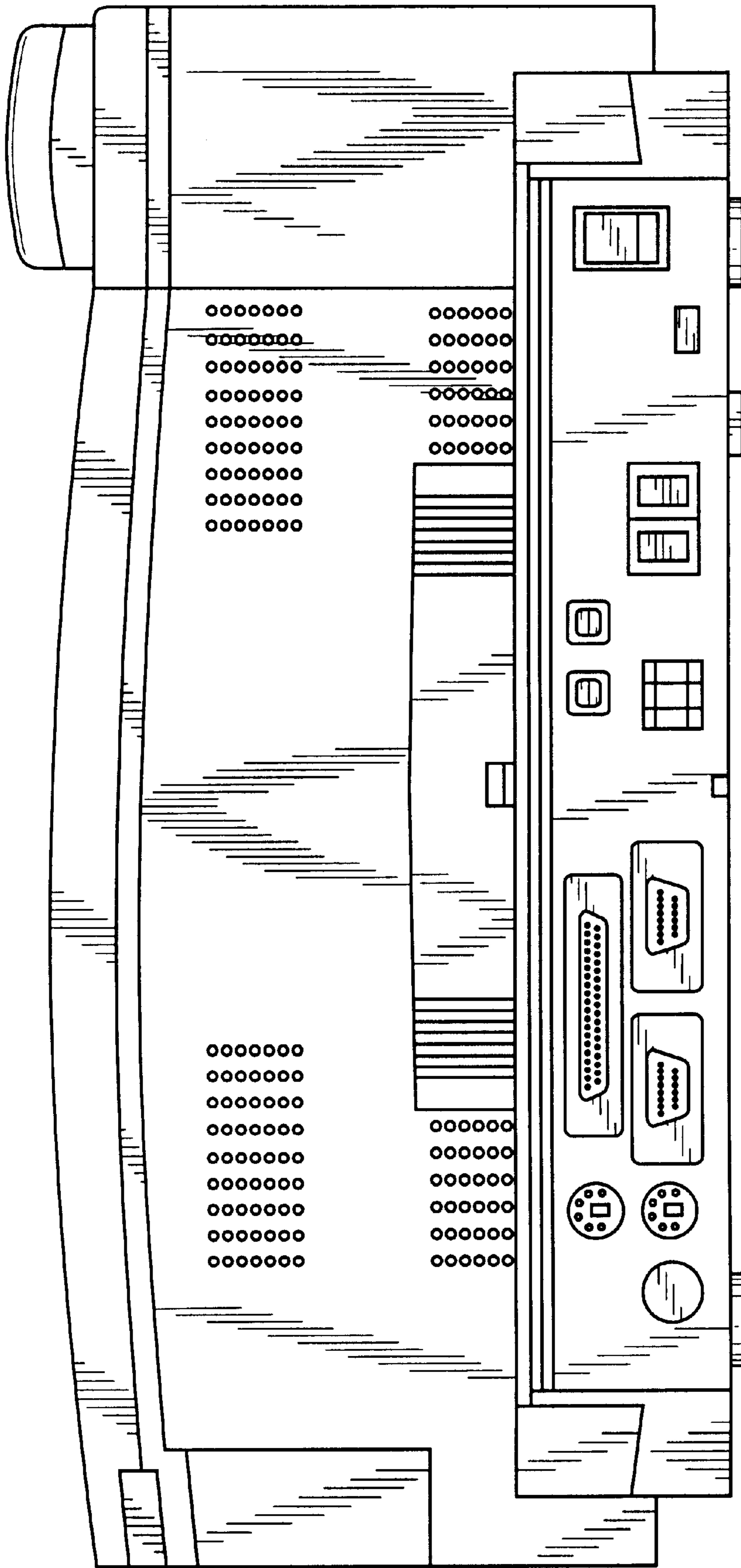




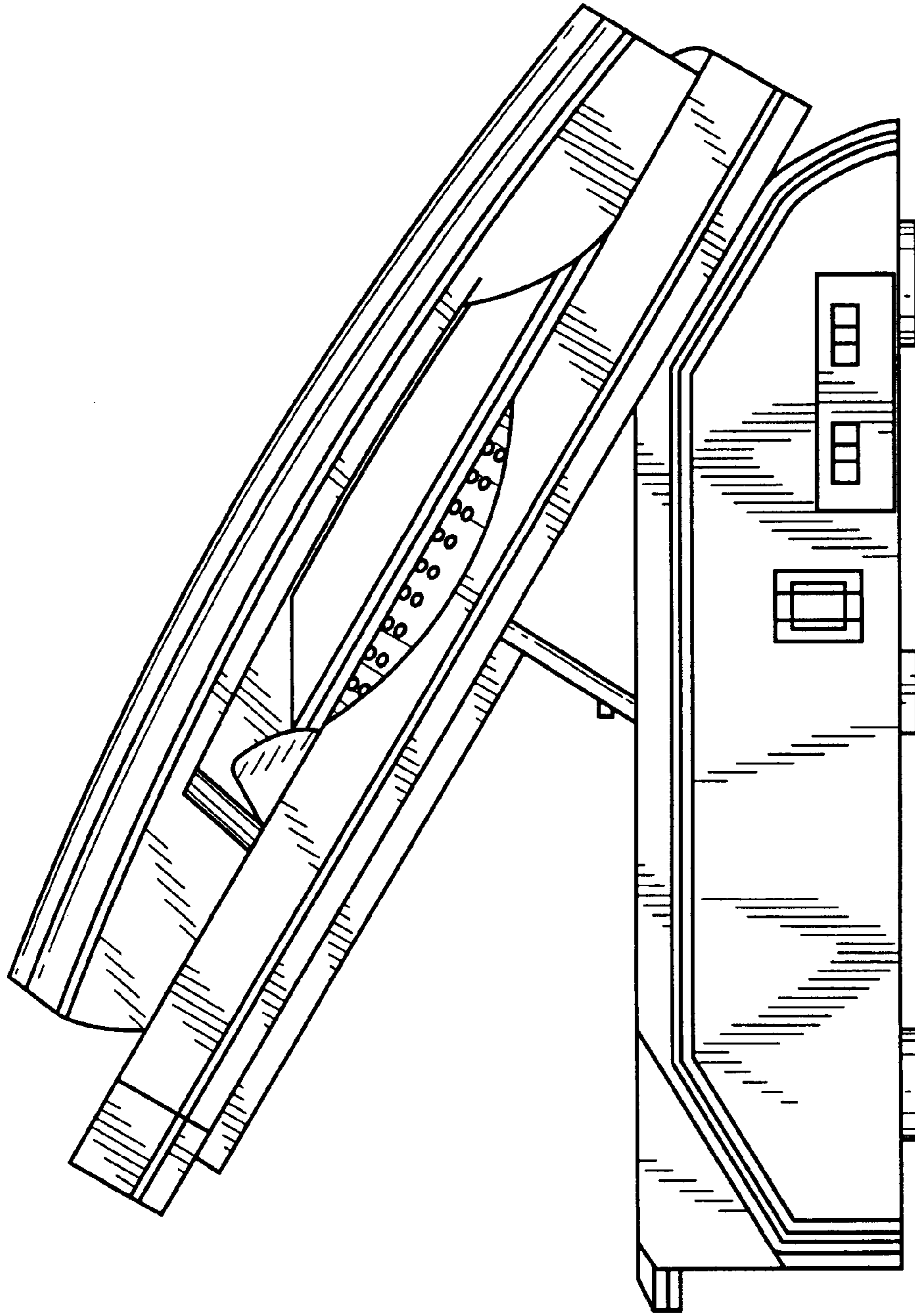
**FIG. 1**



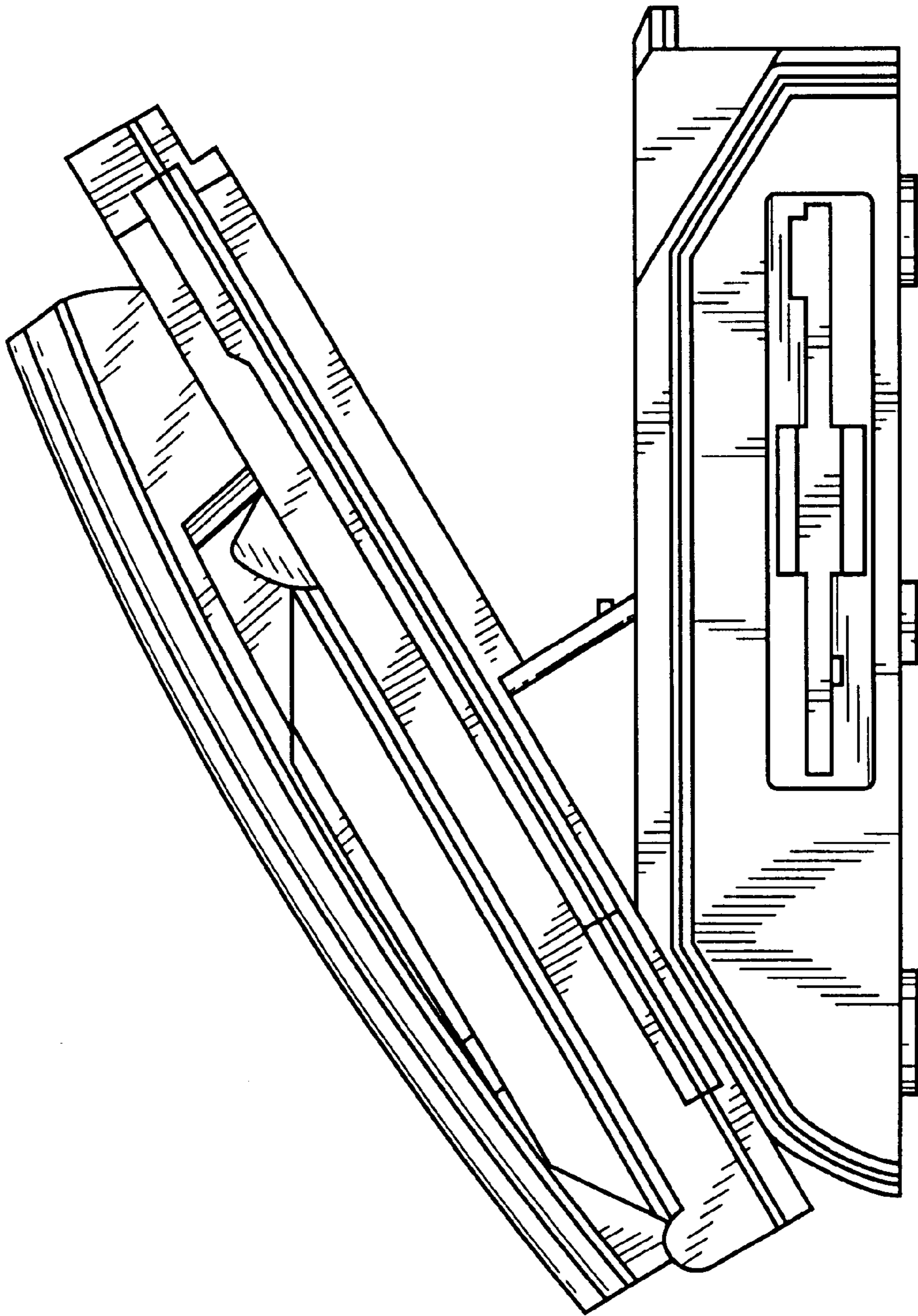
**FIG. 2**



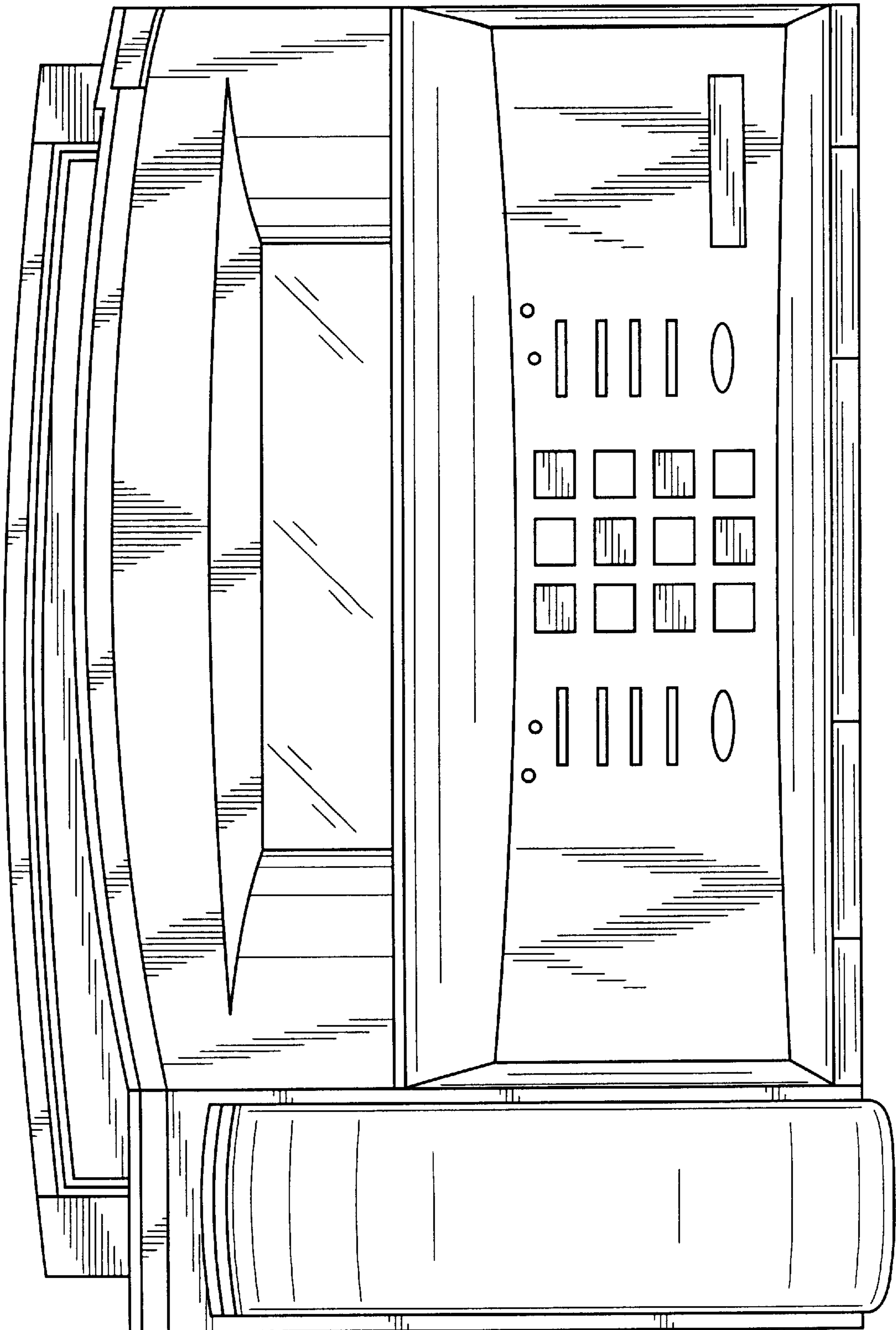
**FIG. 3**



**FIG. 4**



**FIG. 5**



**FIG. 6**

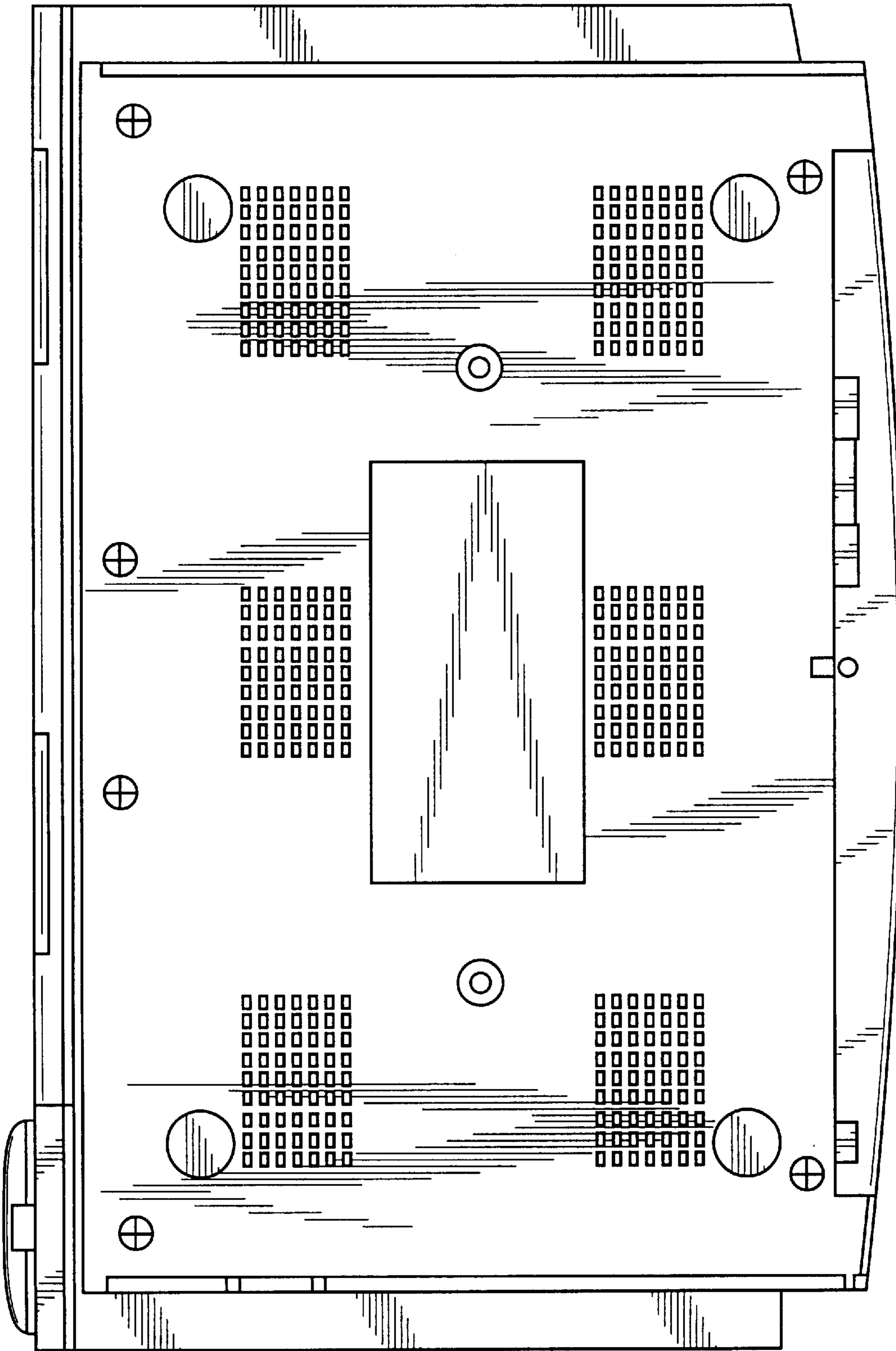
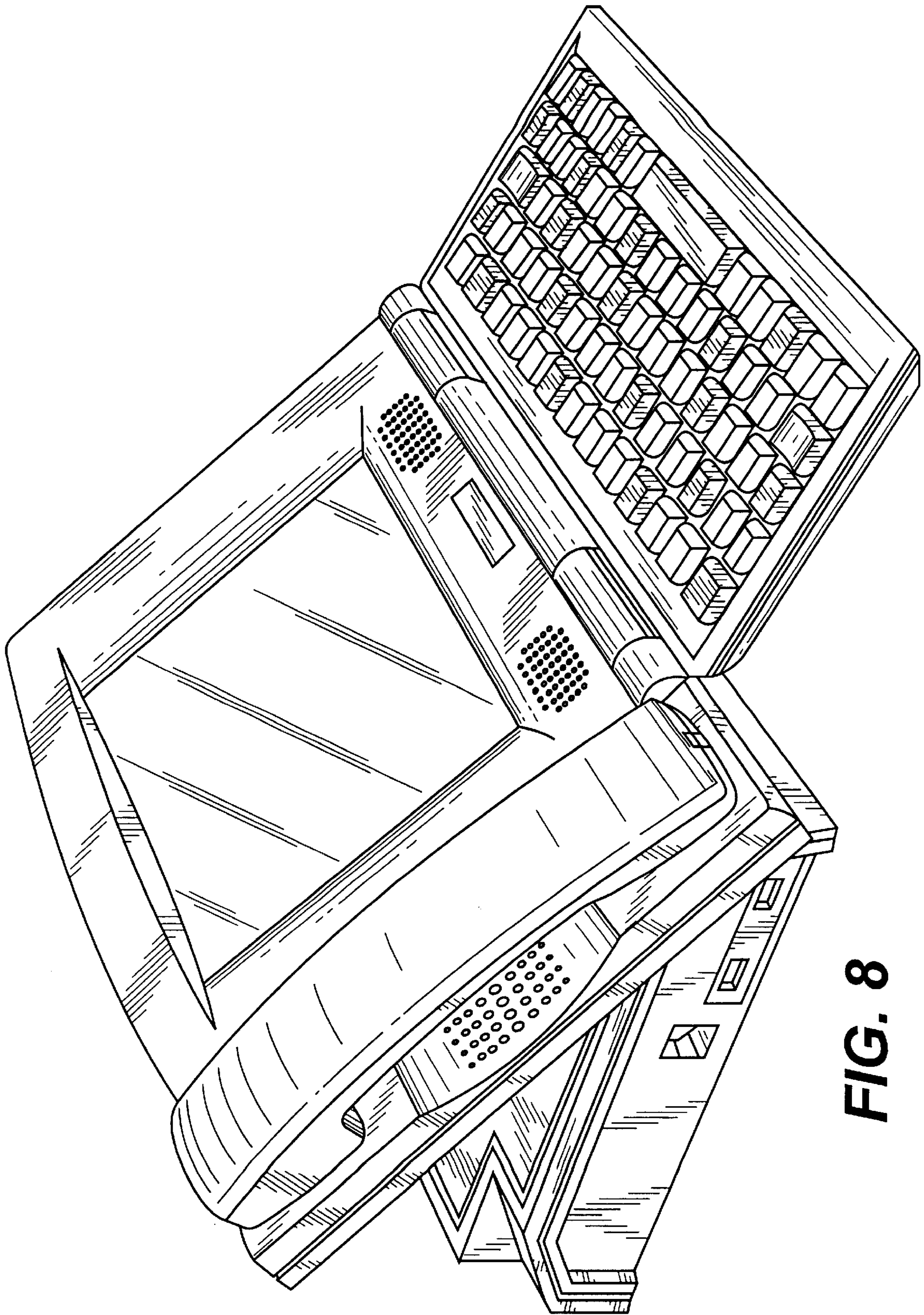


FIG. 7





**FIG. 8**