



US00D427158S

United States Patent [19]
Sadowski et al.

[11] **Patent Number: Des. 427,158**
[45] **Date of Patent: ** Jun. 27, 2000**

[54] **ROCKER SWITCH ACTUATOR**

[75] Inventors: **Walter A. Sadowski**, Newington;
Joseph L. LeClair, Waterbury, both of
Conn.; **Jamie T. Sasser**, Apex; **Ray T.**
Schenck, Sanford, both of N.C.

[73] Assignees: **Carlingswitch, Inc.**, Plainville, Conn.;
Caterpillar, Inc., Peoria, Ill.

[**] Term: **14 Years**

[21] Appl. No.: **29/085,814**

[22] Filed: **Mar. 31, 1998**

[51] **LOC (7) Cl.** **13-03**

[52] **U.S. Cl.** **D13/174**

[58] **Field of Search** D13/158, 169,
D13/173, 174; 200/329, 332, 335, 339,
556, 561, 61.27

[56] **References Cited**

U.S. PATENT DOCUMENTS

2,073,319 3/1937 Rosay 200/553 X
3,716,682 2/1973 Wizemann 200/61.27

Primary Examiner—Alan P. Douglas
Assistant Examiner—Lavone Tabor
Attorney, Agent, or Firm—McCormick, Paulding & Huber
LLP

[57] **CLAIM**

The ornamental design for a rocker switch actuator, as shown and described.

DESCRIPTION

FIG. 1 is a front elevational view of an electrical switch actuator showing our new design, the broken line showing the switch case which is included for purposes of illustrating environmental details only and forming no part of the claimed design.

FIG. 2 is a left end elevational view thereof.

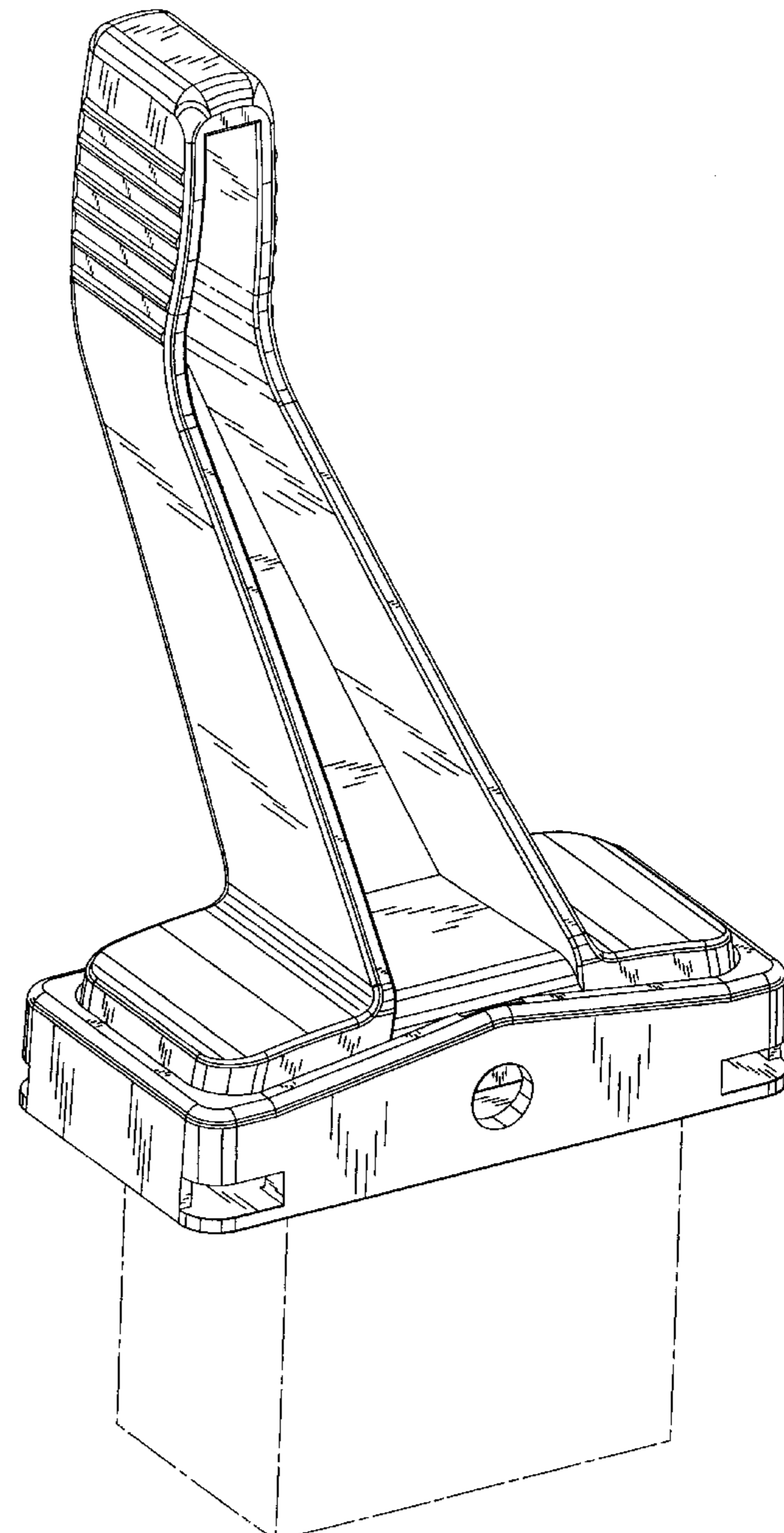
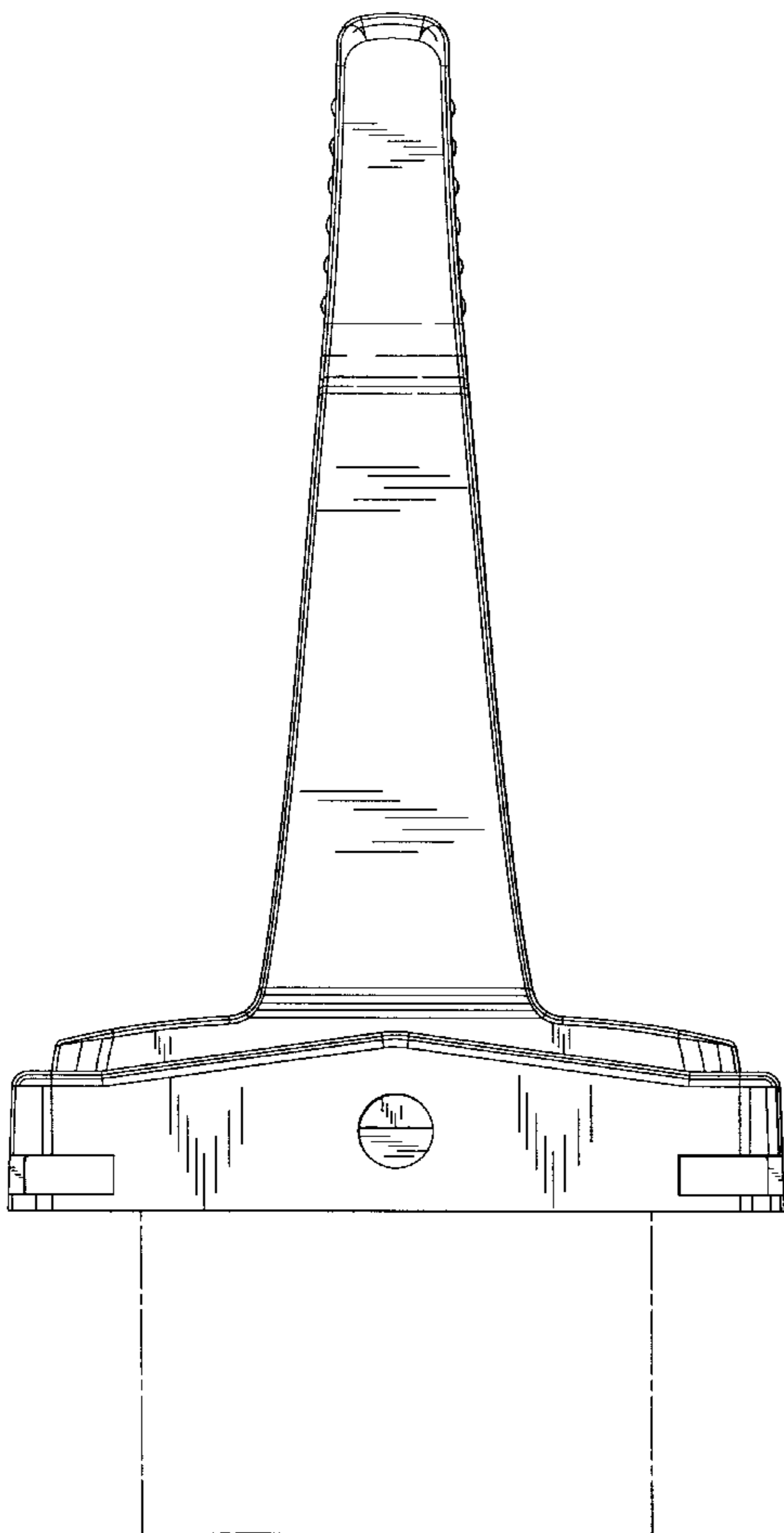
FIG. 3 is right end elevational view thereof.

FIG. 4 is a top plan view thereof.

FIG. 5 is a front upper left perspective view thereof; and, FIG. 6 is a vertical section through the actuator to better show the pivoted portion of the actuator and with other internal features omitted as forming no part of the claimed design.

No claim is made to the bottom of the actuator.

1 Claim, 6 Drawing Sheets



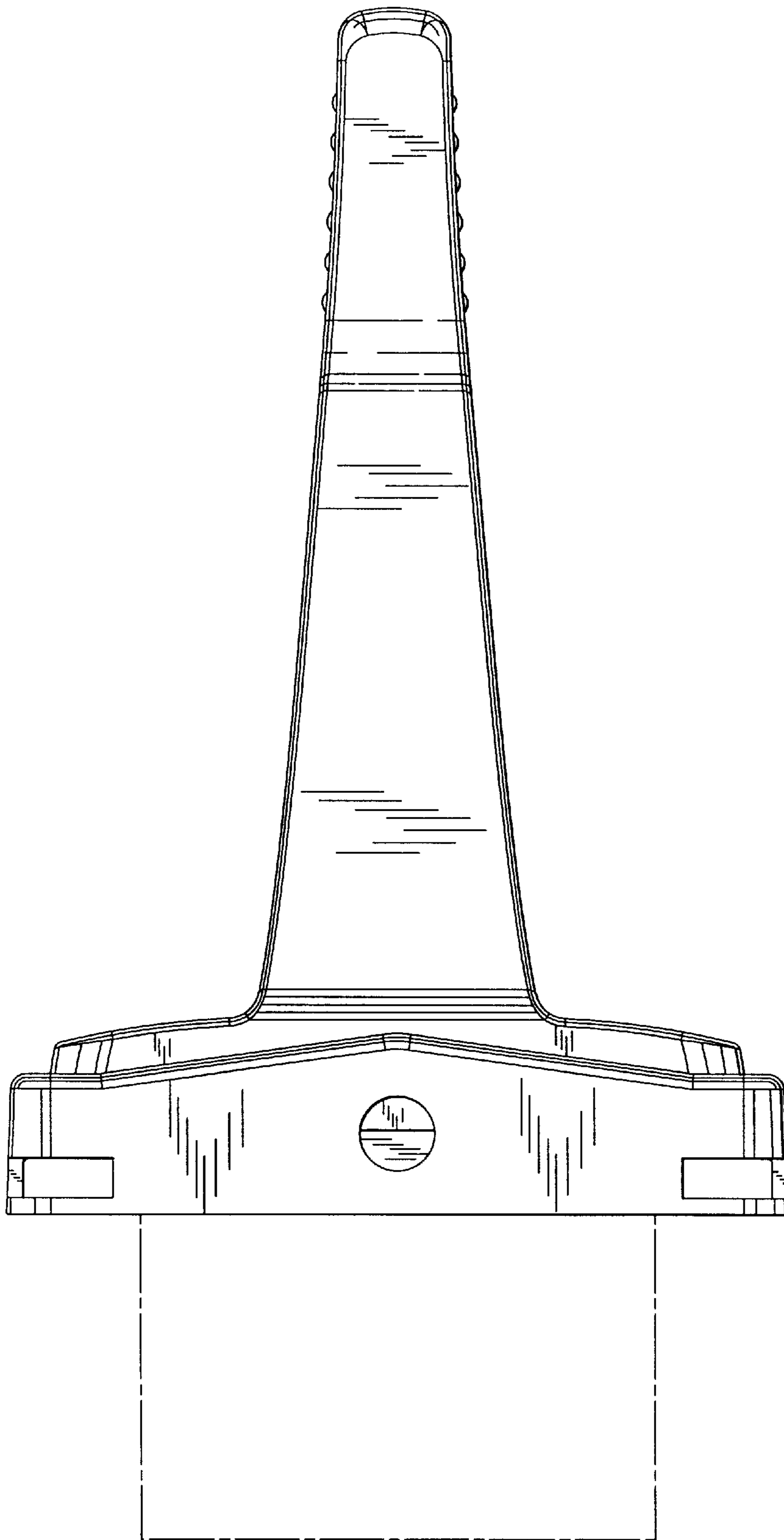


FIG. 1

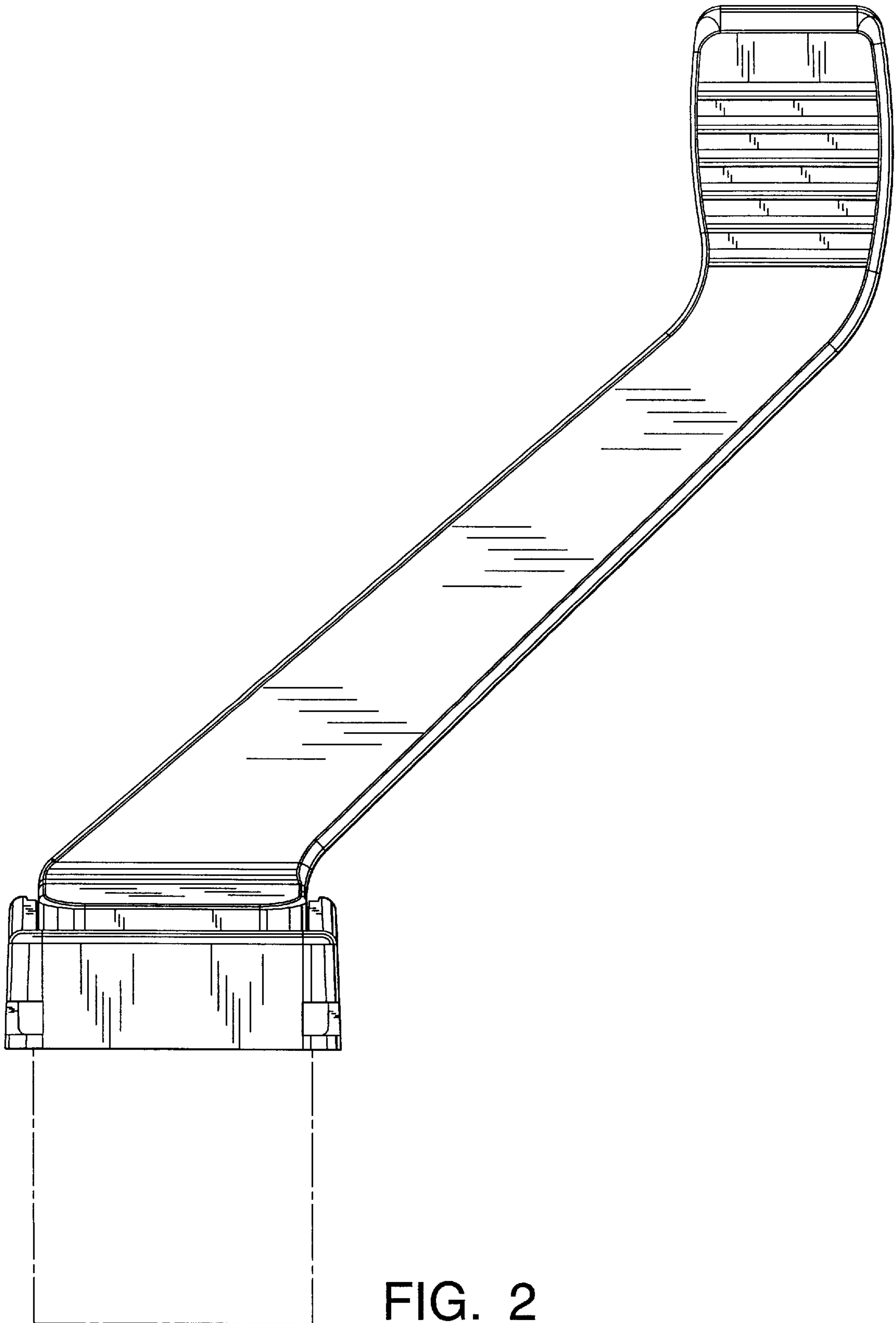


FIG. 2

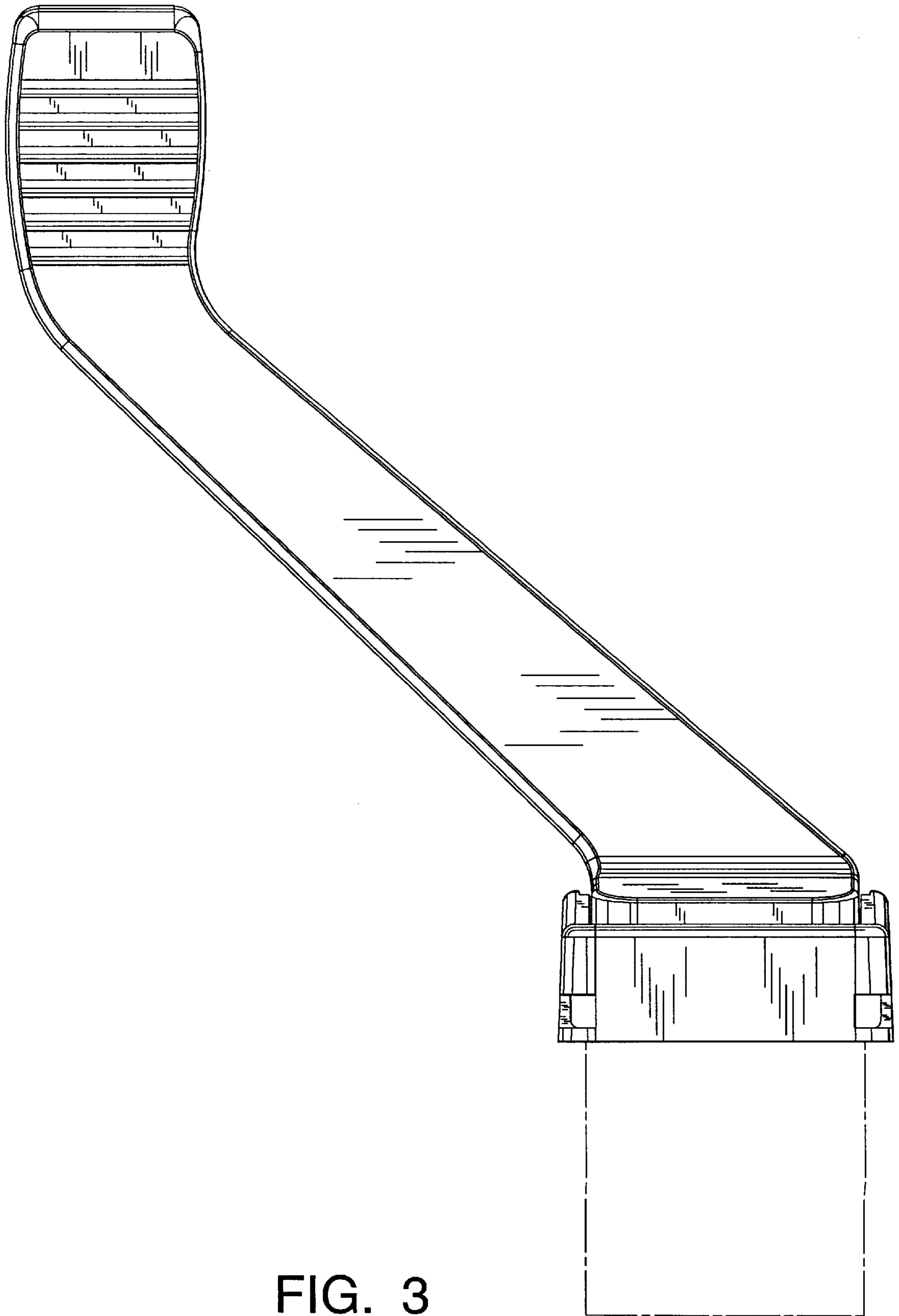


FIG. 3

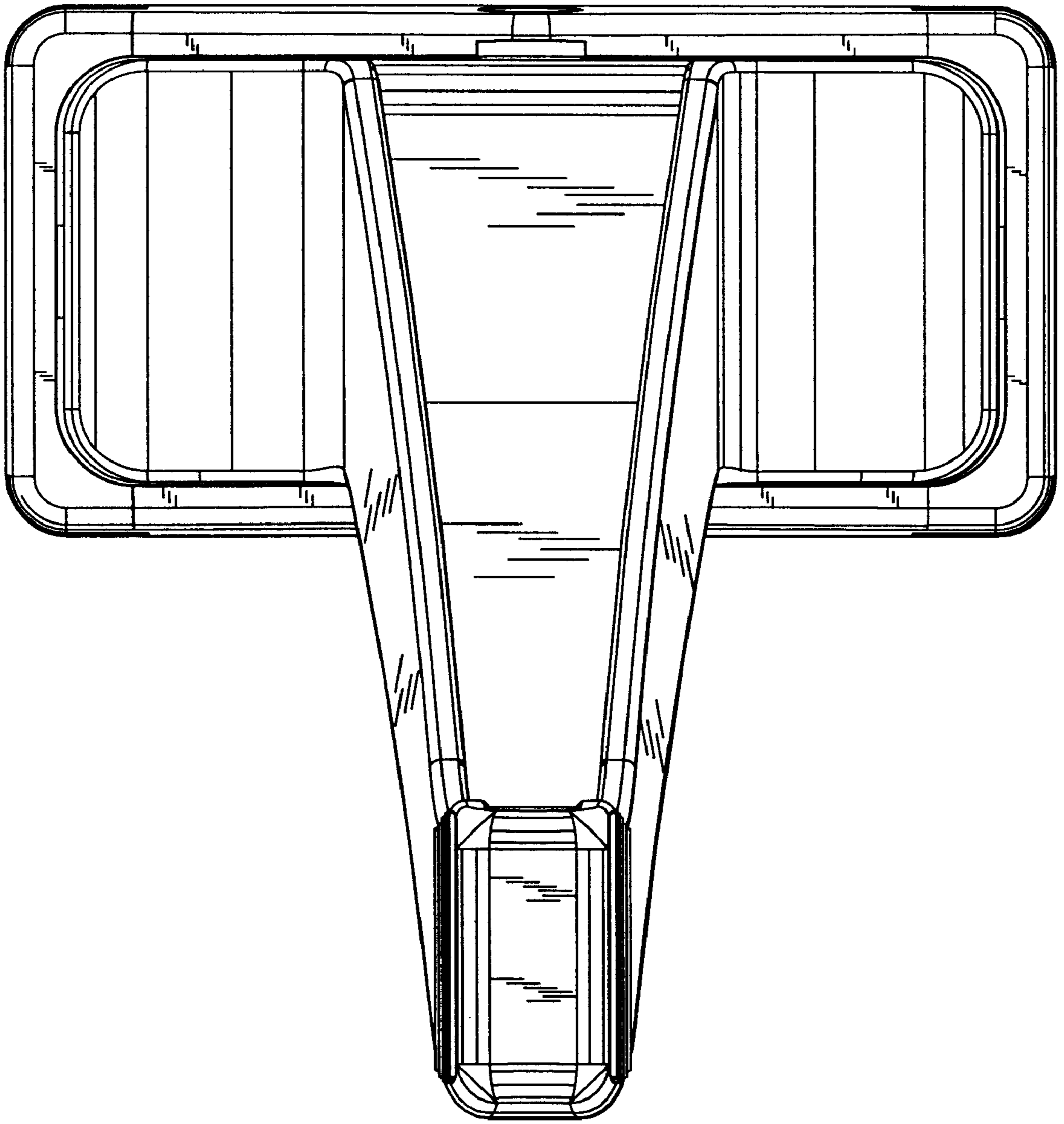


FIG. 4

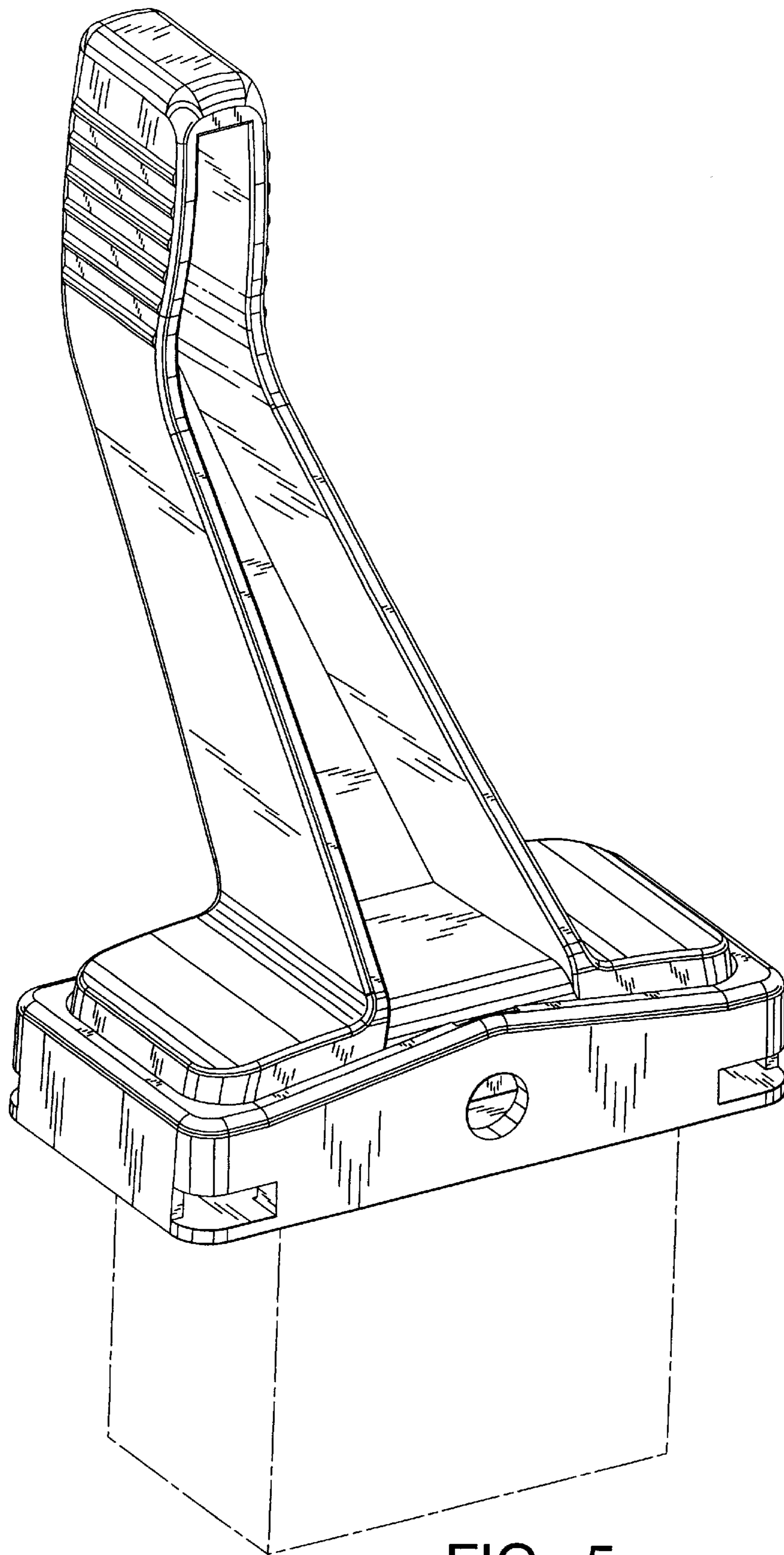


FIG. 5

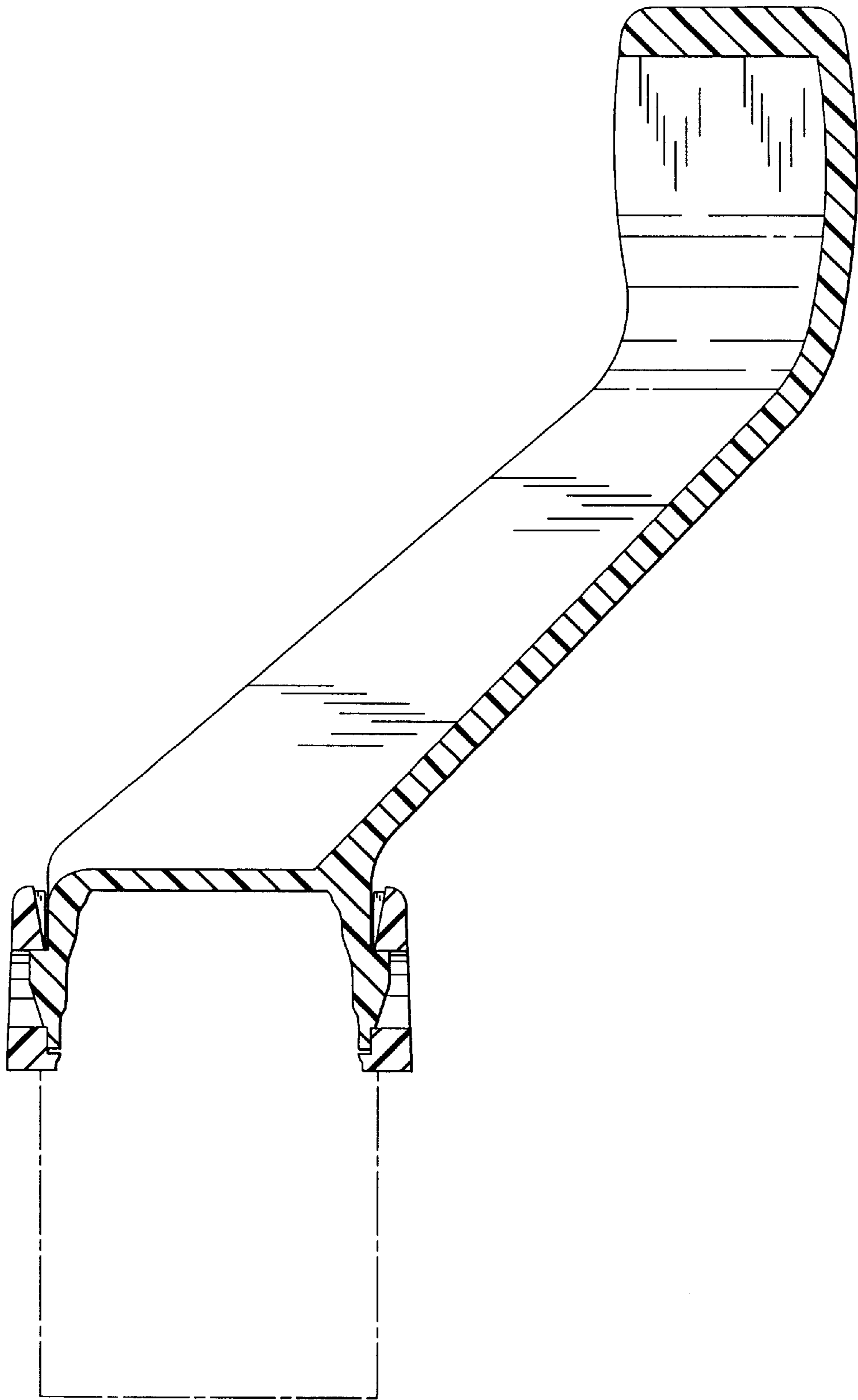


FIG. 6