



US00D427154S

United States Patent [19] Wong

[11] **Patent Number: Des. 427,154**

[45] **Date of Patent: ** Jun. 27, 2000**

[54] **ELECTRICAL SWITCH**

D. 409,152	5/1999	Rao	D13/158
5,728,982	3/1998	Rao et al.	206/6 R
5,750,947	5/1998	Rao et al.	206/6 R

[76] Inventor: **Bun Wong**, 19th Floor, A-8 Wah Kai Industrial Centre, 221 Texaco Road, Tsuen Wan, New Territories, The Hong Kong Special Administrative Region of the People's Republic of China

Primary Examiner—Brian N. Vinson
Attorney, Agent, or Firm—Leydig, Voit & Mayer

[**] Term: **14 Years**

[57] **CLAIM**

[21] Appl. No.: **29/100,251**

The ornamental design for an electrical switch, as shown and described.

[22] Filed: **Feb. 8, 1999**

DESCRIPTION

[30] **Foreign Application Priority Data**

Aug. 25, 1998 [HK] The Hong Kong Special Administrative Region of the People's Republic of China 9811135

FIG. 1 is a front, right side and top perspective view of an electrical switch showing my new design;

FIG. 2 is a rear, right side and bottom perspective view thereof;

[51] **LOC (7) Cl.** **13-03**

FIG. 3 is a top plan view thereof;

[52] **U.S. Cl.** **D13/158**

FIG. 4 is a front elevational view thereof;

[58] **Field of Search** D13/158, 173, D13/174; 200/6.12, 11 R, 303, 329, 336, 564, 570

FIG. 5 is a bottom plan view thereof;

FIG. 6 is a right side elevational view thereof;

FIG. 7 is a rear elevational view thereof; and,

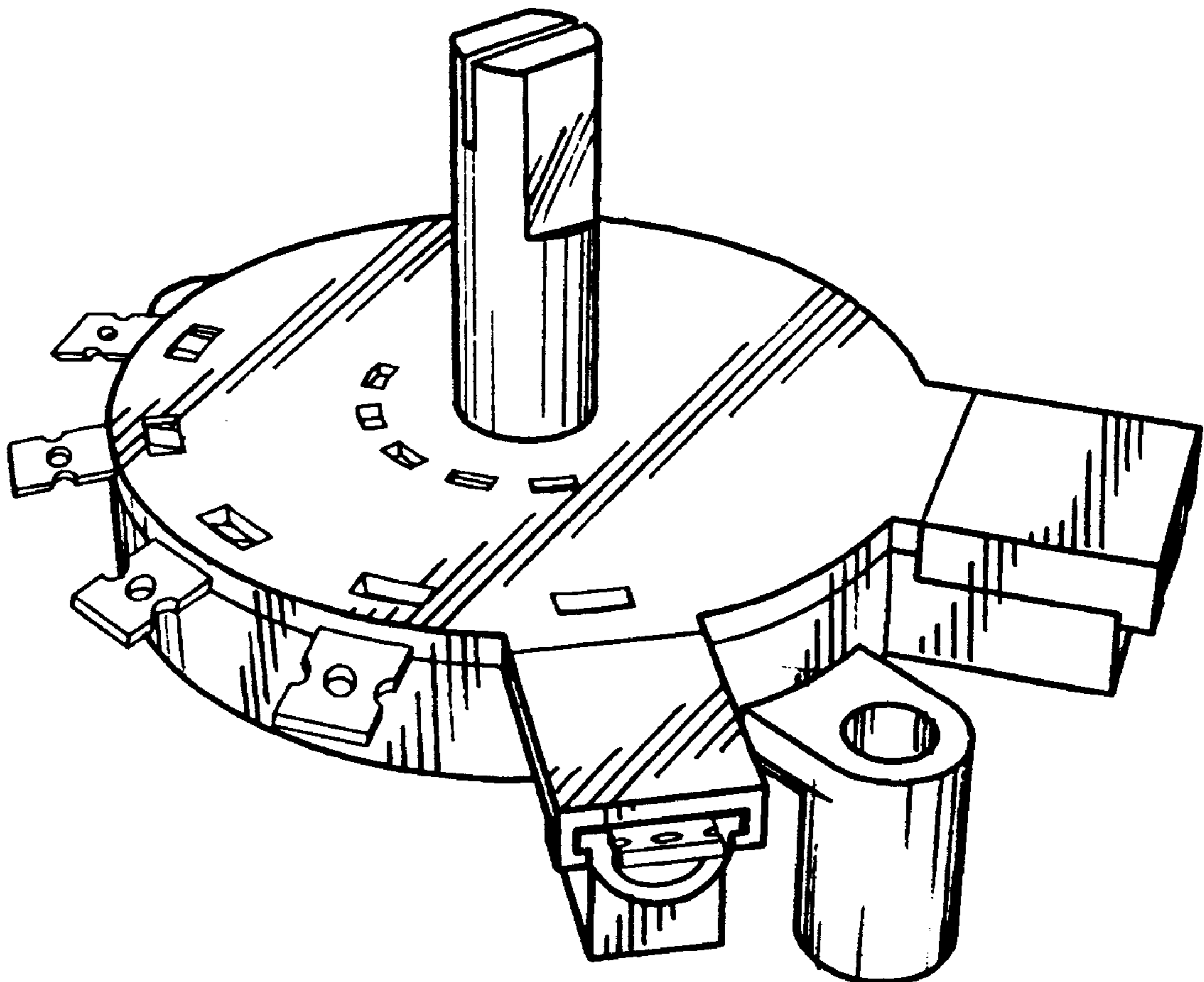
FIG. 8 is a left side elevational view thereof.

[56] **References Cited**

U.S. PATENT DOCUMENTS

D. 387,331 12/1997 Wong D13/158

1 Claim, 3 Drawing Sheets



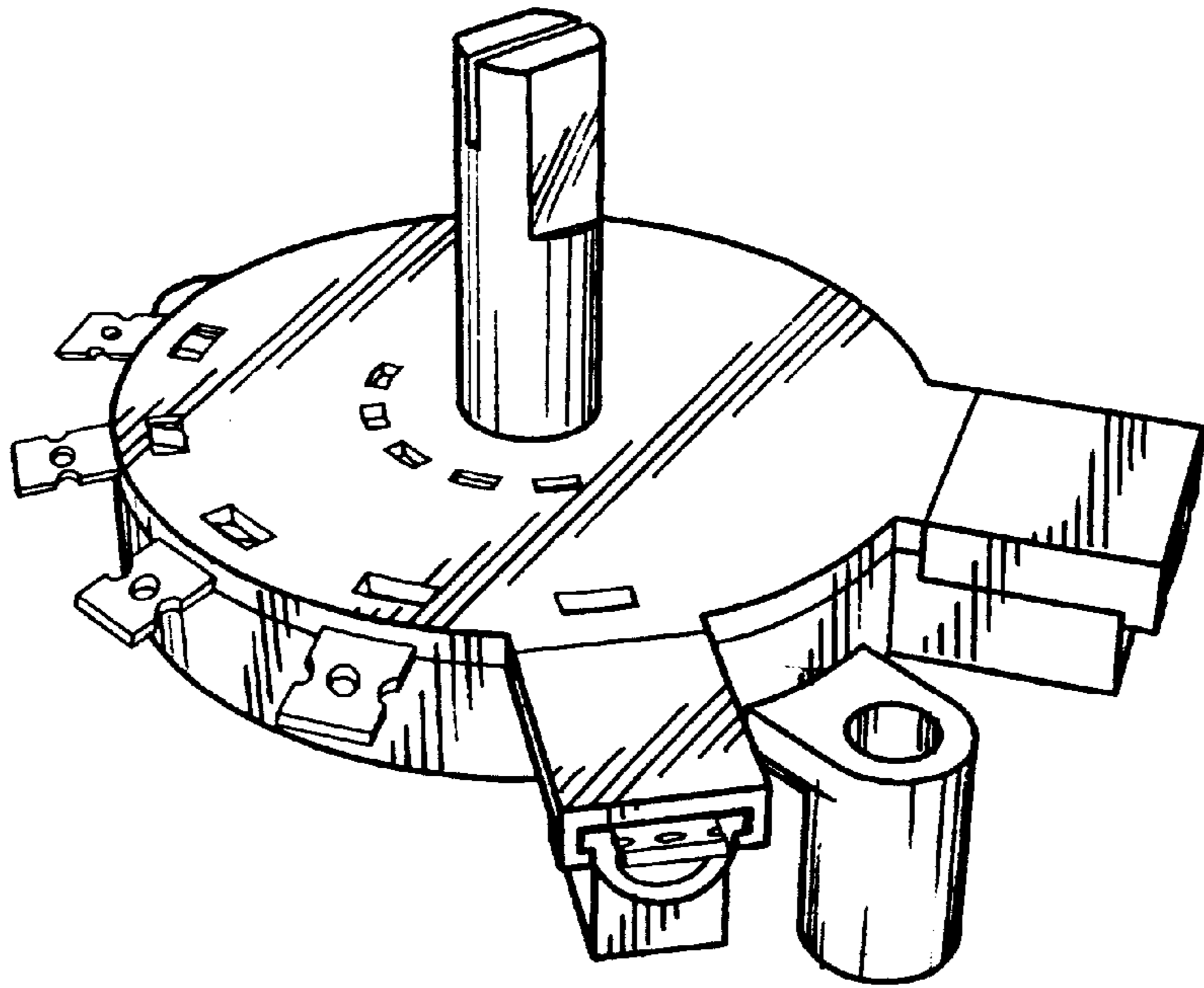


FIG. 1

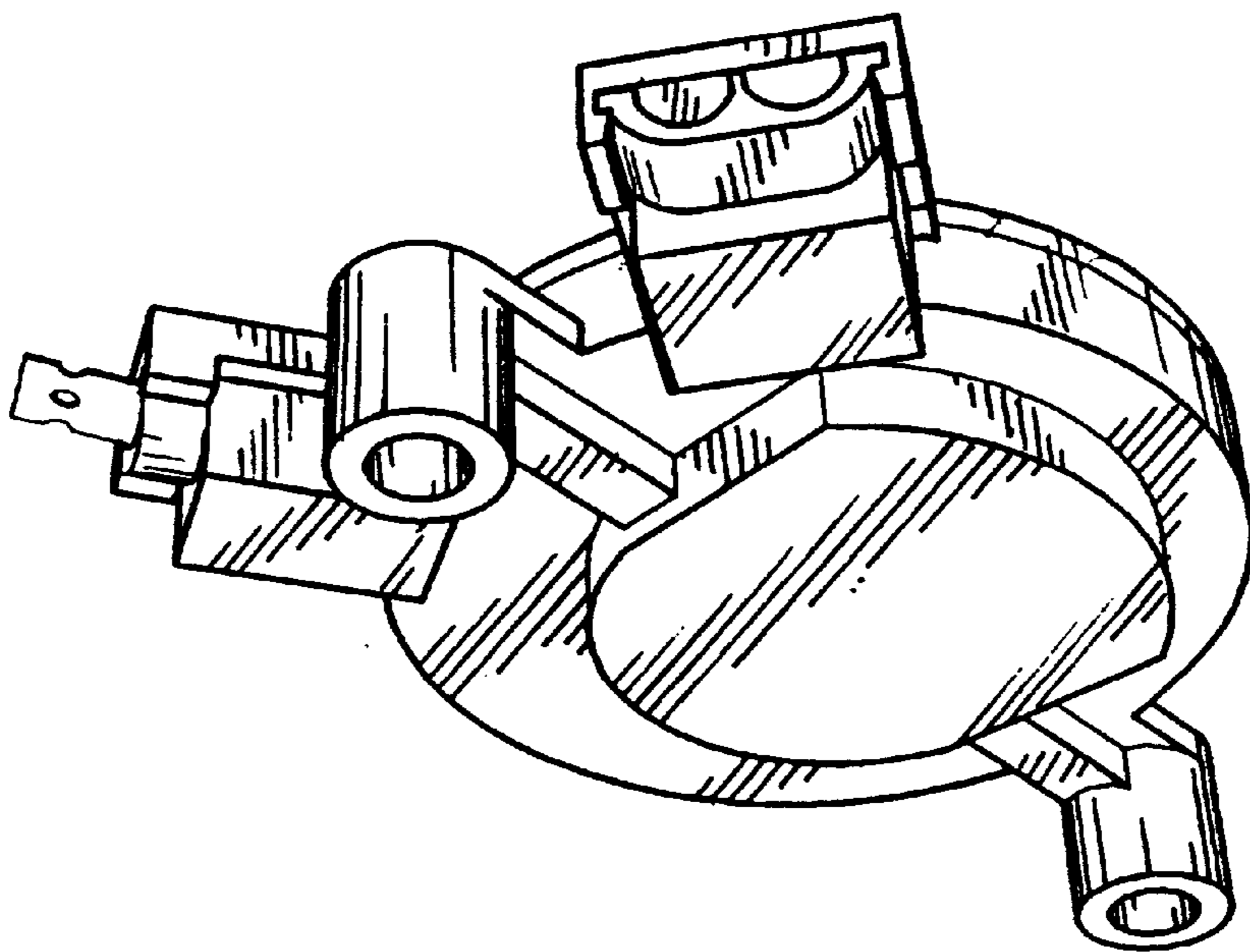


FIG. 2

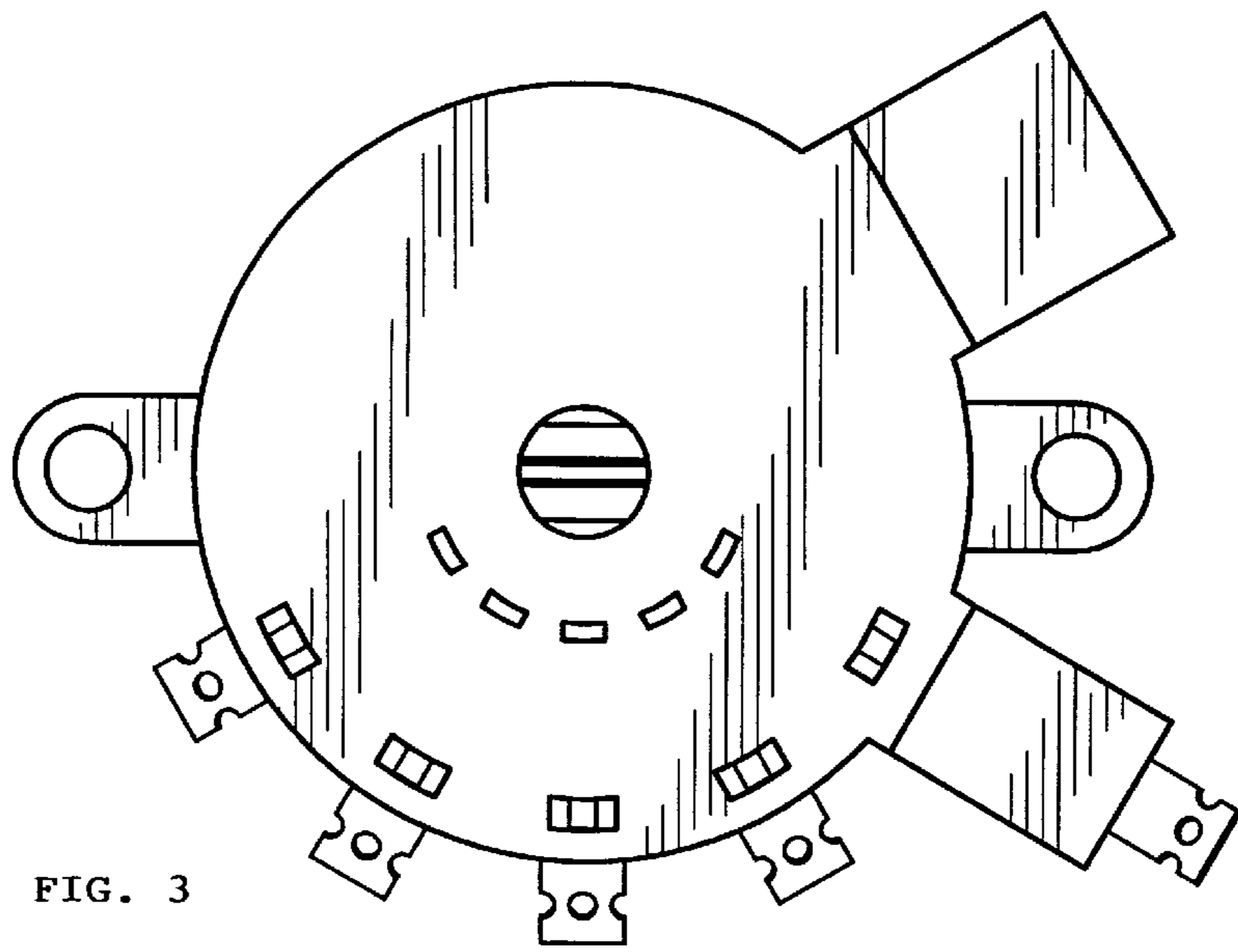


FIG. 3

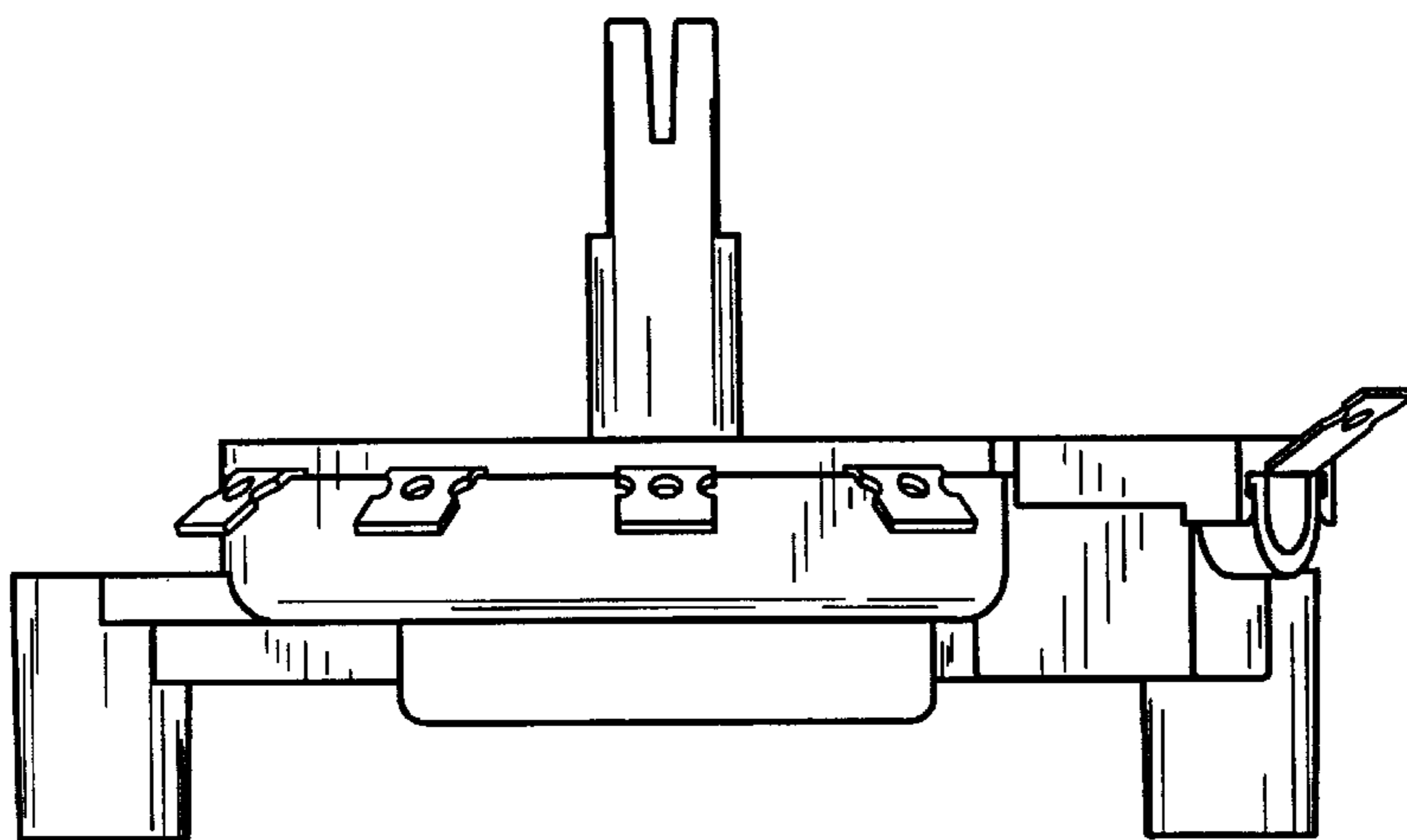


FIG. 4

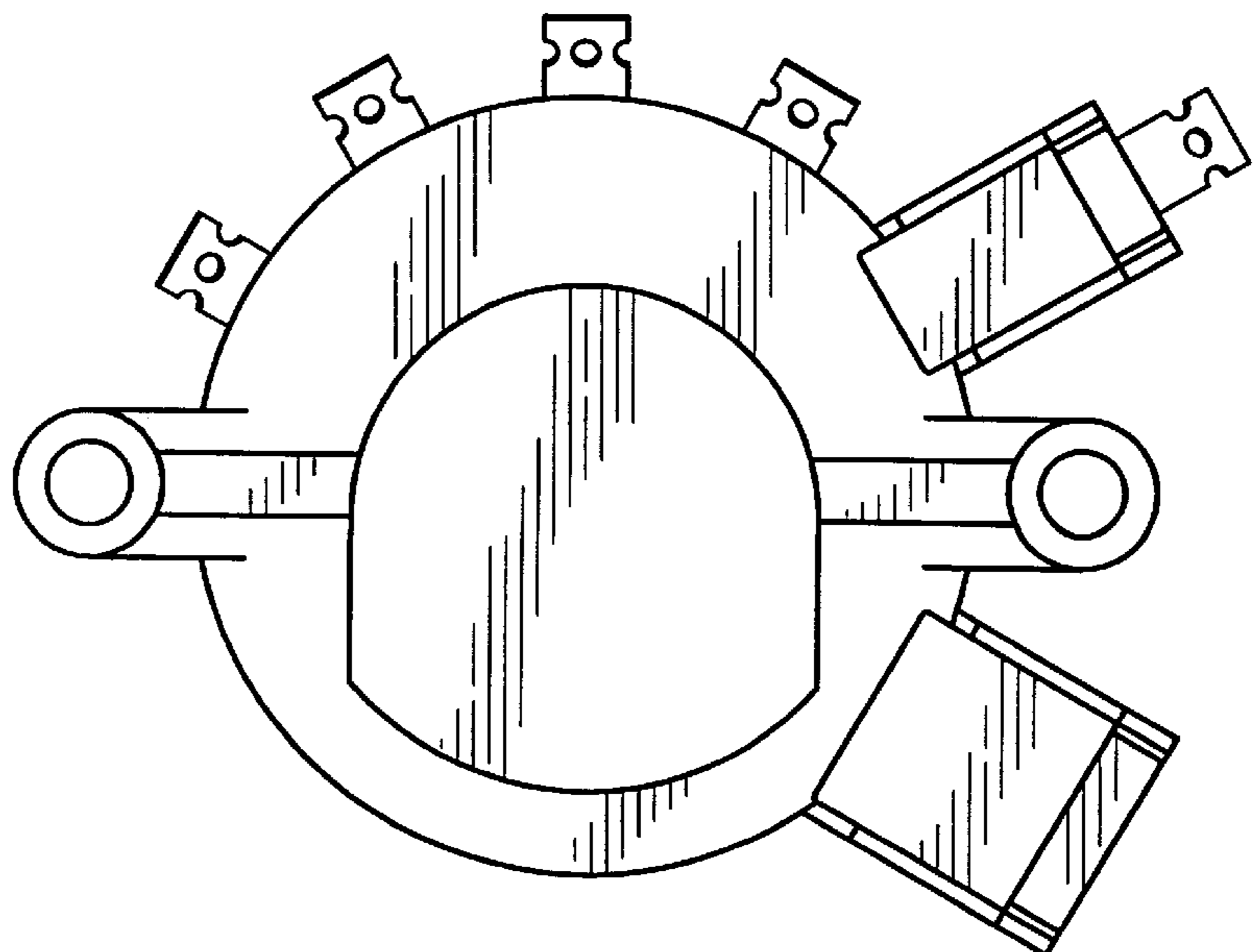


FIG. 5

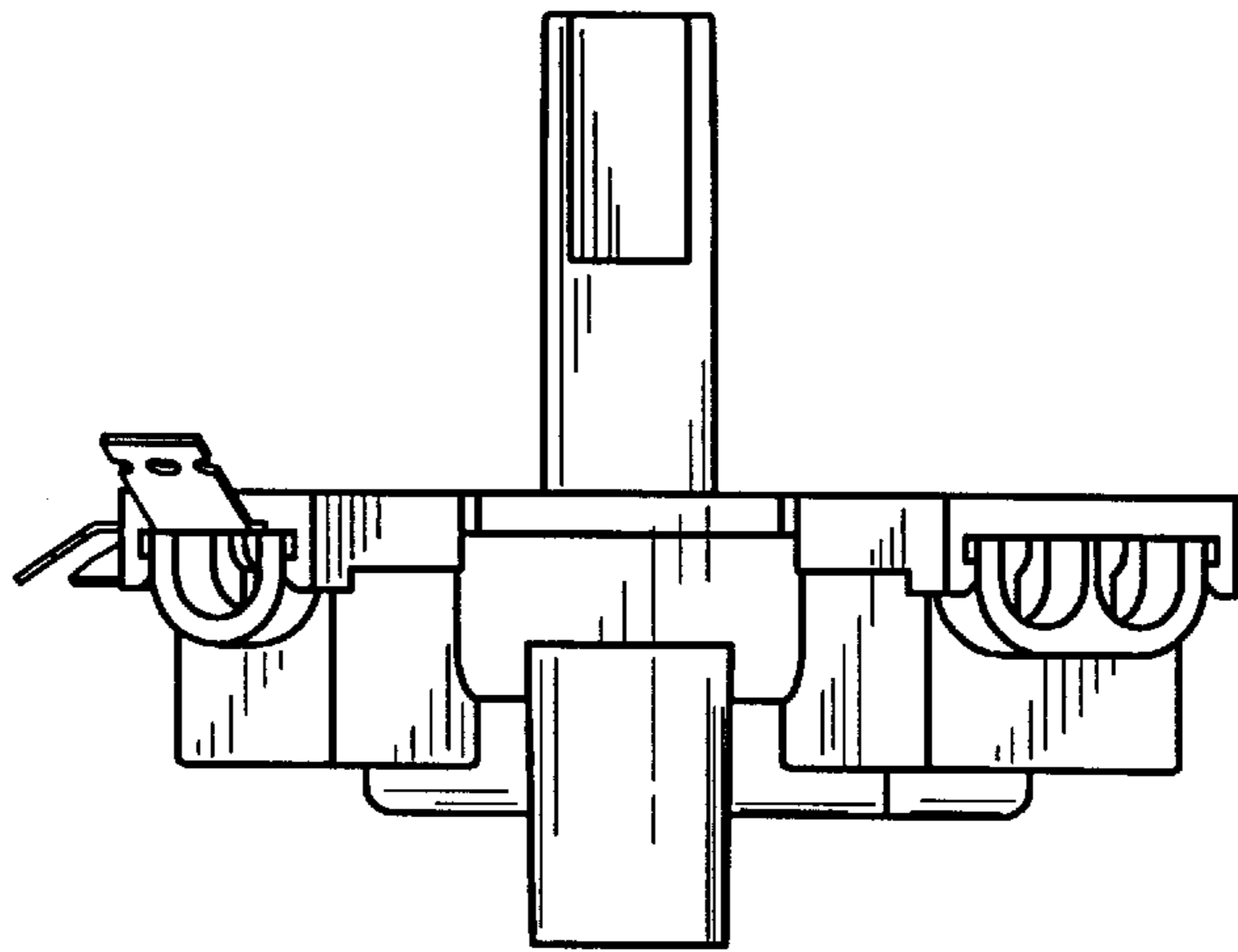


FIG. 6

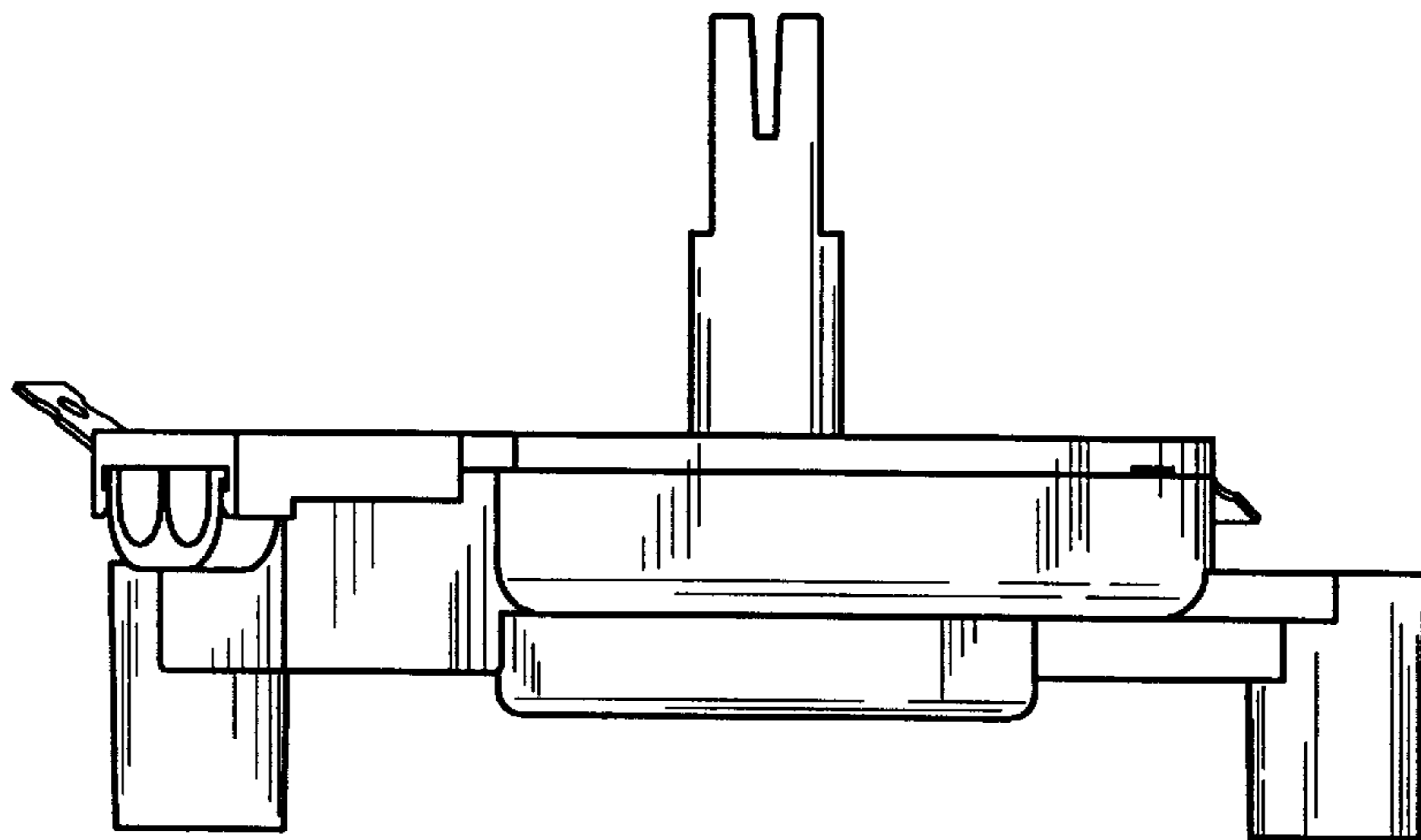


FIG. 7

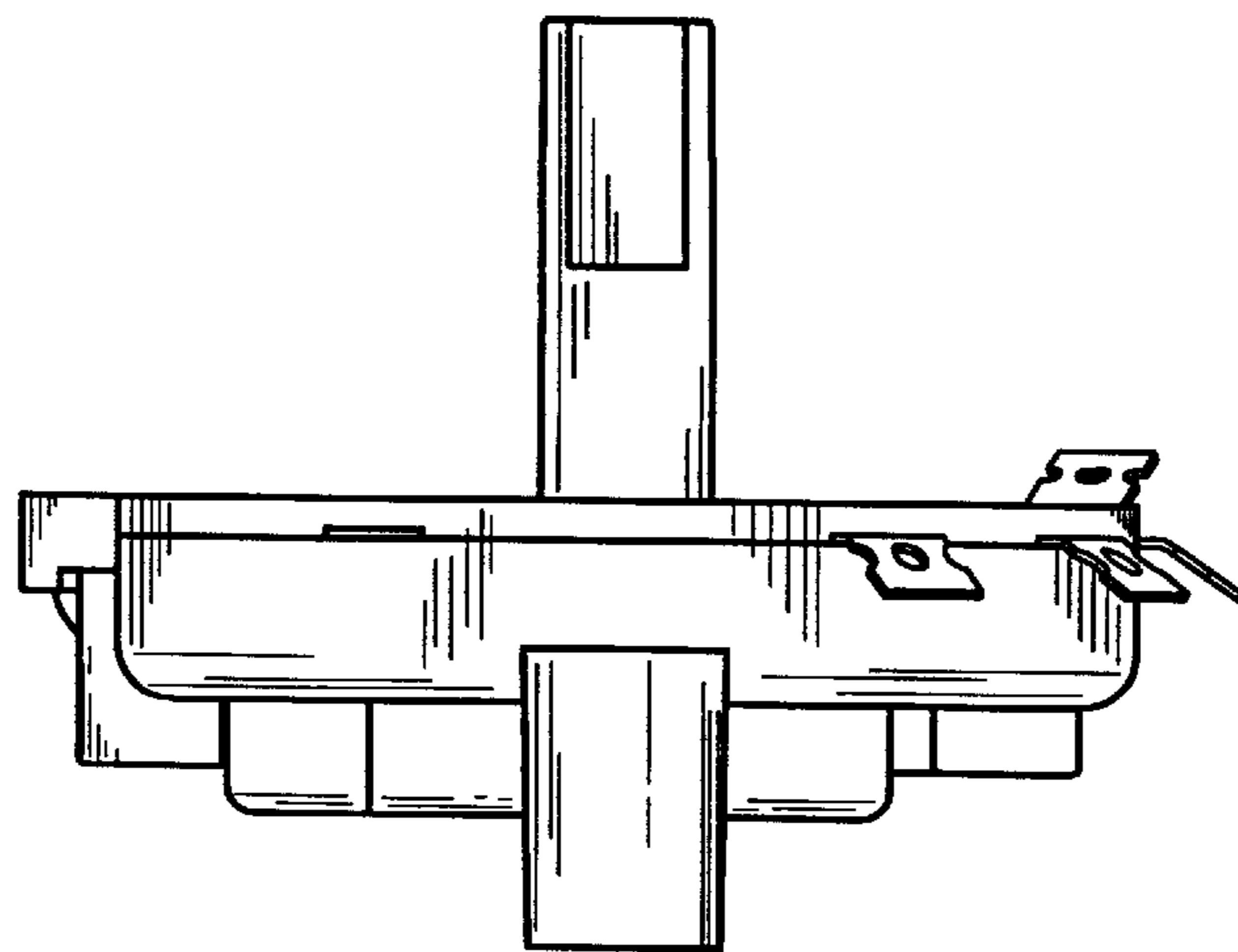


FIG. 8