



US00D427153S

**United States Patent** [19]  
**Taylor**

[11] **Patent Number: Des. 427,153**

[45] **Date of Patent: \*\* Jun. 27, 2000**

[54] **SWITCH COVER**

[75] Inventor: **John F. Taylor**, Ortonville, Mich.

[73] Assignee: **Safety Technology International, Inc.**,  
Waterford, Mich.

[\*\*] Term: **14 Years**

[21] Appl. No.: **29/093,754**

[22] Filed: **Sep. 17, 1998**

[51] **LOC (7) Cl.** ..... **13-03**

[52] **U.S. Cl.** ..... **D13/158; D10/106; D10/108**

[58] **Field of Search** ..... **D10/104, 106,**  
**D10/108; D13/156, 158, 171; 200/43.04,**  
**43.11, 43.13, 43.18, 314**

[56] **References Cited**

**U.S. PATENT DOCUMENTS**

D. 197,278	1/1964	Stevenson	.....	D13/171
D. 339,108	9/1993	Bergeron	.....	D13/158
D. 371,123	6/1996	Amundsen	.....	D10/108
D. 376,130	12/1996	Elwell et al.	.....	D13/158

*Primary Examiner*—Adir Aronovich  
*Attorney, Agent, or Firm*—Gifford, Krass, Groh, Sprinkle,  
Anderson & Citkowski, P.C.

[57] **CLAIM**

The ornamental design for a switch cover, as shown and described.

**DESCRIPTION**

FIG. 1 is a top, left side perspective view of a switch cover showing my new design;

FIG. 2 is a top elevational view of the design shown in FIG. 1;

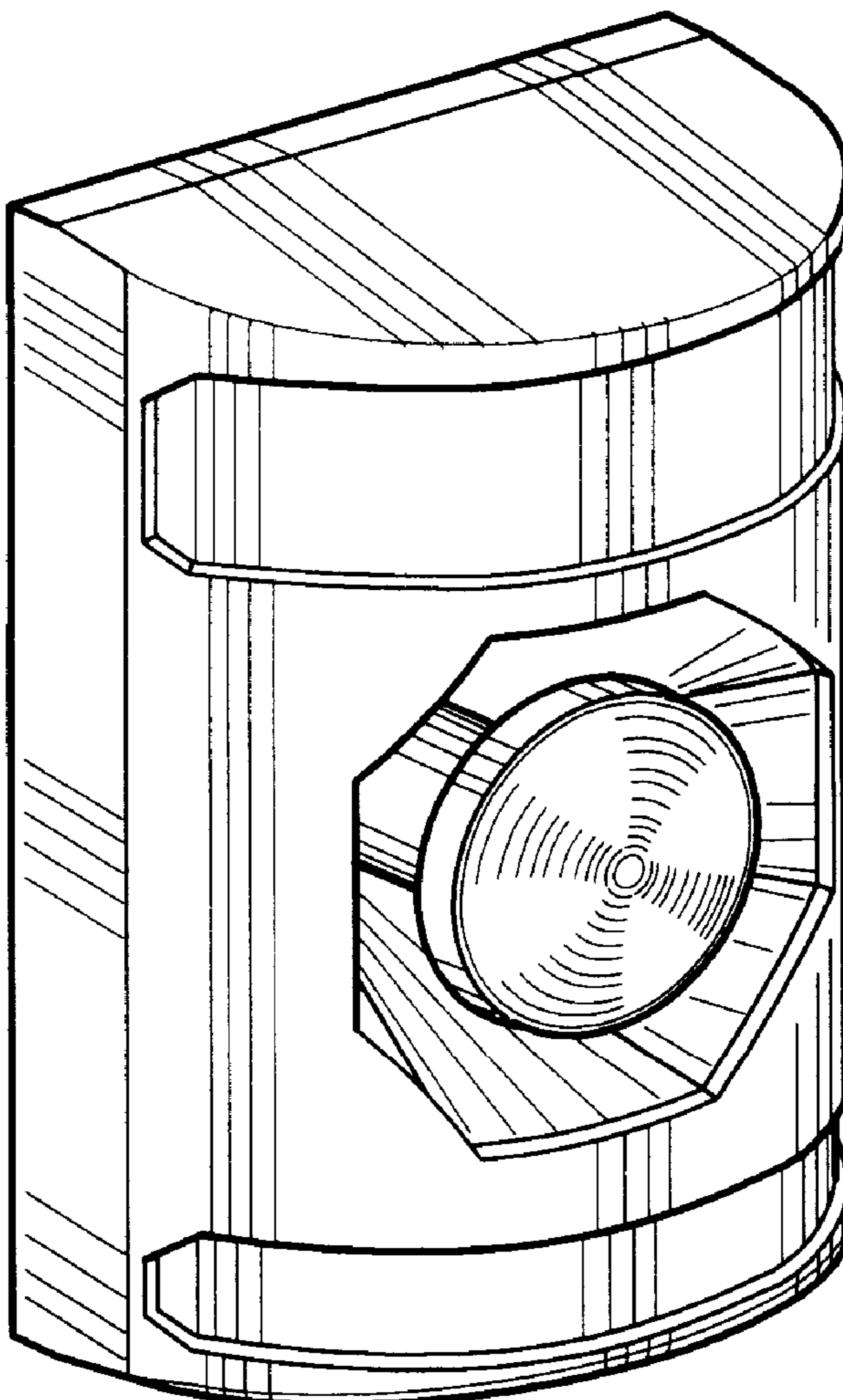
FIG. 3 is a front elevational view as seen from the left side of FIG. 1;

FIG. 4 is a bottom elevational view of the design shown in FIG. 1;

FIG. 5 is a right side elevational view of the design shown in FIG. 1; and,

FIG. 6 is a rear elevational view of the design shown in FIG. 1.

**1 Claim, 1 Drawing Sheet**



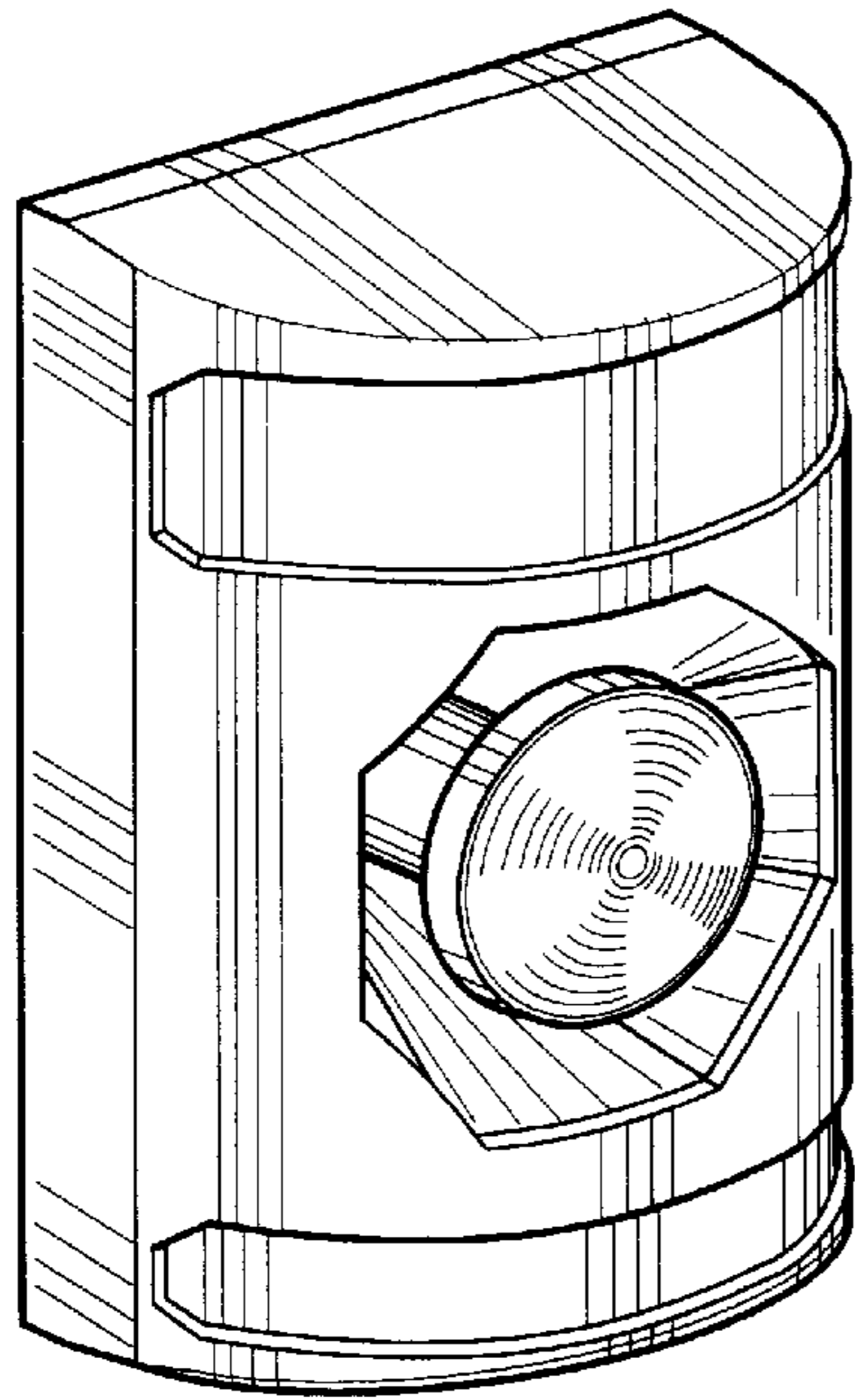


Fig-1

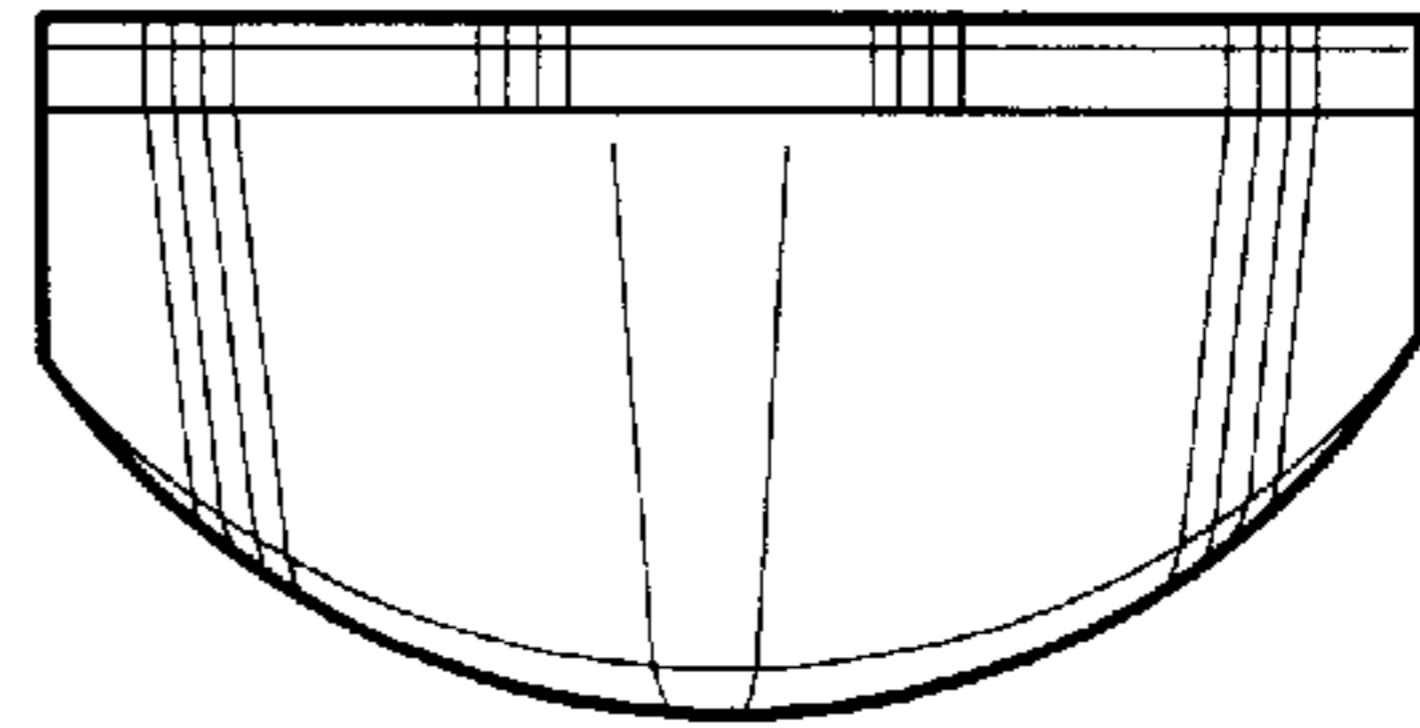


Fig-2

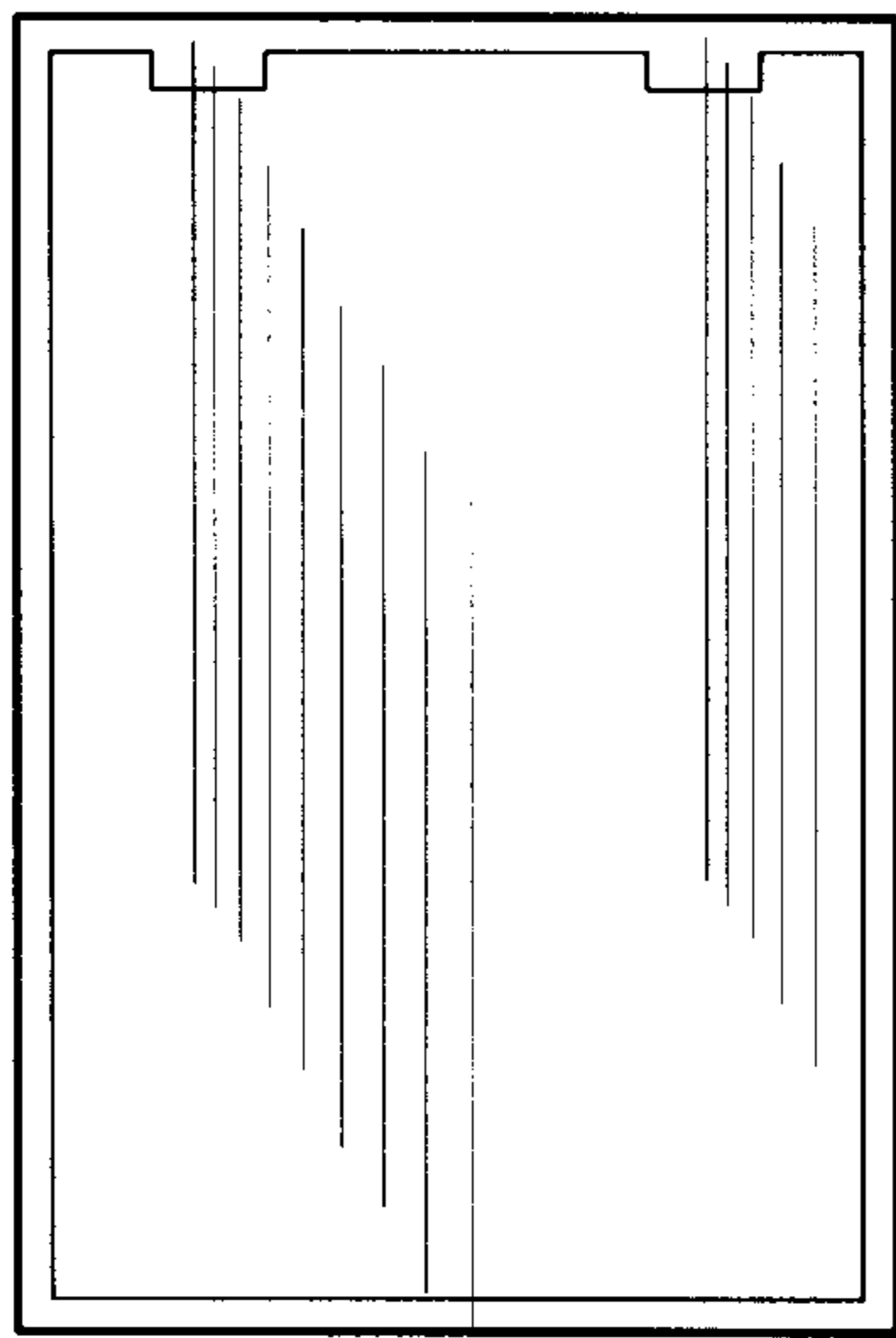


Fig-6

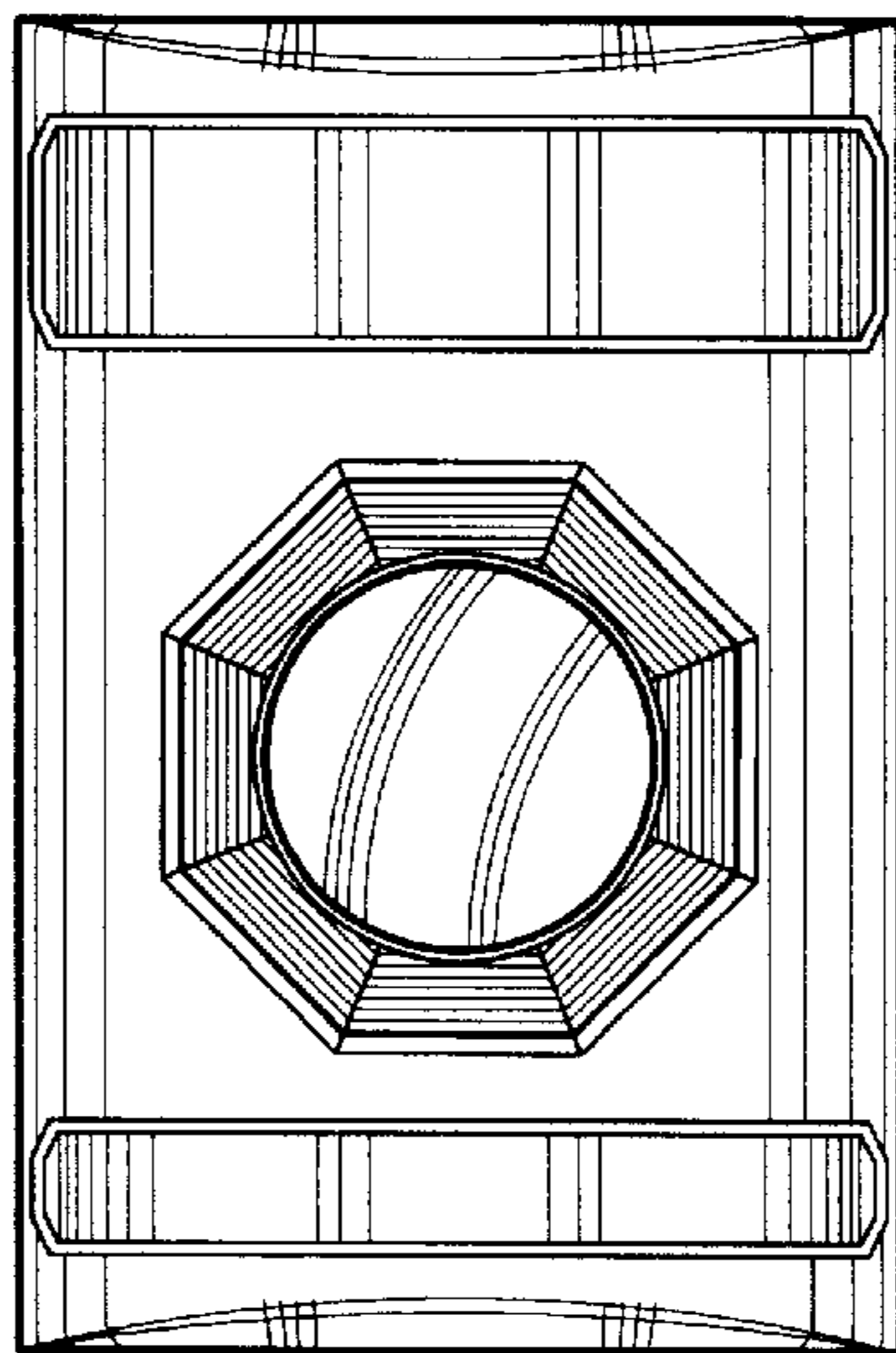


Fig-3

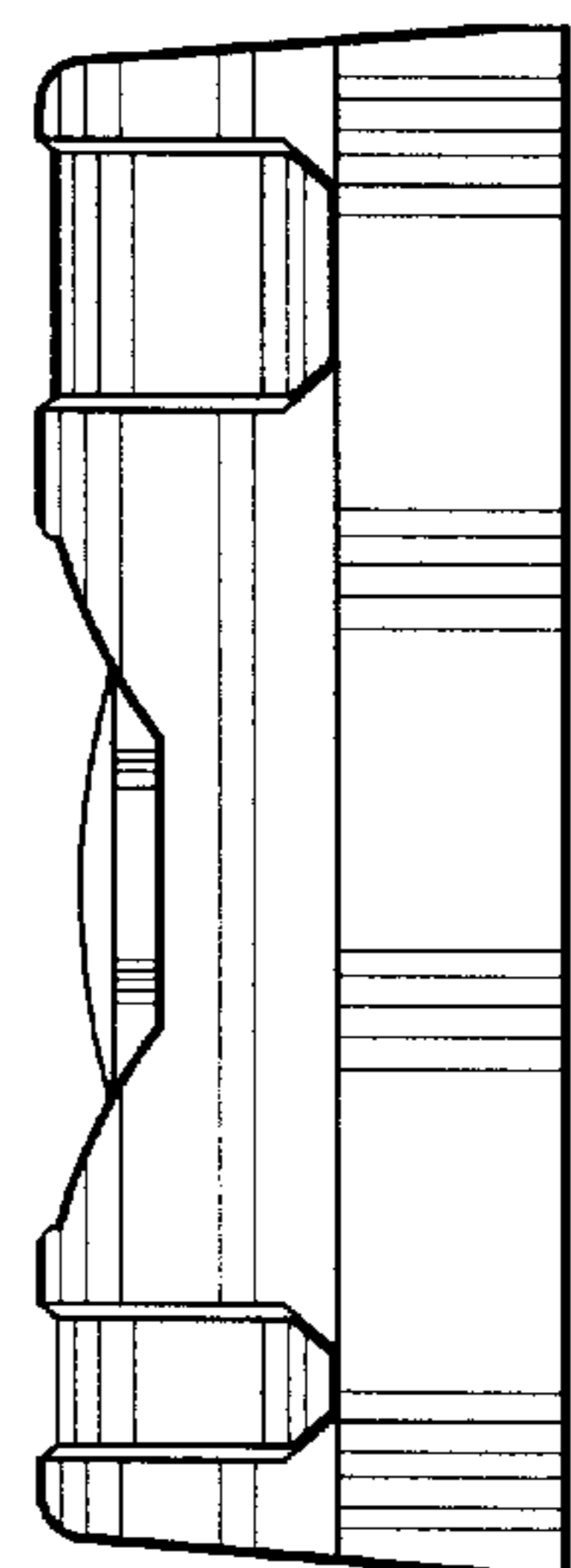


Fig-5

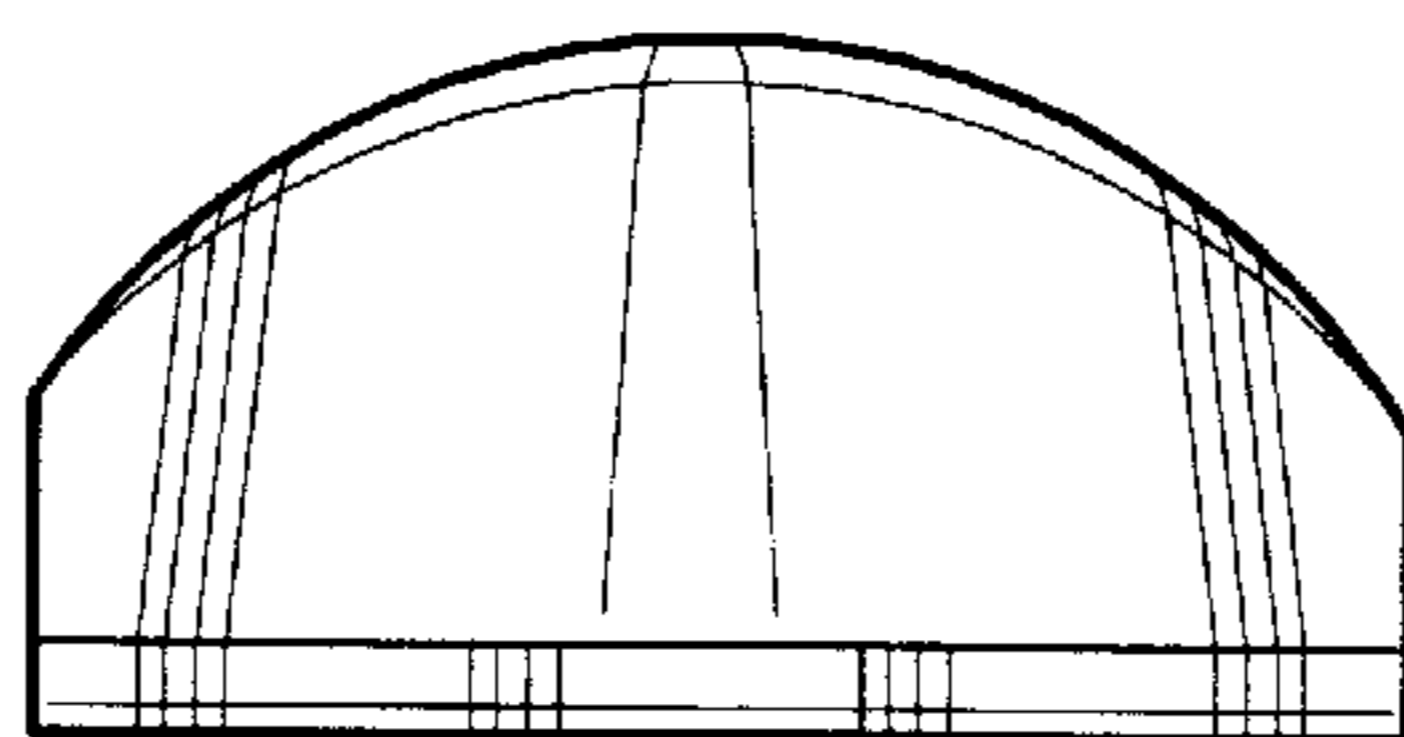


Fig-4