



US00D427151S

United States Patent [19]

Byrd et al.

[11] Patent Number: Des. 427,151

[45] Date of Patent: ** Jun. 27, 2000

[54] **TERMINAL MODULE**

196 25 093

A1 10/1997 Germany .

[75] Inventors: **Timothy J. Byrd**, Goffstown, N.H.;
Robert A. Orlando, North Andover,
Mass.; **Helmut Zimmermann**,
Hammersbach, Germany

OTHER PUBLICATIONS

Color photographs of prior art Terminal Block (5 photographs, 3 sheets).

[73] Assignee: **Schneider Automation, Inc.**, North
Andover, Mass.

Primary Examiner—Joel Sincavage
Attorney, Agent, or Firm—Larry I. Golden; Michael J.
Femal

[**] Term: **14 Years**

[21] Appl. No.: **29/084,744**

[57] CLAIM

We claim the ornamental design for a “terminal module,” as shown and described.

[22] Filed: **Mar. 9, 1998**

[51] **LOC (7) Cl.** **13-03**

[52] **U.S. Cl.** **D13/154**

[58] **Field of Search** D13/184, 199;
361/690, 730, 752, 796, 823, 824, 829,
831

DESCRIPTION

FIG. 1 is a perspective view of a terminal module according to the invention;
FIG. 2 is a right side view of the terminal module of FIG. 1;
FIG. 3 is a left side view of the terminal module of FIG. 1;
FIG. 4 is a front view of the terminal module of FIG. 1;
FIG. 5 is a rear view of the terminal module of FIG. 1;
FIG. 6 is a top view of the terminal module of FIG. 1; and,
FIG. 7 is a bottom view of the terminal module of FIG. 1.

[56] References Cited

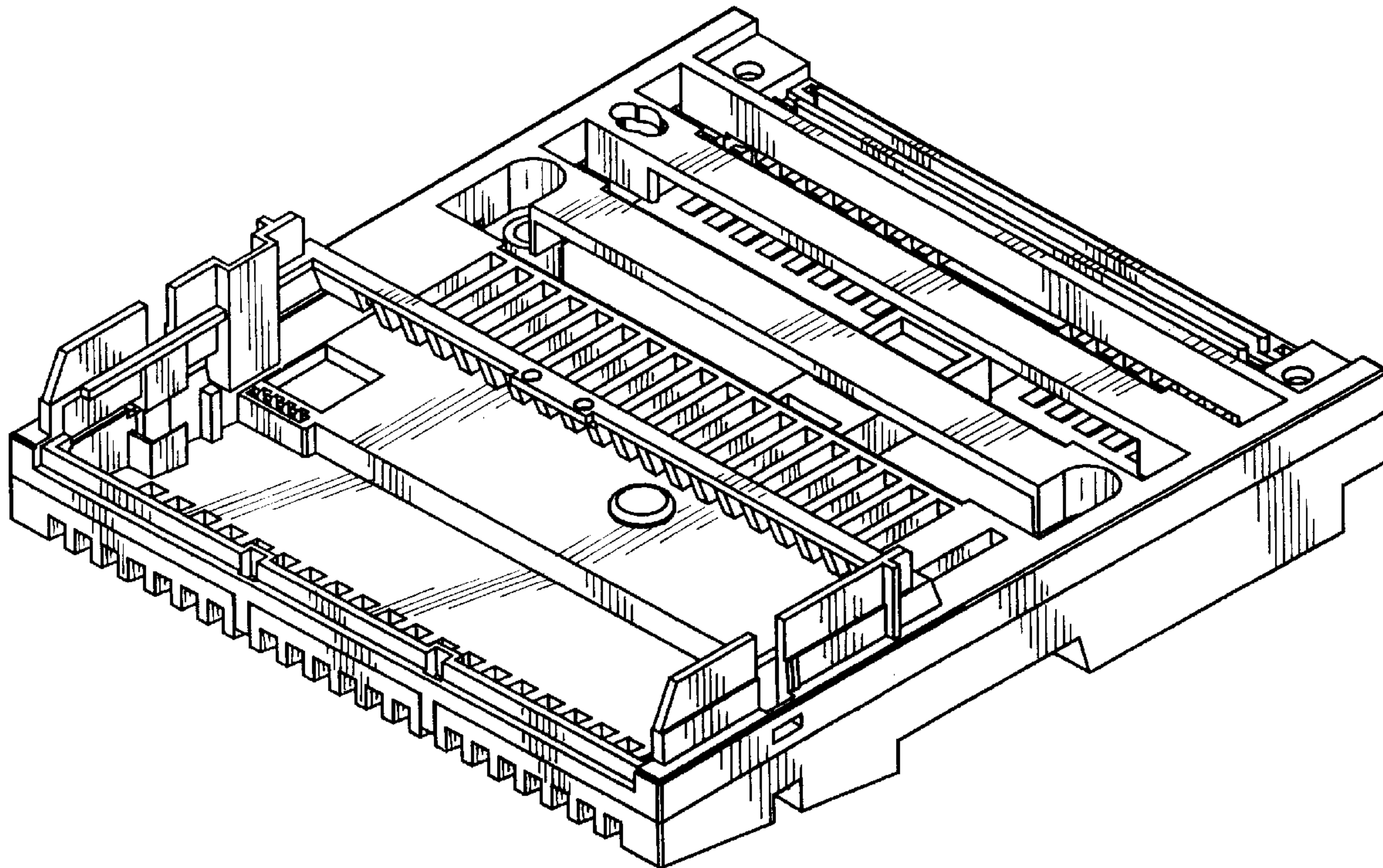
U.S. PATENT DOCUMENTS

4,729,064 3/1988 Singer, Jr. 361/824
5,796,585 8/1998 Sugiyama et al. 361/829 X

FOREIGN PATENT DOCUMENTS

44 10 171 C1 4/1995 Germany .

1 Claim, 4 Drawing Sheets



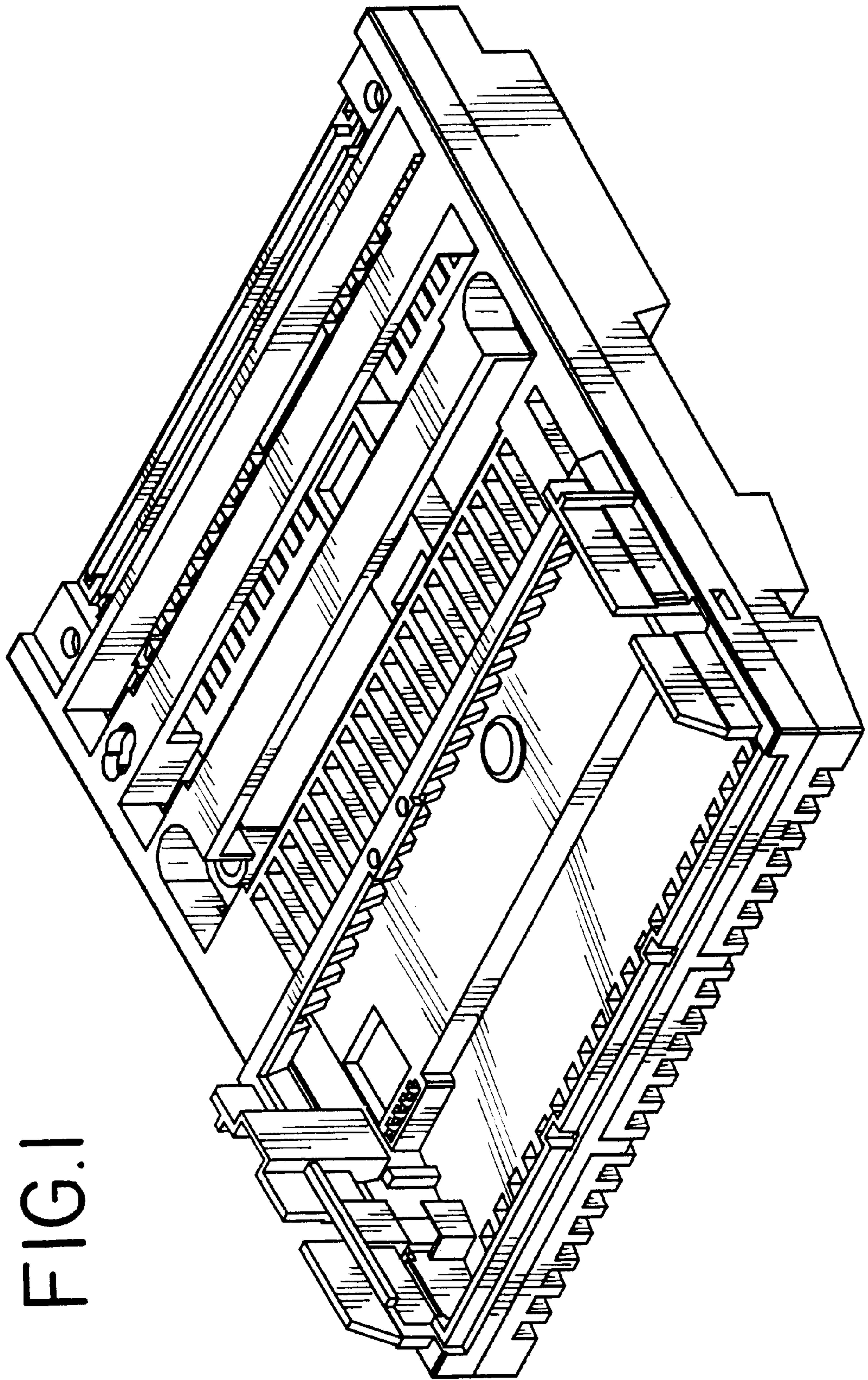


FIG. 1

FIG.2

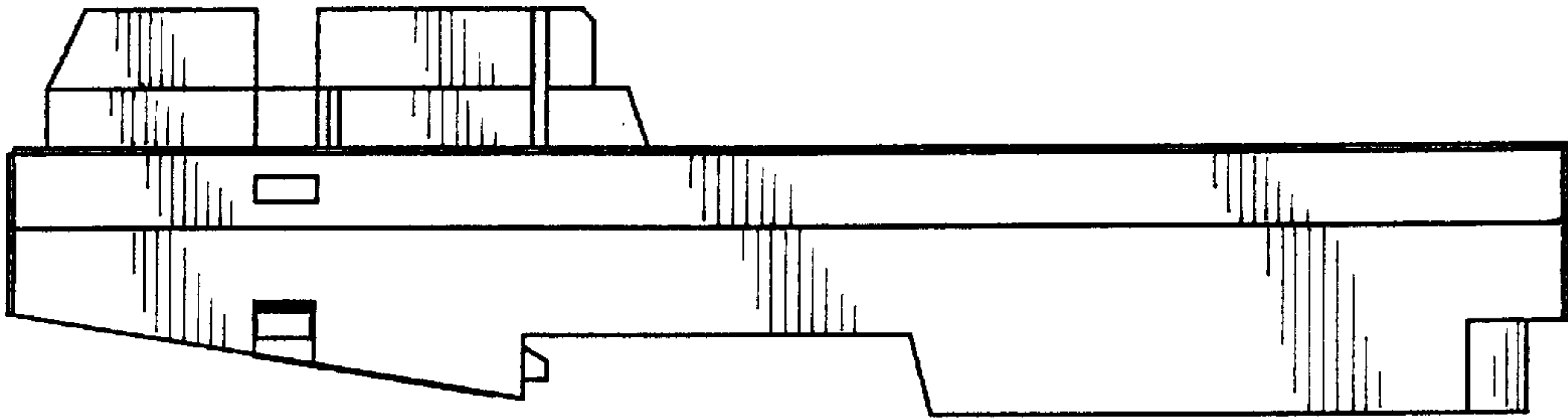


FIG.3

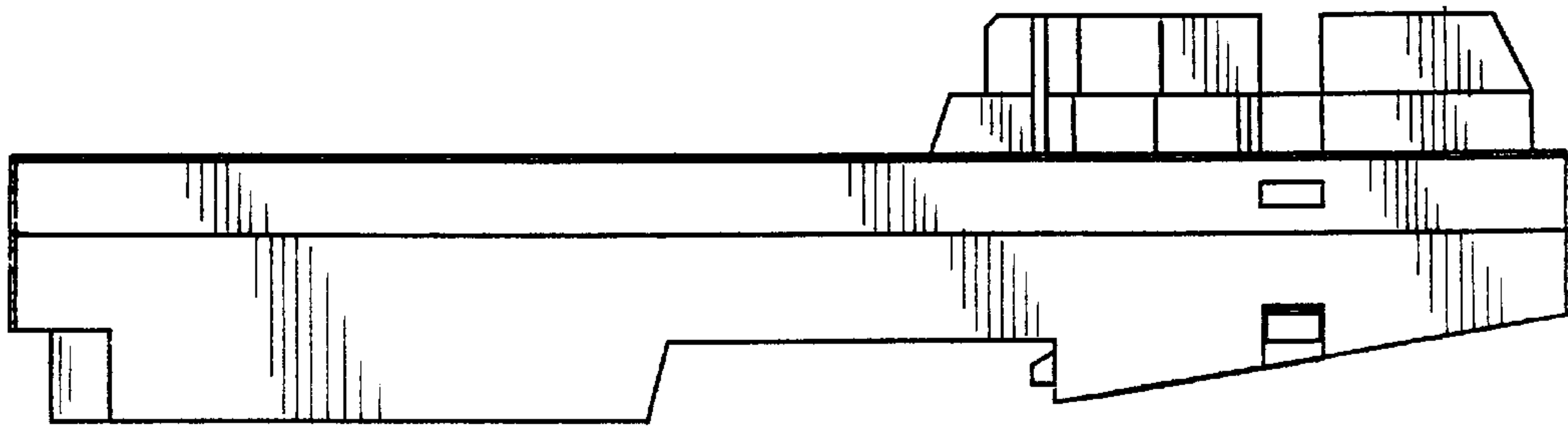


FIG.4

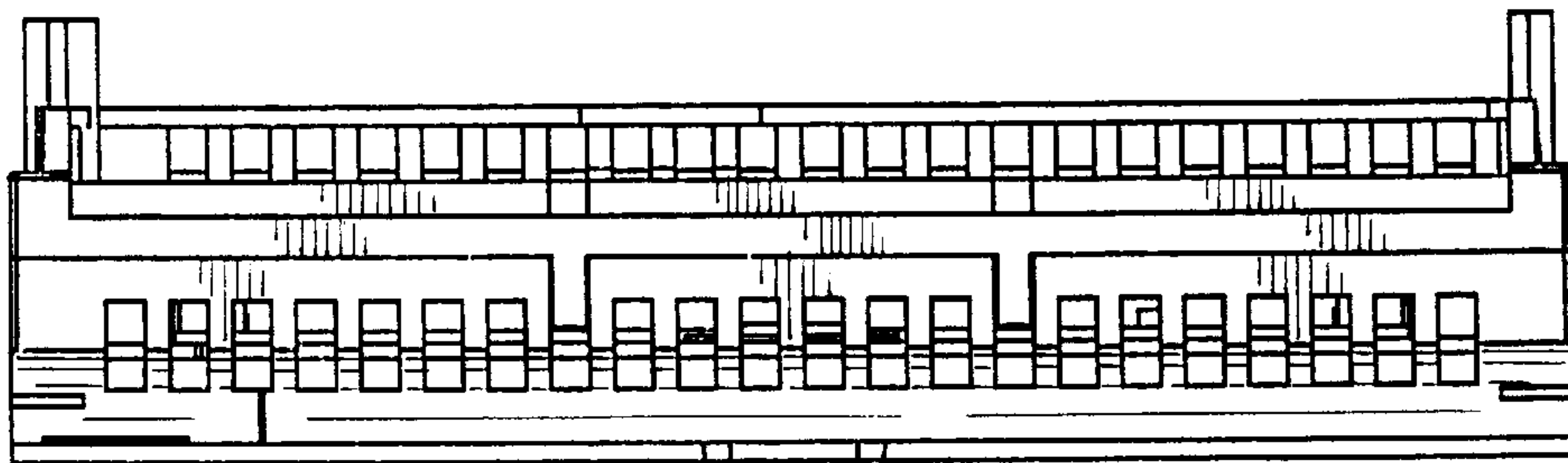


FIG.5

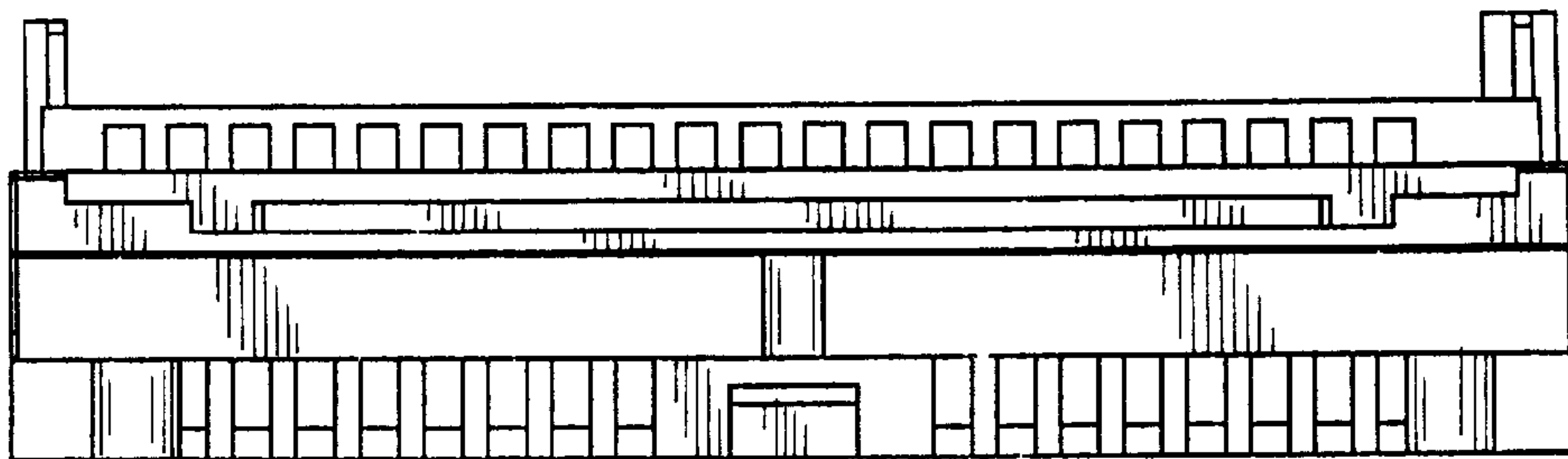


FIG.6

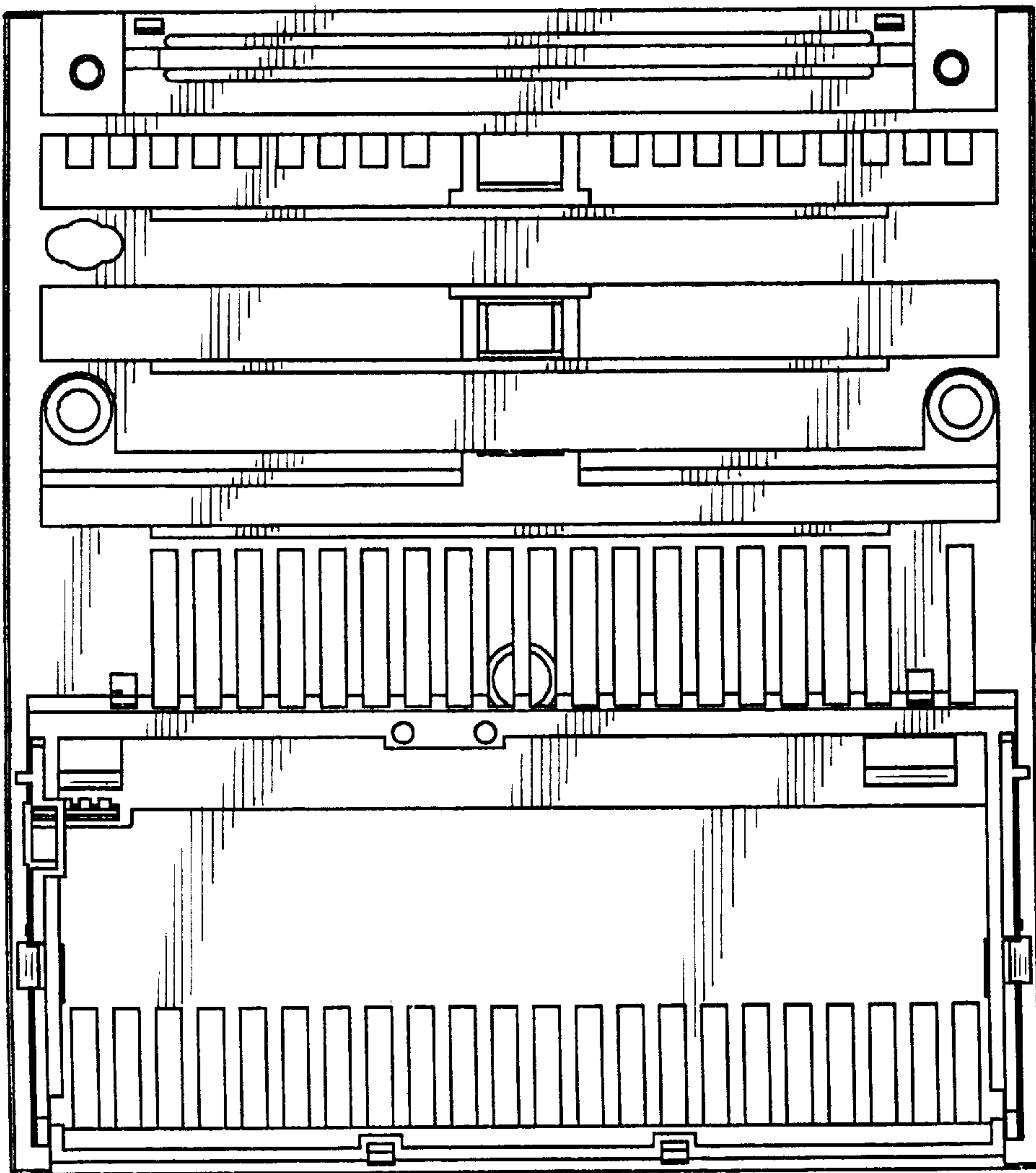


FIG. 7

