



US00D427150S

United States Patent [19] Kuo

[11] **Patent Number: Des. 427,150**

[45] **Date of Patent: ** Jun. 27, 2000**

[54] **CABLE CONNECTOR**

5,254,019 10/1993 Noschese 439/681
5,267,882 12/1993 Davis 439/610 X

[75] Inventor: **Peter Kuo**, Chung-Ho, Taiwan

Primary Examiner—Joel Sincavage
Attorney, Agent, or Firm—Wei Te Chung

[73] Assignee: **Hon Hai Precision Ind. Co., Ltd.**,
Taipei Hsien, Taiwan

[57] **CLAIM**

[**] Term: **14 Years**

The ornamental design for a cable connector, as shown and described.

[21] Appl. No.: **29/114,345**

DESCRIPTION

[22] Filed: **Nov. 19, 1999**

[51] **LOC (7) Cl.** **13-03**

[52] **U.S. Cl.** **D13/147**

[58] **Field of Search** D13/146, 147;
439/607, 610

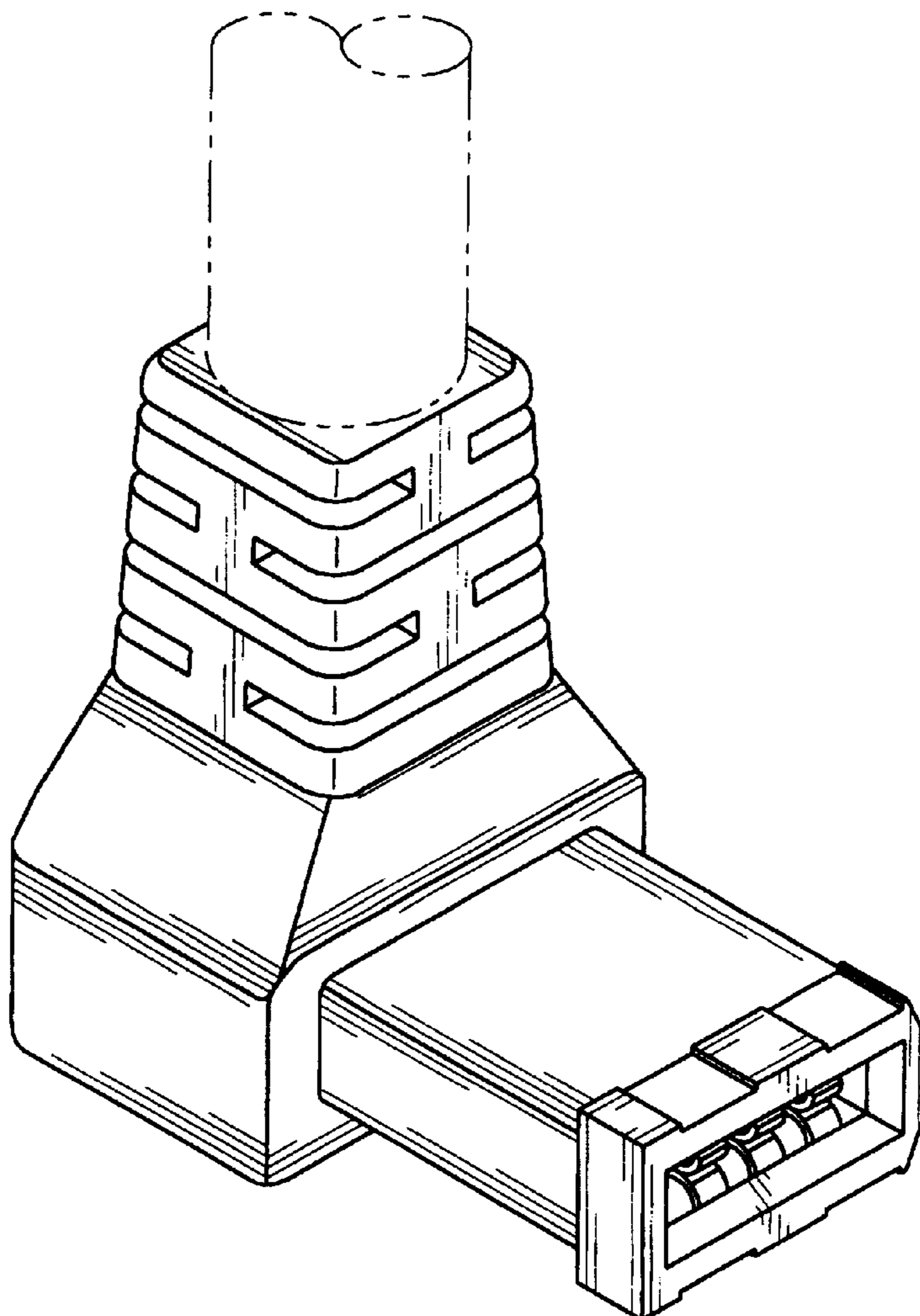
FIG. 1 is a front, top and left side perspective view of a cable connector showing my new design;
FIG. 2 is a front elevational view thereof;
FIG. 3 is a rear elevational view thereof;
FIG. 4 is a left side elevational view thereof;
FIG. 5 is a right side elevational view thereof;
FIG. 6 is a top plan view thereof; and,
FIG. 7 is a bottom plan view thereof.
The cable end shown in phantom lines in FIG. 1 is for illustrative purposes only.

[56] **References Cited**

U.S. PATENT DOCUMENTS

- D. 281,416 11/1985 Buscher et al. D13/147
- D. 366,646 1/1996 Carr D13/146
- 4,606,595 8/1986 Dola 439/404

1 Claim, 5 Drawing Sheets



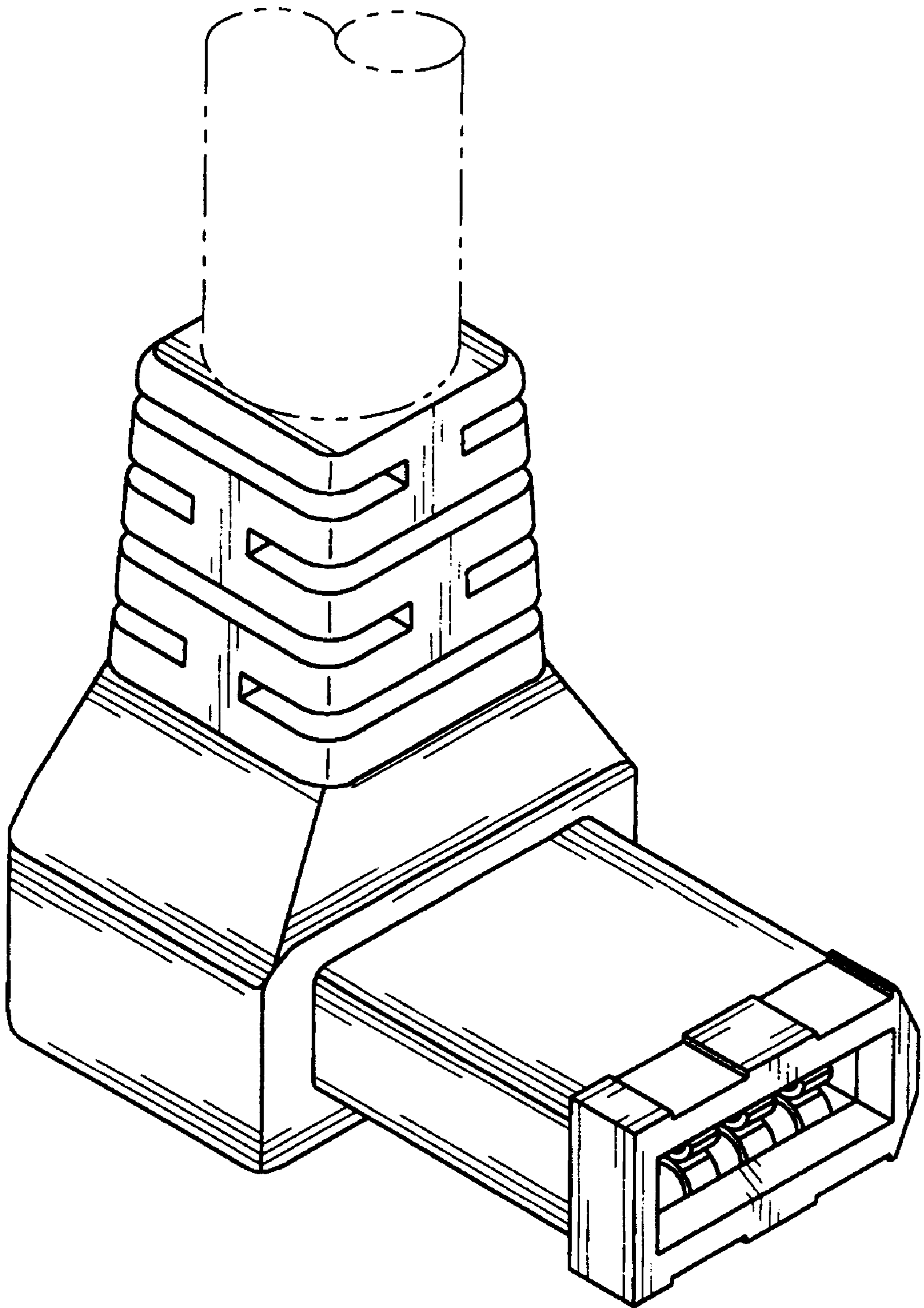


FIG. 1

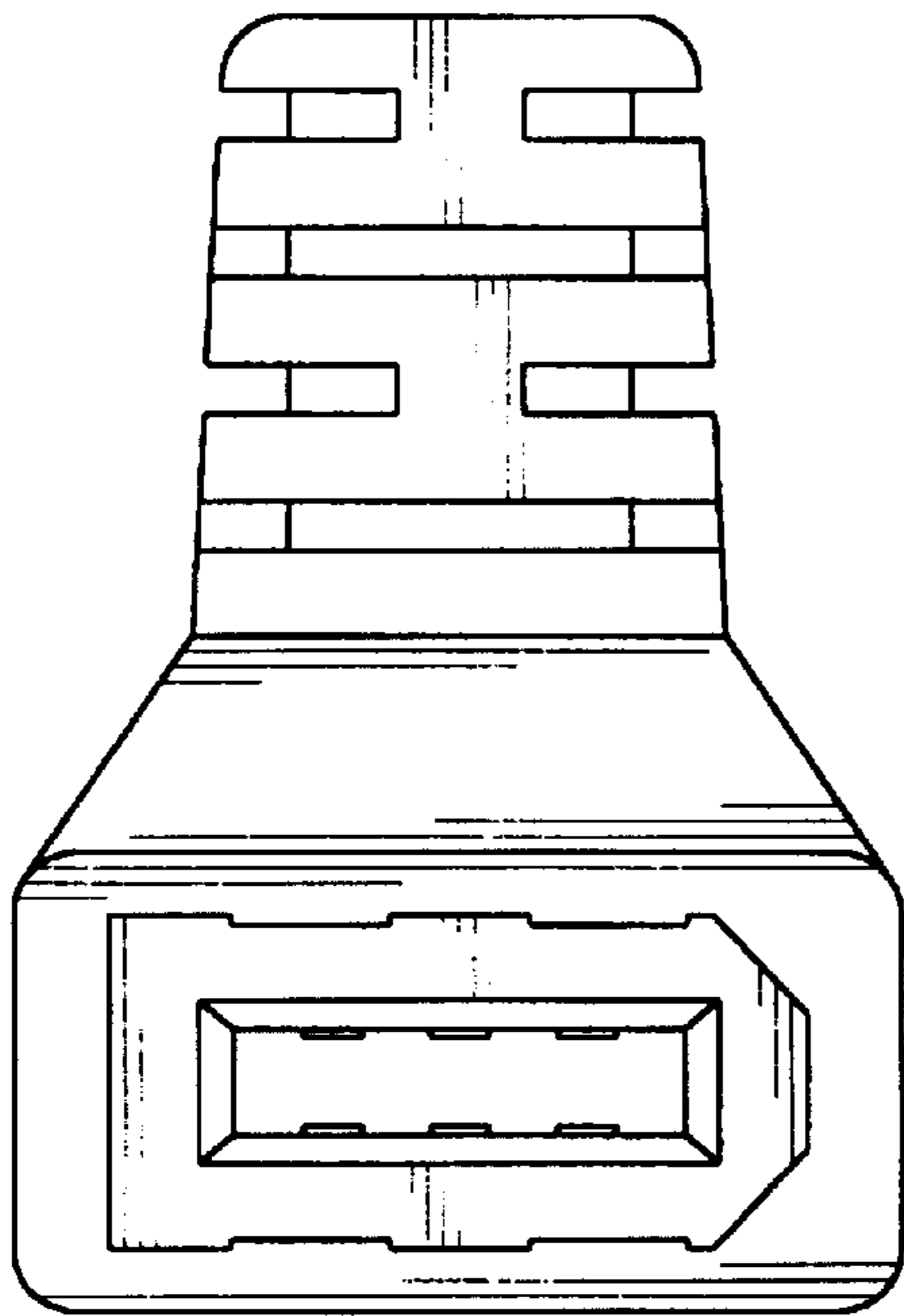


FIG. 2

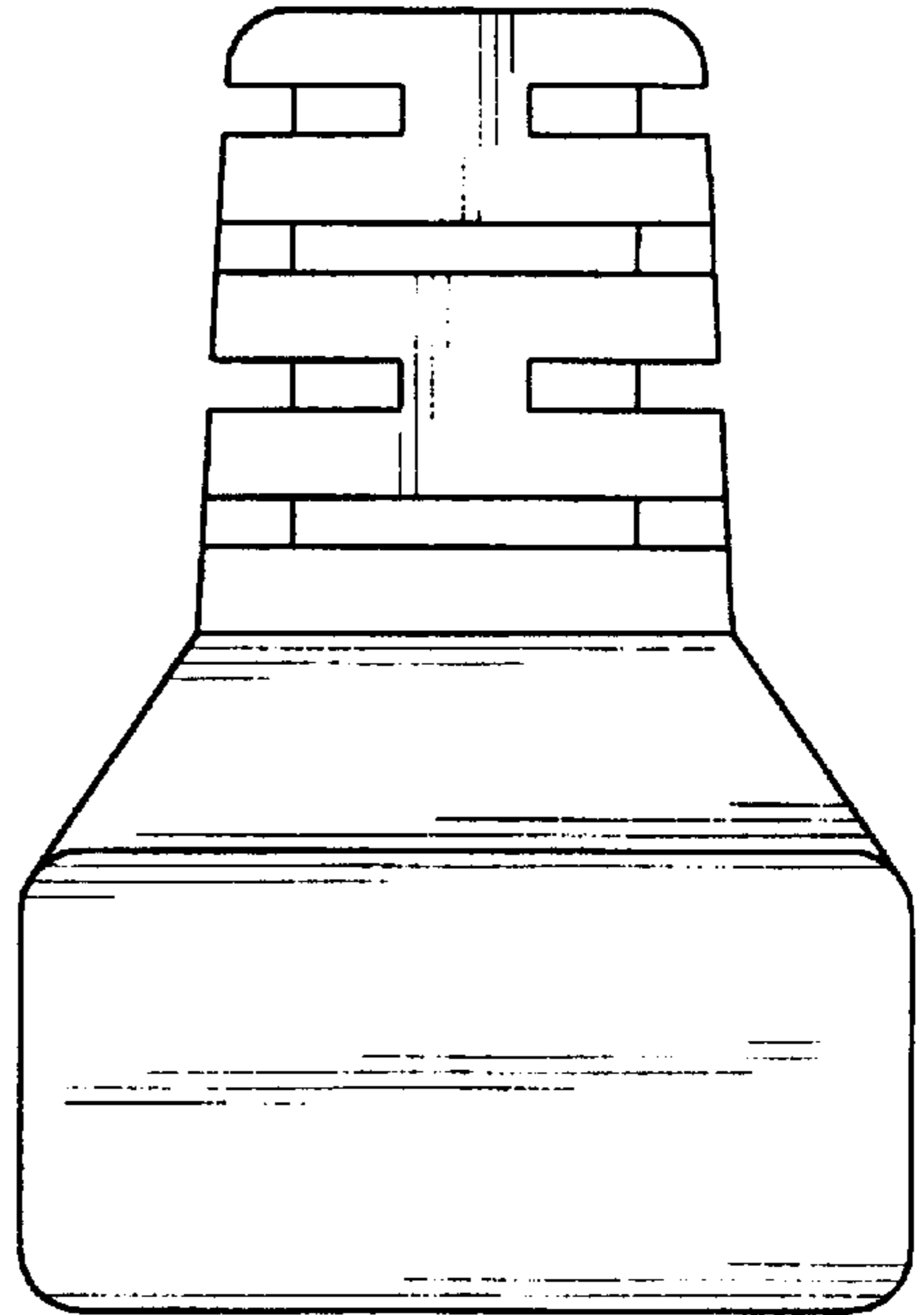


FIG. 3

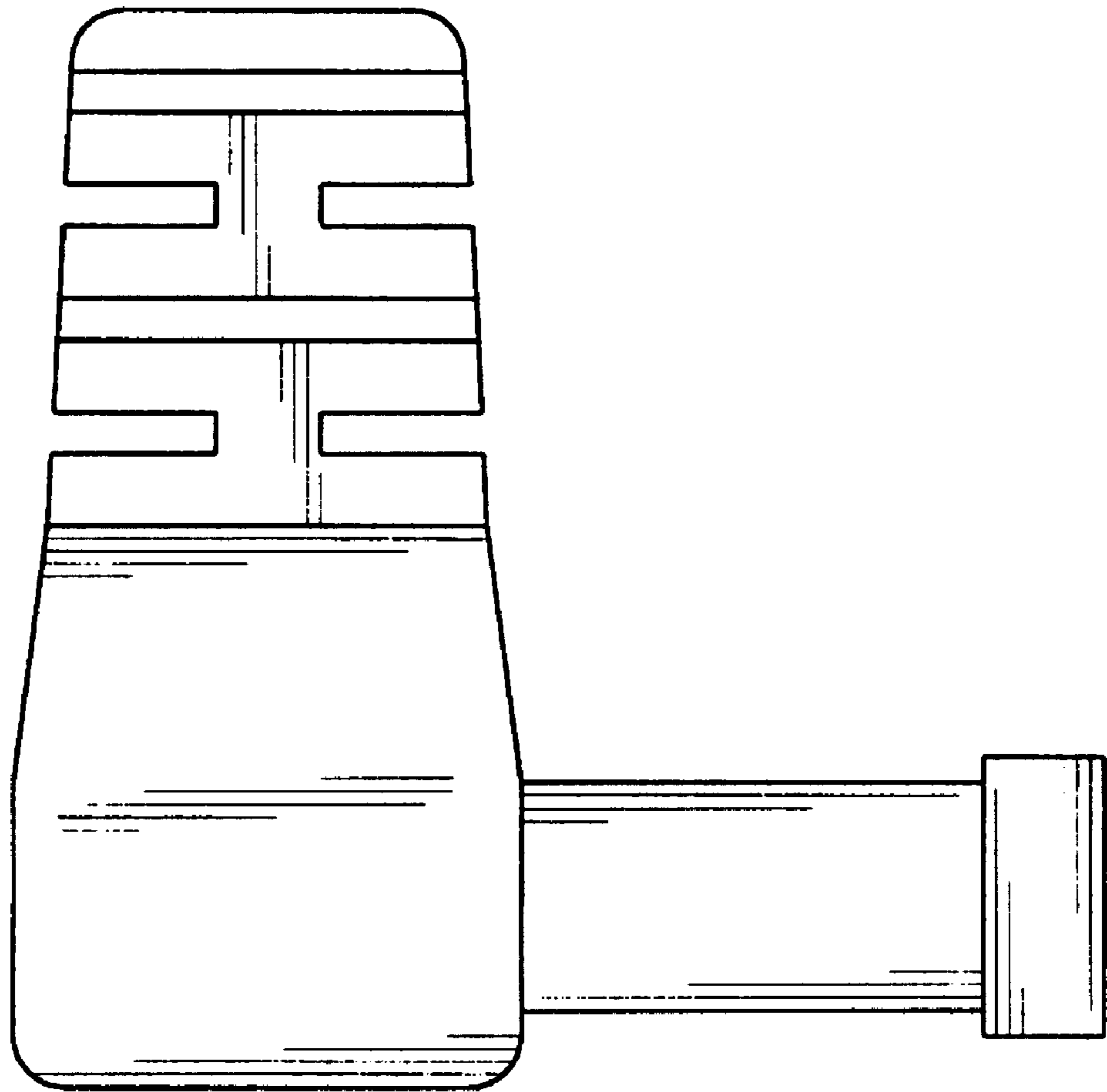


FIG. 4

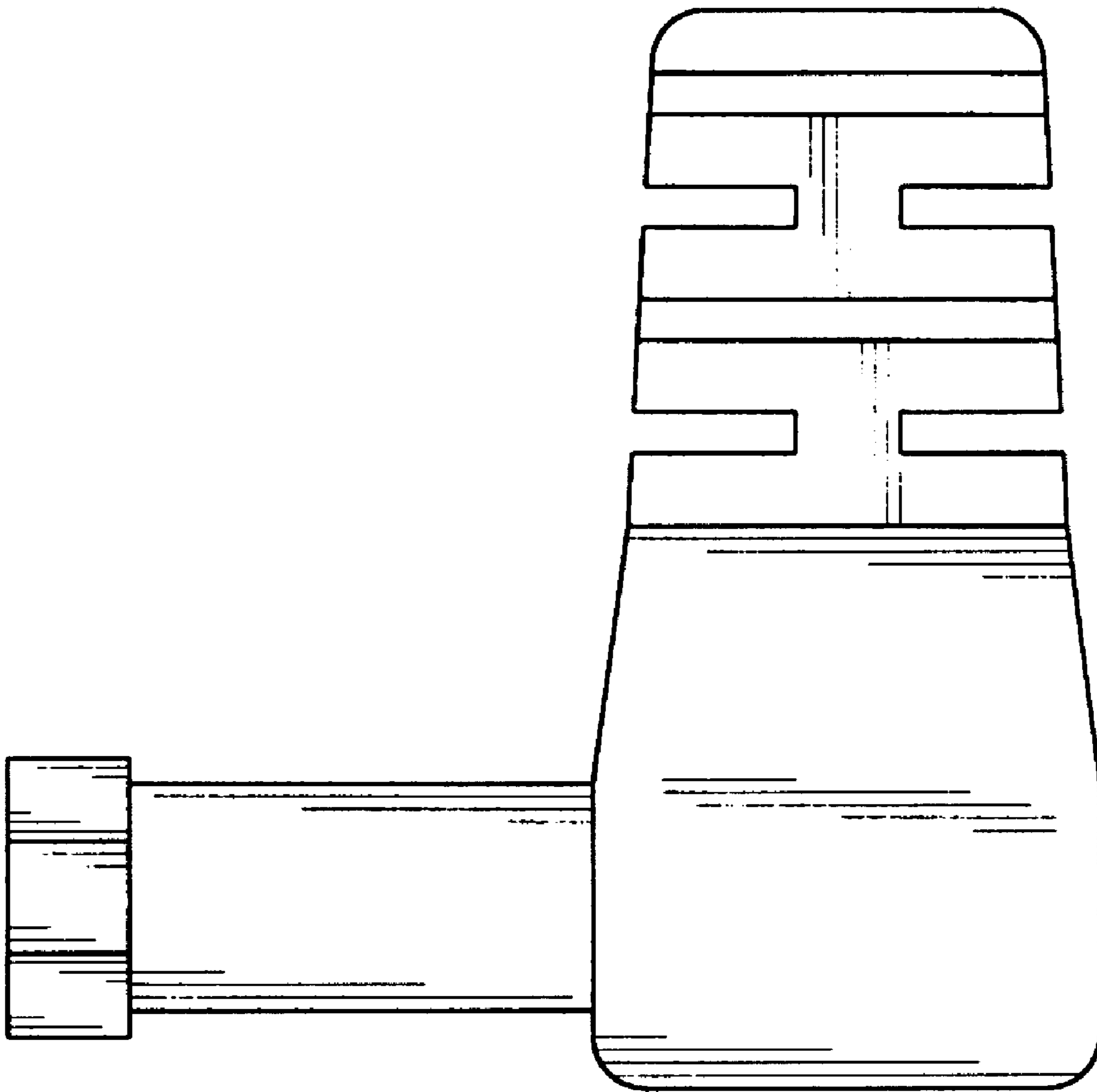


FIG. 5

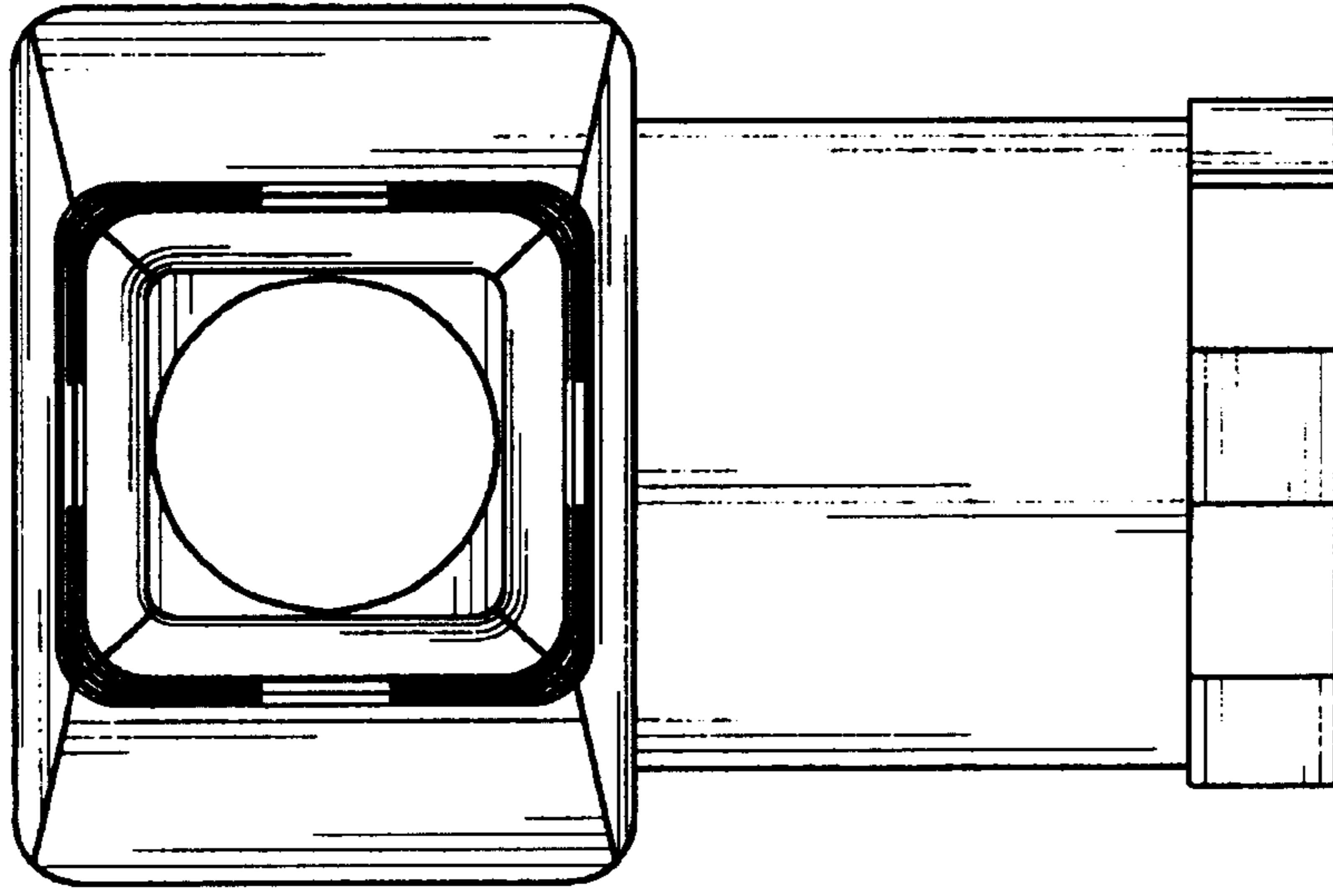


FIG. 6

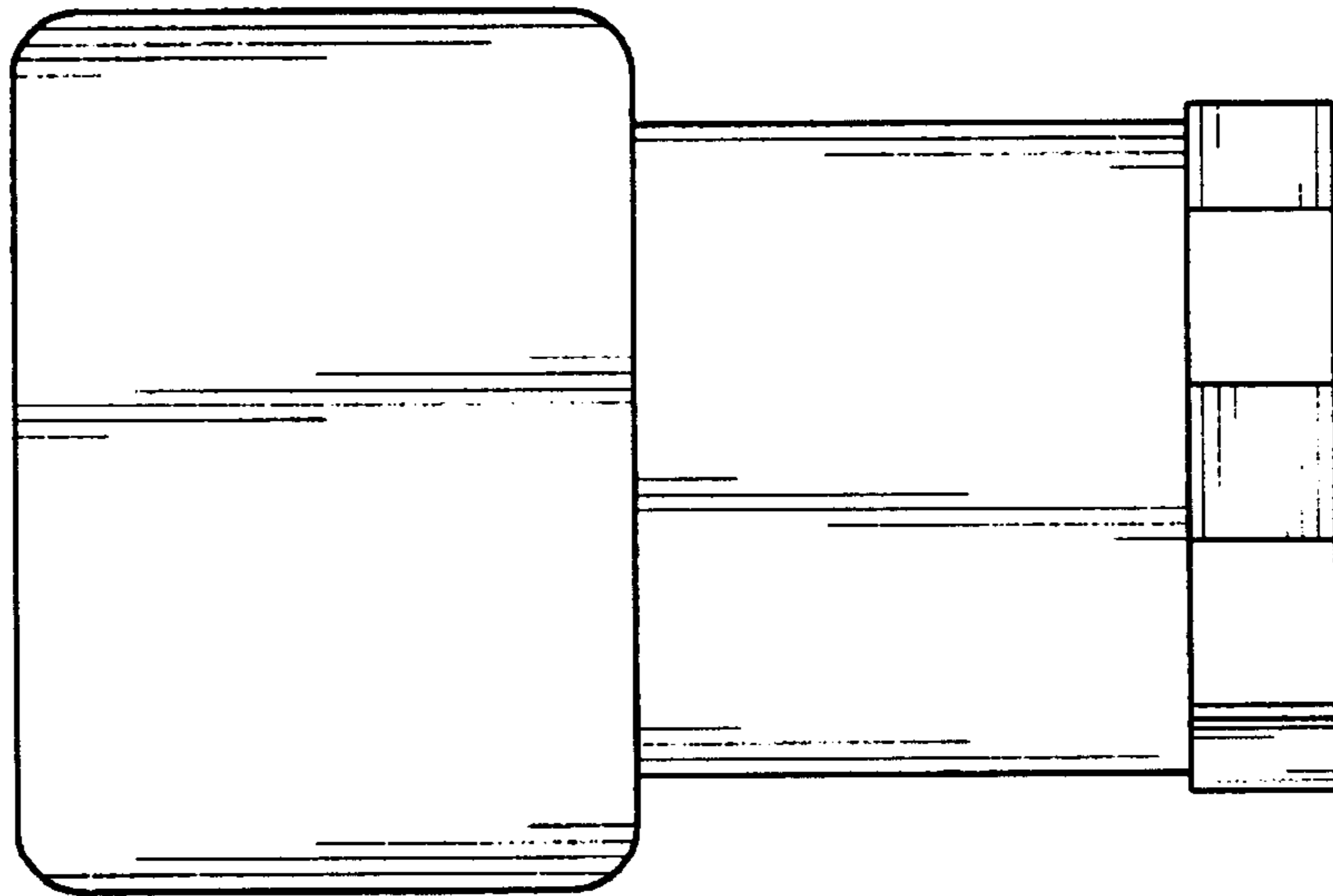


FIG. 7