



US00D427149S

United States Patent [19]

Konno et al.

[11] **Patent Number: Des. 427,149**

[45] **Date of Patent: ** Jun. 27, 2000**

[54] **CONNECTOR FOR AN OPTICAL FIBER**

[75] Inventors: **Takeshi Konno; Yoshinori Ota**, both of Hitachinaka, Japan

[73] Assignee: **Mitsumi Electric Co., Ltd.**, Japan

[**] Term: **14 Years**

[21] Appl. No.: **29/106,470**

[22] Filed: **Jun. 16, 1999**

[30] **Foreign Application Priority Data**

Dec. 18, 1998 [JP] Japan 10-36568

[51] **LOC (7) Cl.** **13-03**

[52] **U.S. Cl.** **D13/133**

[58] **Field of Search** D13/133; 385/56, 385/58, 59, 76, 78

[56] **References Cited**

U.S. PATENT DOCUMENTS

D. 413,302 8/1999 Sekiguchi et al. D13/133

5,016,968 5/1991 Hammond et al. 385/78
5,167,542 12/1992 Haitmanek 439/681
5,268,982 12/1993 Schaffer et al. 385/86
5,329,604 7/1994 Baldwin et al. 385/92

Primary Examiner—Joel Sincavage
Attorney, Agent, or Firm—Morrison Law Firm

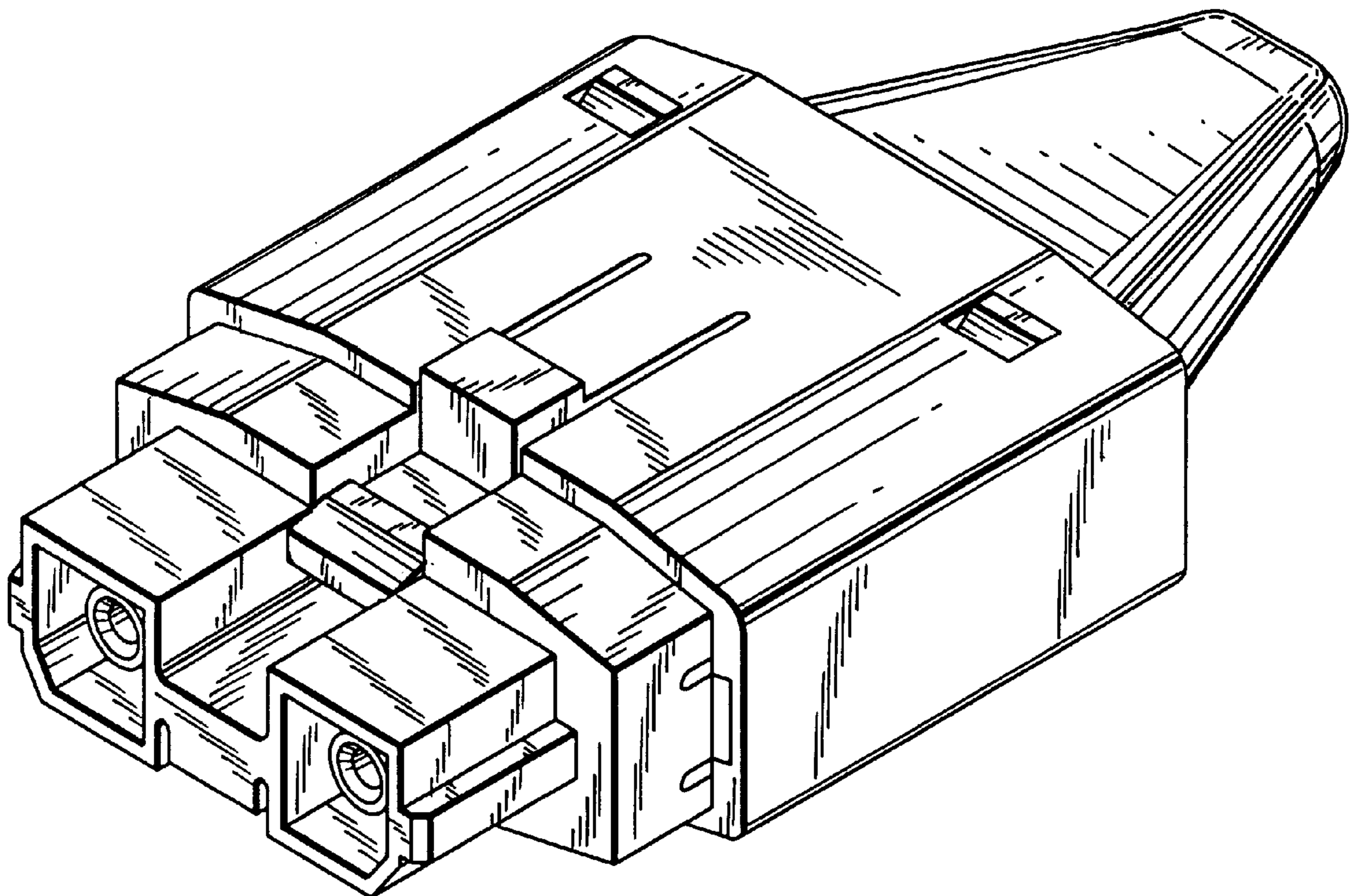
[57] **CLAIM**

The ornamental design for a connector for an optical fiber, as shown and described.

DESCRIPTION

FIG. 1 is a top, front, right side perspective view of a connector for an optical fiber showing our design; FIG. 2 is a top plan view thereof; FIG. 3 is a bottom plan view thereof; FIG. 4 is a front elevational view thereof; FIG. 5 is a rear elevational view thereof; and, FIG. 6 is a right side elevational view thereof, the left side being the same.

1 Claim, 3 Drawing Sheets



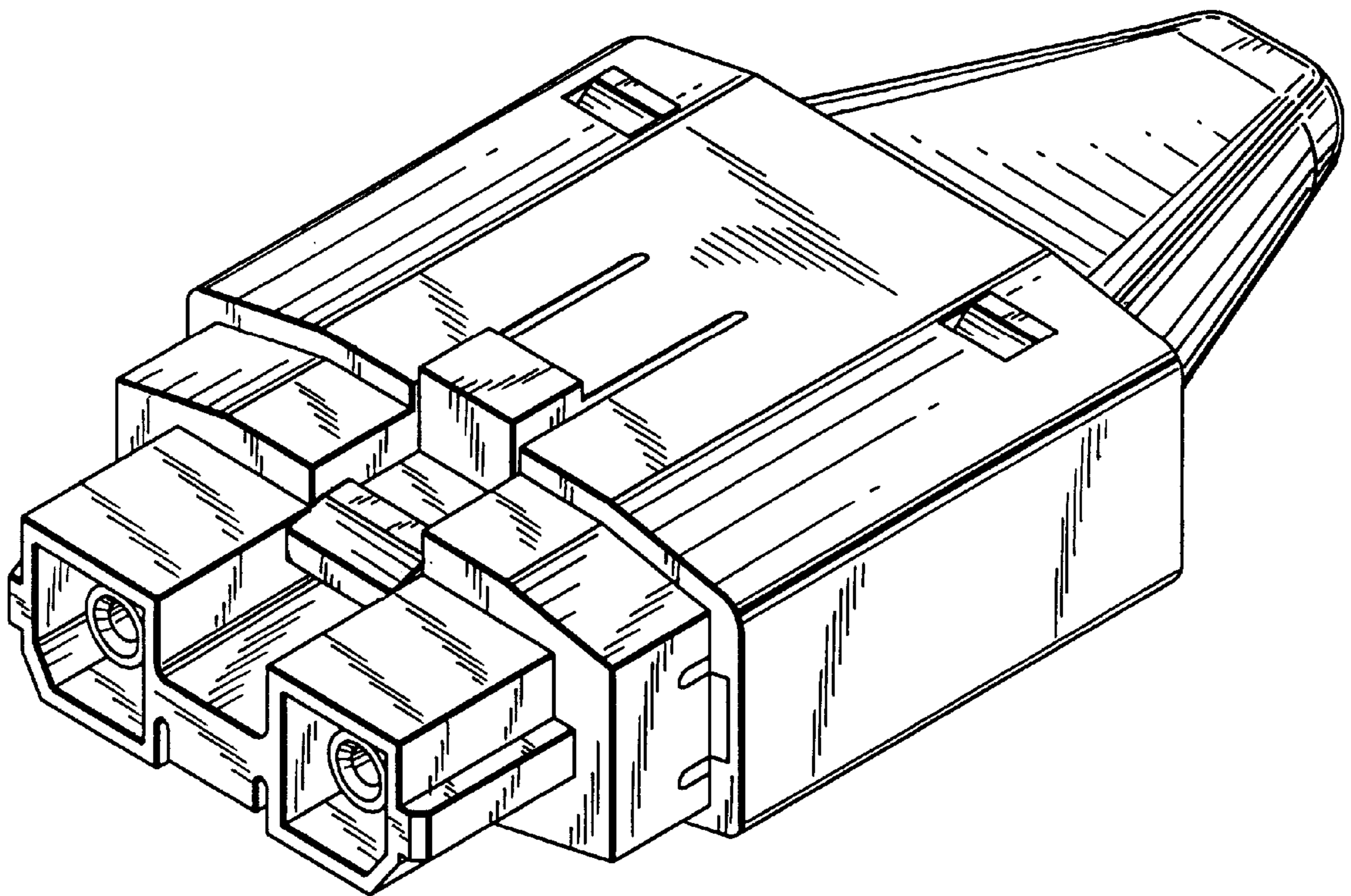


FIG. 1

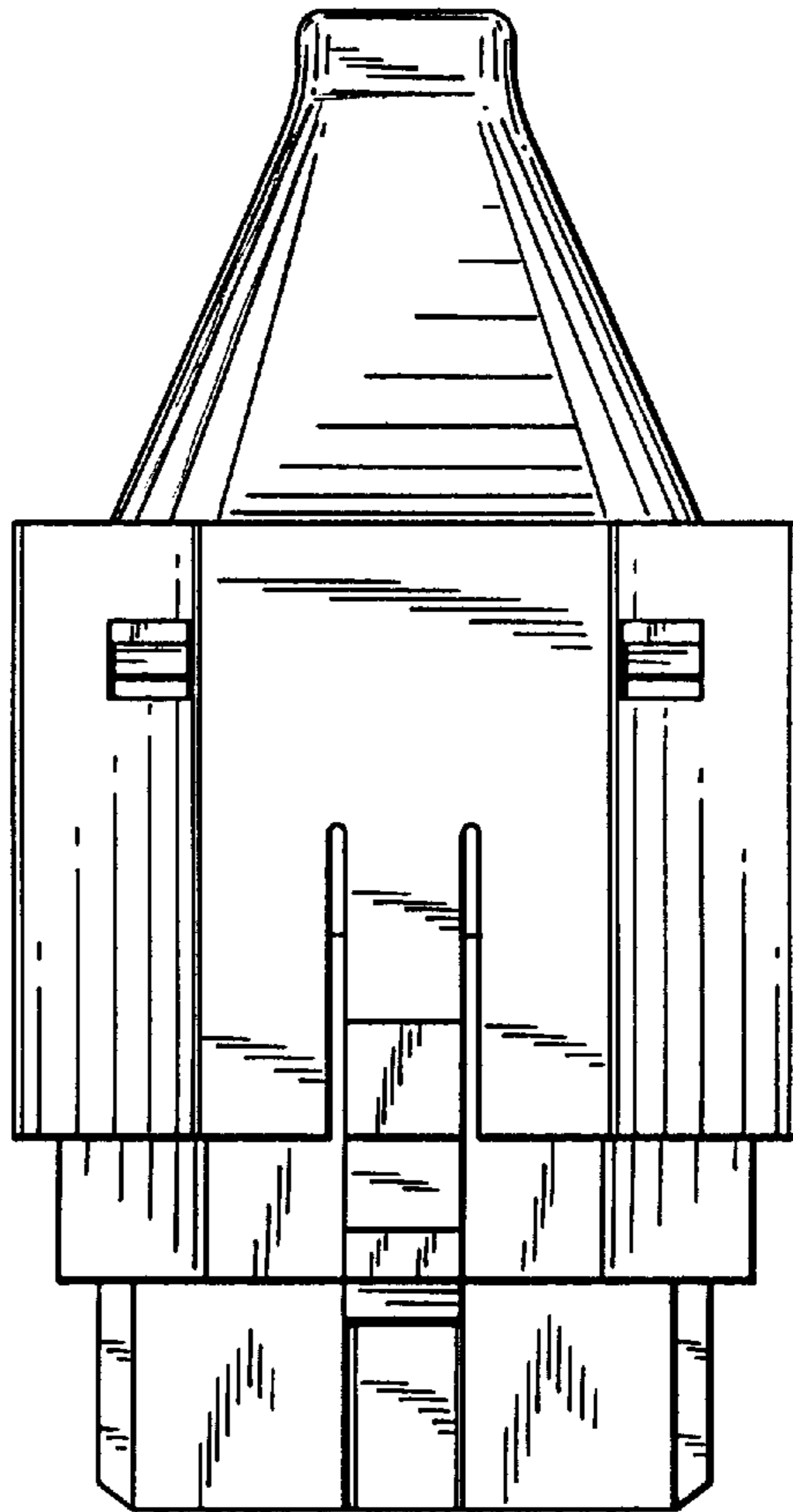


FIG. 2

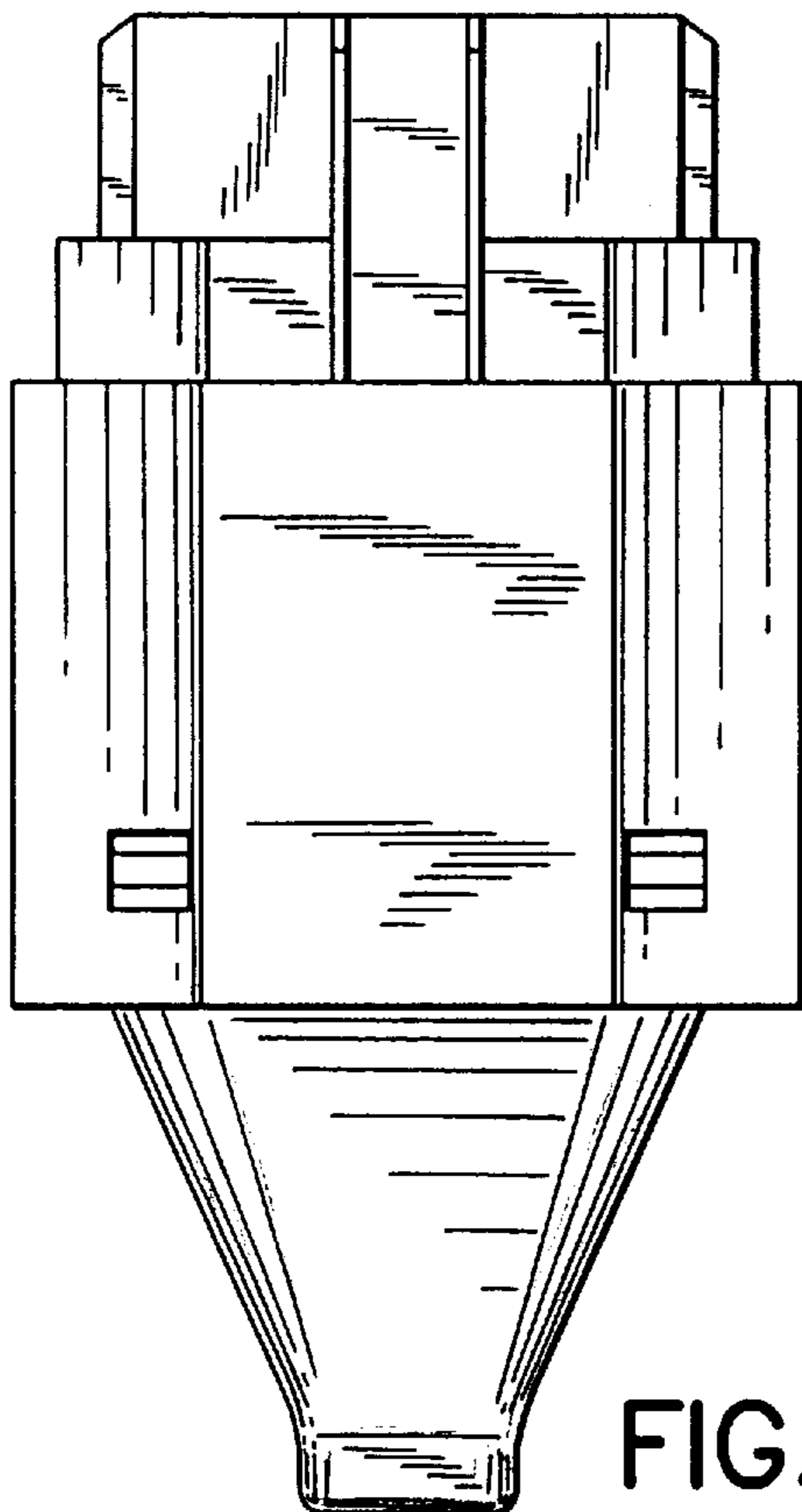


FIG. 3

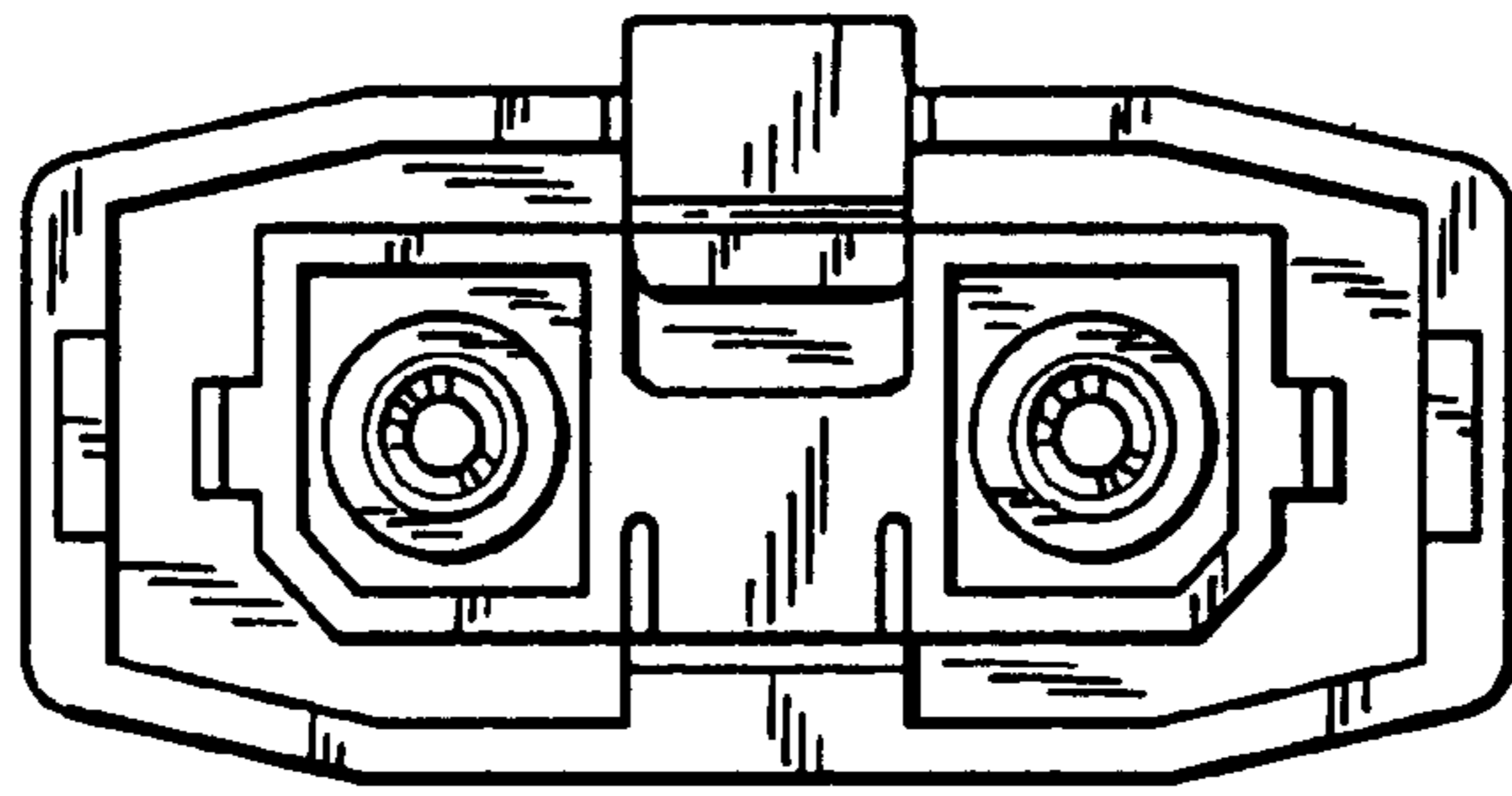


FIG. 4

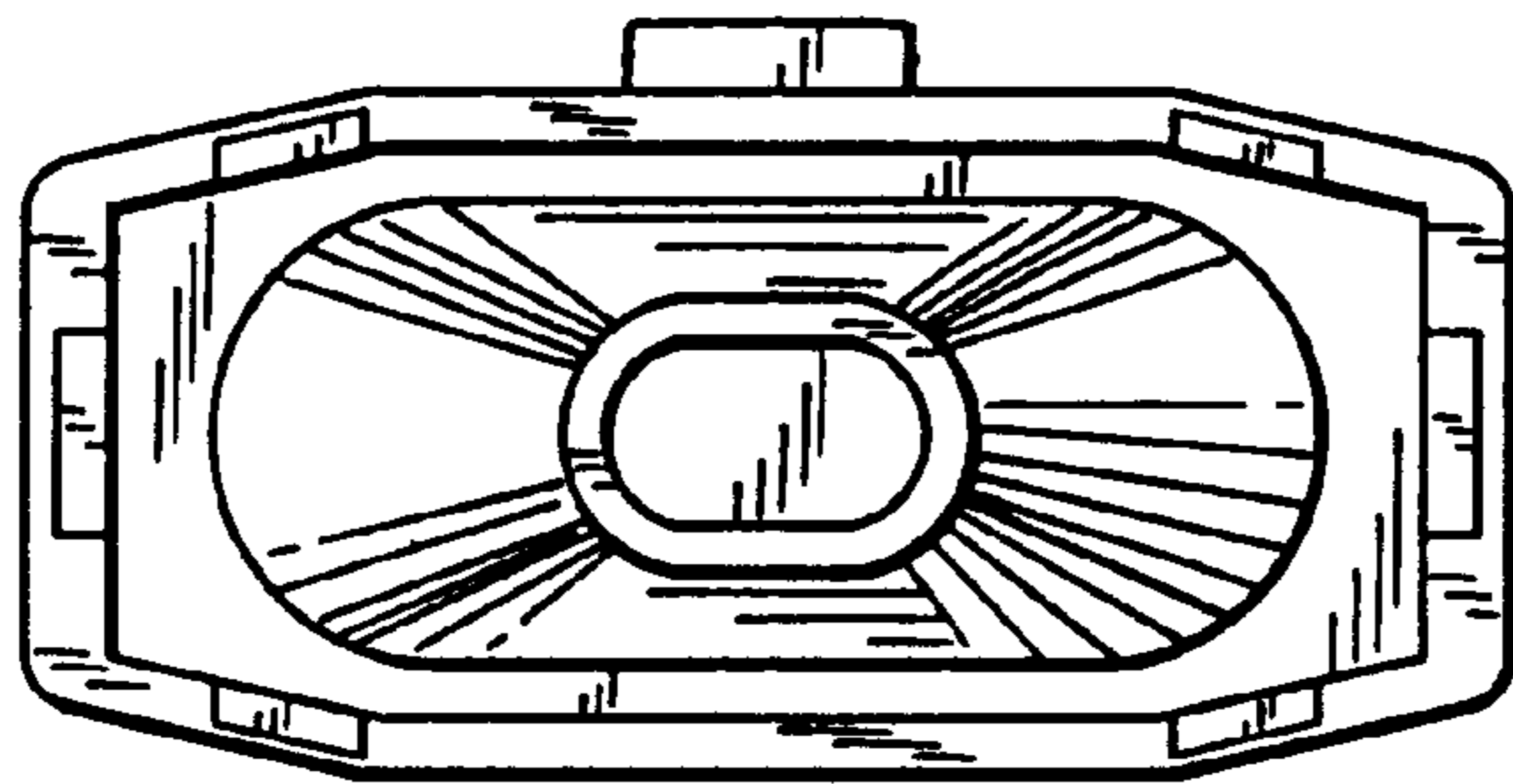


FIG. 5

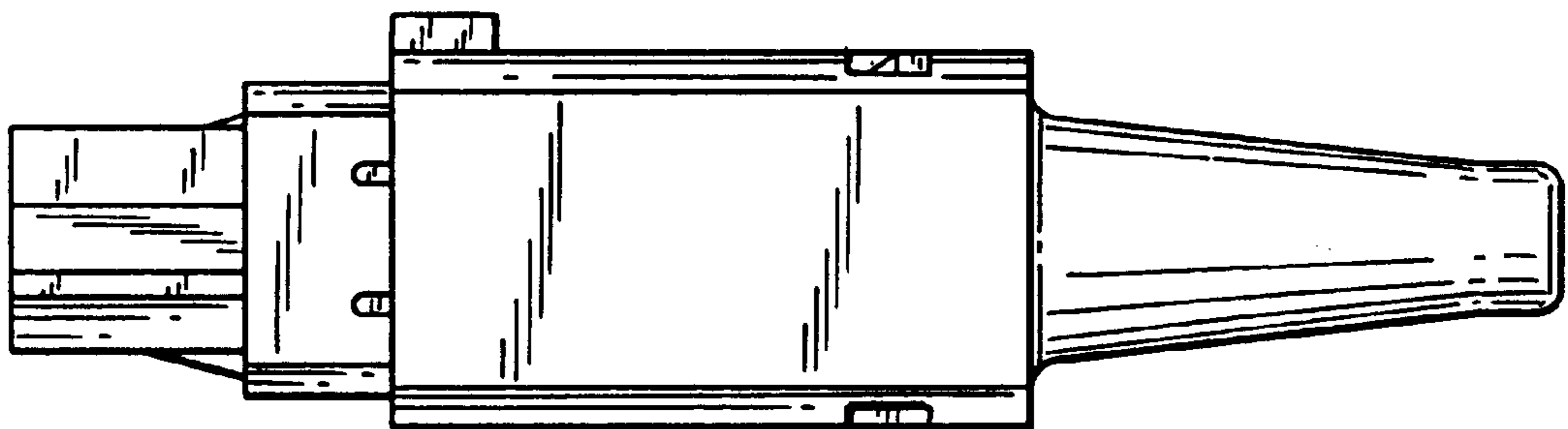


FIG. 6