



US00D427147S

# United States Patent [19] Wei

[11] Patent Number: **Des. 427,147**

[45] Date of Patent: **\*\* Jun. 27, 2000**

[54] **POWER INVERTER**

[76] Inventor: **Cheng Tsung Wei**, No. 48, Lane 798,  
Ta Wan Road, Yung Kang Shih, Tainan  
Hsien, Taiwan

[\*\*] Term: **14 Years**

[21] Appl. No.: **29/111,958**

[22] Filed: **Oct. 7, 1999**

[30] **Foreign Application Priority Data**

Jun. 7, 1999 [TW] Taiwan ..... 88303696

[51] **LOC (7) Cl.** ..... **13-02**

[52] **U.S. Cl.** ..... **D13/110**

[58] **Field of Search** ..... D13/110, 184;  
D14/188; 363/141; 361/622, 690, 704,  
707, 715, 730

[56] **References Cited**

**U.S. PATENT DOCUMENTS**

- D. 332,443 1/1993 Sharpe ..... D13/184
- D. 337,114 7/1993 Mantz ..... D14/188
- D. 343,395 1/1994 Kakizaki ..... D14/188
- D. 349,682 8/1994 Hunziker ..... D13/110
- D. 365,082 12/1995 Cook, II et al. .... D13/110

- D. 386,761 11/1997 Pleitz ..... D14/188
- D. 387,333 12/1997 Pellow et al. .... D13/184
- D. 401,216 11/1998 Person et al. .... D13/110
- D. 413,567 9/1999 Person et al. .... D13/110
- 5,347,211 9/1994 Jakubowski ..... 363/146 X
- 5,521,792 5/1996 Pleitz et al. .... 361/715
- 5,742,478 4/1998 Wu ..... 361/704
- 5,909,358 6/1999 Bradt ..... 361/707
- 5,949,640 9/1999 Cameron et al. .... 361/622 X

*Primary Examiner*—Joel Sincavage  
*Attorney, Agent, or Firm*—Bacon & Thomas

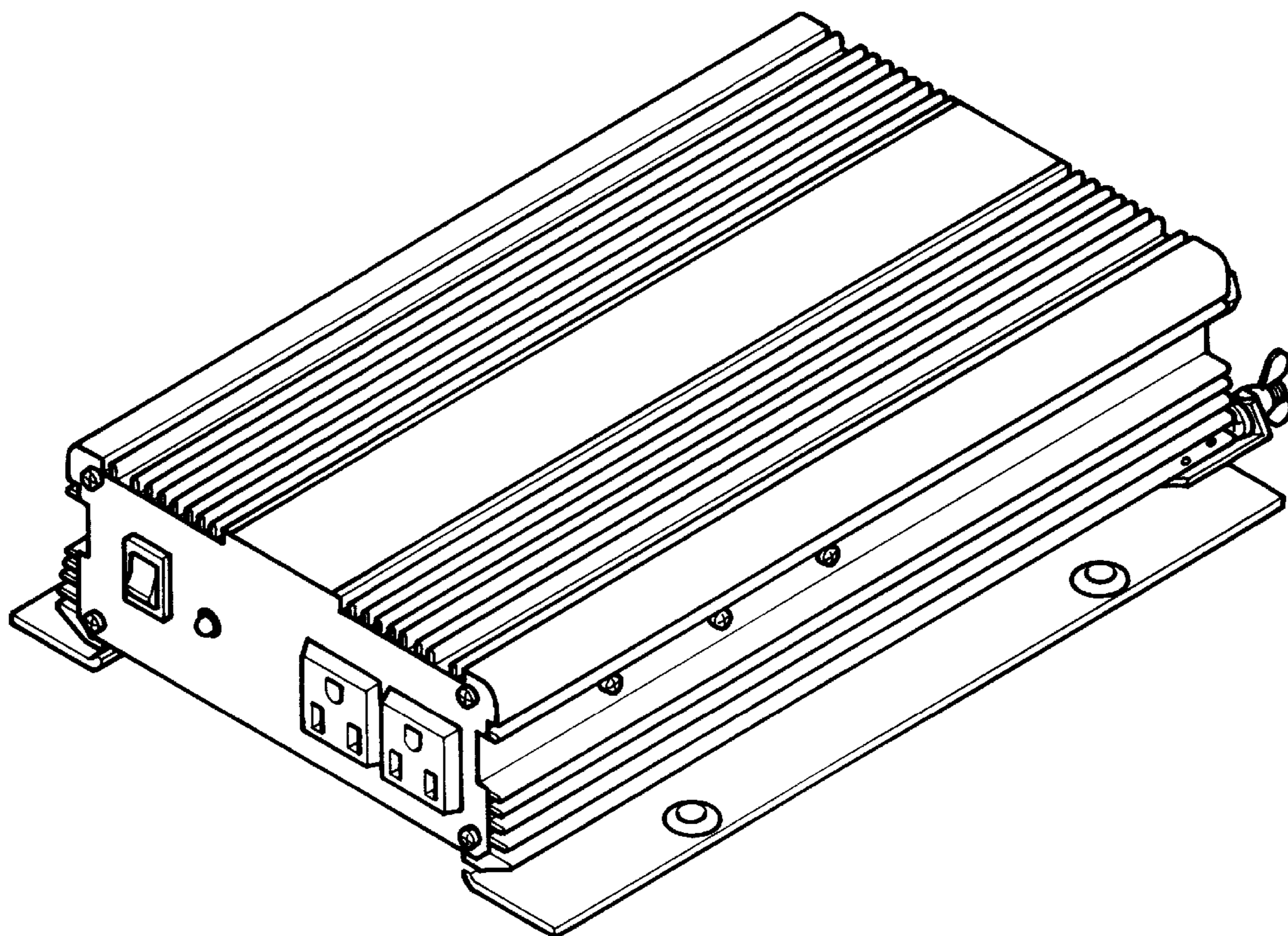
[57] **CLAIM**

The ornamental design for a power inverter, as shown and described.

**DESCRIPTION**

FIG. 1 is a perspective view of a power inverter showing my new design;  
FIG. 2 is a right side elevational view thereof;  
FIG. 3 is a top plan view thereof;  
FIG. 4 is a front elevational view thereof;  
FIG. 5 is a bottom plan view thereof;  
FIG. 6 is a left elevational view thereof; and,  
FIG. 7 is a rear elevational view.

**1 Claim, 4 Drawing Sheets**



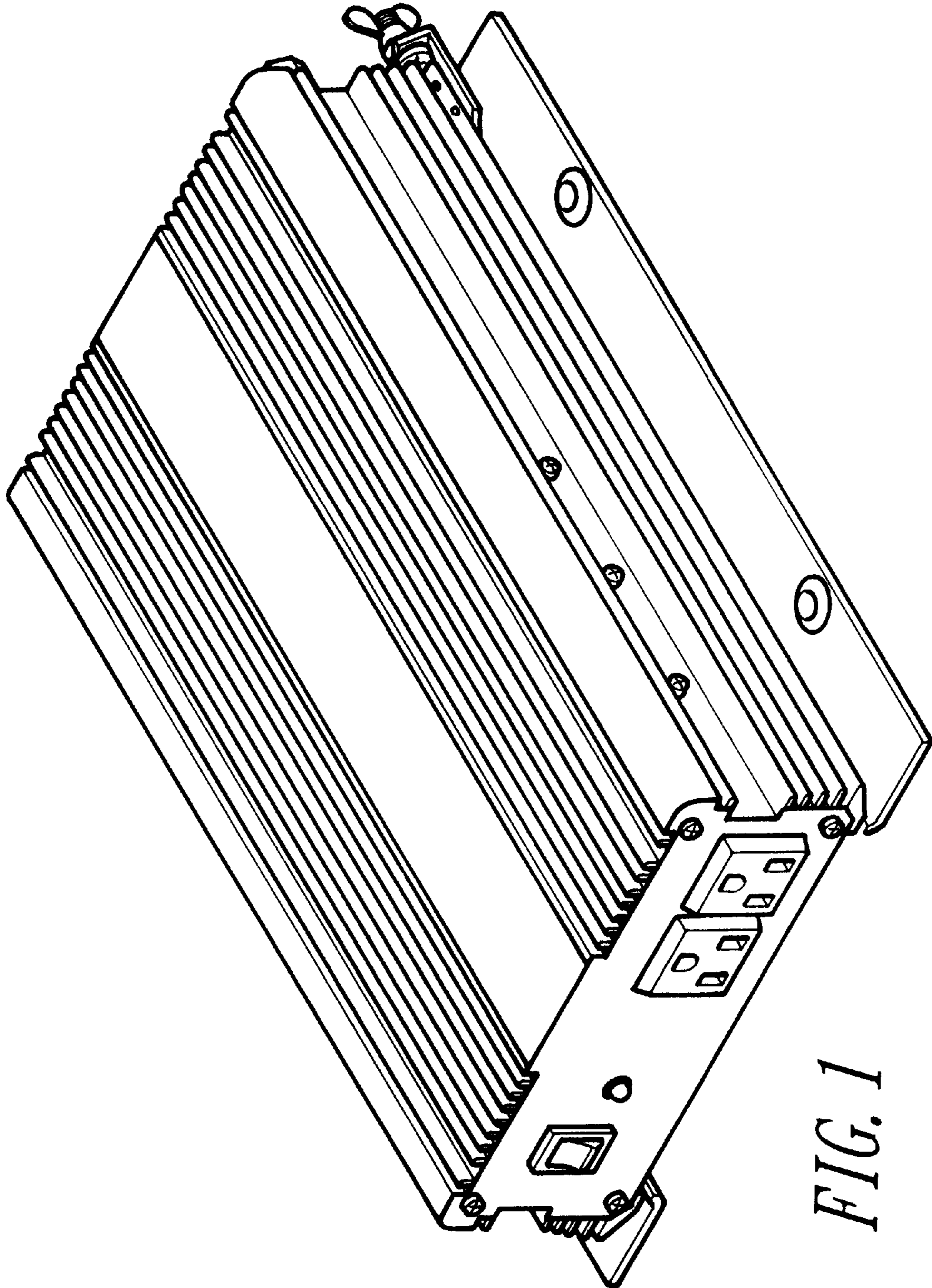
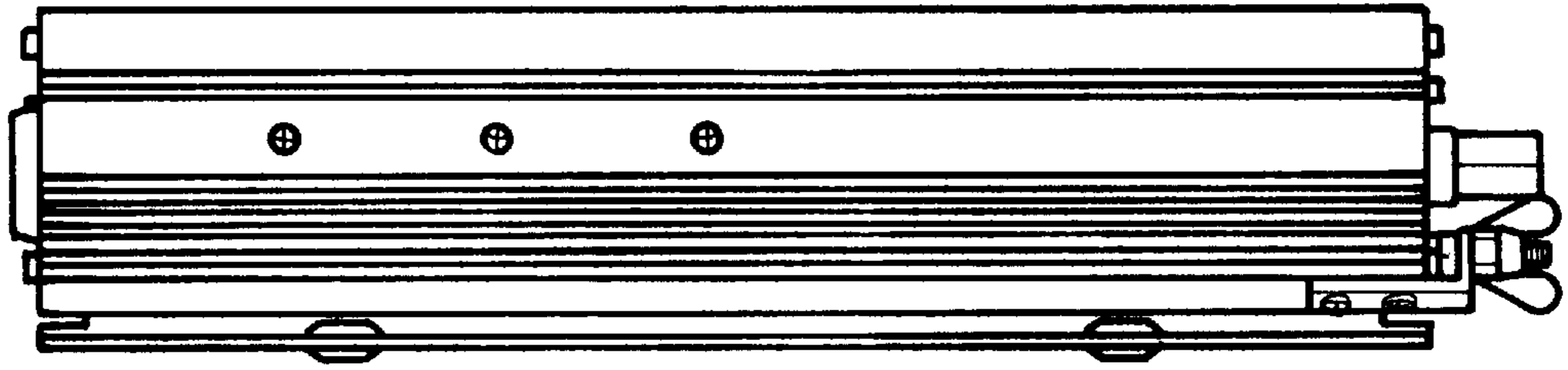
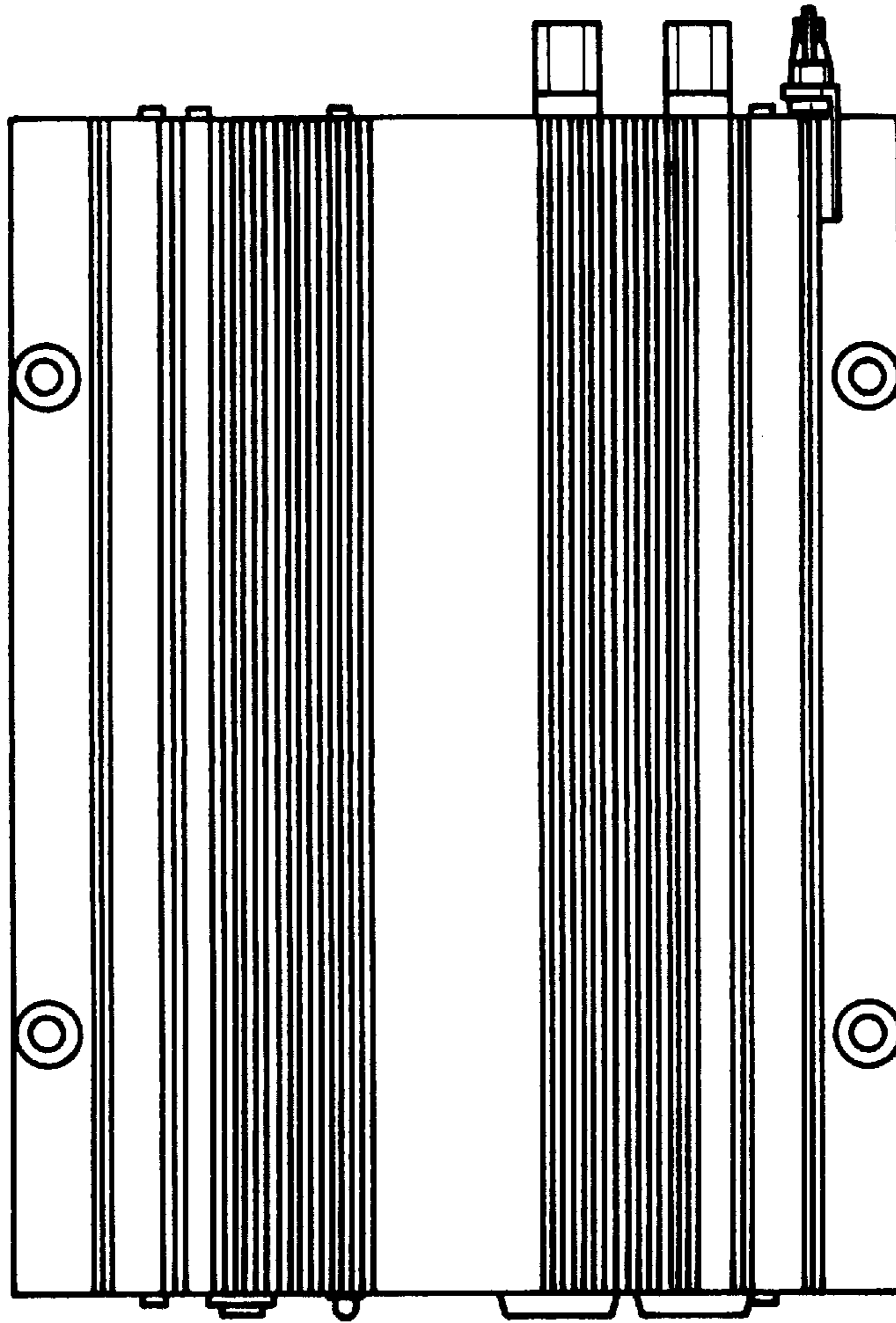


FIG. 1

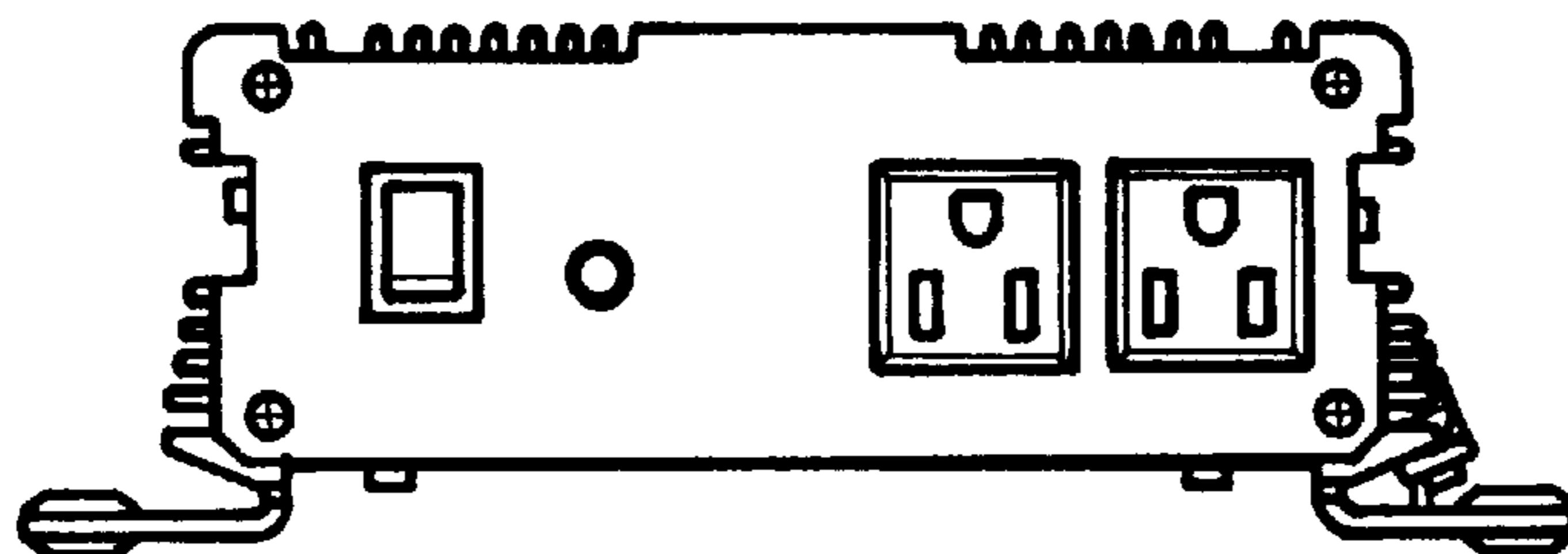


*FIG. 2*

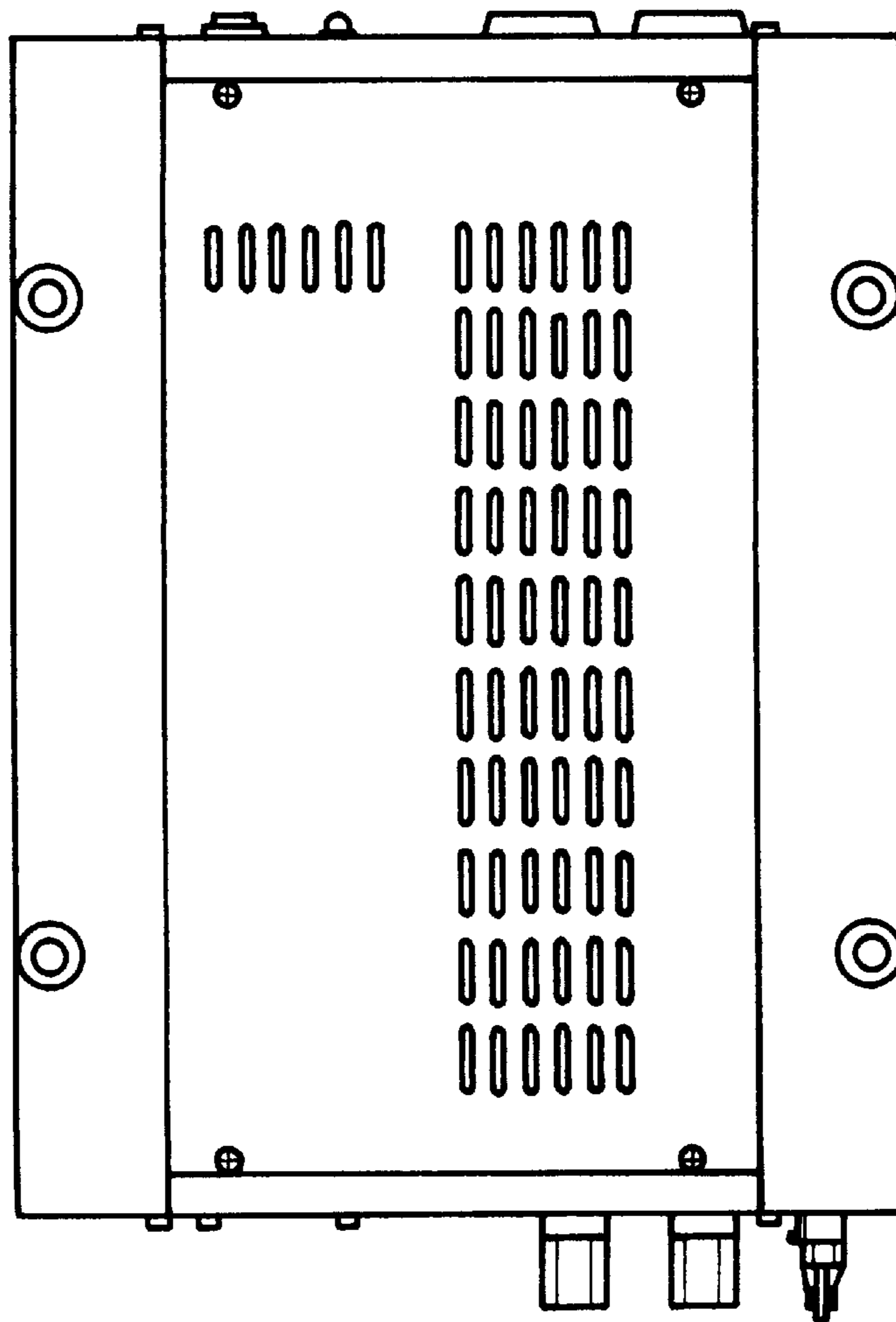


*FIG. 3*

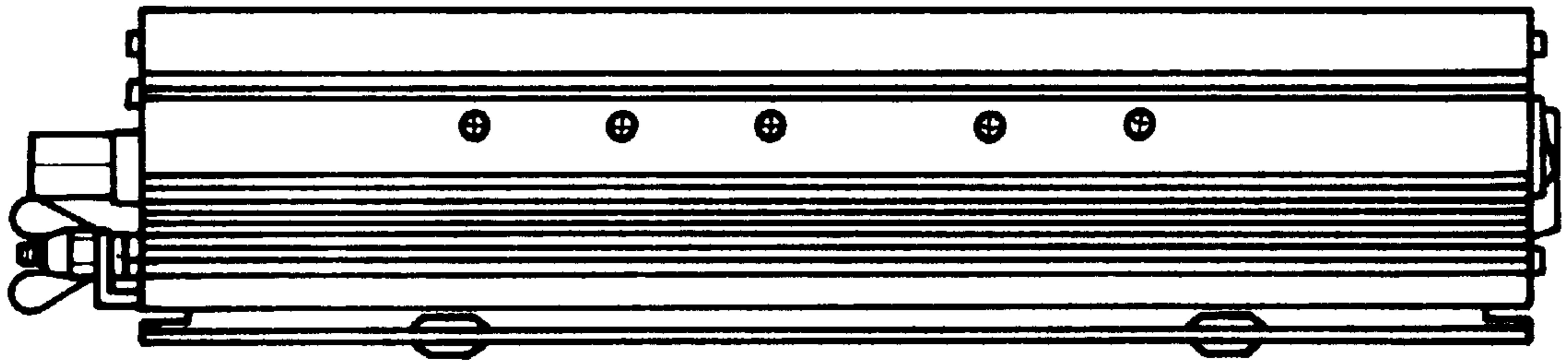




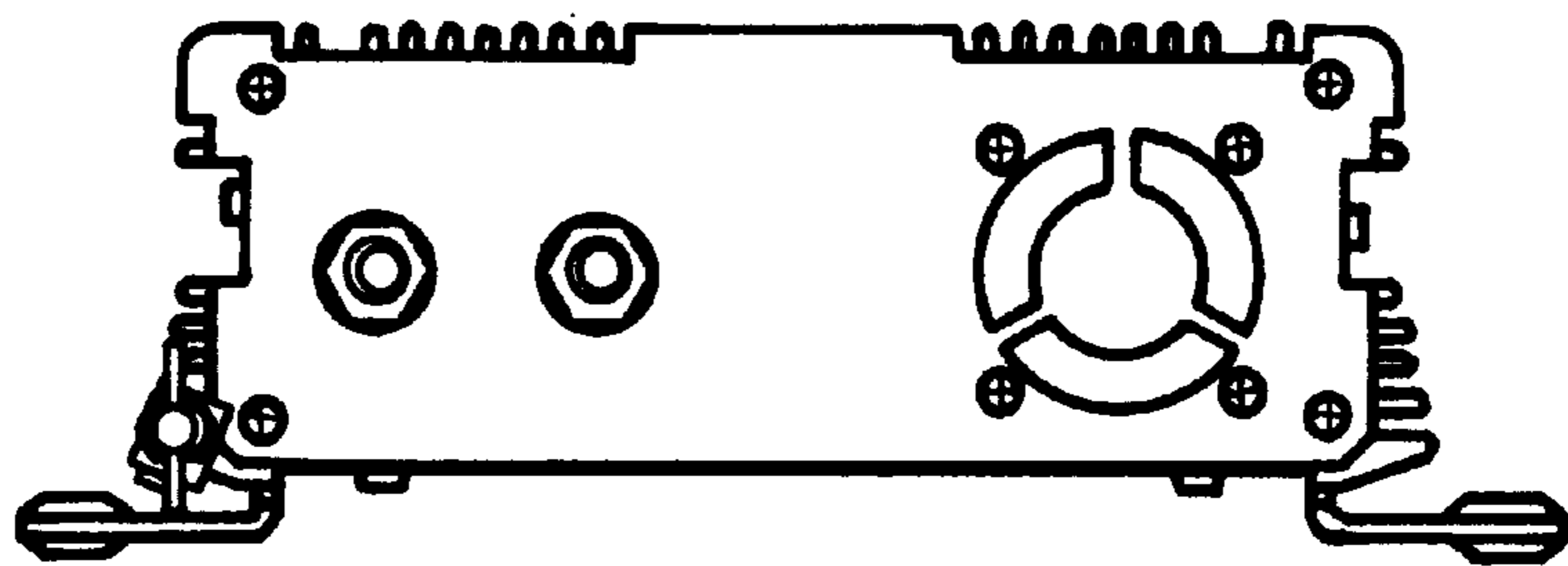
*FIG. 4*



*FIG. 5*



*FIG. 6*



*FIG. 7*