



US00D427134S

# United States Patent [19]

Lee

[11] **Patent Number: Des. 427,134**

[45] **Date of Patent: \*\* Jun. 27, 2000**

[54] **WINTER WINDSHIELD WIPER FOR USE IN MOTOR VEHICLES**

[76] Inventor: **Albert I. Lee**, 232 Margate Rd., Timonium, Md. 21093

[\*\*] Term: **14 Years**

[21] Appl. No.: **29/093,796**

[22] Filed: **Sep. 18, 1998**

[51] **LOC (7) Cl.** ..... **12-06**

[52] **U.S. Cl.** ..... **D12/219**

[58] **Field of Search** ..... D12/219, 220; 15/250.01, 250.07, 250.4, 250.32, 250.22, 250.41, 250.46, 250.201, 250.351, 250.361, 250.451, 250.452, 250.453, 250.454

[56] **References Cited**

**U.S. PATENT DOCUMENTS**

- D. 296,317 6/1988 Mower et al. .... D12/219
- D. 331,381 12/1992 Lee ..... D12/219
- D. 339,093 9/1993 Fry ..... D12/219

- D. 354,473 1/1995 Lee ..... D12/219
- D. 380,435 7/1997 Chen ..... D12/219
- 5,454,135 10/1995 Okuya ..... 15/250.41
- 5,495,637 3/1996 Egner-Walter ..... 15/250.351
- 5,613,266 3/1997 Lee .

*Primary Examiner*—Robert M. Spear  
*Attorney, Agent, or Firm*—Birch, Stewart, Kolasch & Birch, LLP

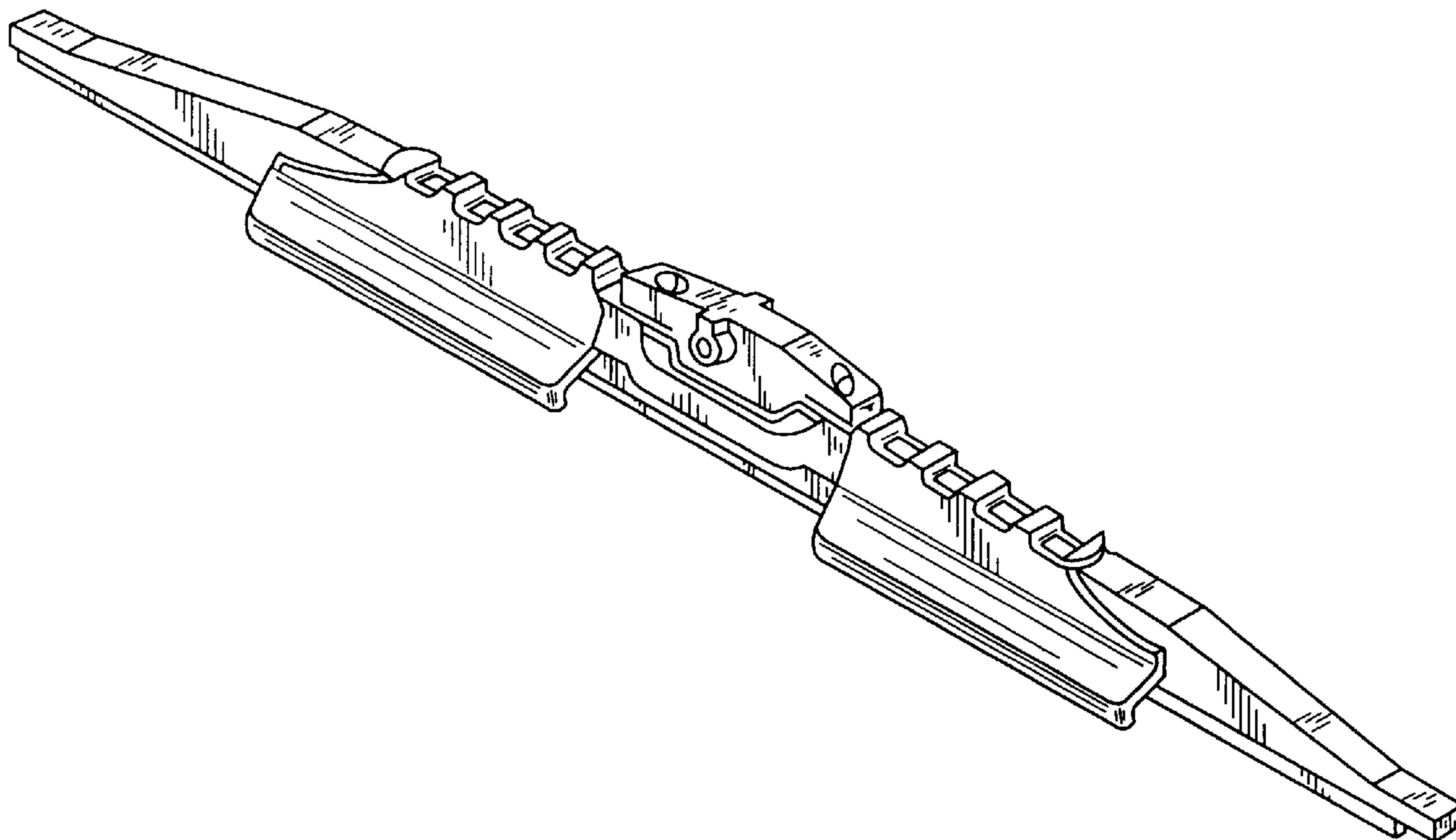
[57] **CLAIM**

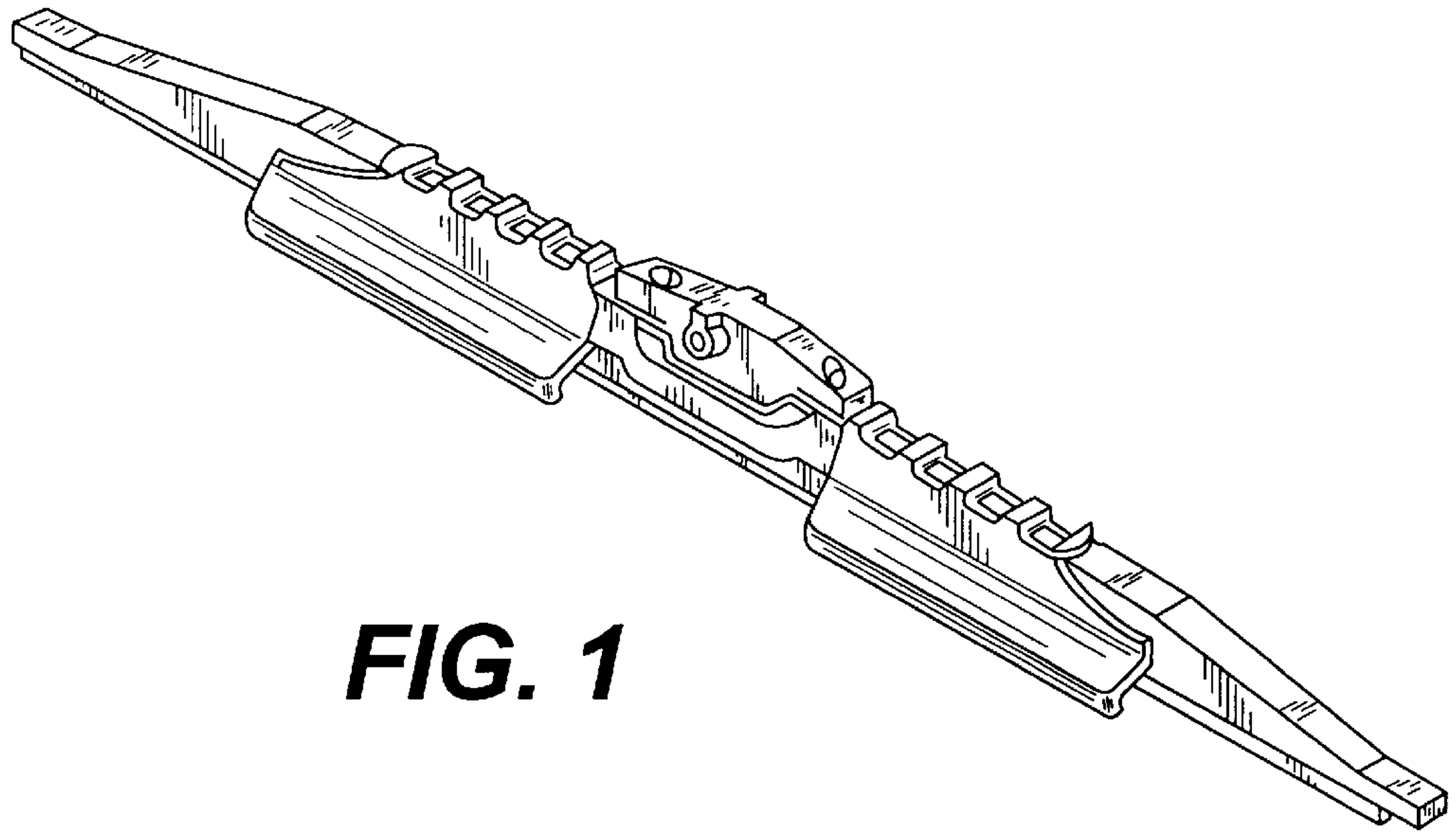
The ornamental design for a winter windshield wiper for use in motor vehicles, as shown and described.

**DESCRIPTION**

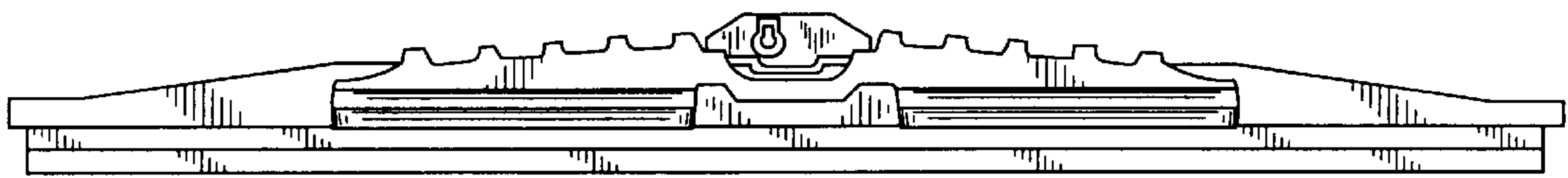
FIG. 1 is a perspective view of the winter windshield wiper for use in motor vehicles embodying my novel design; FIG. 2 is a front elevational view thereof; FIG. 3 is a rear elevational view thereof; FIG. 4 is a bottom plan view thereof; FIG. 5 is a left side elevational view thereof; and, FIG. 6 is a right side elevational view thereof.

**1 Claim, 1 Drawing Sheet**

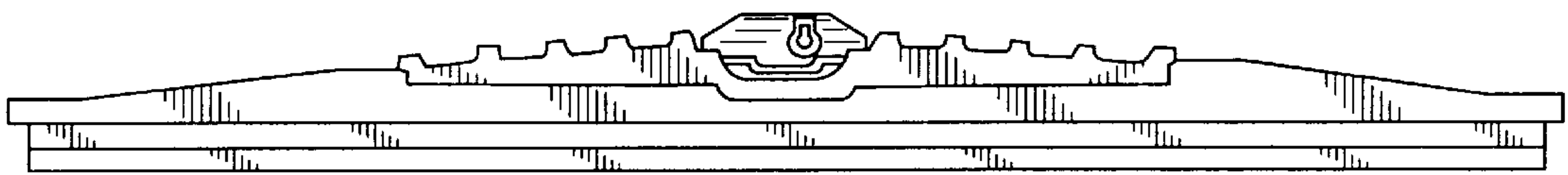




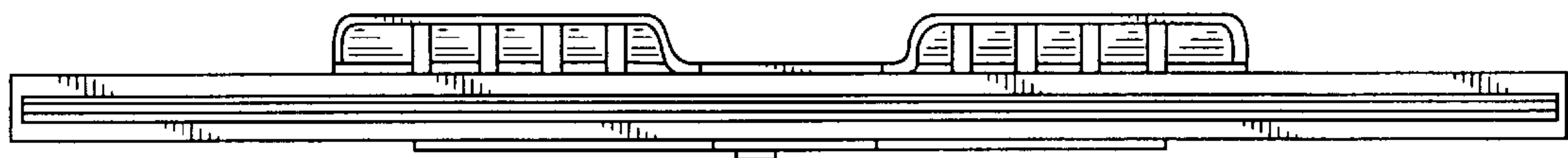
**FIG. 1**



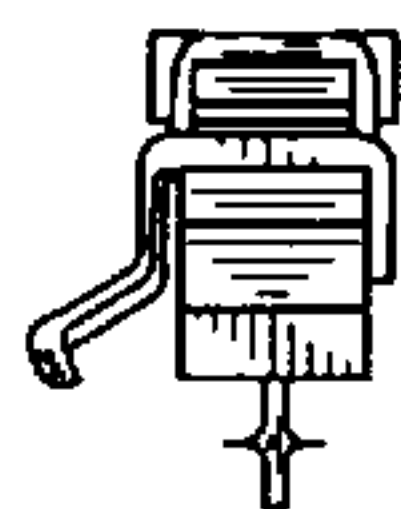
**FIG. 2**



**FIG. 3**



**FIG. 4**



**FIG. 5**



**FIG. 6**