



US00D427132S

United States Patent [19]
Lee

[11] **Patent Number: Des. 427,132**

[45] **Date of Patent: ** Jun. 27, 2000**

[54] **AUTOMOTIVE WHEEL**

D. 419,945 2/2000 Hartano D12/211

[75] Inventor: **Seon Kyu Lee**, Fullerton, Calif.

Primary Examiner—Stacia Cadmus
Attorney, Agent, or Firm—G. Donald Weber, Jr.

[73] Assignee: **Synergies America Inc**, Farmington Hills, Mich.

[57] **CLAIM**

[**] Term: **14 Years**

The ornamental design for an automotive wheel, as shown and described.

[21] Appl. No.: **29/115,346**

DESCRIPTION

[22] Filed: **Dec. 13, 1999**

FIG. 1 is a front view of the automotive wheel of the instant invention;

[51] **LOC (7) Cl.** **12-16**

FIG. 2 is an oblique view of one embodiment of the automotive wheel of the instant invention having a concave configuration;

[52] **U.S. Cl.** **D12/211**

[58] **Field of Search** D12/204-211;
301/37.1, 64.1, 65

FIG. 3 is a cross-sectional view of the embodiment shown in FIG. 2 taken along the line 3—3;

[56] **References Cited**

U.S. PATENT DOCUMENTS

D. 258,503	3/1981	Semple	D12/211
D. 375,076	10/1996	Cattaneo	D12/211
D. 392,236	3/1998	Noriega	D12/209
D. 402,250	12/1998	Fike et al.	D12/209
D. 402,251	12/1998	Timm	D12/211
D. 409,552	5/1999	Chung	D12/211

FIG. 4 is an oblique view of a second embodiment of the automotive wheel of the instant invention having a convex configuration; and,

FIG. 5 is a cross-sectional view of the embodiment of the automotive wheel shown in FIG. 4 taken along the line 5—5. The broken line showing of environment is for illustrative purposes only and forms no part of the claimed design.

1 Claim, 2 Drawing Sheets

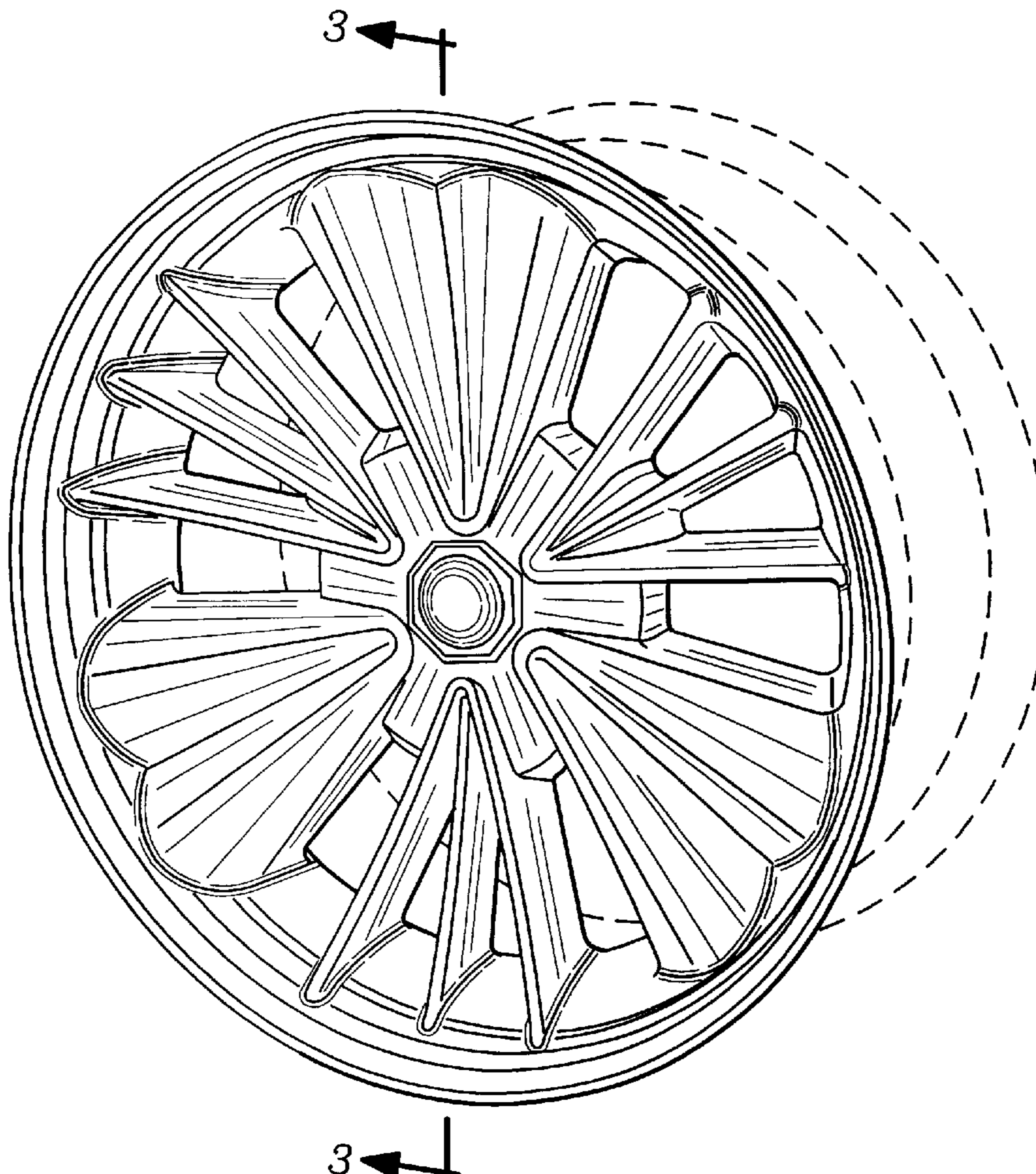


Fig. 1

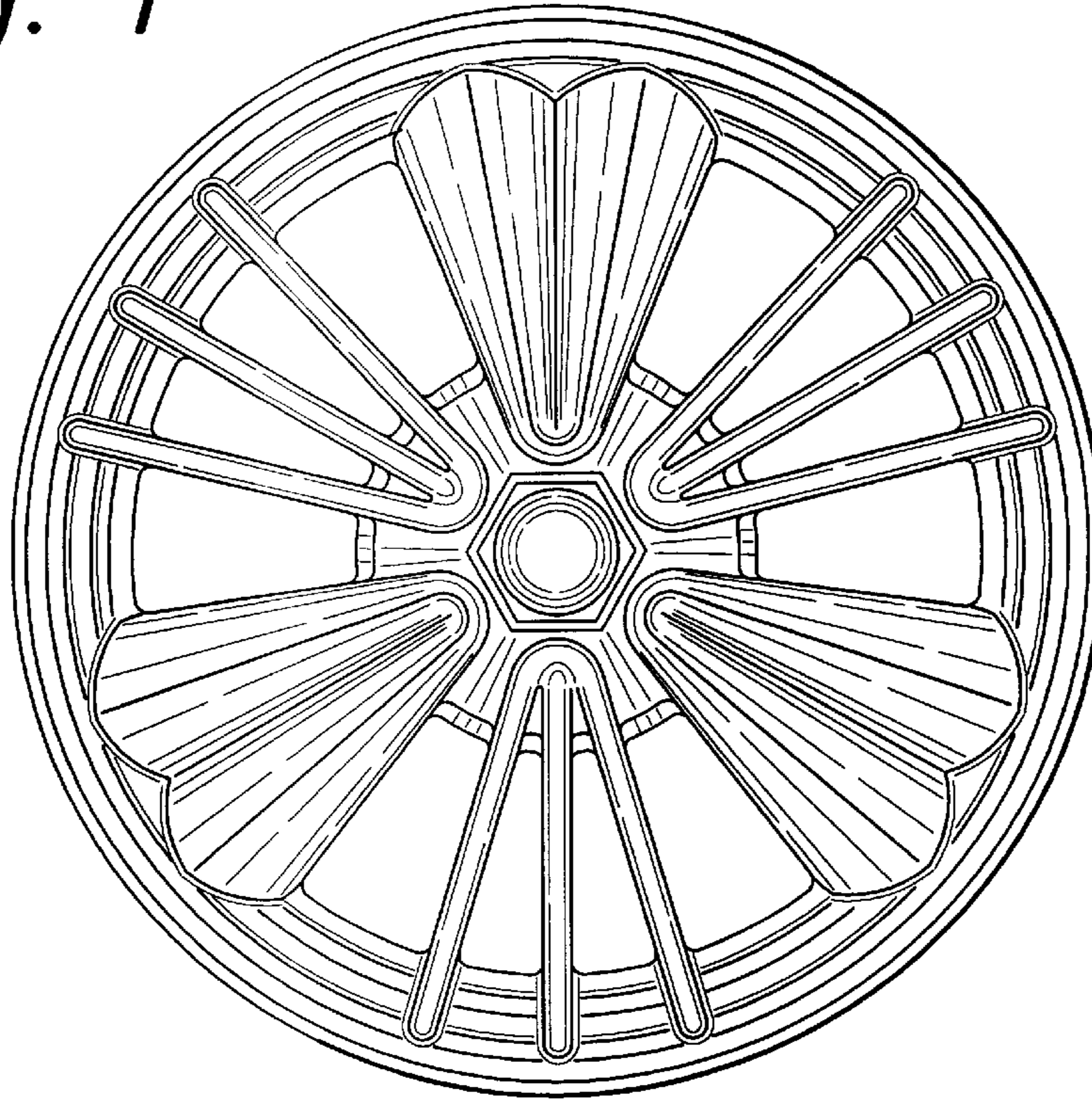
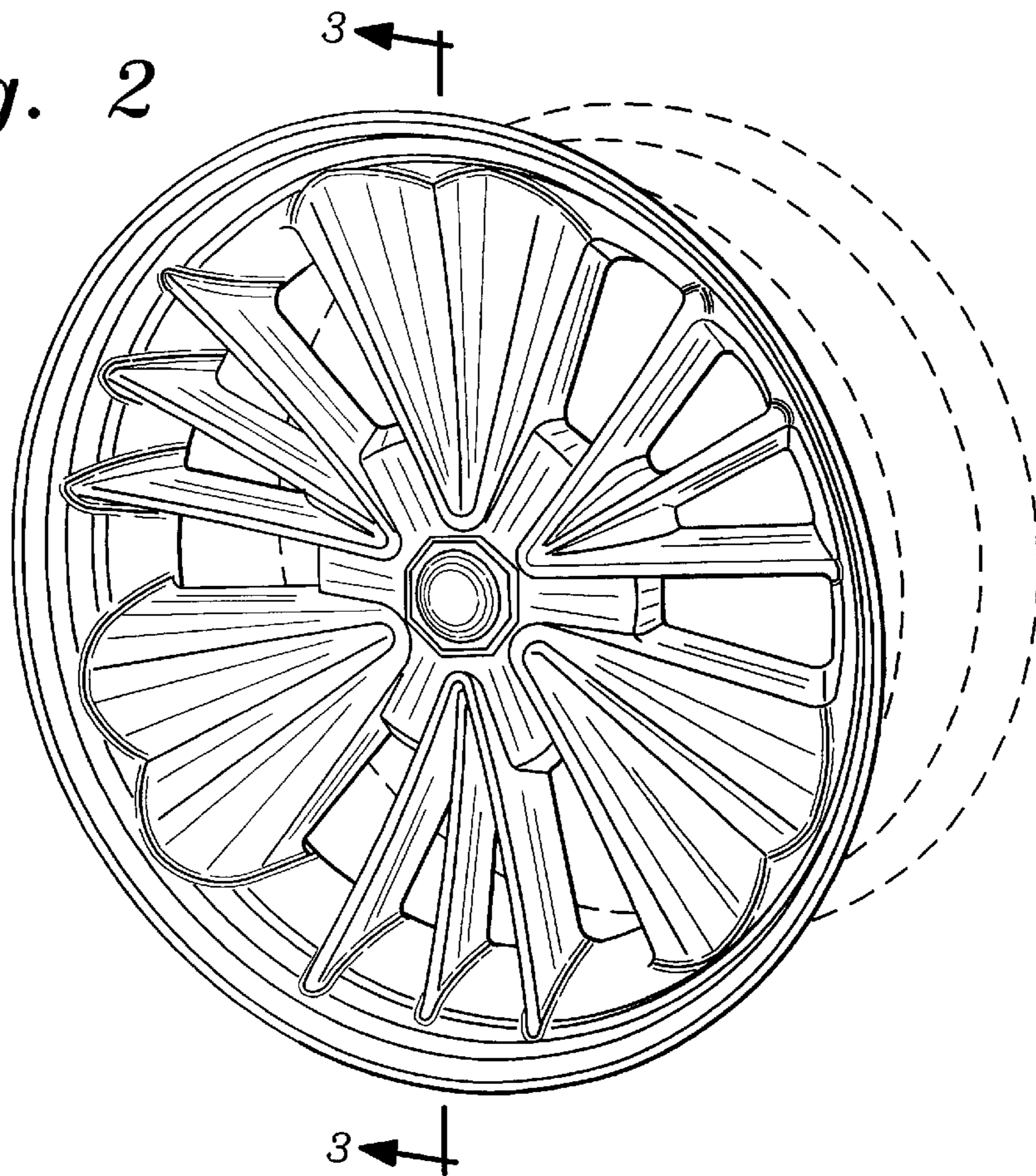


Fig. 2



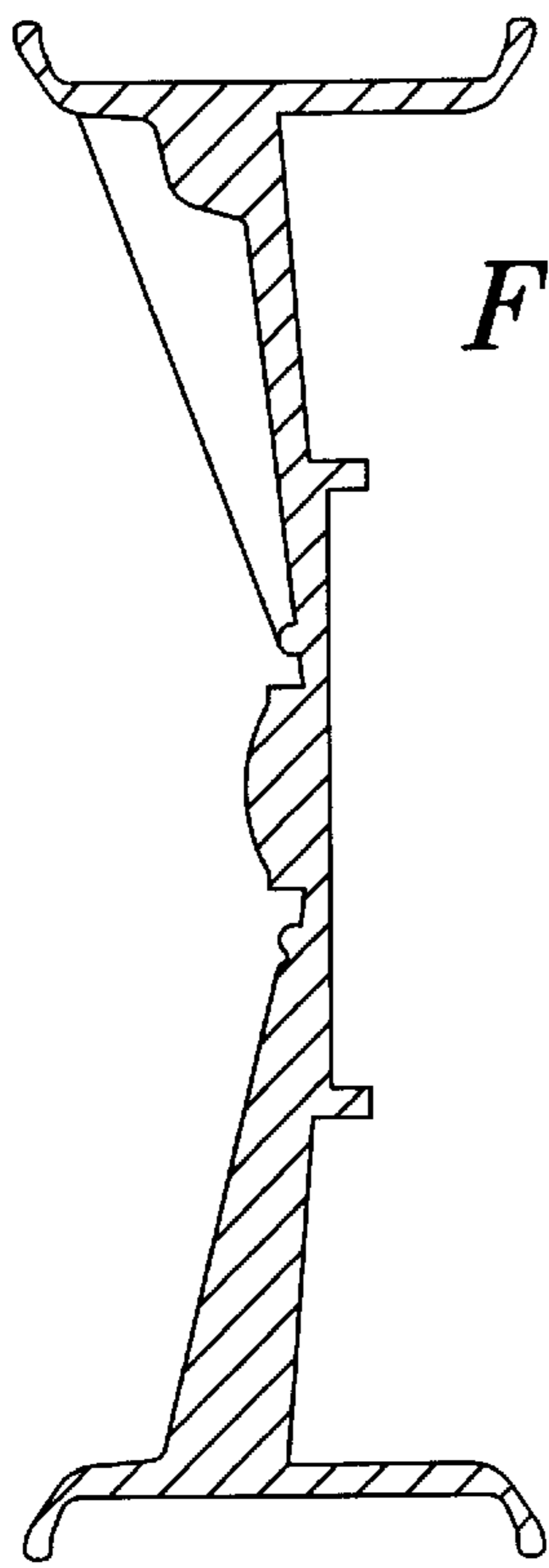


Fig. 3

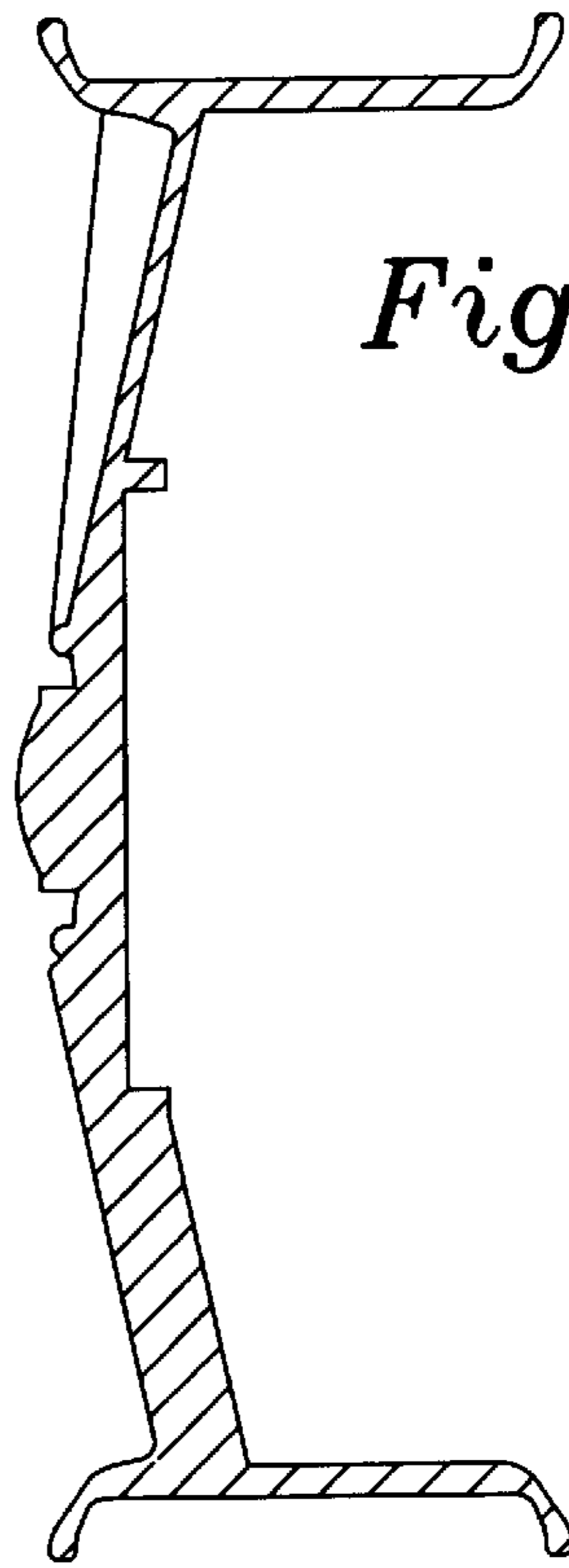


Fig. 5

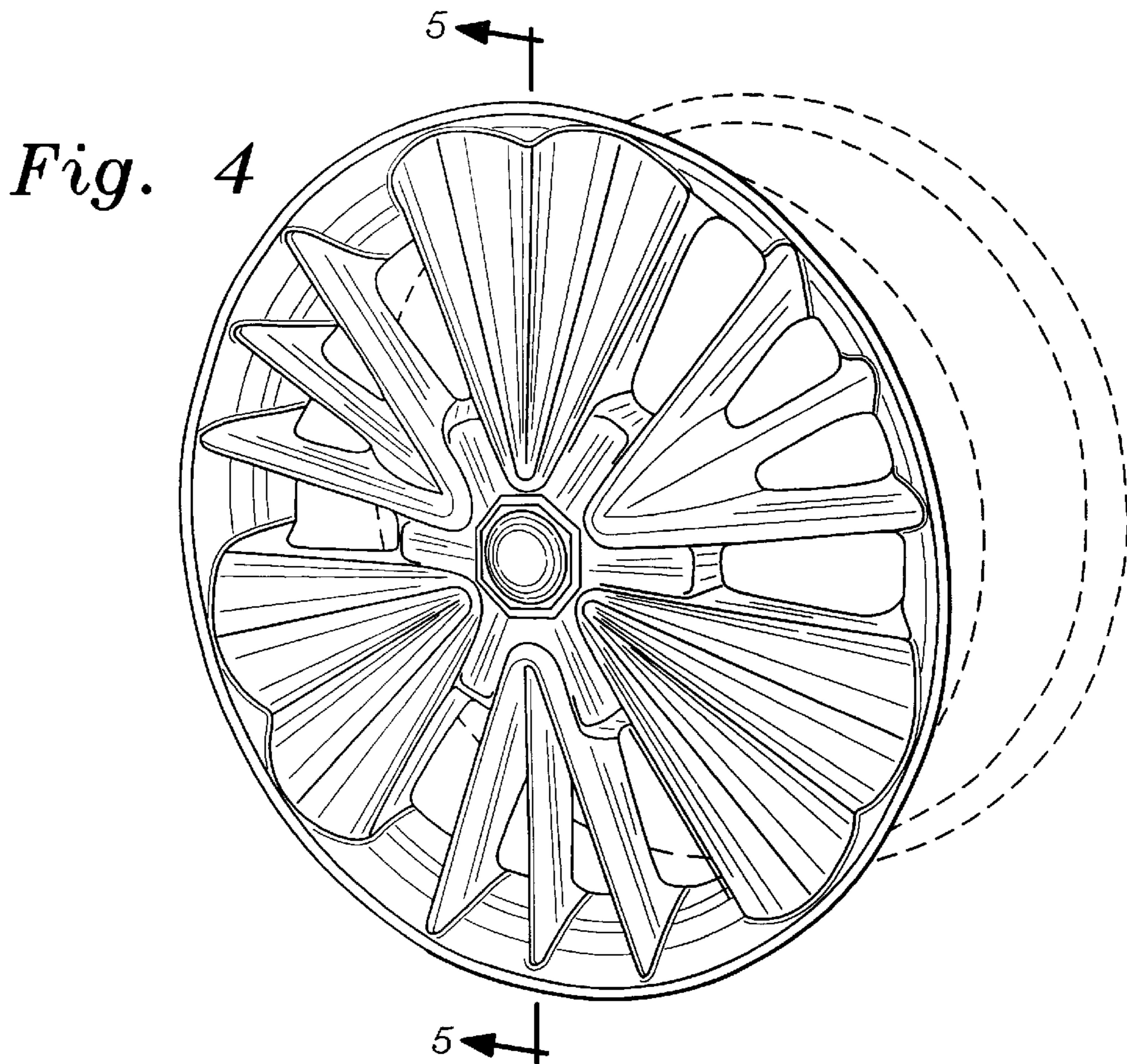


Fig. 4