



US00D427127S

**United States Patent** [19]  
**Horowitz**

[11] **Patent Number: Des. 427,127**  
[45] **Date of Patent: \*\* Jun. 27, 2000**

[54] **EXTERIOR AUTO SIDEVIEW MIRROR**

4,585,316 4/1986 Knutson et al. .  
4,759,620 7/1988 Sakuma et al. .... 359/841

[76] Inventor: **Brian Alan Michael Horowitz**, 1646  
Dunkirk La., Riverside, Calif. 91720

**OTHER PUBLICATIONS**

[\*\*] Term: **14 Years**

Road & Track, Jun. 1985, p. USA.  
Road & Track, Aug. 1997, p. 124, USA.  
Road & Track, Apr. 1985, p. 38, USA.  
Road & Track, Aug. 1987, p. 63, USA.

[21] Appl. No.: **29/107,165**

[22] Filed: **Jun. 29, 1999**

*Primary Examiner*—Ralf Seifert

[51] **LOC (7) Cl.** ..... **12-16**

[52] **U.S. Cl.** ..... **D12/187**

[58] **Field of Search** ..... D12/187-189;  
359/838, 843, 844, 850, 868, 871, 872,  
874, 876, 877, 881, 841, 507; 248/475.1,  
480, 481, 479, 487, 494, 483

[57] **CLAIM**

The ornamental design for an exterior auto sideview mirror, as shown.

**DESCRIPTION**

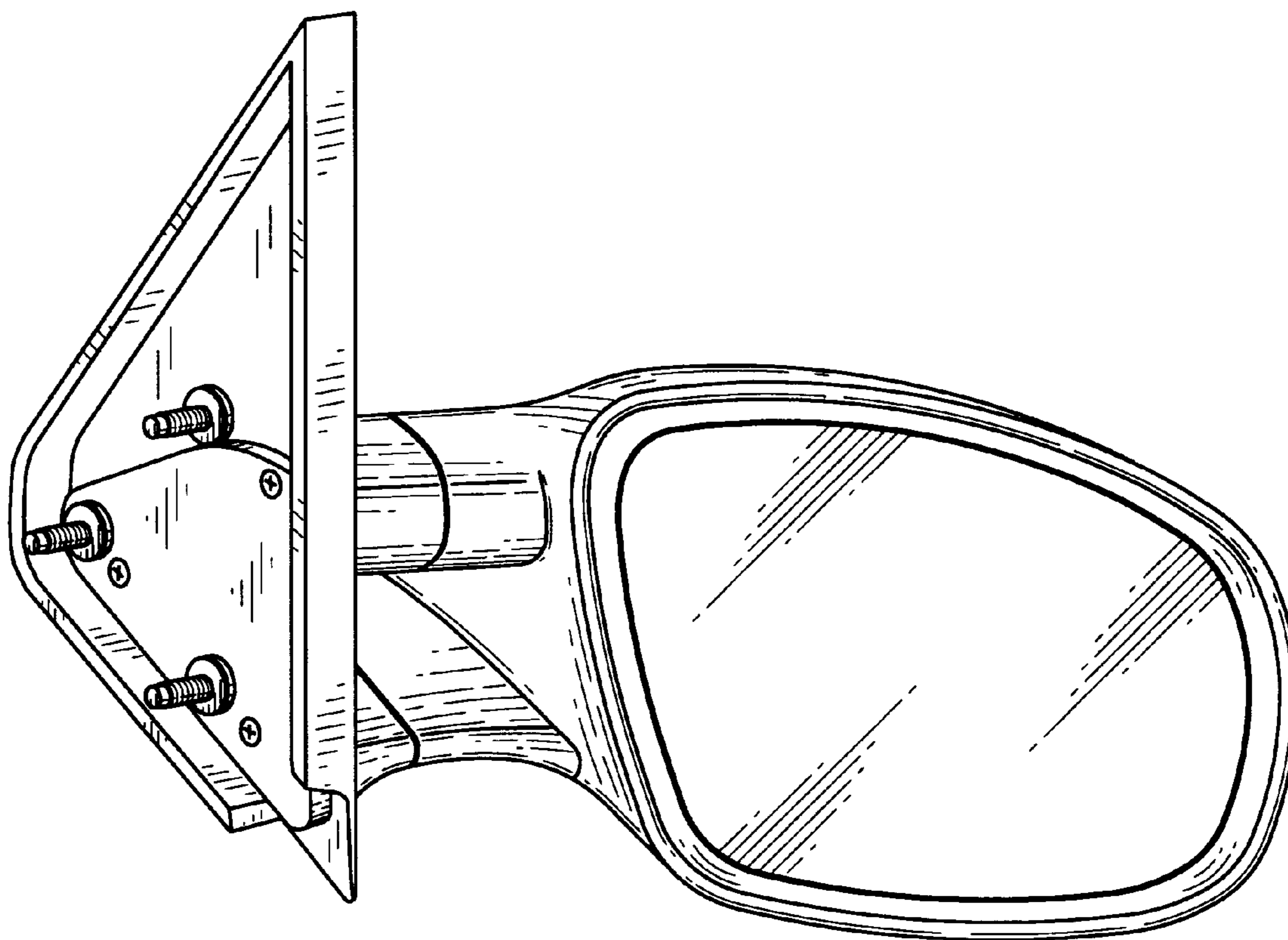
FIG. 1 is a perspective view of an exterior auto sideview mirror showing, our aerodynamic design;  
FIG. 2 is a top plan view thereof;  
FIG. 3 is a front elevational view thereof;  
FIG. 4 is a right side elevational view thereof;  
FIG. 5 is a rear elevational view thereof;  
FIG. 6 is a bottom plan view thereof; and,  
FIG. 7 is a left side elevational view thereof.

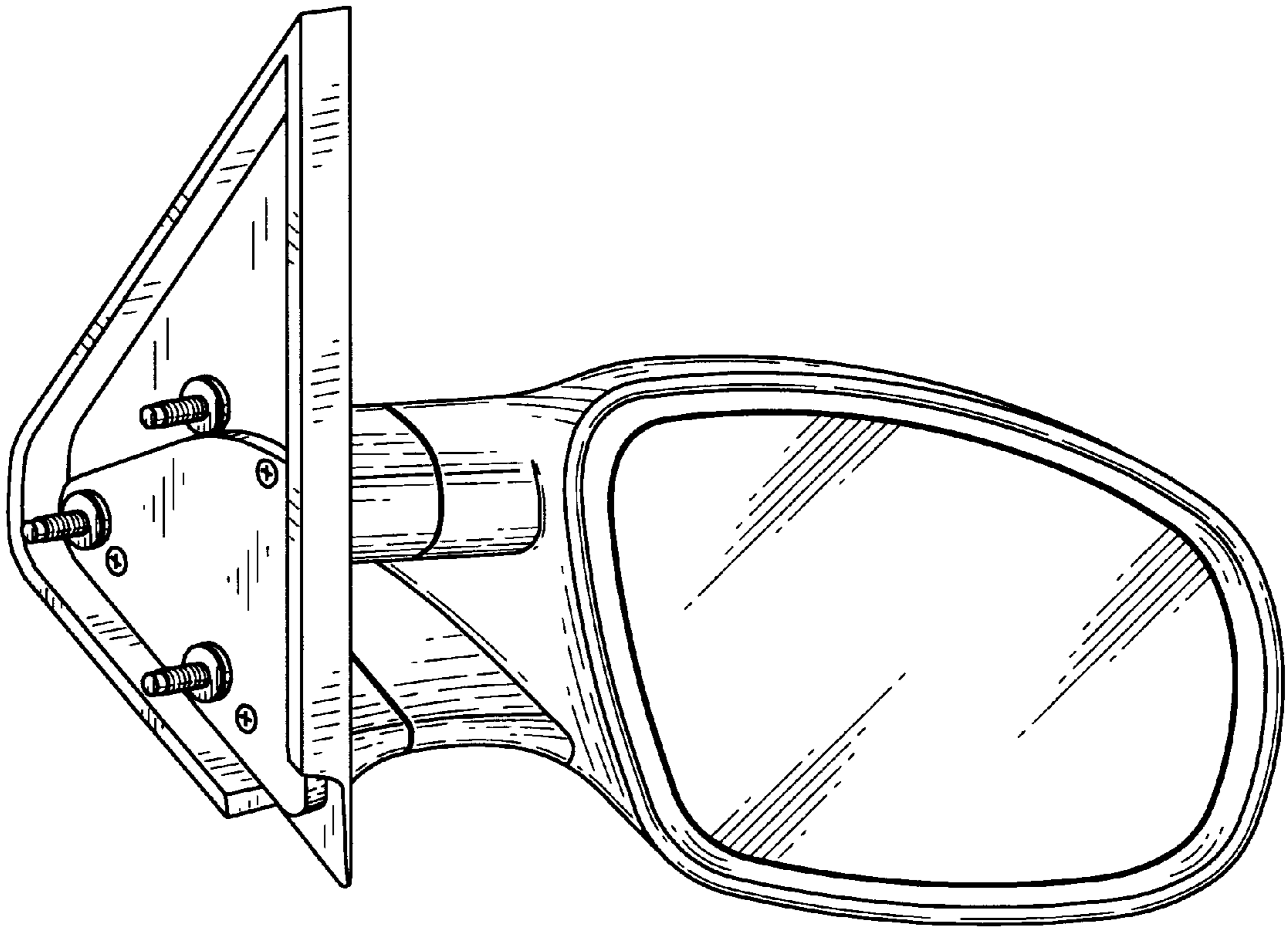
[56] **References Cited**

**U.S. PATENT DOCUMENTS**

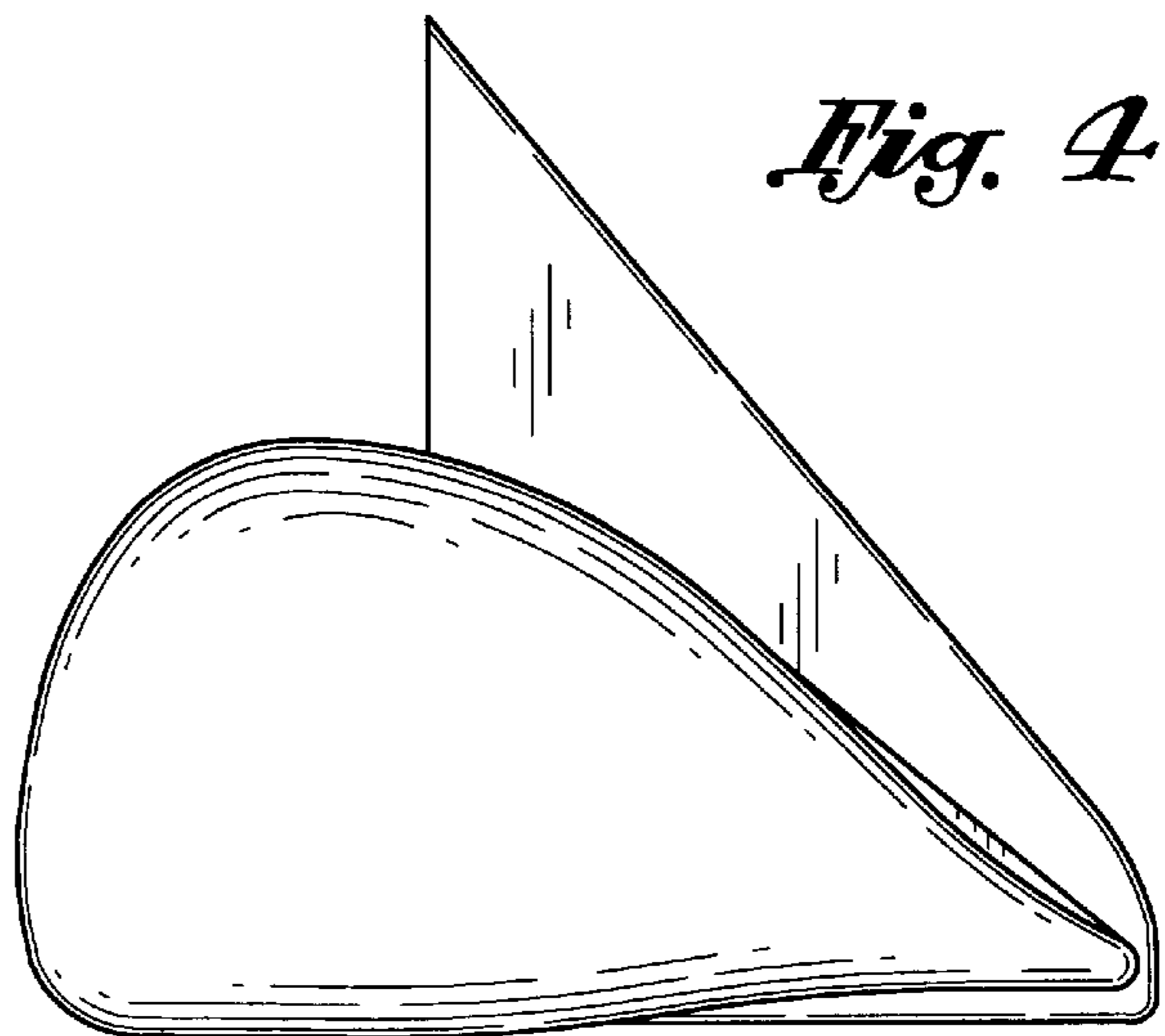
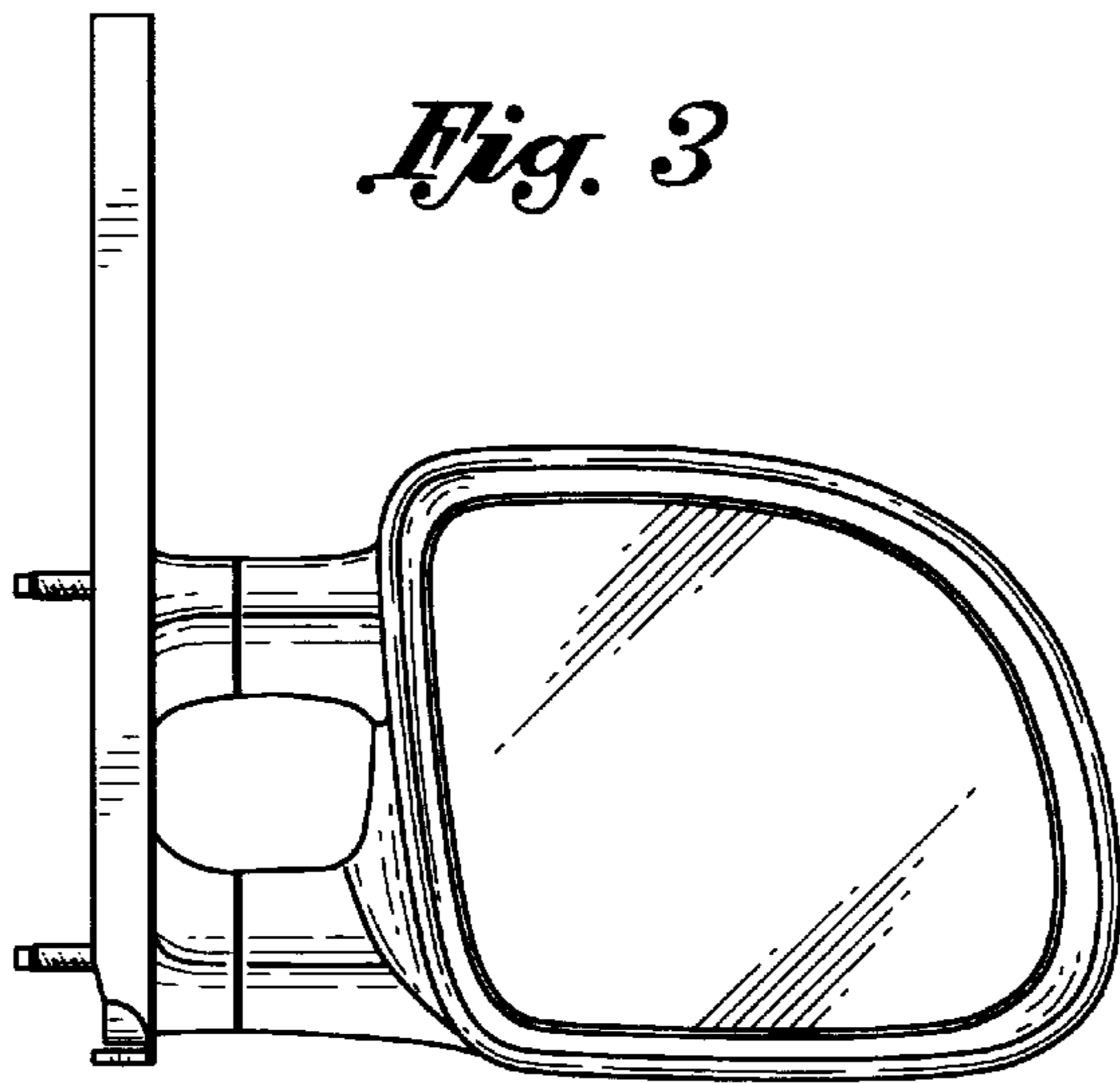
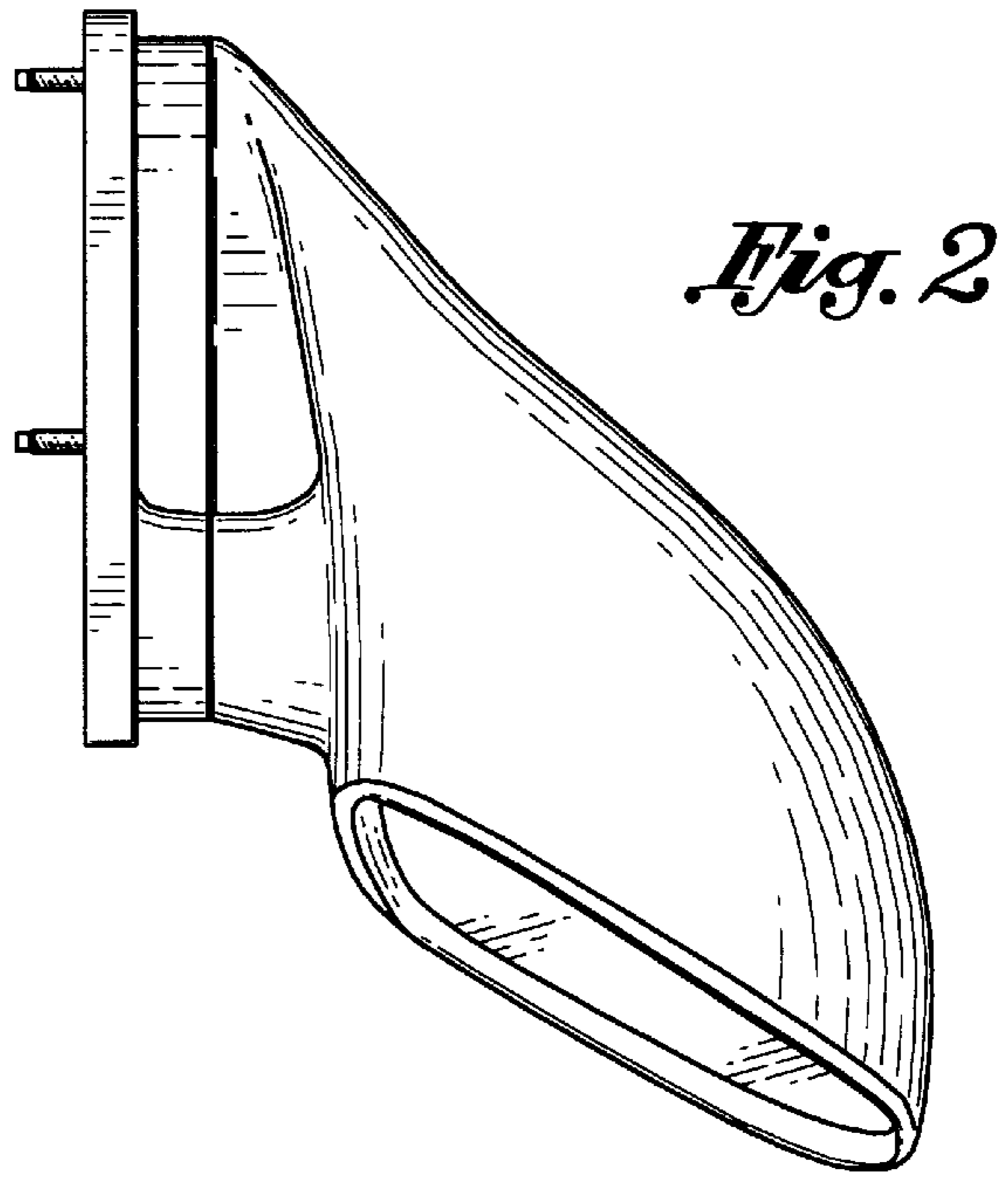
- D. 207,634 5/1967 Engelmann .
- D. 271,480 11/1983 Vitaloni .
- D. 276,514 11/1984 Envall et al. .
- D. 294,139 2/1988 Kretschmer .
- D. 299,020 12/1988 Saito .
- D. 302,964 8/1989 Fingerle .
- D. 350,721 9/1994 Dayton et al. .

**1 Claim, 3 Drawing Sheets**

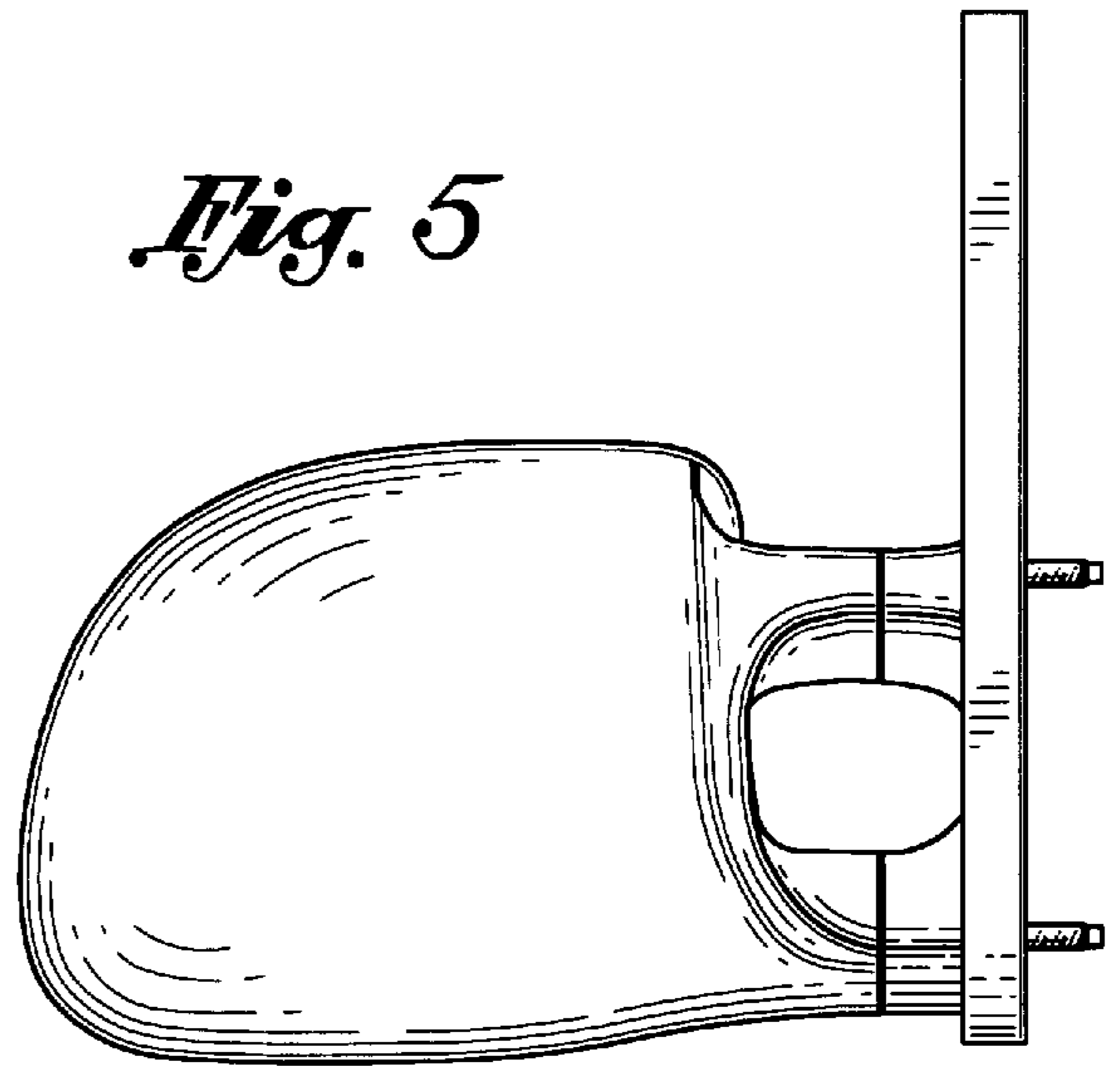




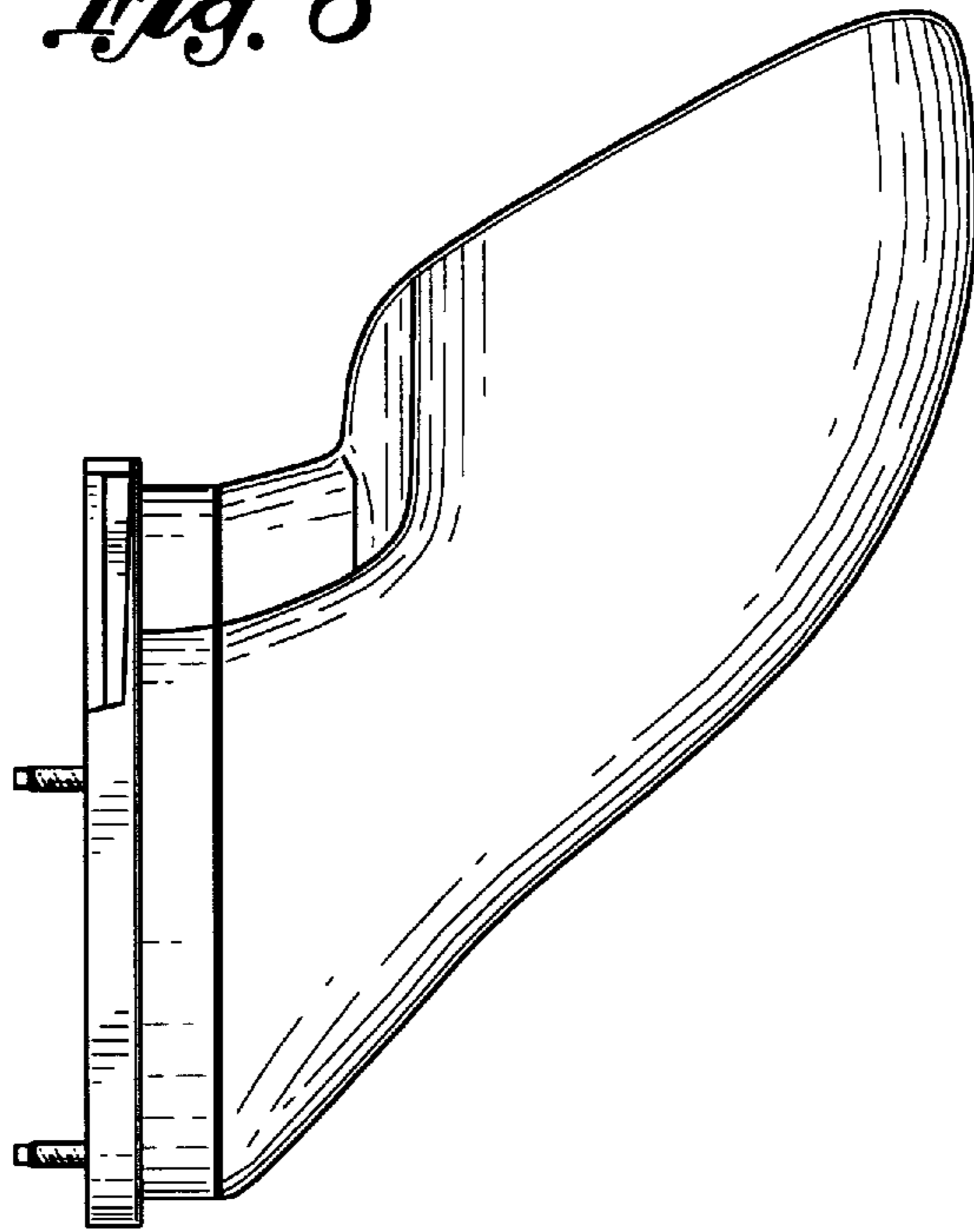
*Fig. 1*



*Fig. 5*



*Fig. 6*



*Fig. 7*

