



US00D427126S

# United States Patent [19]

Won et al.

[11] Patent Number: Des. 427,126

[45] Date of Patent: \*\* Jun. 27, 2000

[54] SPOILER

[75] Inventors: Steve Won, Rochester; Trevor M. Creed, West Bloomfield; Raymond C. Cannara, Ortonville; Robert J. Janosko, Bloomfield Hills, all of Mich.

[73] Assignee: DaimlerChrysler Corporation, Auburn Hills, Mich.

[\*\*] Term: 14 Years

[21] Appl. No.: 29/098,475

[22] Filed: Dec. 30, 1998

[51] LOC (7) Cl. .... 12-16

[52] U.S. Cl. .... D12/181

[58] Field of Search ..... D12/91, 181, 191, D12/196, 400; 160/133, 161; 280/848; 296/82, 180.1, 180.2, 208, 280.3-180.5

### [56] References Cited

#### U.S. PATENT DOCUMENTS

D. 291,978	9/1987	Parr et al. ....	D12/181
D. 313,773	1/1991	Waling et al. ....	D12/92
D. 319,613	9/1991	Mikawa ....	D12/181
D. 322,238	12/1991	Kanai ....	D12/181
D. 353,563	12/1994	Ferrario et al. ....	D12/92
D. 365,782	1/1996	Reynard et al. ....	D12/88
D. 375,469	11/1996	Ferrario et al. ....	D12/91
D. 376,341	12/1996	Kovach ....	D12/181

D. 382,238	8/1997	Fink .....	D12/181
D. 389,110	1/1998	Stanesic .....	D12/181
D. 401,199	11/1998	Kovach et al. ....	D12/181

### OTHER PUBLICATIONS

Co-pending U.S. Serial No. 29/100,201, filed Feb. 4, 1999, pending.

Co-pending U.S. Serial No. 29/018,3746, filed Feb. 14, 1994, now D413552 Sep. 7, 1999.

Primary Examiner—Doris V. Coles  
Assistant Examiner—Stacia Sinuik  
Attorney, Agent, or Firm—Mark P. Calcaterra

### [57] CLAIM

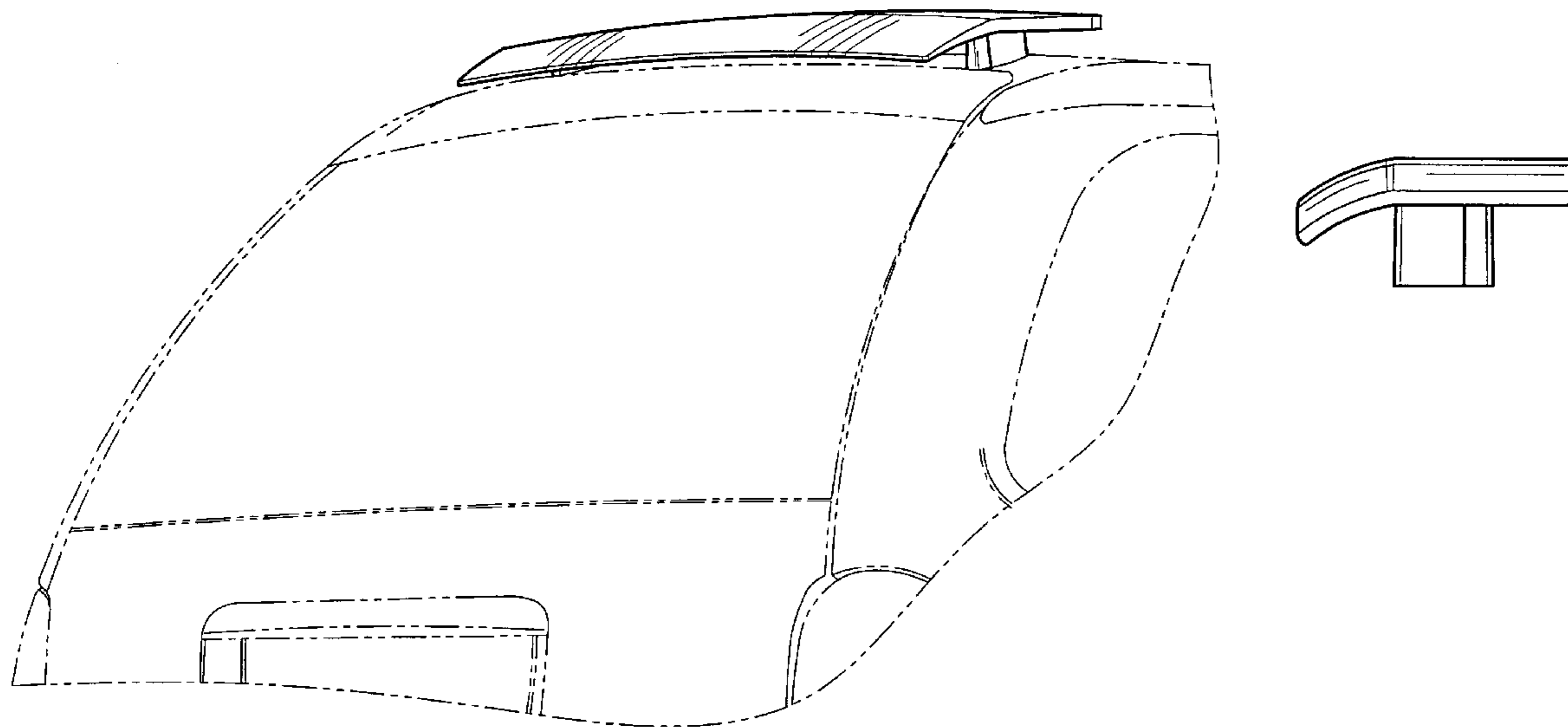
The ornamental design for a spoiler, as shown and described.

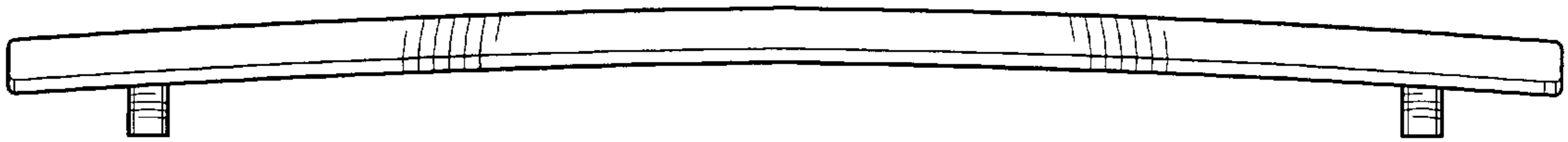
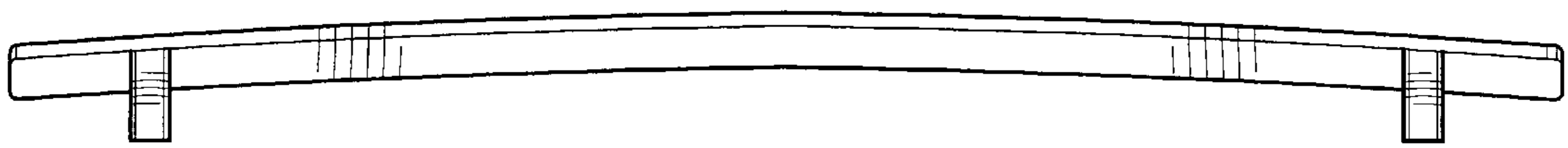
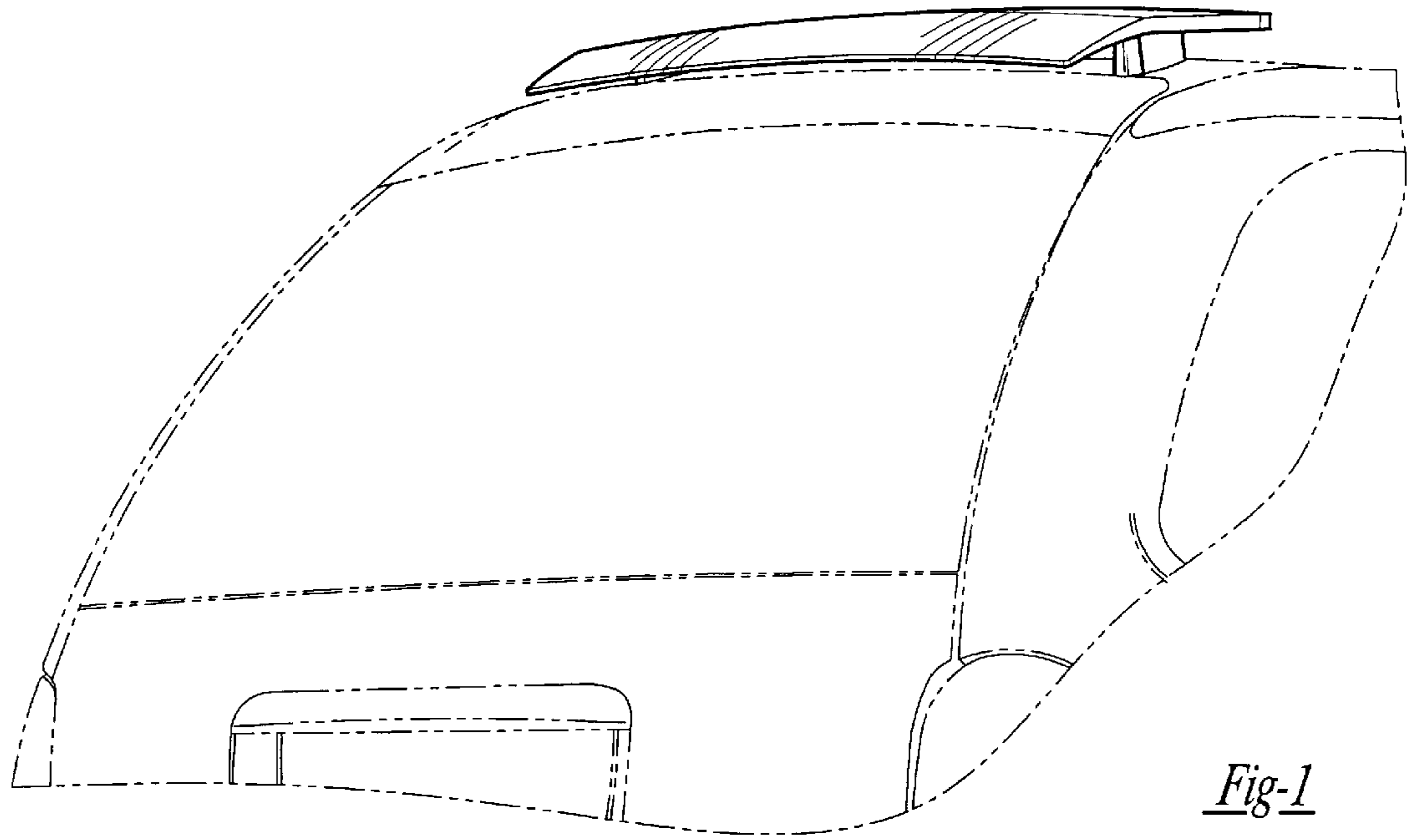
### DESCRIPTION

FIG. 1 is a rear perspective view of a spoiler constructed in accordance with the teachings of the present invention shown operatively attached to a portion of a motor vehicle, it being understood that the broken line showing of the portion of the motor vehicle is for illustration only and forms no part of the subject invention.

FIG. 2 is an enlarged front view thereof;  
FIG. 3 is an enlarged rear view thereof;  
FIG. 4 is an enlarged right side view thereof;  
FIG. 5 is an enlarged left side view thereof;  
FIG. 6 is an enlarged top view thereof; and,  
FIG. 7 is an enlarged bottom view thereof.

1 Claim, 2 Drawing Sheets





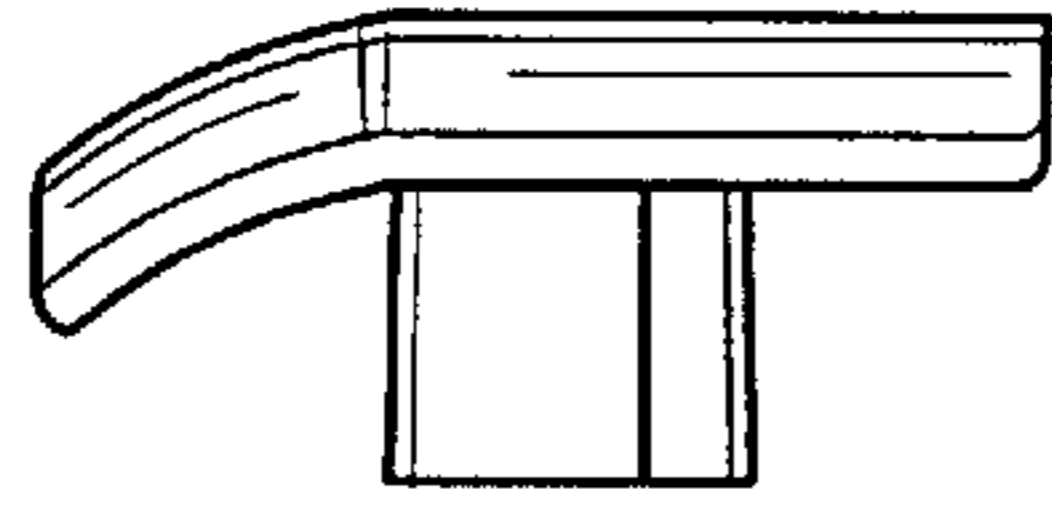


Fig-4

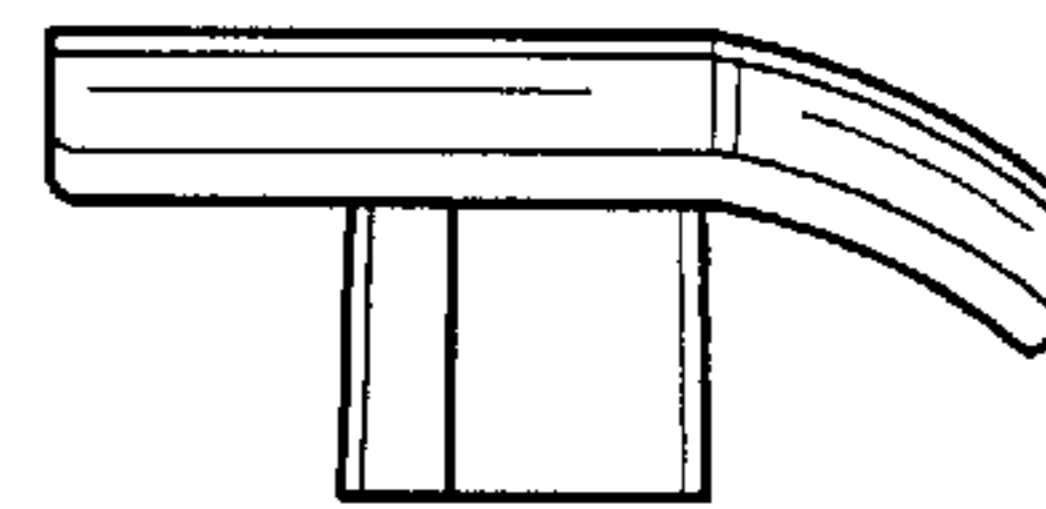


Fig-5

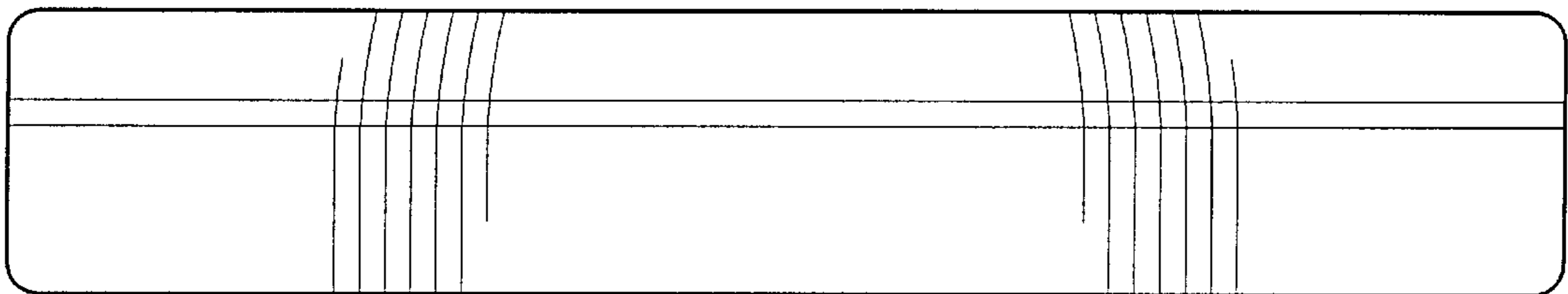


Fig-6

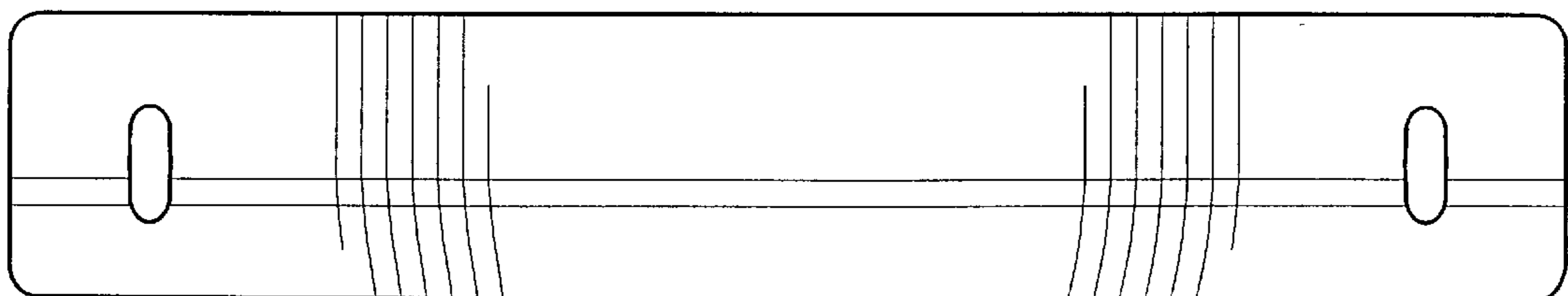


Fig-7