



US00D427125S

United States Patent [19]
Hanamura

[11] **Patent Number: Des. 427,125**
[45] **Date of Patent: ** Jun. 27, 2000**

[54] **BICYCLE BRAKE UNIT**

[75] Inventor: **Junichi Hanamura**, Wakayama, Japan

[73] Assignee: **Shimano, Inc.**, Sakai, Japan

[**] Term: **14 Years**

[21] Appl. No.: **29/083,281**

[22] Filed: **Feb. 9, 1998**

[51] **LOC (7) Cl.** **12-16**

[52] **U.S. Cl.** **D12/180**

[58] **Field of Search** D12/179, 180;
188/24.11, 24.12, 24.21, 24.13, 24.22; 74/502.4,
502.6

[56] **References Cited**

U.S. PATENT DOCUMENTS

D. 384,017	9/1997	Nishimura	D12/179
D. 384,018	9/1997	Nishimura	D12/179
5,484,032	1/1996	Le	188/24.12
5,538,107	7/1996	Lumpken	188/24.12
5,564,531	10/1996	Lumpken	188/24.12
5,655,630	8/1997	Sugimoto	188/24.22

OTHER PUBLICATIONS

1996 Shimano Bicycle System Components Aug. 1995, p. 66.

Primary Examiner—Melody N. Brown

Attorney, Agent, or Firm—Shinju An Intellectual Property Firm

[57] **CLAIM**

The ornamental design for bicycle brake unit, as shown and described.

DESCRIPTION

FIG. 1 is a front elevational view of bicycle brake arms of a bicycle brake unit showing my new design;
 FIG. 2 is a rear elevational view of the bicycle brake arms showing my new design;
 FIG. 3 is a first side elevational view of the bicycle brake arms showing my new design;
 FIG. 4 is a second side elevational view of the bicycle brake arms showing my new design;
 FIG. 5 is a bottom view of the bicycle brake arms showing my new design;
 FIG. 6 is a top view of the bicycle brake arms showing my new design; and,
 FIG. 7 is a perspective view of the bicycle brake arms showing my new design.

The drawings show brake arms of a bicycle brake unit used with a bicycle in accordance with my new design.

The broken lines shown in FIGS. 1, 2, 5 and 6 are shown for illustrative purposes only and form no part of the claimed design.

1 Claim, 7 Drawing Sheets

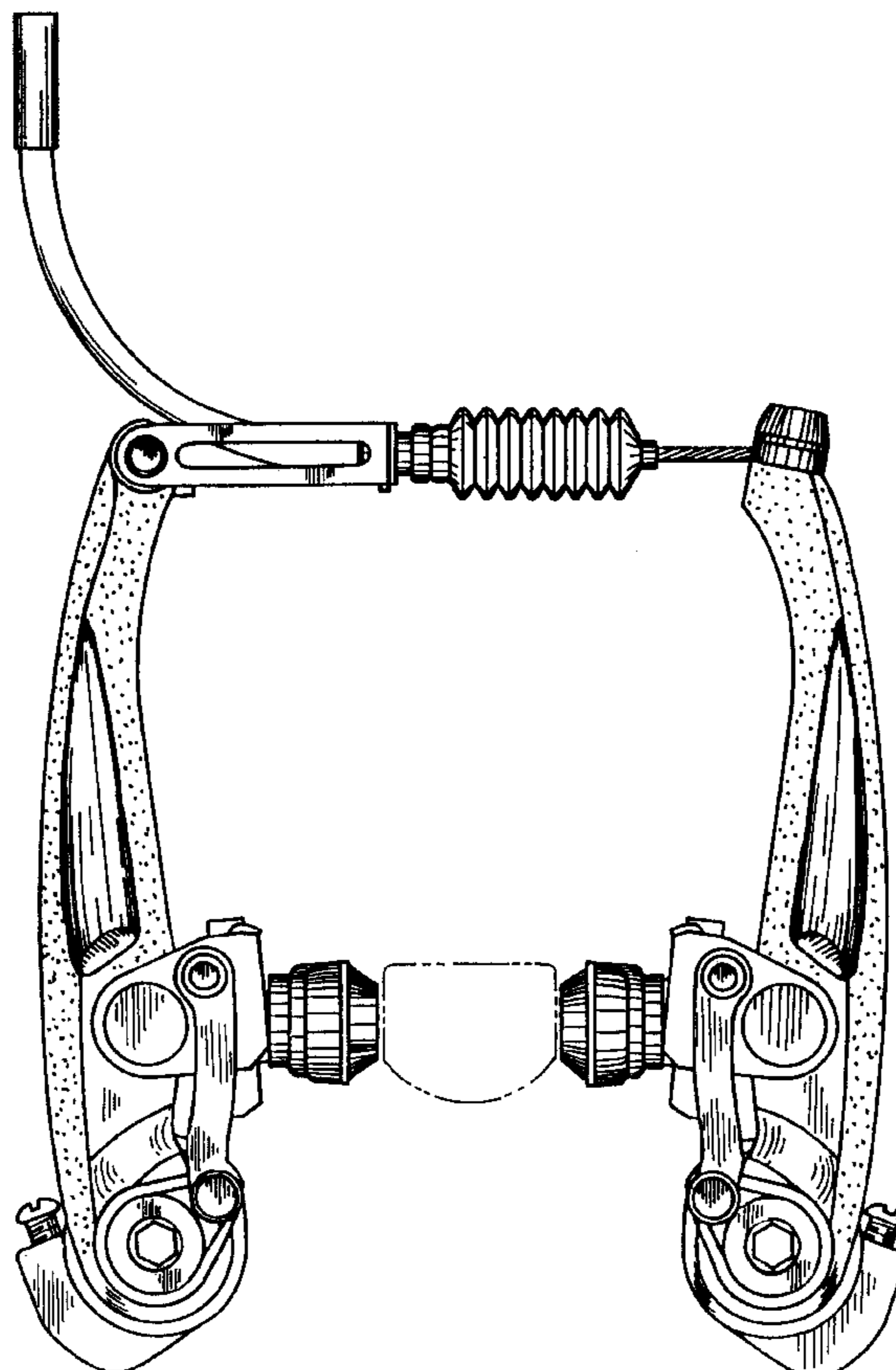


Fig. 1

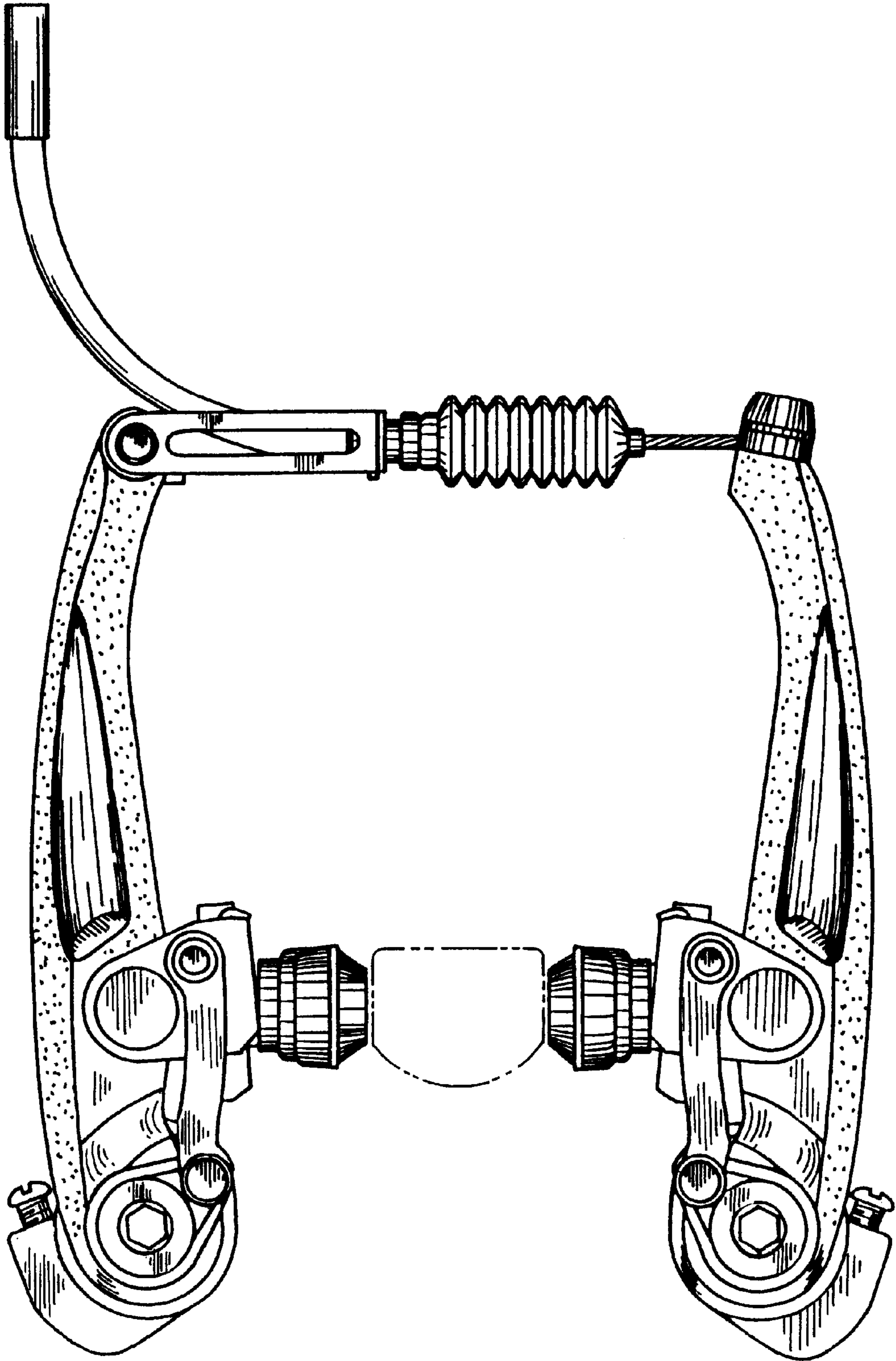


Fig. 2

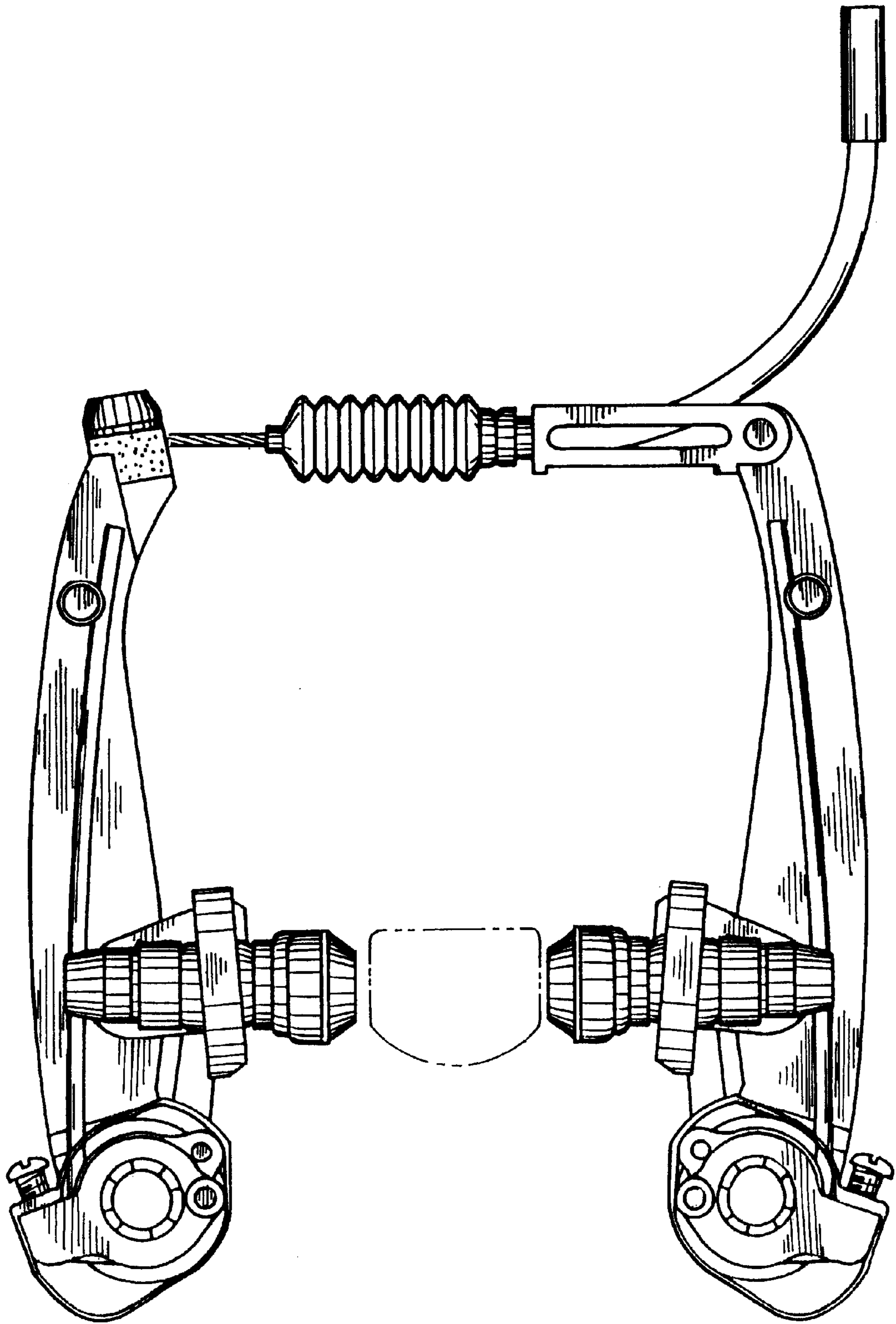


Fig. 3

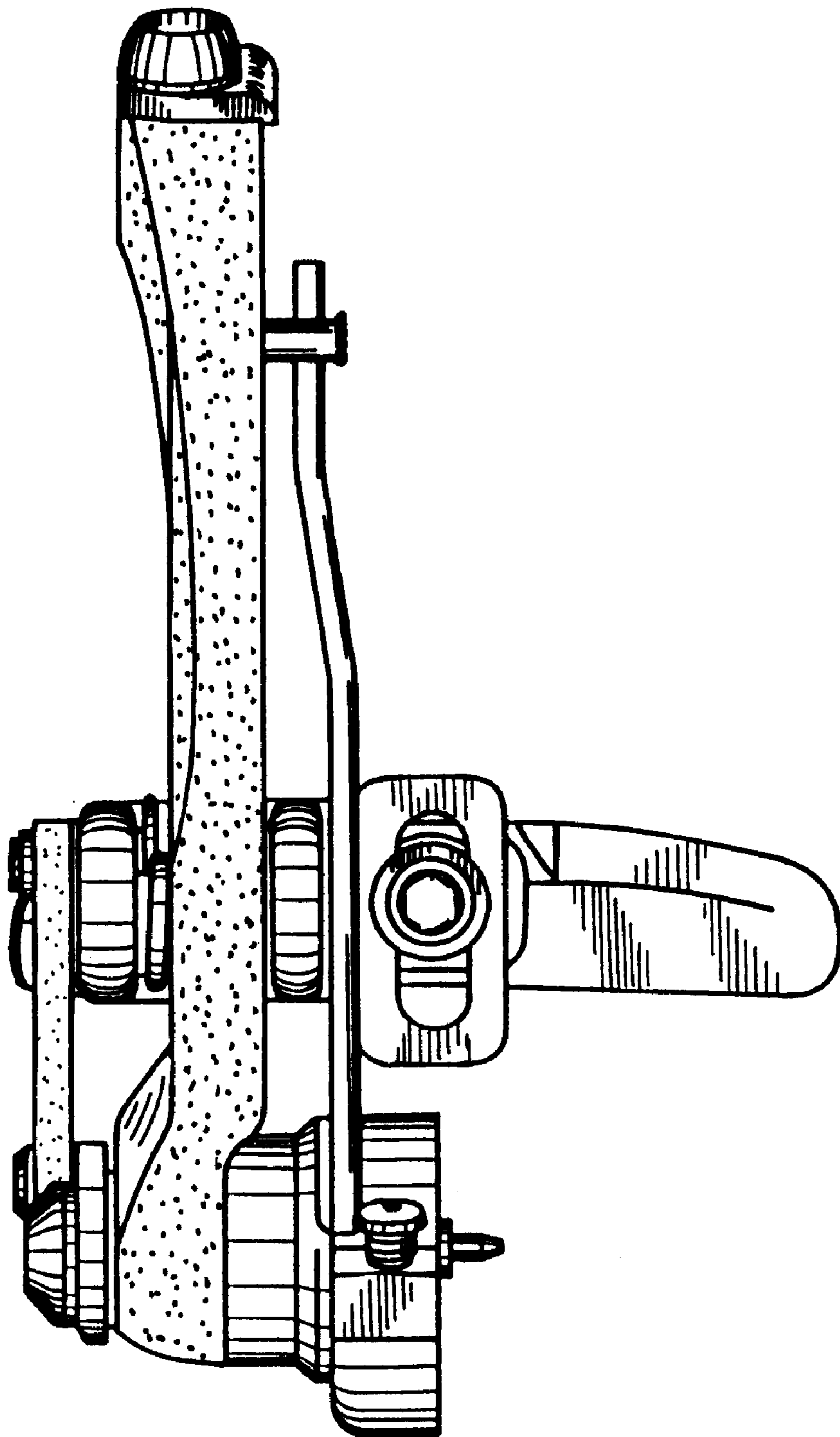


Fig. 4

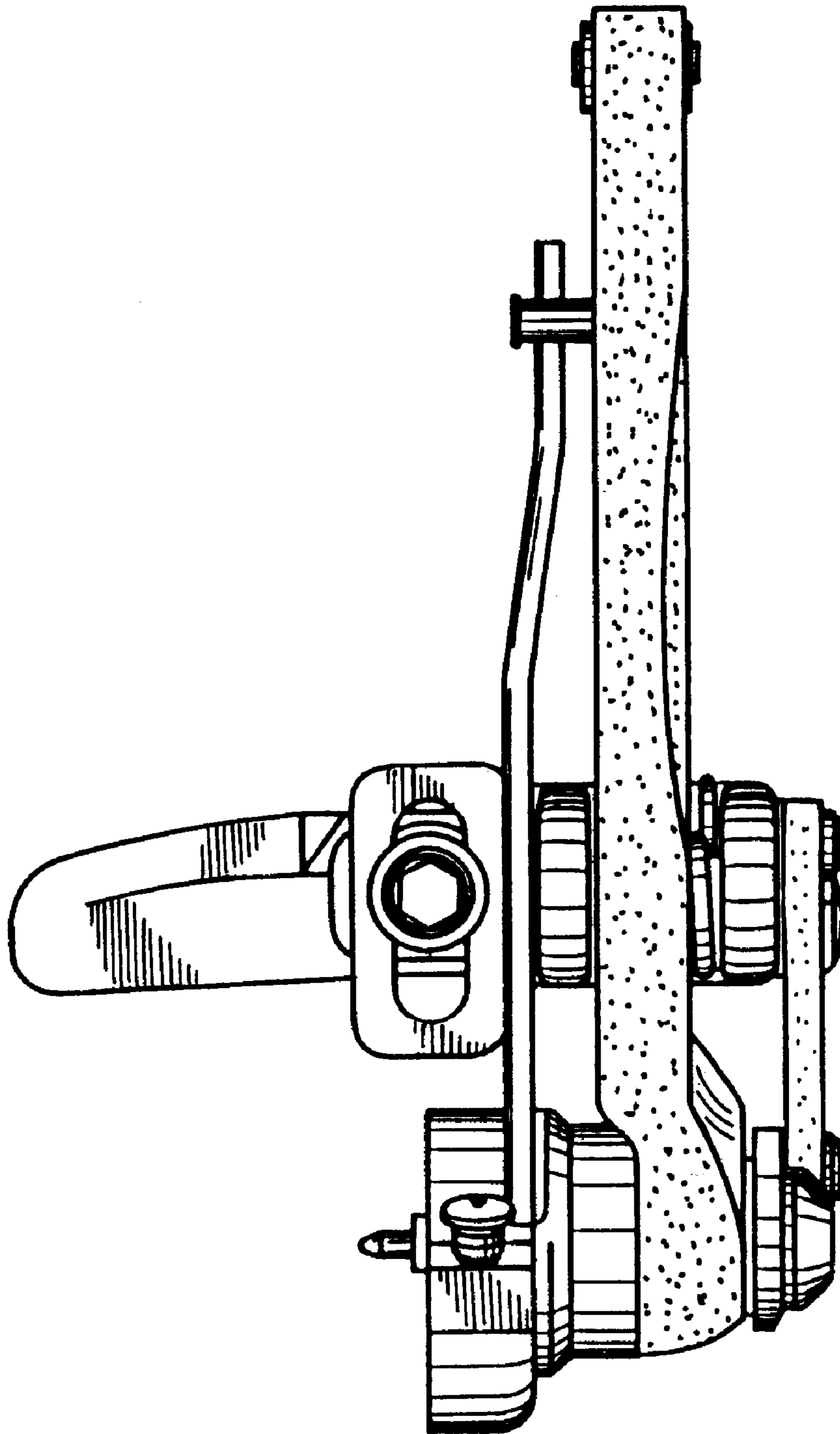


Fig. 5

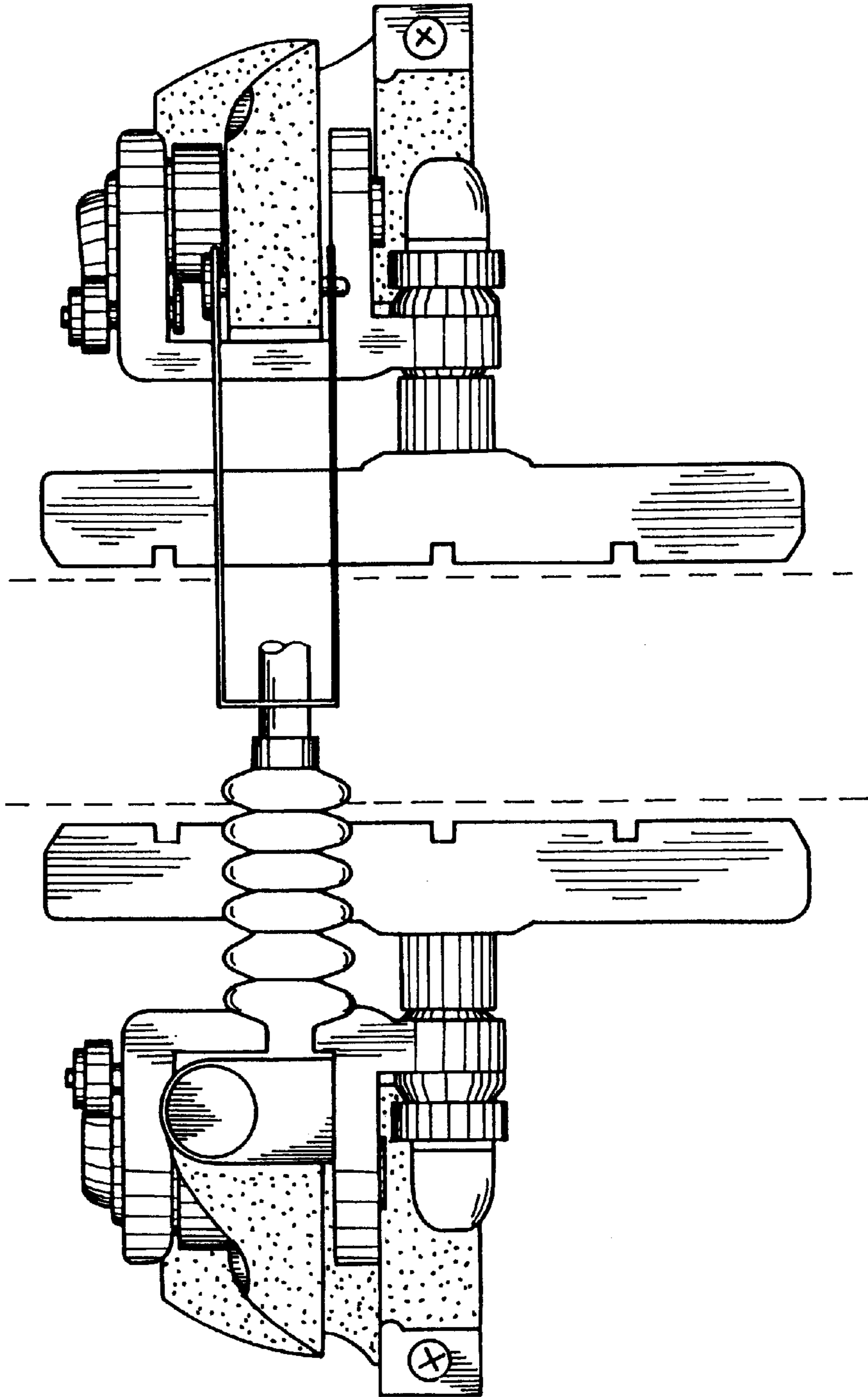


Fig. 6

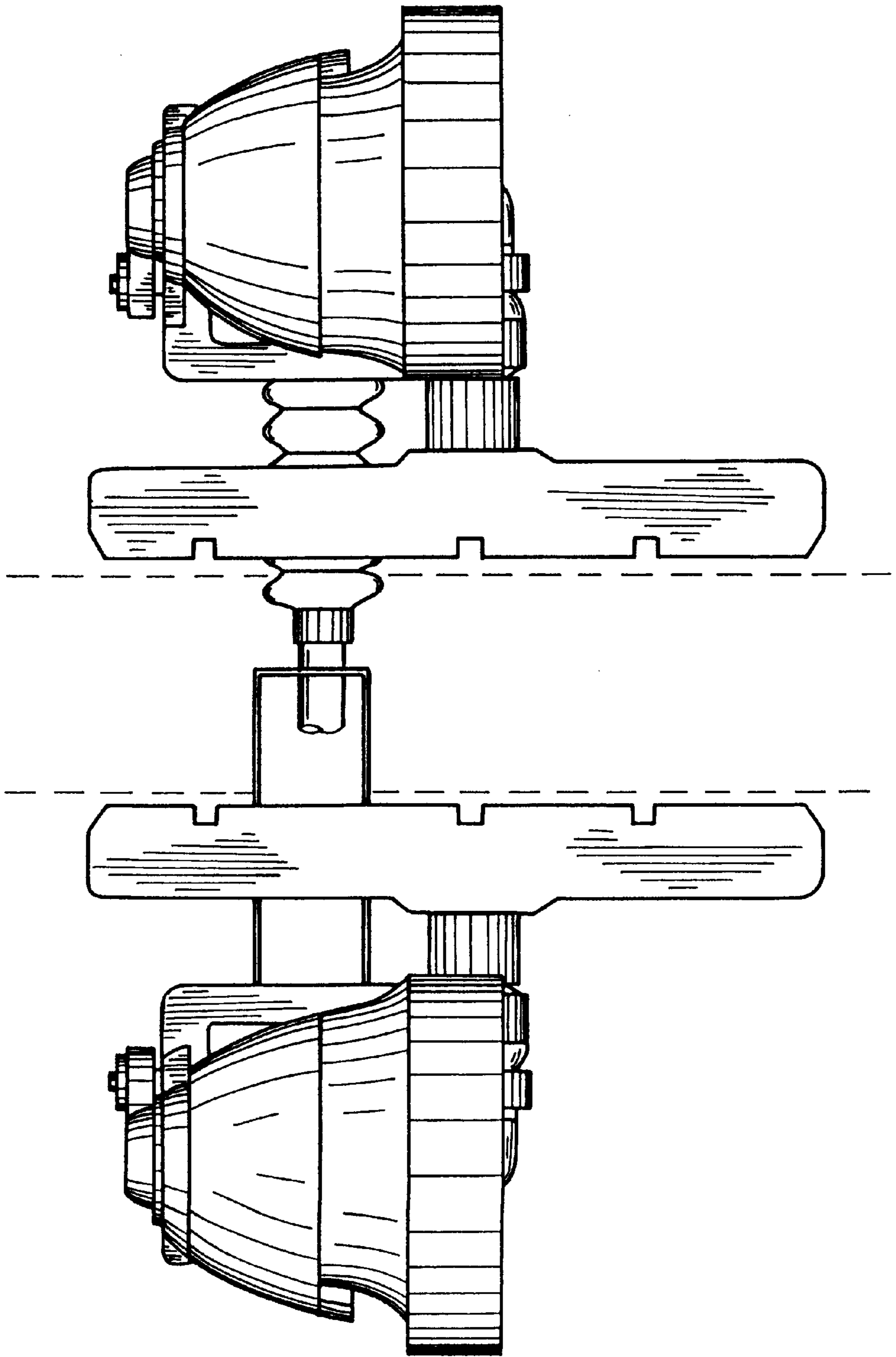


Fig. 7

