



US00D427120S

United States Patent [19]
Pfeiffer

[11] **Patent Number: Des. 427,120**
[45] **Date of Patent: ** Jun. 27, 2000**

[54] **SURFACE CONFIGURATION OF A RADIATOR GRILL FOR A VEHICLE**

D. 396,677 8/1998 Sacco et al. D12/163
D. 421,734 3/2000 Sacco et al. D12/163
D. 422,249 4/2000 Sacco et al. D12/163

[75] Inventor: **Peter Pfeiffer**, Boeblingen, Germany

[73] Assignee: **DaimlerChrysler AG**, Stuttgart, Germany

[**] Term: **14 Years**

Primary Examiner—Melody N. Brown
Attorney, Agent, or Firm—Evenson, McKeown, Edwards & Lenahan, P.L.L.C.

[21] Appl. No.: **29/111,145**

[22] Filed: **Sep. 23, 1999**

[57] **CLAIM**

The ornamental design for a surface configuration of a radiator grill for a vehicle, as shown and described.

[30] **Foreign Application Priority Data**

Mar. 23, 1999 [DE] Germany 4 99 03 055

DESCRIPTION

[51] **LOC (7) Cl.** **12-16**

[52] **U.S. Cl.** **D12/163**

[58] **Field of Search** D12/163; 180/68.6, 180/69.21, 68.1

FIG. 1 is a perspective view of a surface configuration of a radiator grill for a vehicle according to my novel design; and,

FIG. 2 is a front view of the surface configuration of a radiator grill for a vehicle according to my novel design.

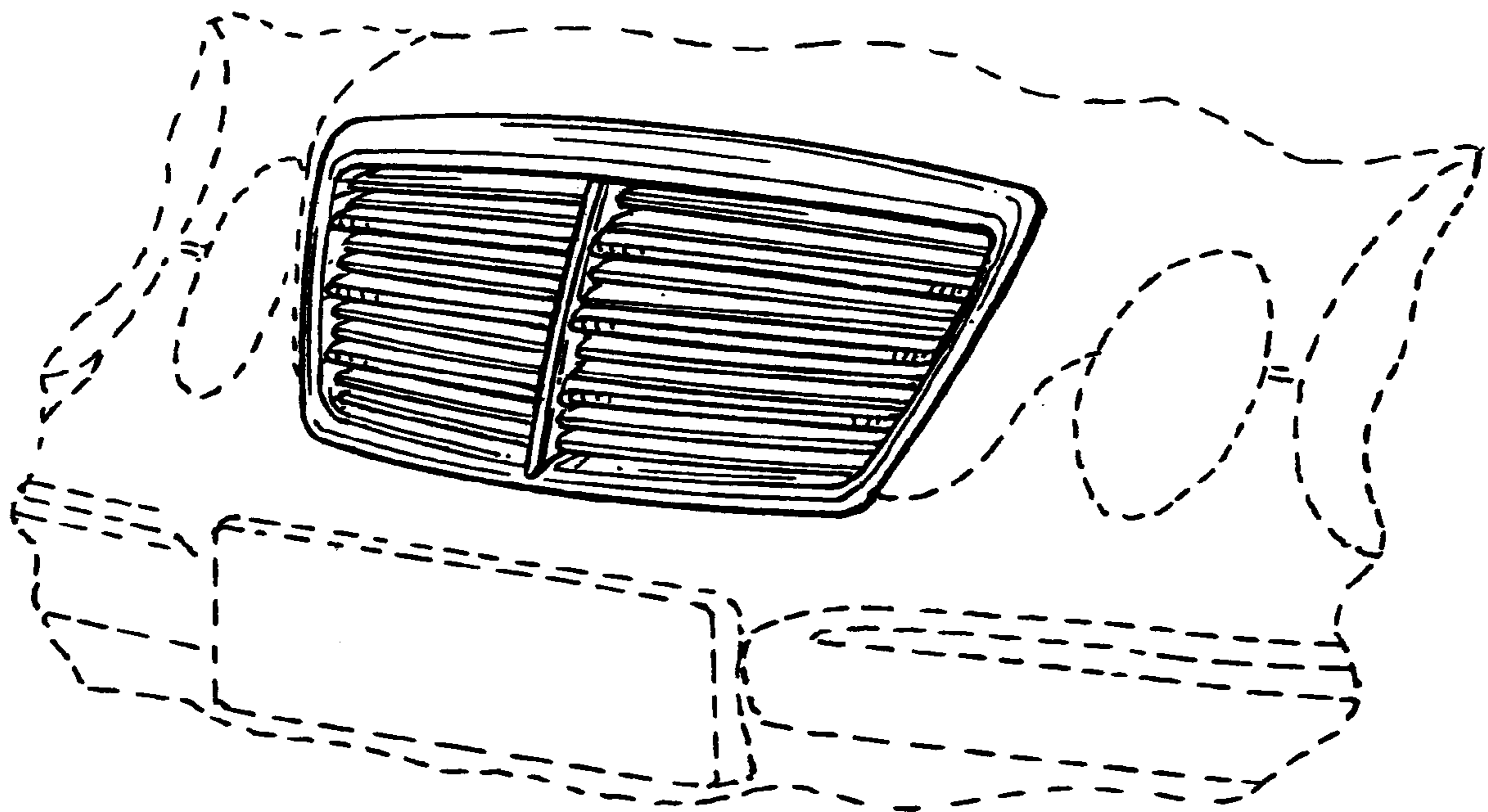
The broken lines included depict environment and are not part of the claimed design.

[56] **References Cited**

U.S. PATENT DOCUMENTS

D. 393,610 4/1998 Sacco et al. D12/92

1 Claim, 1 Drawing Sheet



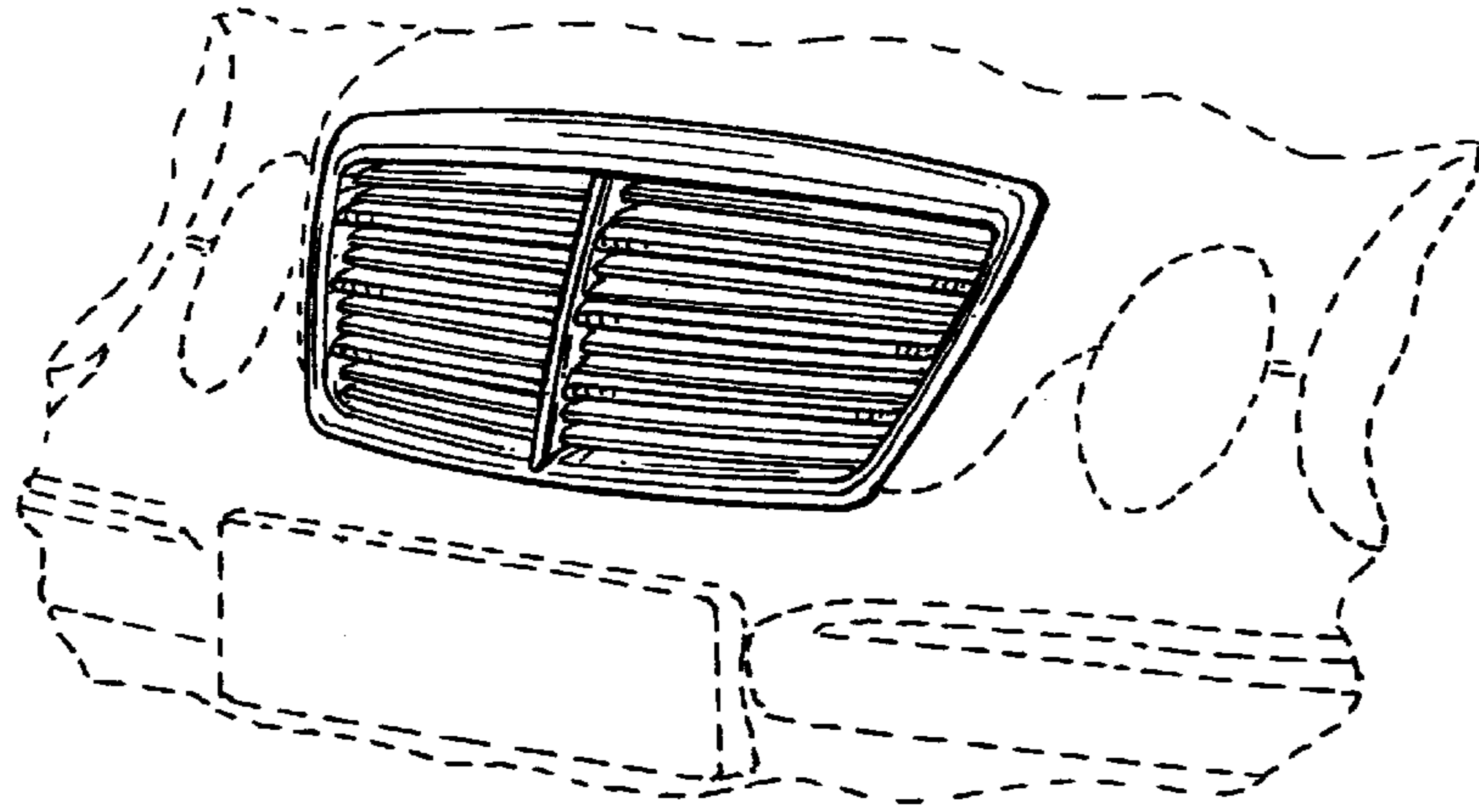


FIG. 1

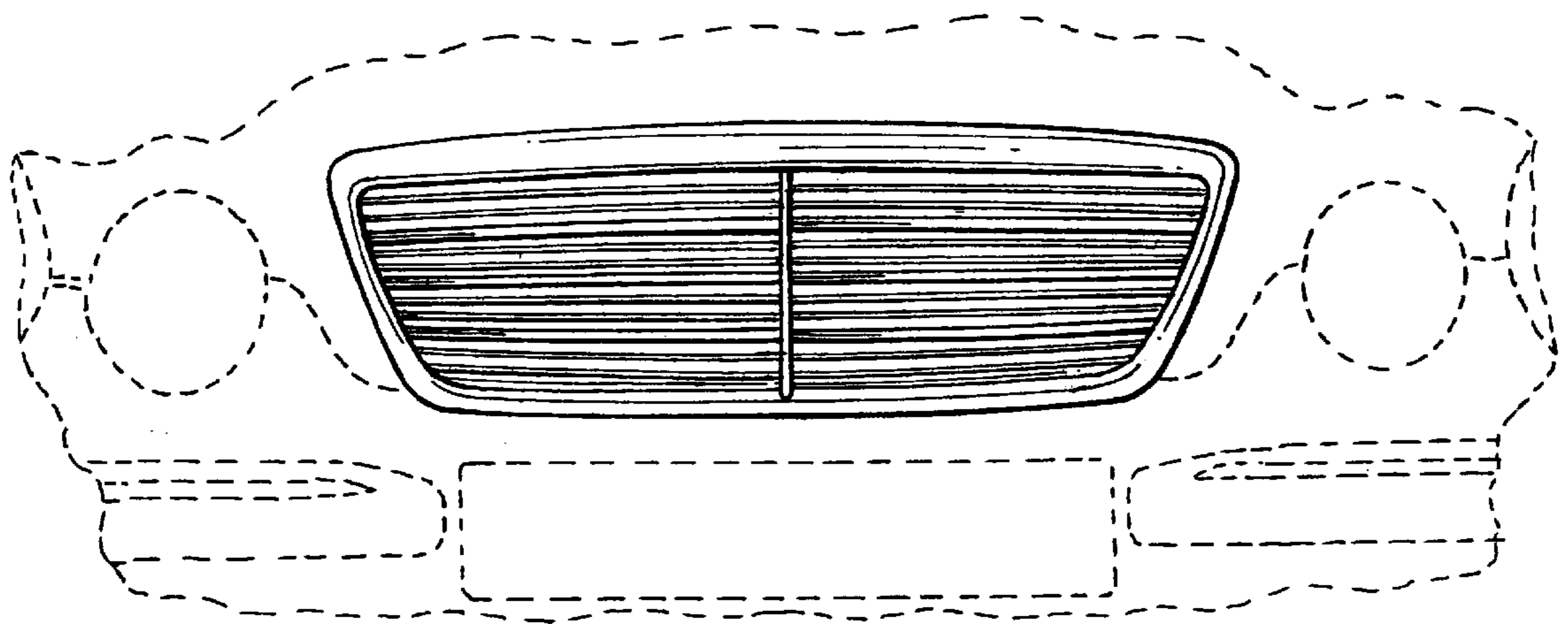


FIG. 2