



US00D427118S

United States Patent [19]

[11] Patent Number: **Des. 427,118**

McCoy et al.

[45] Date of Patent: **** Jun. 27, 2000**

[54] **PAIR OF ELLIPTICAL TUBES FOR HITCH RECEIVER**

4,032,170	6/1977	Wood	280/495
4,398,744	8/1983	Schoepfel et al.	280/495
5,489,111	2/1996	Collins	280/495

[75] Inventors: **Richard W. McCoy**, Granger; **Chad A. McCoige**, Mishawaka; **Donald L. Pancheri**, South Bend, all of Ind.; **Michael A. Hoopes**, White Pigeon, Mich.

OTHER PUBLICATIONS

Sebring Oval Exhaust Muffler Extension Pipe, D&W Auto-zubehoer 1994 Catalog (German), p. 371, Aug. 1994.
 GMR Oval Exhaust Muffler Extension Pipe, D&W Auto-zubehoer 1994 Catalog, p. 392, Aug. 1994.
 Reese Products, Inc., "1998 Products, Applications & Towing Accessories Catalog," 1st ed., Reese Products, Inc., (Jan. 18, 1998).

[73] Assignee: **Reese Products, Inc.**, Elkhart, Ind.

[**] Term: **14 Years**

Primary Examiner—Robert M. Spear
Attorney, Agent, or Firm—King and Schickli, PLLC

[21] Appl. No.: **29/095,839**

[22] Filed: **Oct. 30, 1998**

[57] CLAIM

[51] **LOC (7) Cl.** **12-16**

[52] **U.S. Cl.** **D12/162**

[58] **Field of Search** D12/162, 194, D12/400; D23/266, 393, 394; 29/282, 897.2, 897.31, 897.312; 280/402, 415.1, 416, 482, 490.1, 491.1, 491.5, 493, 495, 500, 501, 505, 509, 511

The ornamental design for a pair of elliptical tubes for hitch receiver, as shown and described.

DESCRIPTION

[56] References Cited

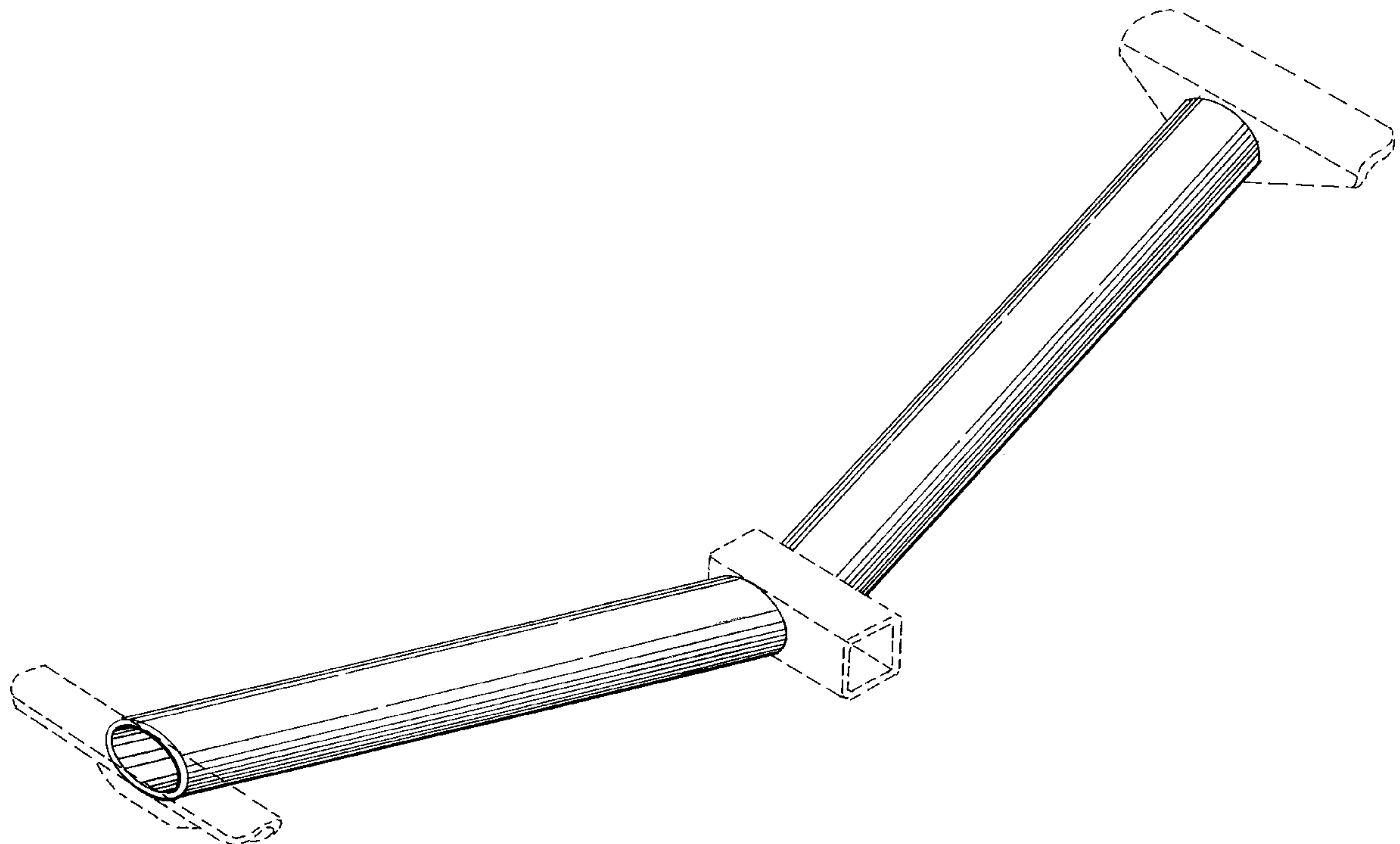
U.S. PATENT DOCUMENTS

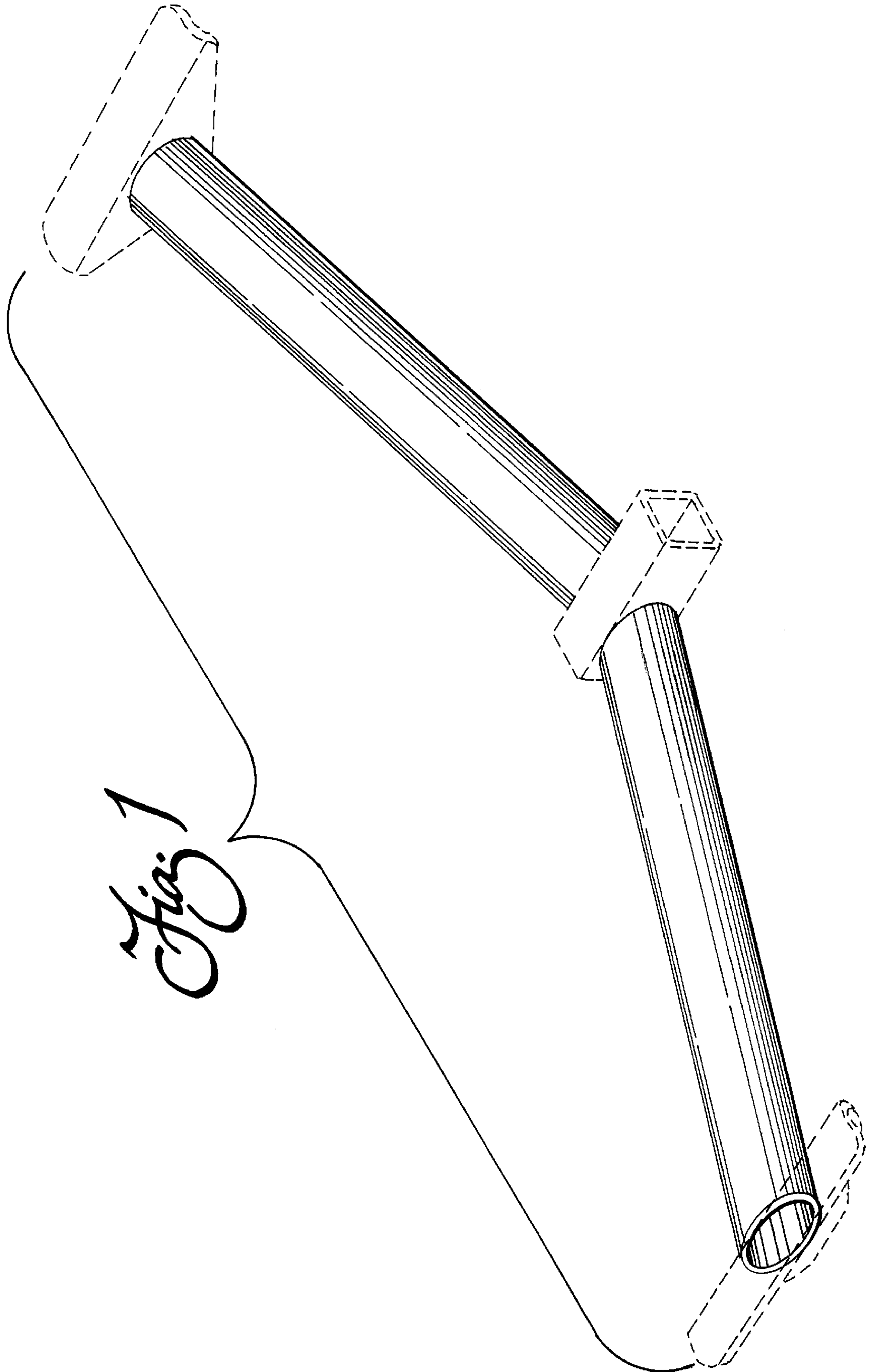
D. 341,117	11/1993	Sundstedt	D12/162
D. 367,632	3/1996	Grieve	D12/162
D. 373,557	9/1996	Shaw et al.	D12/162
D. 379,343	5/1997	Shaw et al.	D12/162
2,968,511	1/1961	Noblette	280/495
3,463,513	8/1969	Burton	280/495
3,964,768	6/1976	Reynolds	280/495

FIG. 1 is a perspective view of the pair of elliptical tubes for hitch receiver of the present invention;
 FIG. 2 is a rear elevational view thereof;
 FIG. 3 is a right side elevational view thereof;
 FIG. 4 is a front elevational view thereof;
 FIG. 5 is a left side elevational view thereof;
 FIG. 6 is a top plan view thereof; and,
 FIG. 7 is a bottom plan view thereof.

The showing of the mounting brackets and receiver box in phantom is for illustrative purposes only, and forms no part of the claimed design.

1 Claim, 3 Drawing Sheets





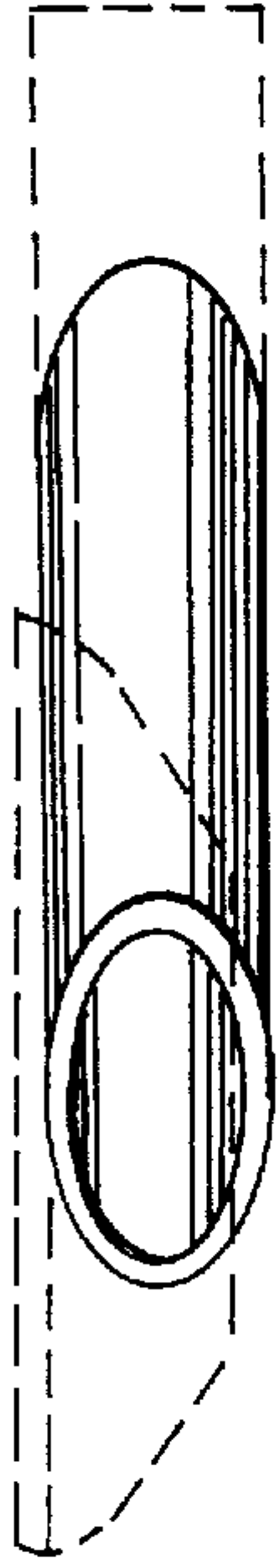


Fig. 1

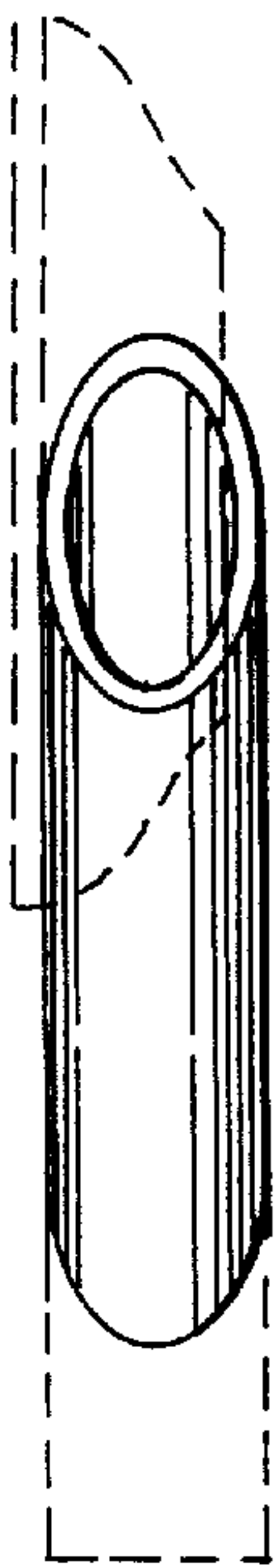


Fig. 2

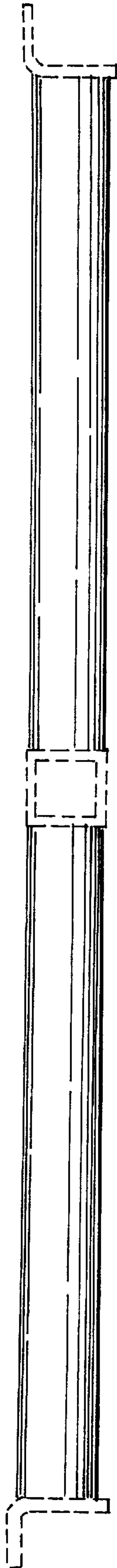


Fig. 3

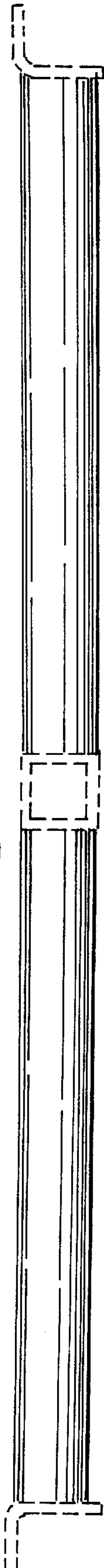


Fig. 4

