



US00D427113S

United States Patent [19]

Luck

[11] Patent Number: Des. 427,113

[45] Date of Patent: ** Jun. 27, 2000

[54] MOTORCYCLE LIGHT BAR

[76] Inventor: **Bill Luck**, 6704 Chealsea Ct., Ft Worth, Tex. 76116

[**] Term: **14 Years**

[21] Appl. No.: **29/101,838**

[22] Filed: **Mar. 11, 1999**

[51] LOC (7) Cl. **12-11**

[52] U.S. Cl. **D12/114**

[58] Field of Search D12/110, 114, D12/223; D10/114; D26/28, 138, 155; 362/473; 180/219; 280/288.4

[56] **References Cited**

U.S. PATENT DOCUMENTS

- D. 317,428 6/1991 Carr D12/114
- D. 343,152 1/1994 McCool D12/114 X
- D. 383,860 9/1997 Preisler D12/114

Primary Examiner—Alan P. Douglas
Assistant Examiner—Linda Brooks
Attorney, Agent, or Firm—Felsman, Bradley, Vaden, Gunter & Dillon, LLP

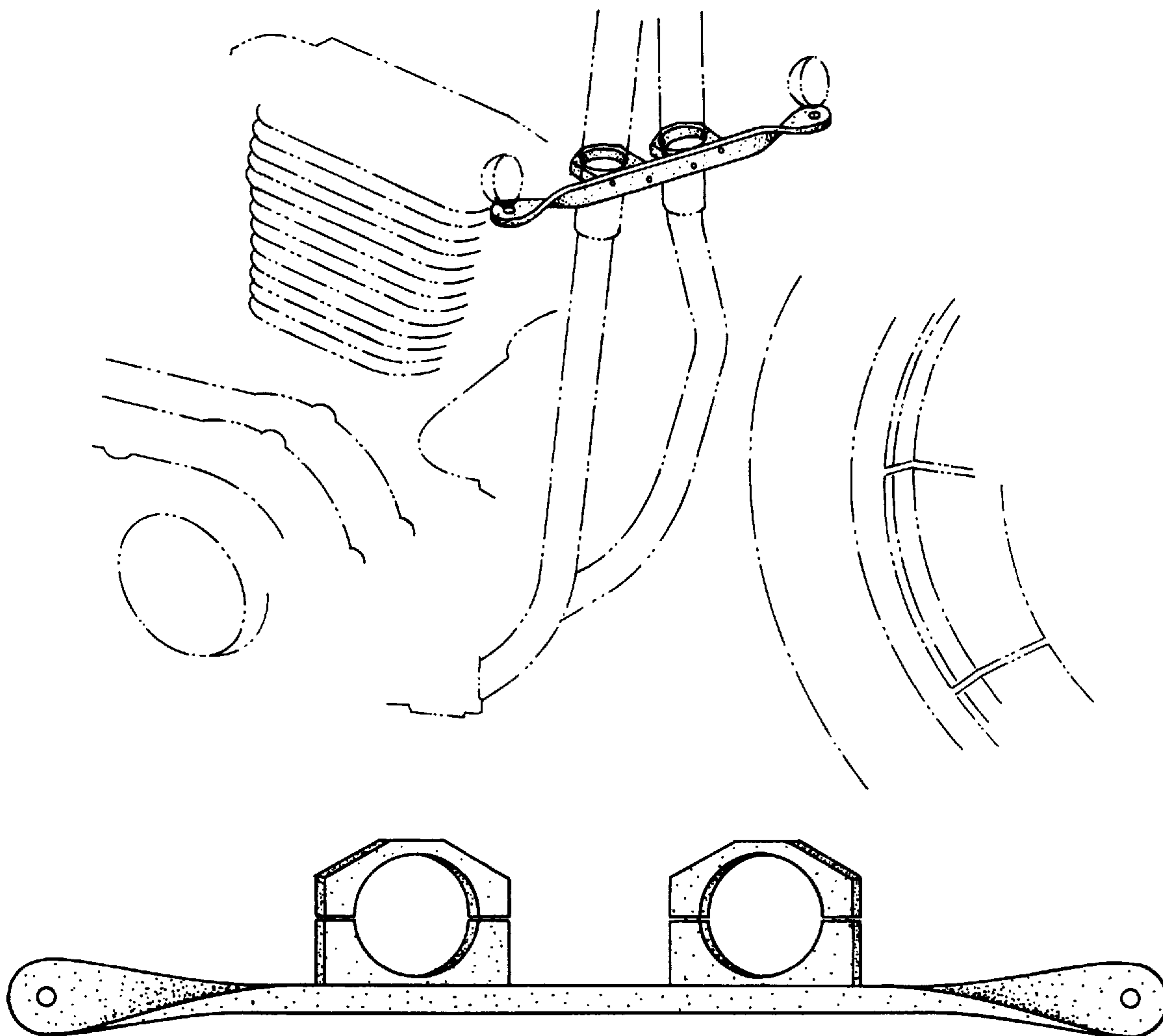
[57] **CLAIM**

The ornamental design for a motorcycle light bar, as shown and described.

DESCRIPTION

FIG. 1 is a perspective view of the motorcycle light bar, in position of use on a motorcycle, which is partially shown in broken lines for purposes of illustration only and forms no part of the claimed design;
FIG. 2 is an enlarged side view of FIG. 1, the opposite side being a mirror image;
FIG. 3 is a front view of FIG. 2;
FIG. 4 is a top view of FIG. 2;
FIG. 5 is a back view of FIG. 2; and,
FIG. 6 is a bottom view of FIG. 2.

1 Claim, 2 Drawing Sheets



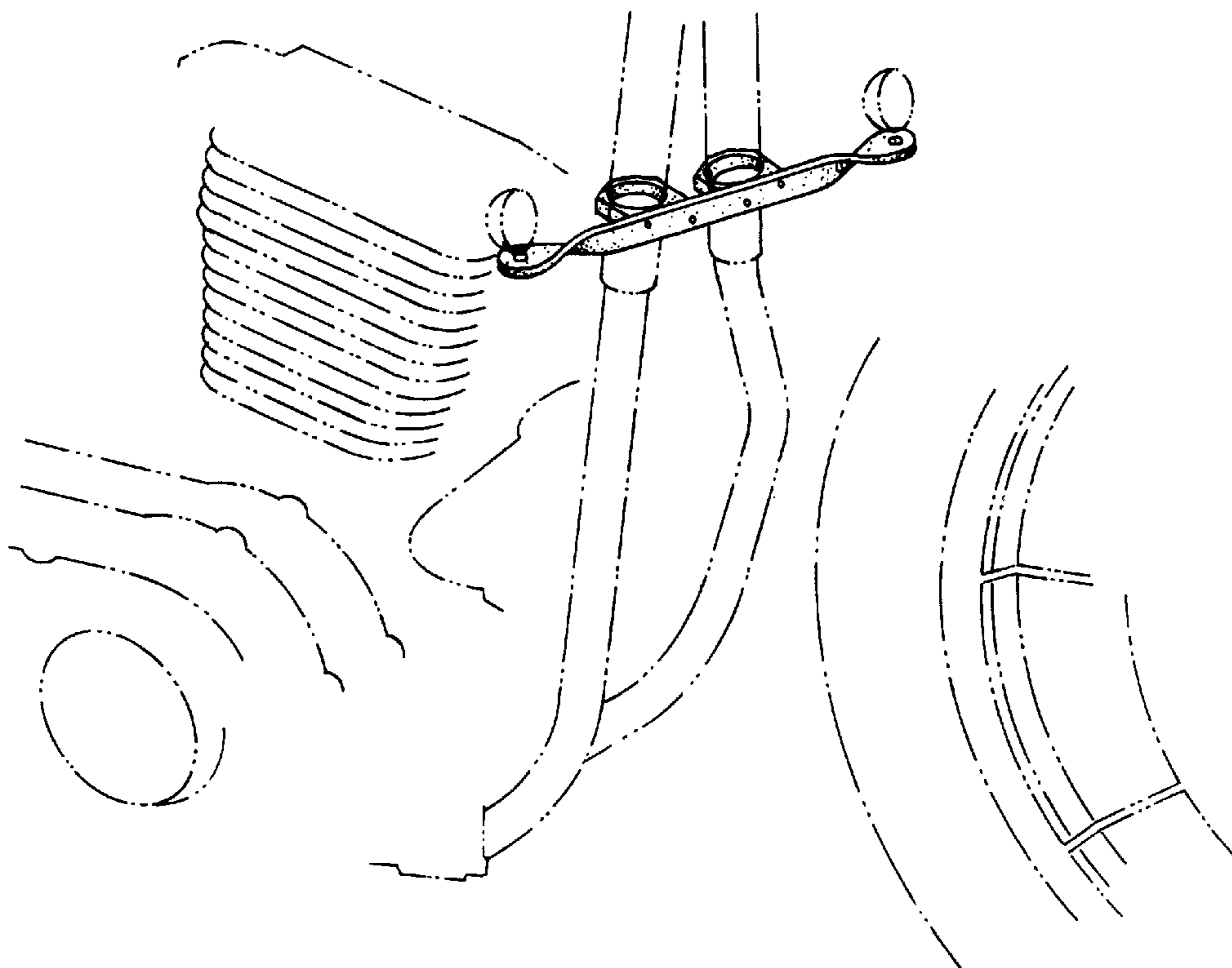


Fig. 1



Fig. 2



Fig. 3

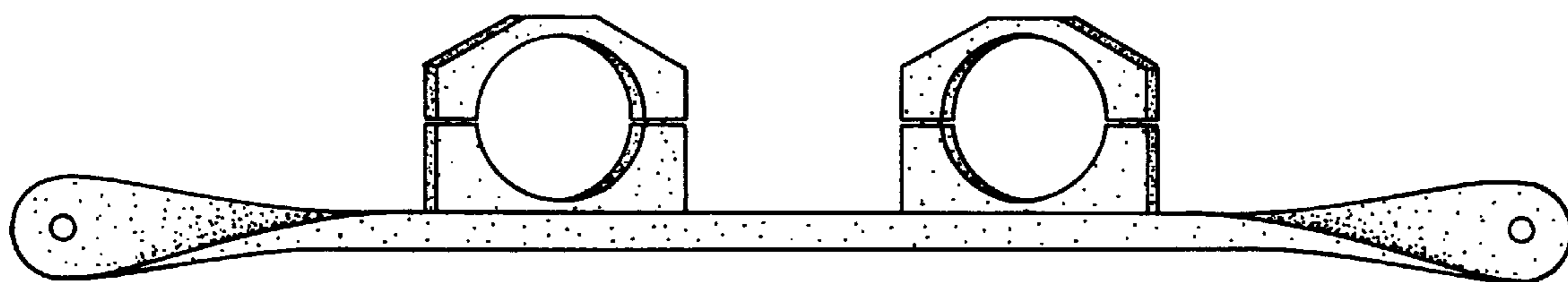


Fig. 4

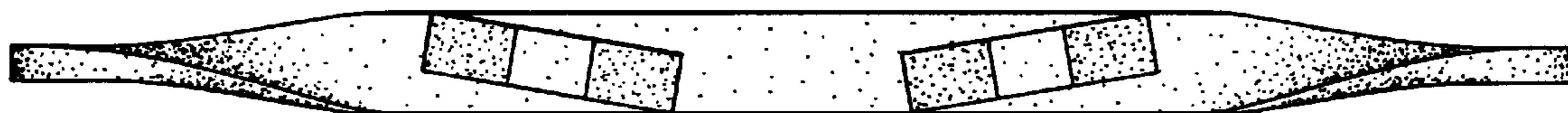


Fig. 5

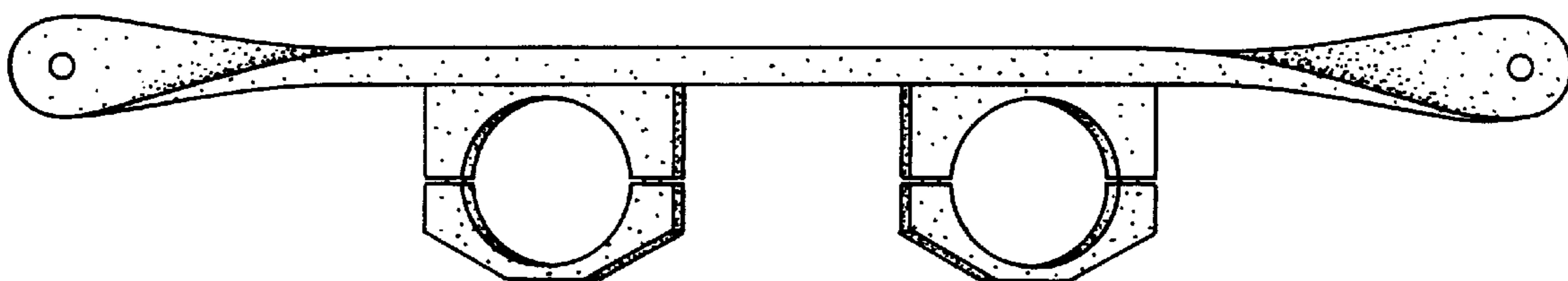


Fig. 6