



US00D427112S

United States Patent [19] Chaudeurge

[11] **Patent Number: Des. 427,112**

[45] **Date of Patent: ** Jun. 27, 2000**

[54] **TRICYCLE**

[75] Inventor: **Jean Michel Chaudeurge**, Tourves, France

[73] Assignee: **Etablissemments Maurice Charton**, France

[**] Term: **14 Years**

[21] Appl. No.: **29/108,181**

[22] Filed: **Jul. 22, 1999**

[30] **Foreign Application Priority Data**

Jan. 22, 1999 [XH] Hague Agreement DM/046416

[51] **LOC (7) Cl.** **12-11**

[52] **U.S. Cl.** **D12/112**

[58] **Field of Search** D12/112, 113, D12/131, 133; 280/202, 207, 282

[56] **References Cited**

U.S. PATENT DOCUMENTS

D. 355,870	2/1995	Dreudonne	D12/112
D. 405,031	2/1999	Li	D12/112
D. 408,768	4/1999	Baechler et al.	D12/133
D. 411,971	7/1999	McMahon et al.	D12/112

Primary Examiner—Melody N. Brown
Attorney, Agent, or Firm—Wall Marjama Bilinski & Burr

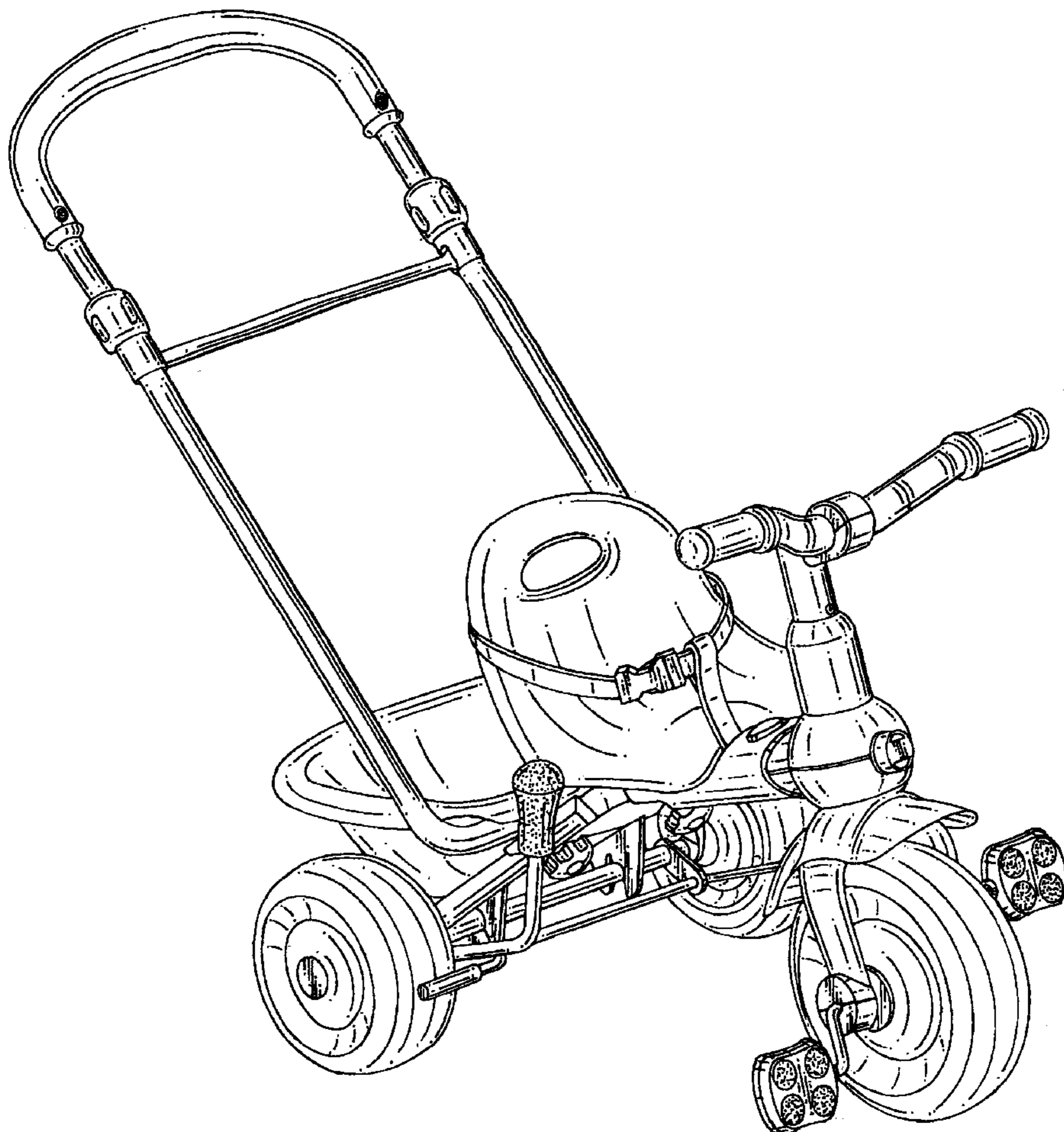
[57] **CLAIM**

The ornamental design for a tricycle, as shown and described.

DESCRIPTION

FIG. 1 is a front perspective view of a tricycle, illustrating a first embodiment of my new design;
 FIG. 2 is a right side elevation view thereof;
 FIG. 3 is a left side elevation view thereof;
 FIG. 4 is a front view thereof;
 FIG. 5 is a rear view thereof;
 FIG. 6 is a top view thereof; the bottom view of the tricycle is plain and unornamental;
 FIG. 7 is a front perspective view of a second embodiment of the tricycle which further includes a utility pack mounted upon the handle bars thereof;
 FIG. 8 is a right side elevation of said second embodiment;
 FIG. 9 is a left side elevation of said second embodiment;
 FIG. 10 is a front view of said second embodiment;
 FIG. 11 is a rear view of said second embodiment; and,
 FIG. 12 is a top view of said second embodiment; the bottom view of the second embodiment of the tricycle is plain and unornamental.

1 Claim, 12 Drawing Sheets



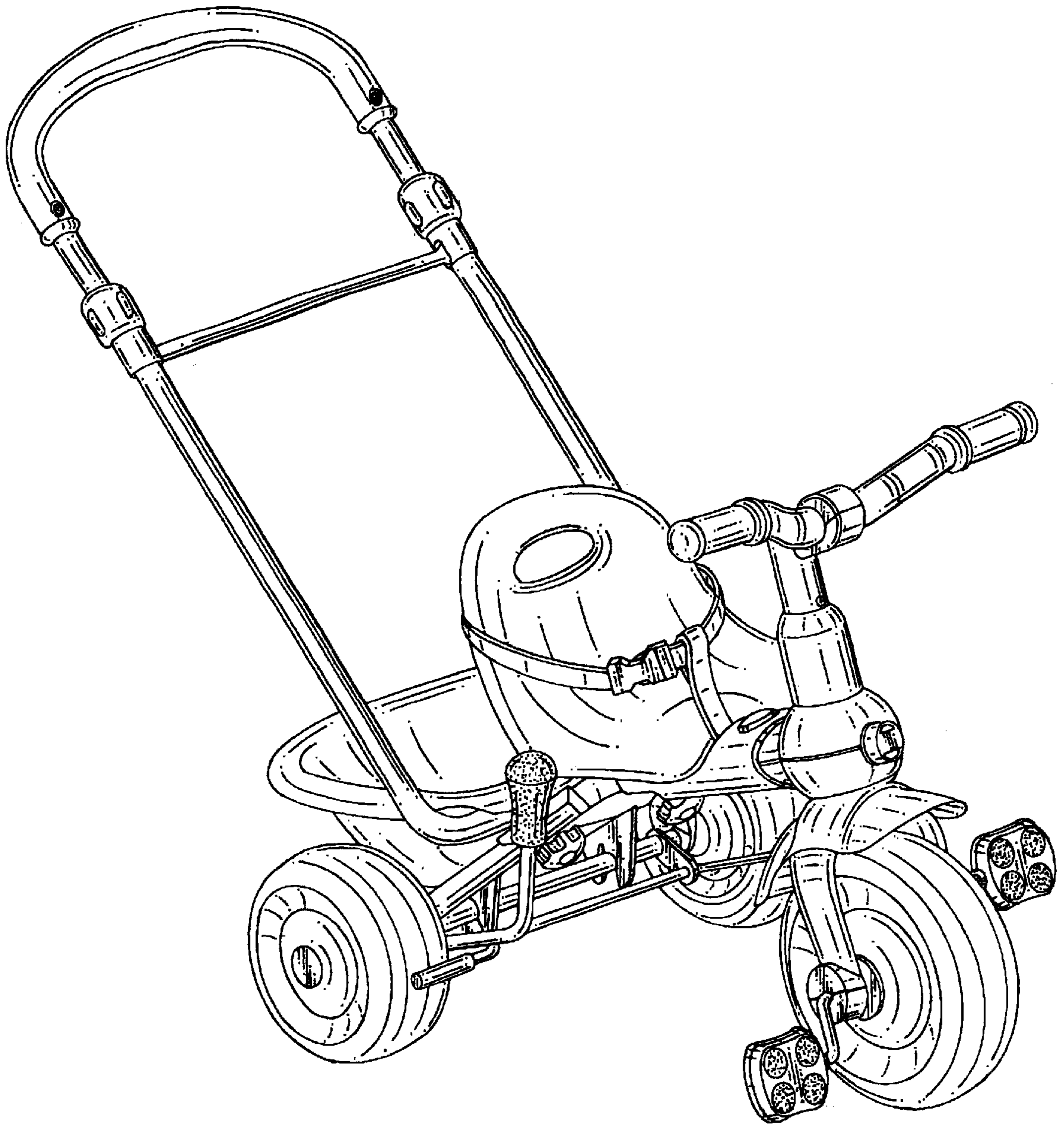


FIG. 1

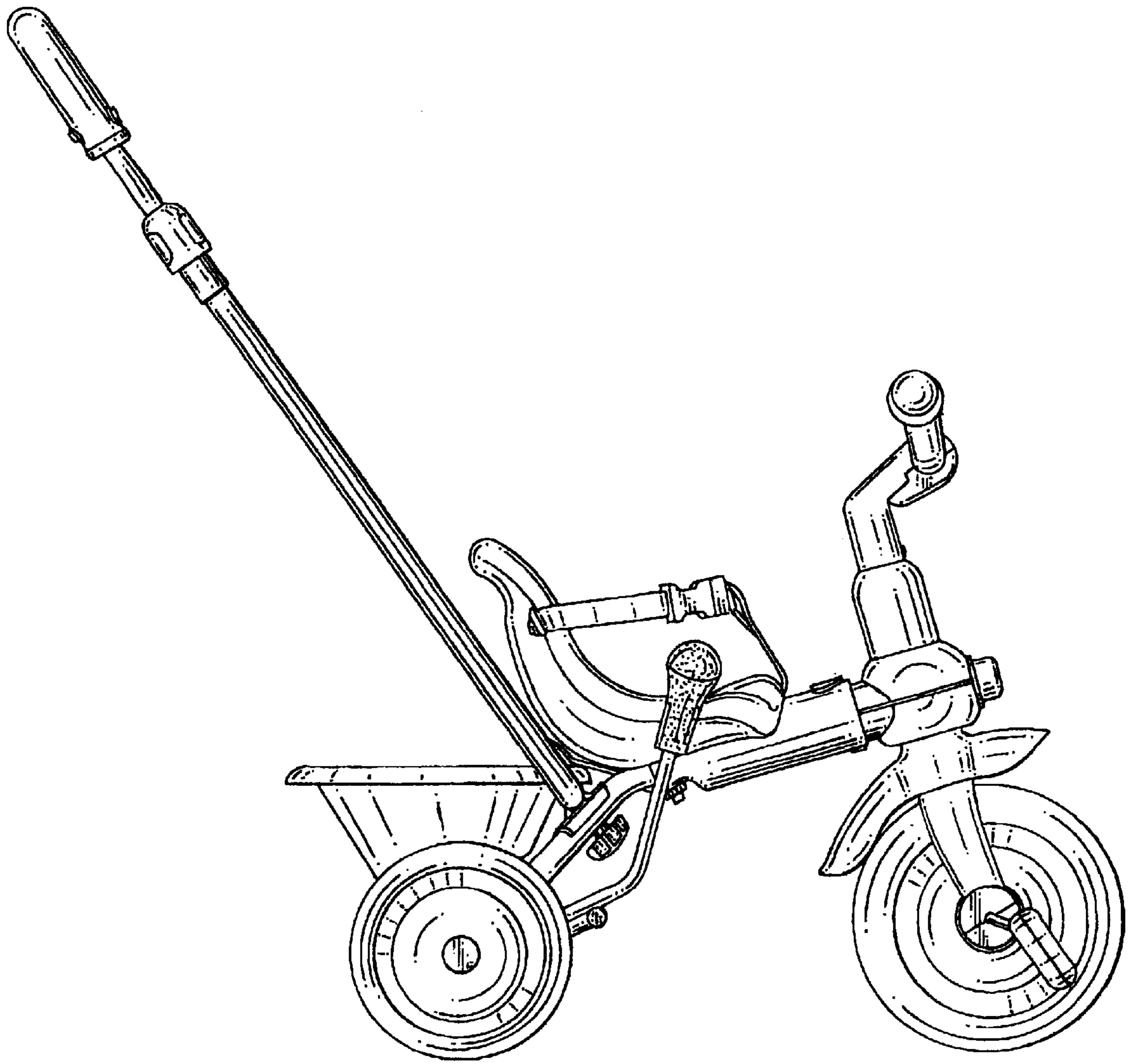


FIG. 2

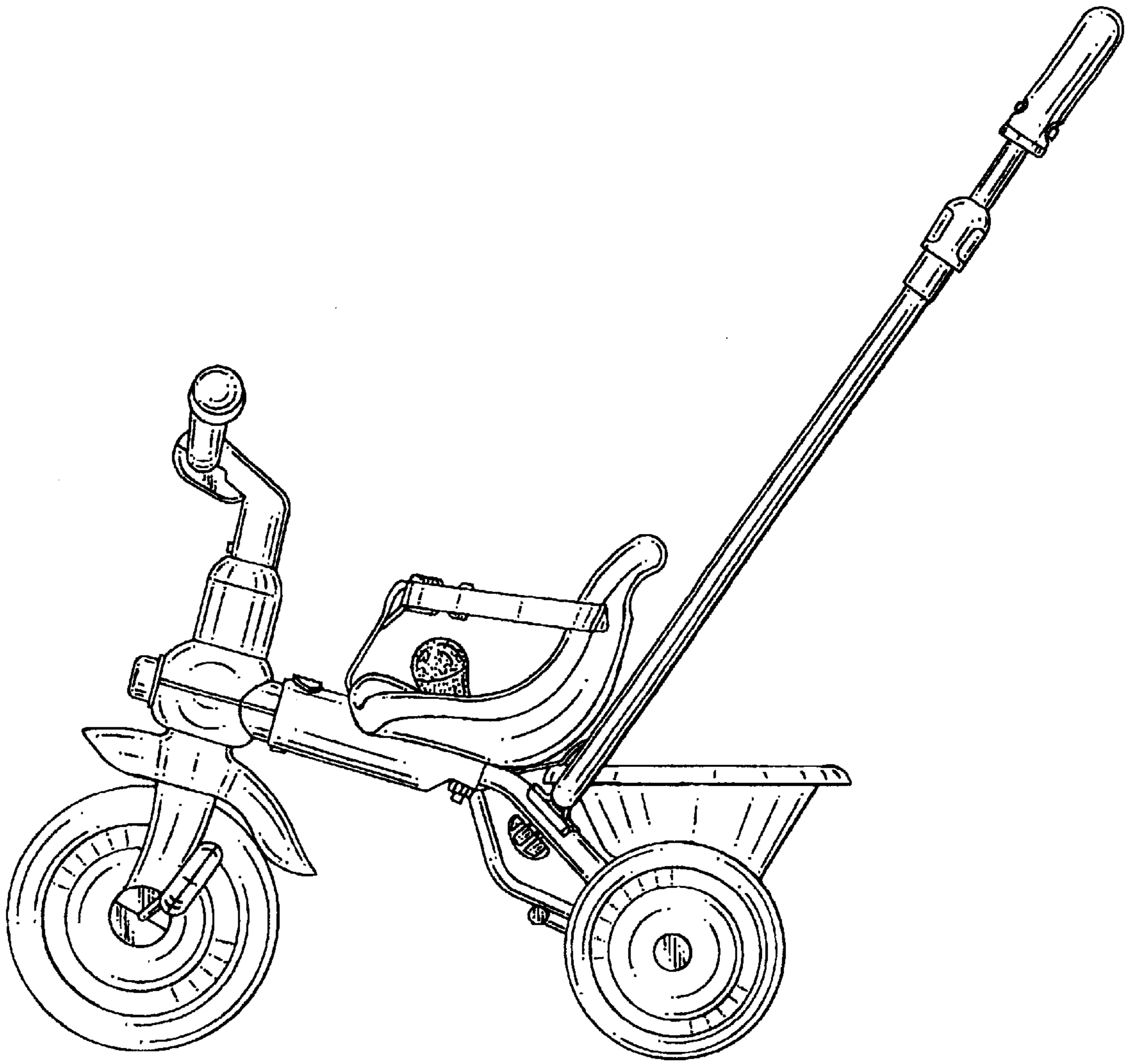


FIG. 3

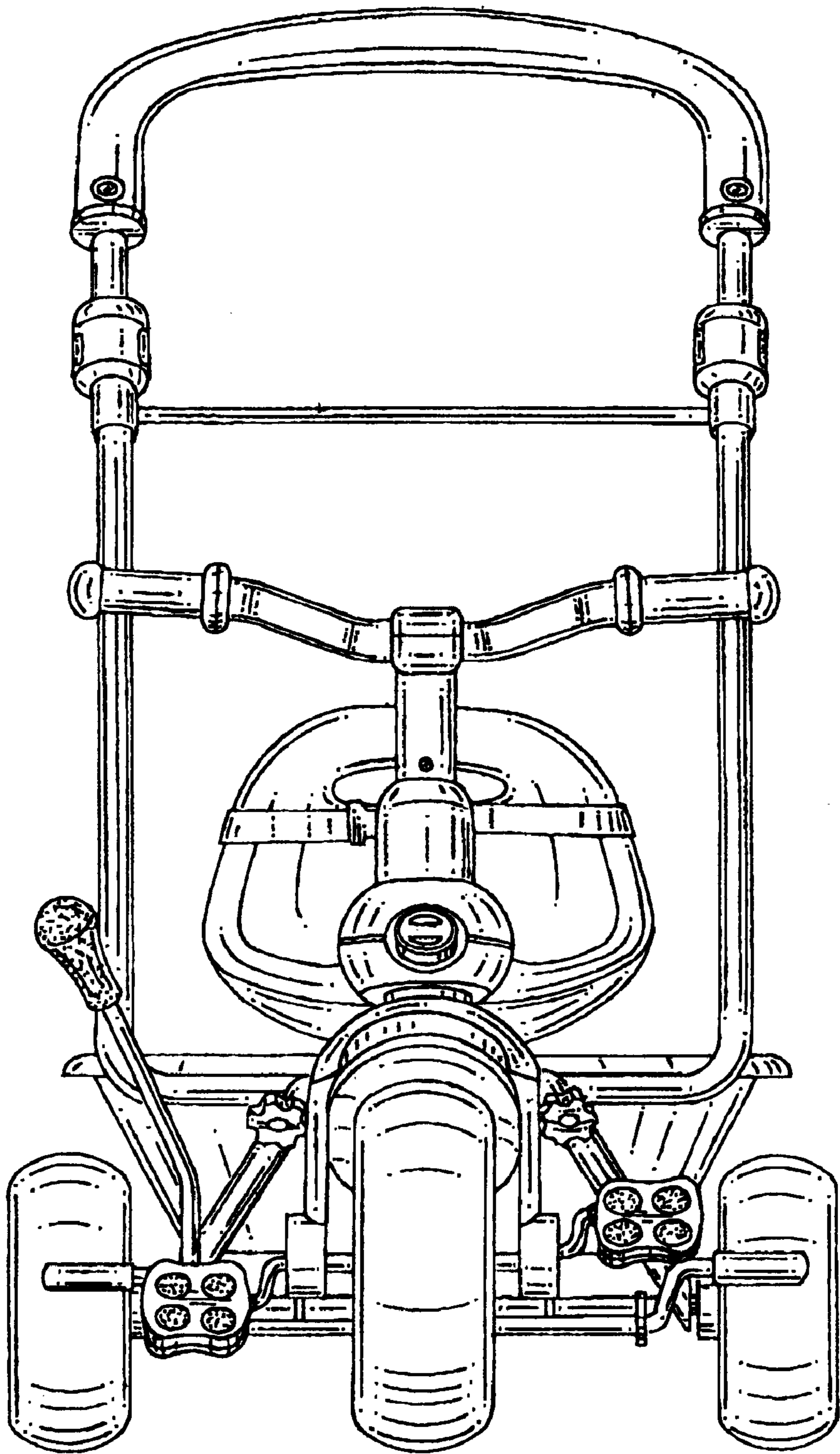


FIG. 4

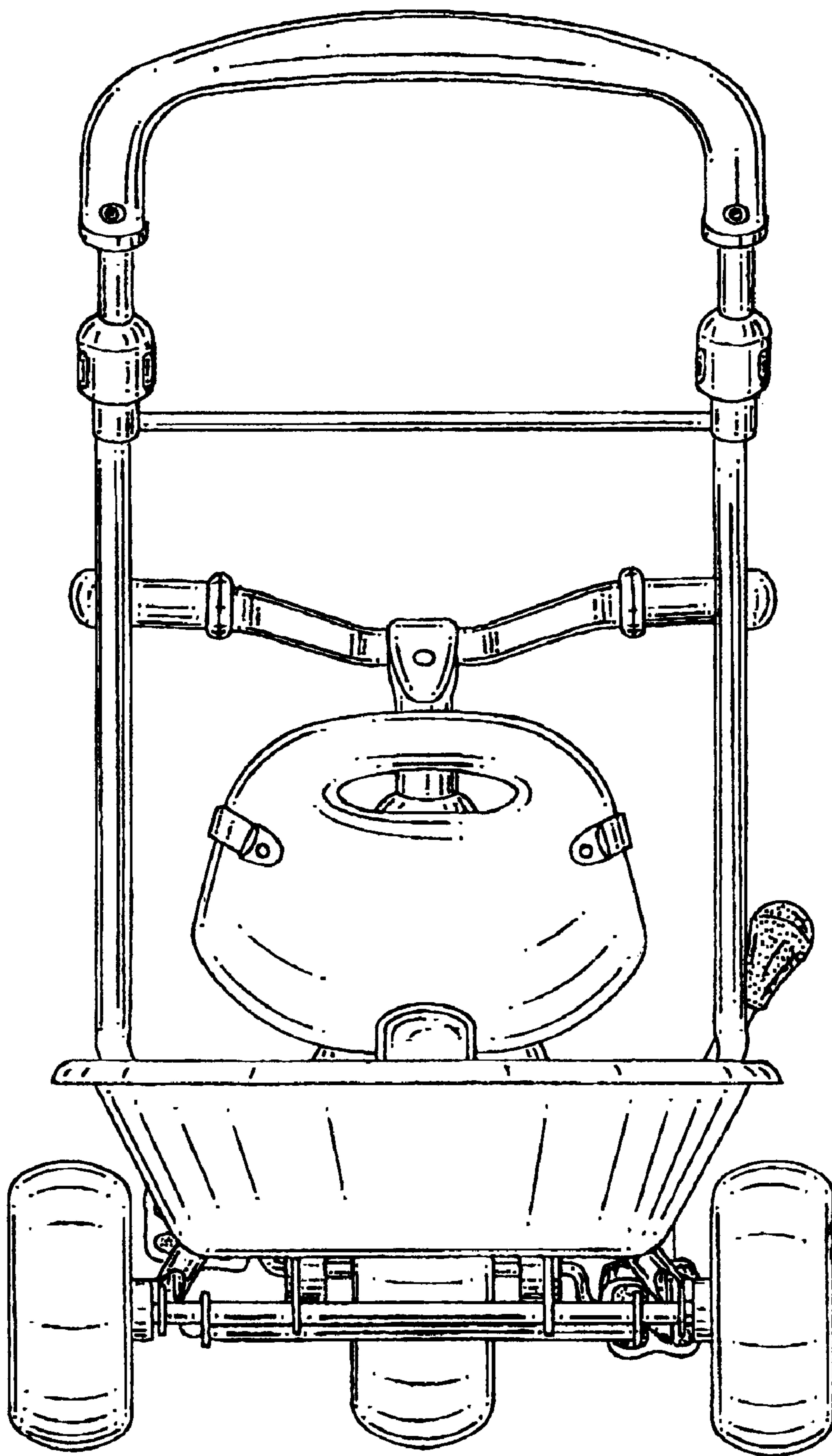


FIG. 5

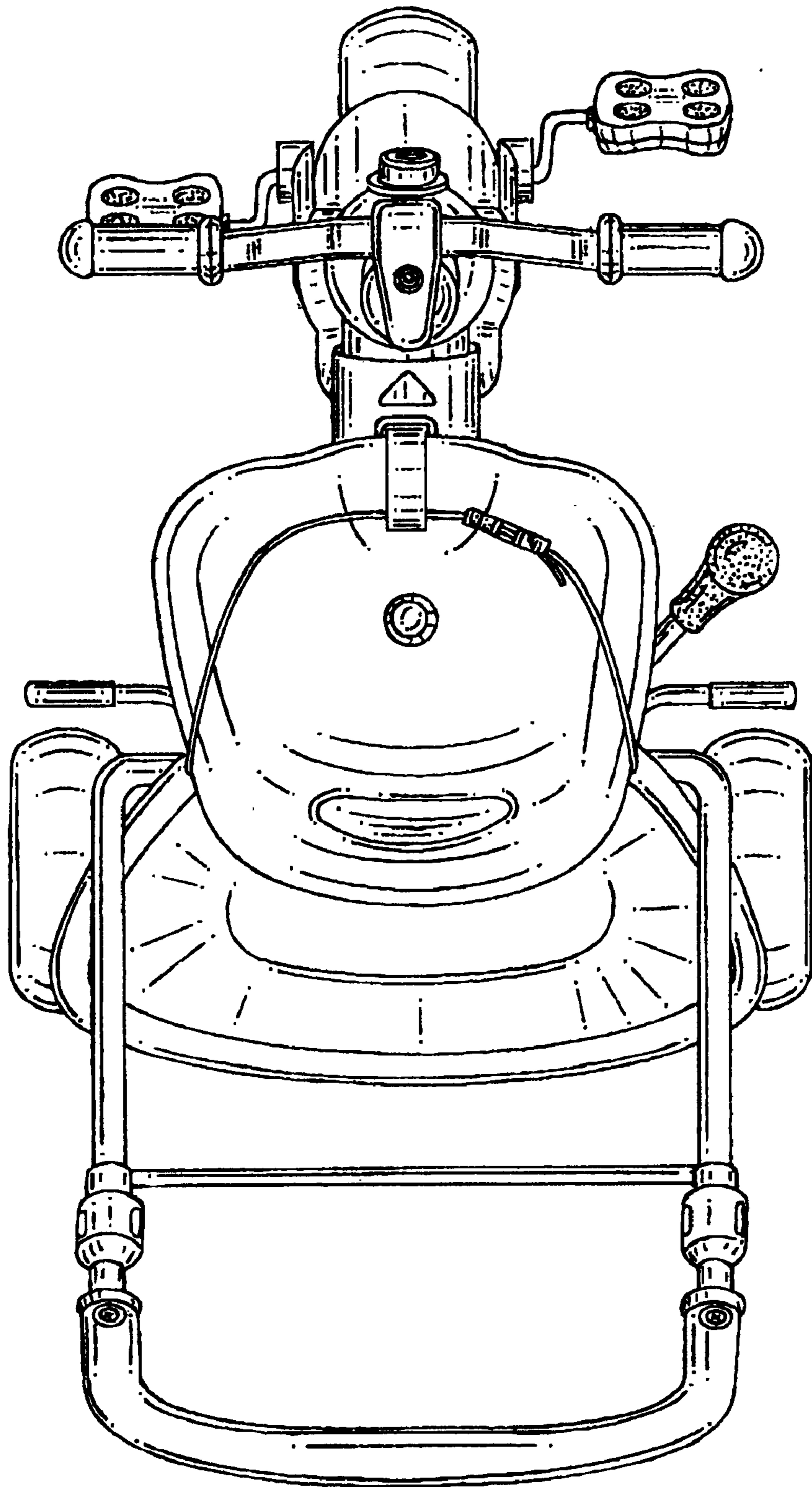


FIG. 6

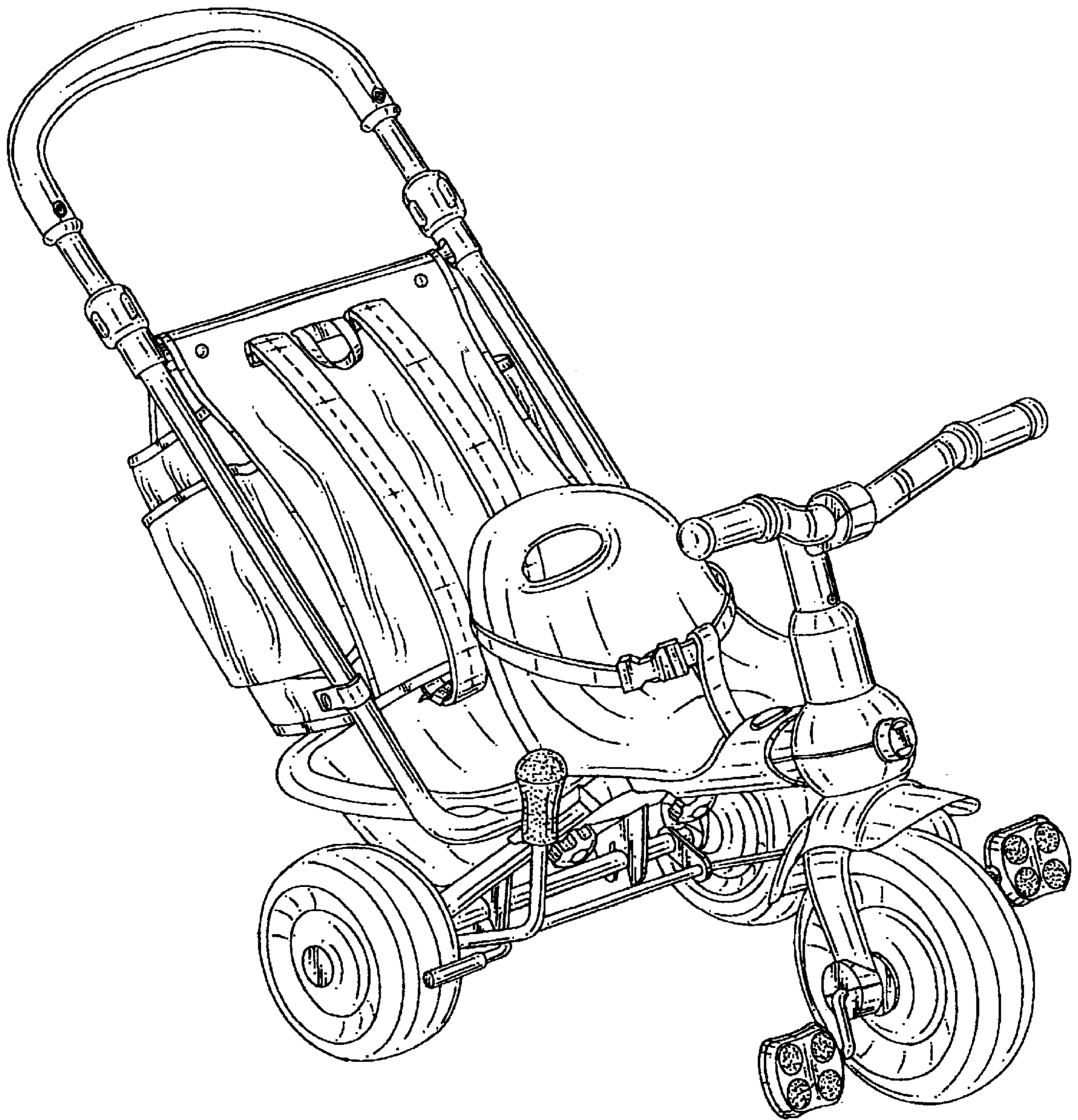


FIG. 7

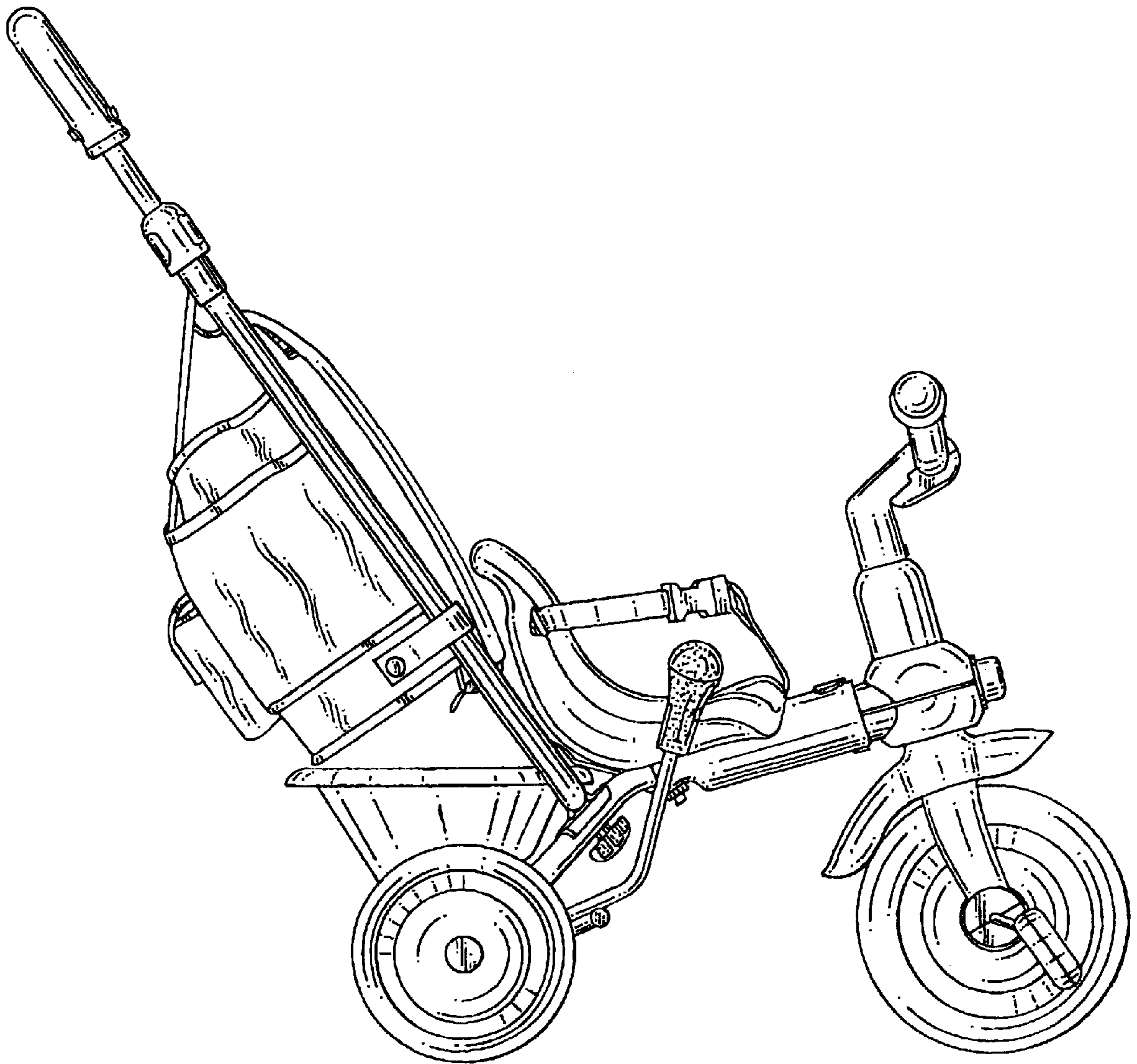


FIG. 8

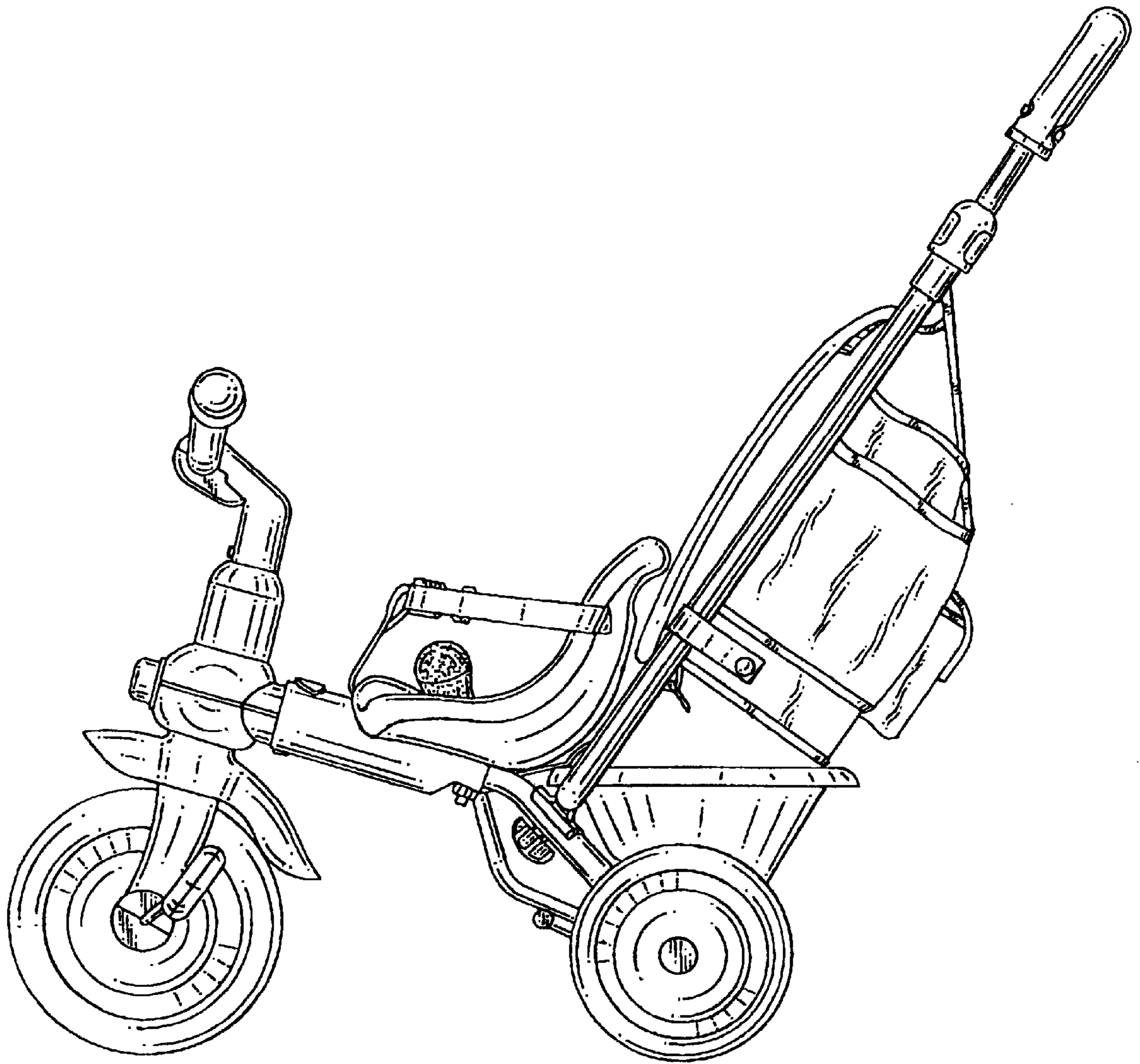


FIG. 9

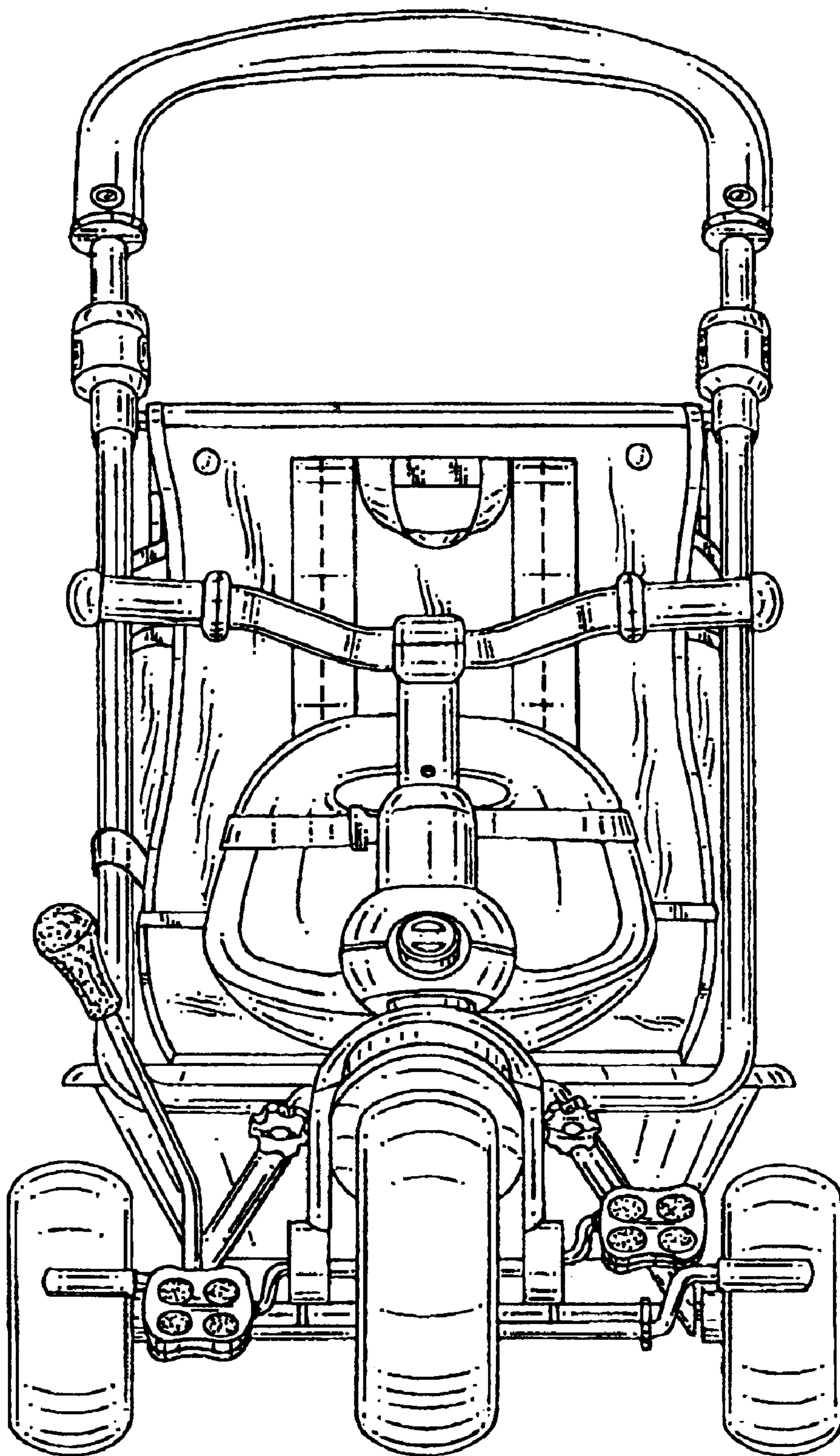


FIG. 10

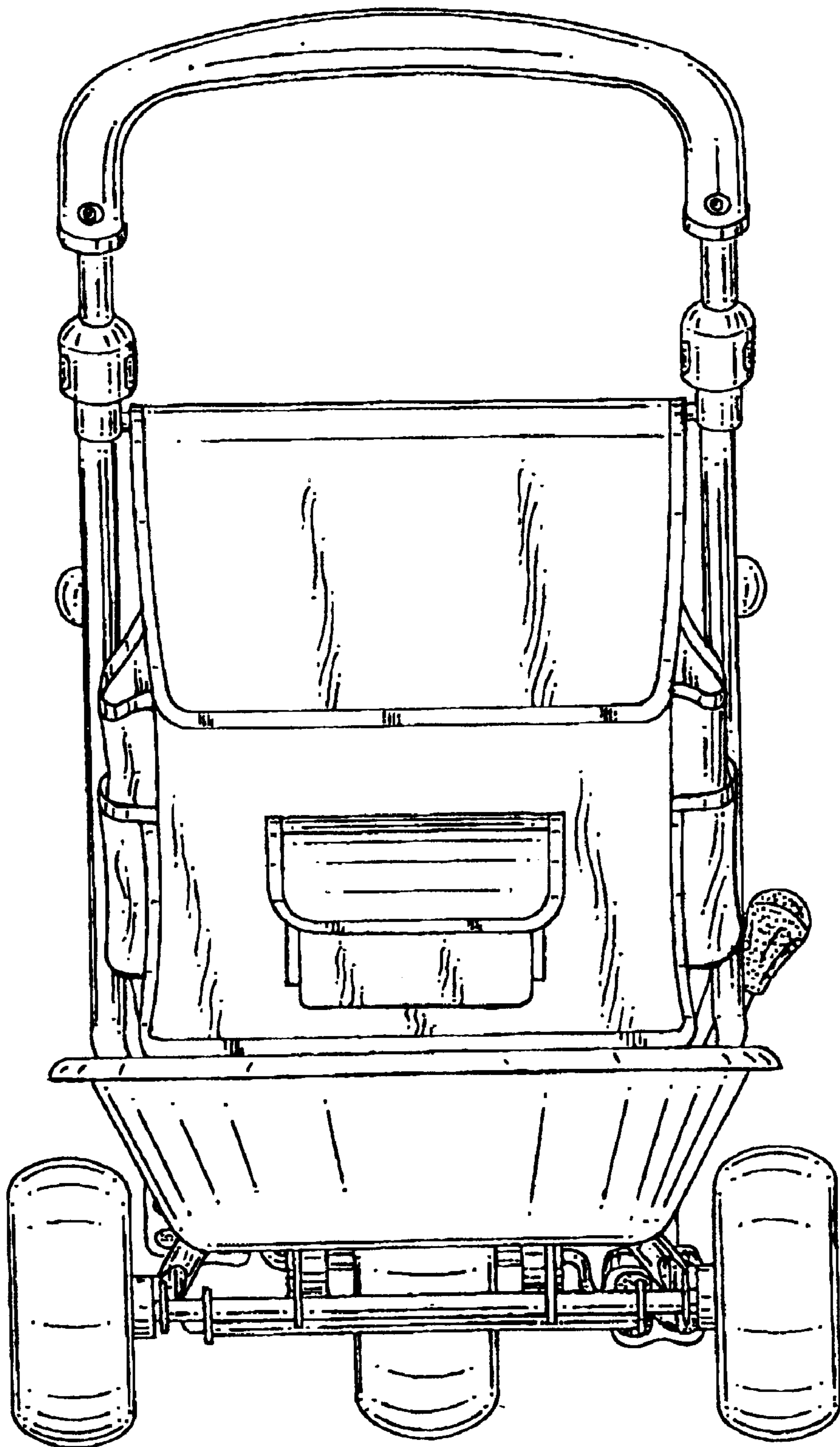


FIG. 11

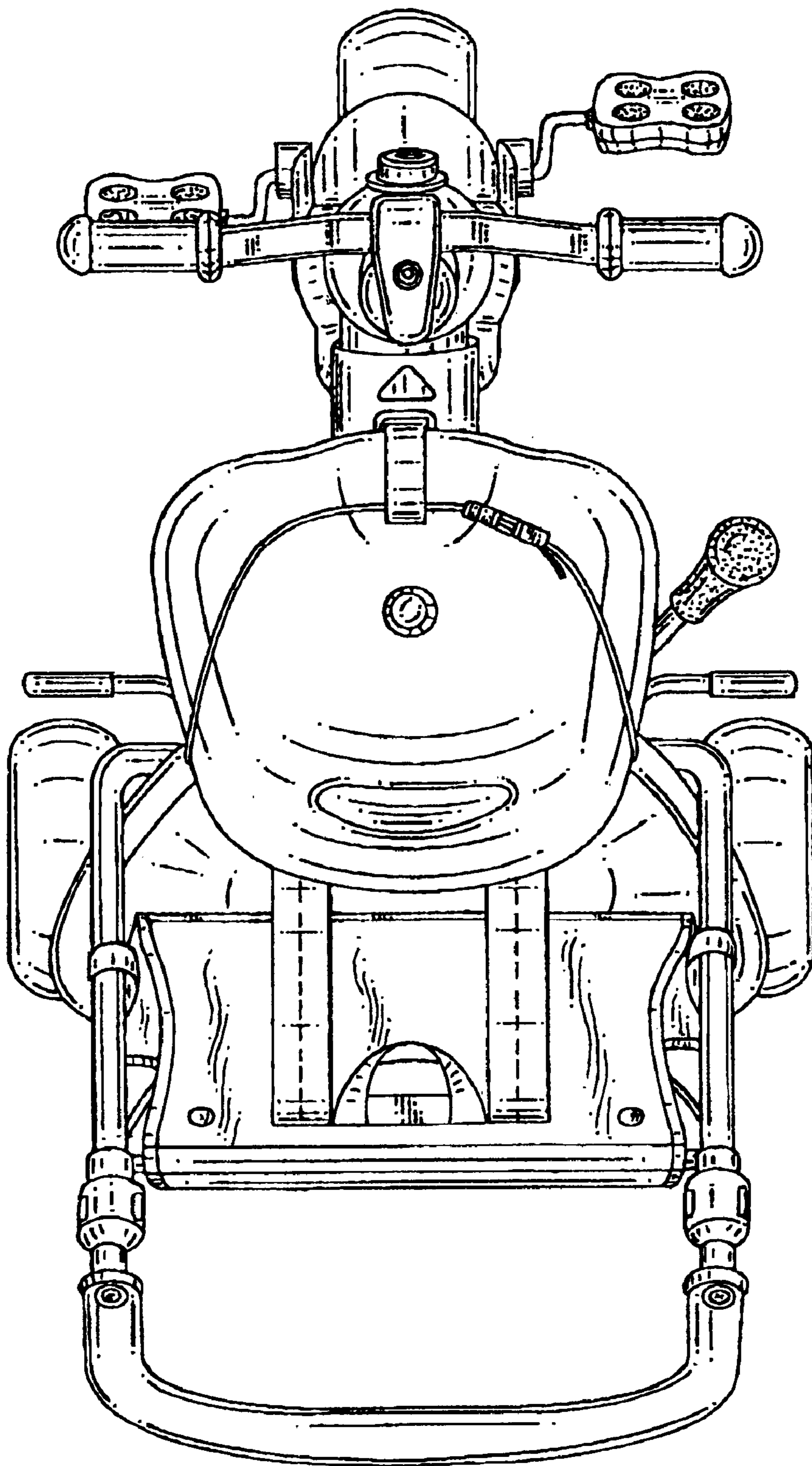


FIG. 12