



US00D427110S

United States Patent [19]

Saito et al.

[11] Patent Number: **Des. 427,110**

[45] Date of Patent: **** Jun. 27, 2000**

[54] **FOUR WHEELED VEHICLE BODY**

[75] Inventors: **Kazuhiko Saito; Kazuhiko Yokoyaya,**
both of Saitama, Japan

[73] Assignee: **Honda Giken Kogyo Kabushiki**
Kaisha, Tokyo, Japan

[**] Term: **14 Years**

[21] Appl. No.: **29/110,206**

[22] Filed: **Sep. 2, 1999**

[51] **LOC (7) Cl.** **12-11**

[52] **U.S. Cl.** **D12/107**

[58] **Field of Search** D12/107, 3; 150/233,
150/311, 315, 312, 225, 229

[56] **References Cited**

U.S. PATENT DOCUMENTS

- D. 298,811 12/1988 Morito D12/107
- D. 327,457 6/1992 Saito D12/107

- D. 330,694 11/1992 Kimura et al. D12/107
- D. 383,095 9/1997 Miyamoto et al. D12/107
- D. 405,029 2/1999 Deutochman D12/107

Primary Examiner—Melody N. Brown
Attorney, Agent, or Firm—Birch, Stewart, Kolasch & Birch,
LLP

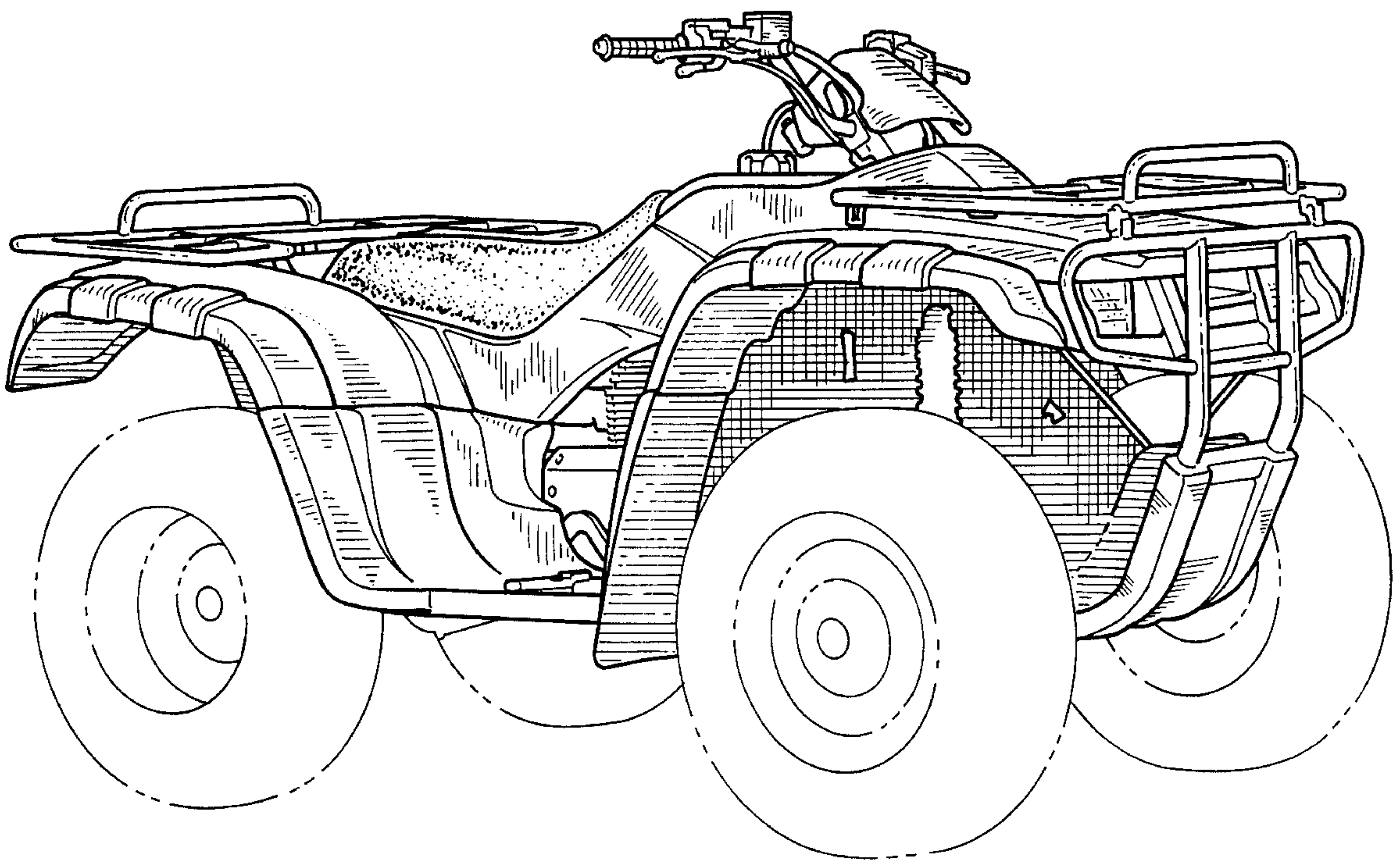
[57] **CLAIM**

The ornamental design for a four wheeled vehicle body, as shown and described.

DESCRIPTION

FIG. 1 is a front right perspective view of a four wheeled vehicle body showing our new design; FIG. 2 is a left side elevational view thereof; FIG. 3 is a right side elevational view thereof; FIG. 4 is a front elevational view thereof; FIG. 5 is a rear elevational view thereof; and, FIG. 6 is a top plan view thereof.

1 Claim, 6 Drawing Sheets



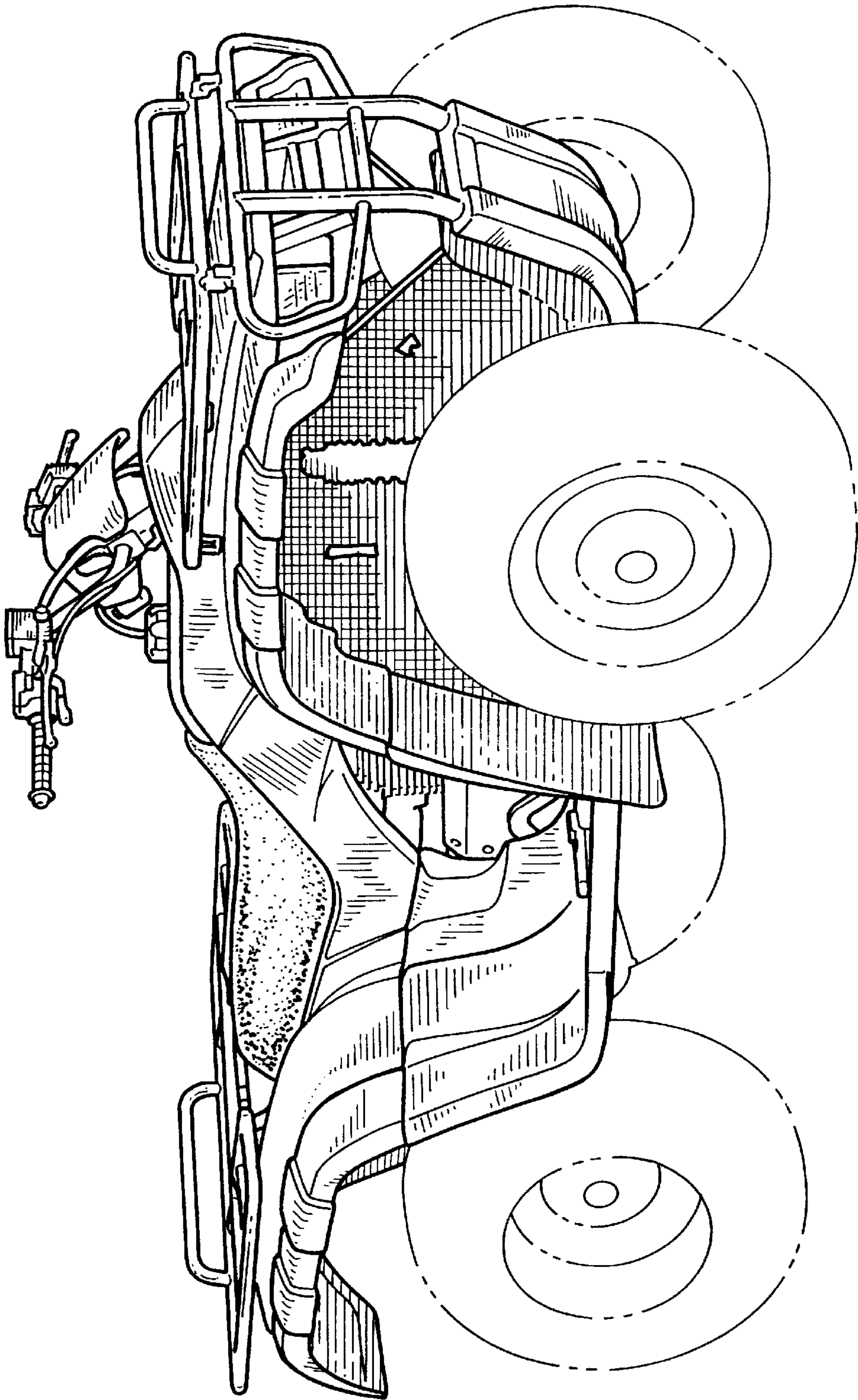


Fig. 1

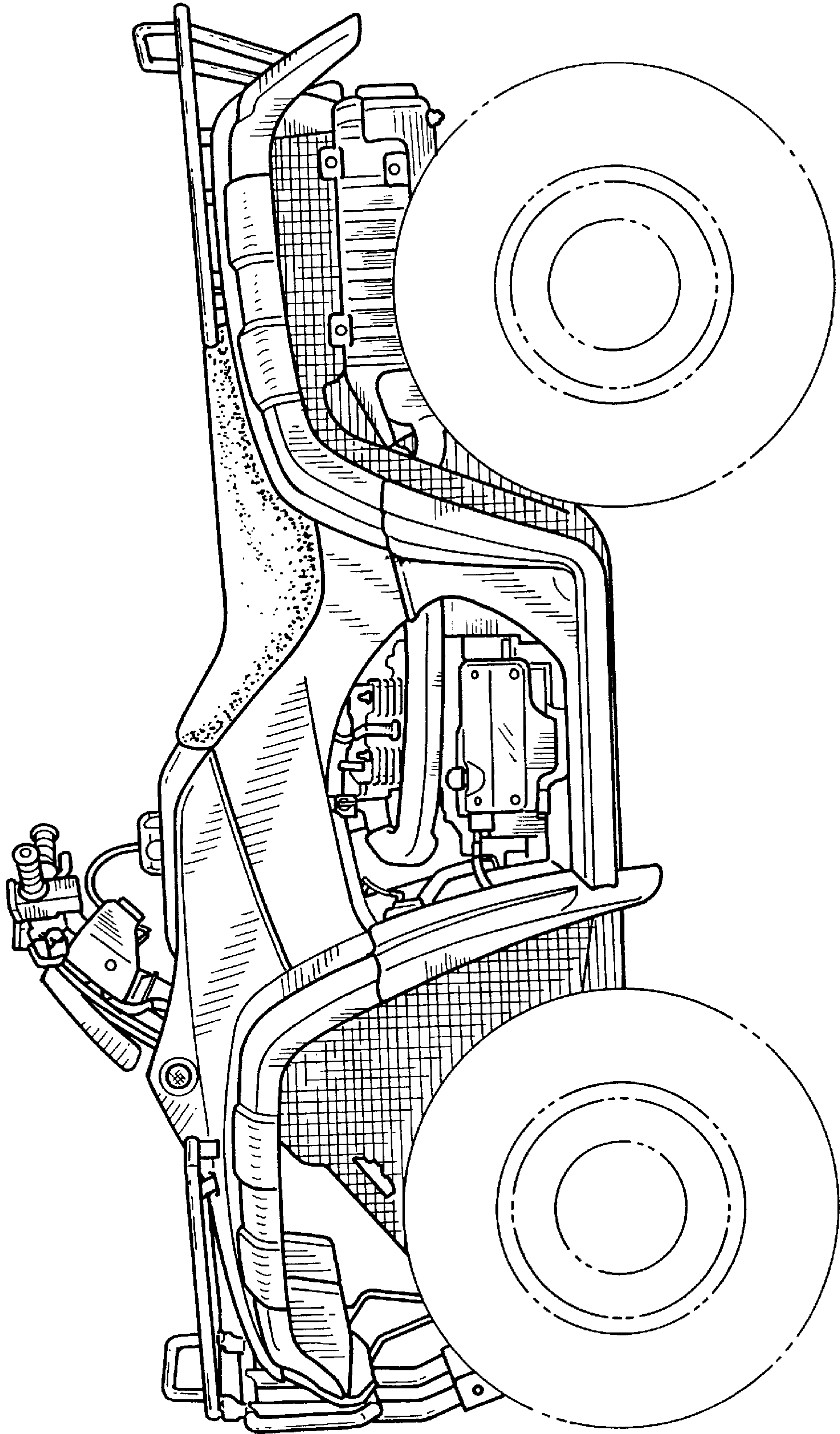


Fig. 2

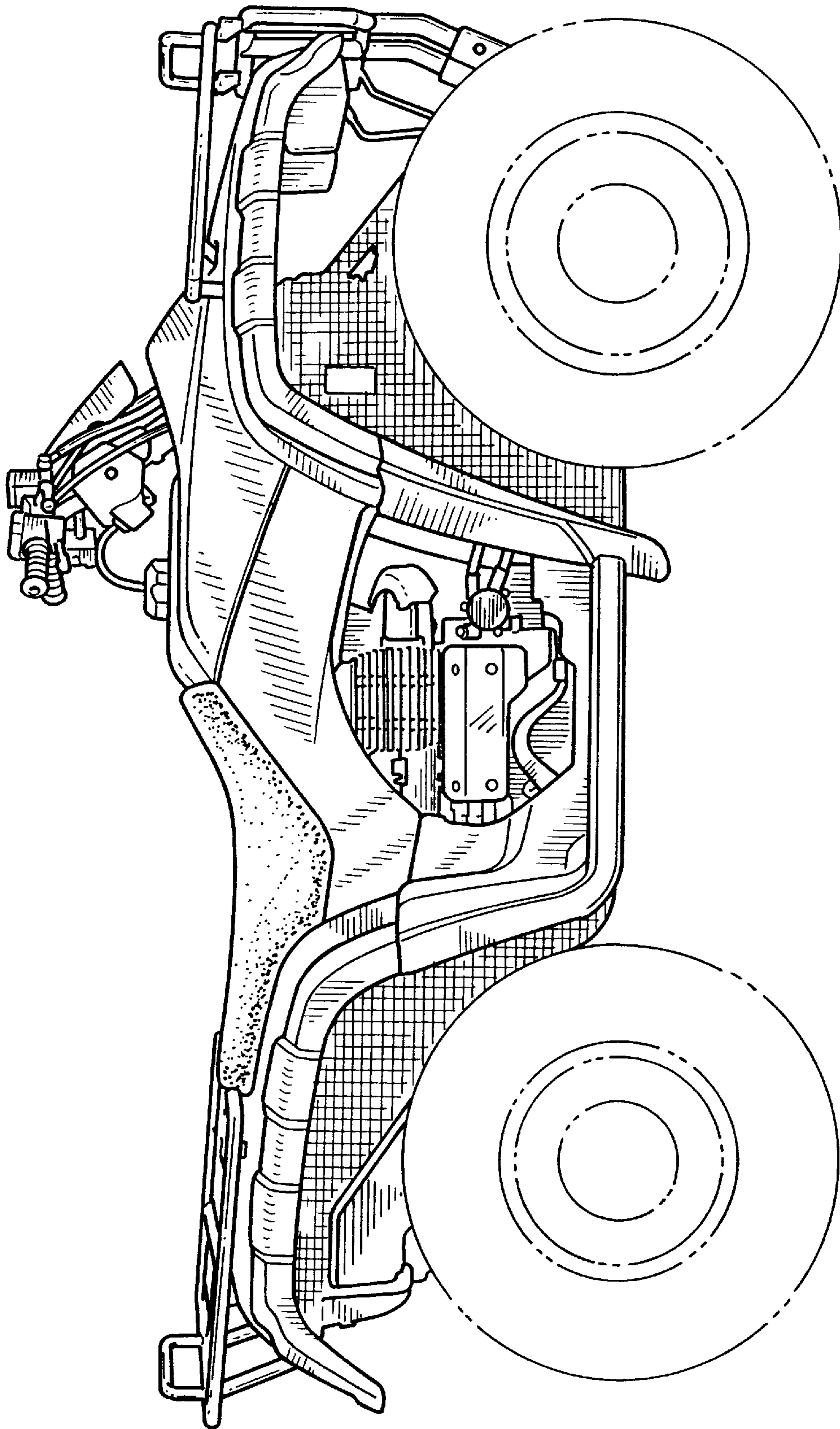


Fig. 3

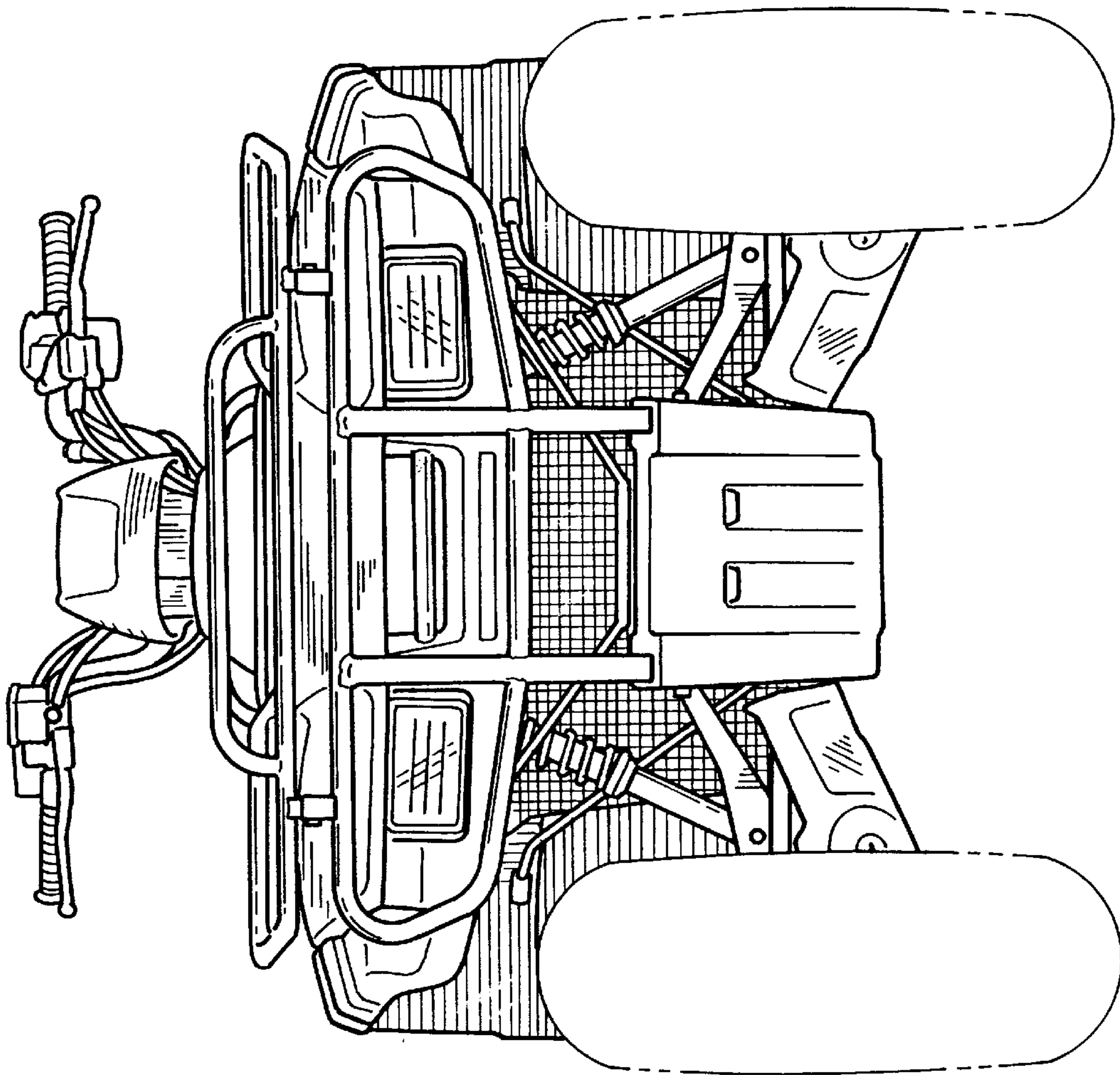


Fig. 4

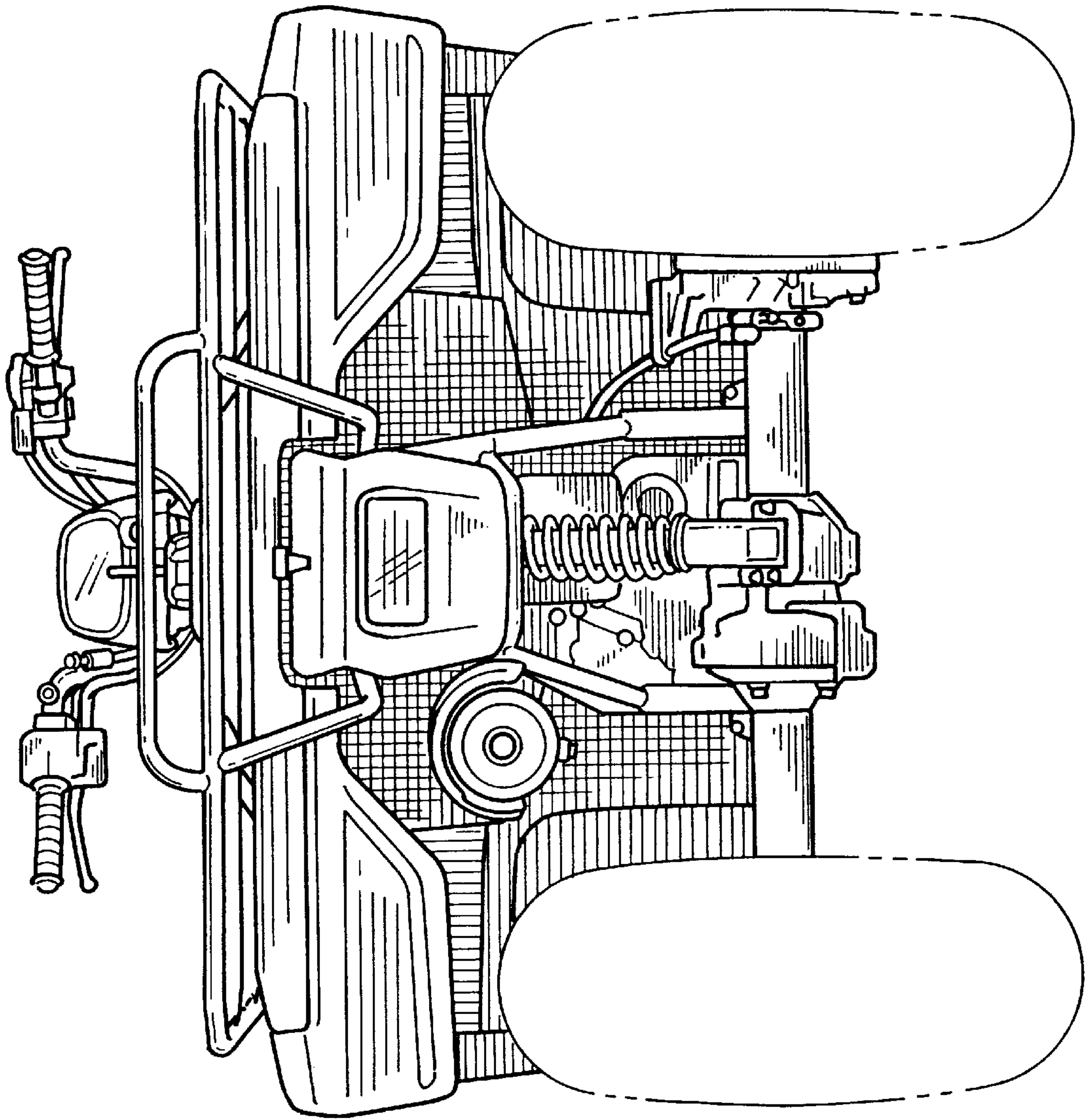


Fig. 5

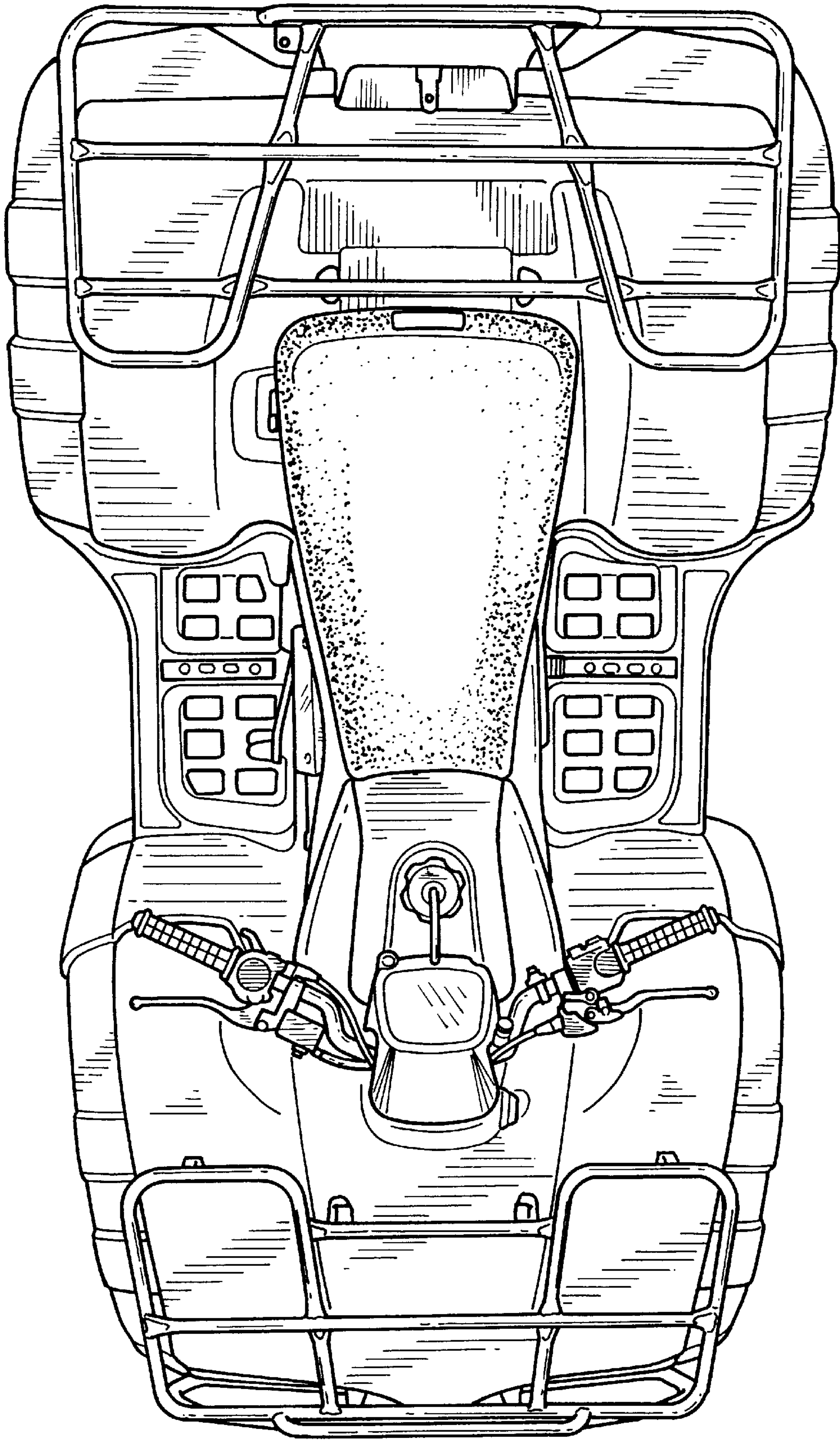


Fig. 6