



US00D427108S

United States Patent [19]

[11] **Patent Number: Des. 427,108**

Fisher et al.

[45] **Date of Patent: ** Jun. 27, 2000**

[54] **FLAG HOLDER FOR VEHICLES**
[76] Inventors: **Kevin B. Fisher**, 353 E. Ocampo La.,
Elkridge, Utah 84651; **Preston K. Fisher**, 26 N. 1600 West, Apt. 1, Provo,
Utah 84601

3,421,473 1/1969 Weichenreider 340/321
4,574,726 3/1986 Sullivan 116/28 R
4,934,972 6/1990 Shumway et al. 116/173
5,042,418 8/1991 Hoover et al. 116/173
5,388,546 2/1995 Lombard 116/173 X

[**] Term: **14 Years**

Primary Examiner—M. N. Pandozzi
Attorney, Agent, or Firm—Angus C. Fox, III

[21] Appl. No.: **29/106,249**

[57] **CLAIM**

[22] Filed: **Jun. 14, 1999**

The ornamental design for a flag holder for vehicles, as shown and described.

[51] **LOC (7) Cl.** **11-05**

DESCRIPTION

[52] **U.S. Cl.** **D11/182; D11/181**

[58] **Field of Search** D11/165, 166,
D11/148, 181, 182; D12/114, 106, 172,
223; D8/382, 395; 116/28 R, 63 R, 173;
340/539; 248/539

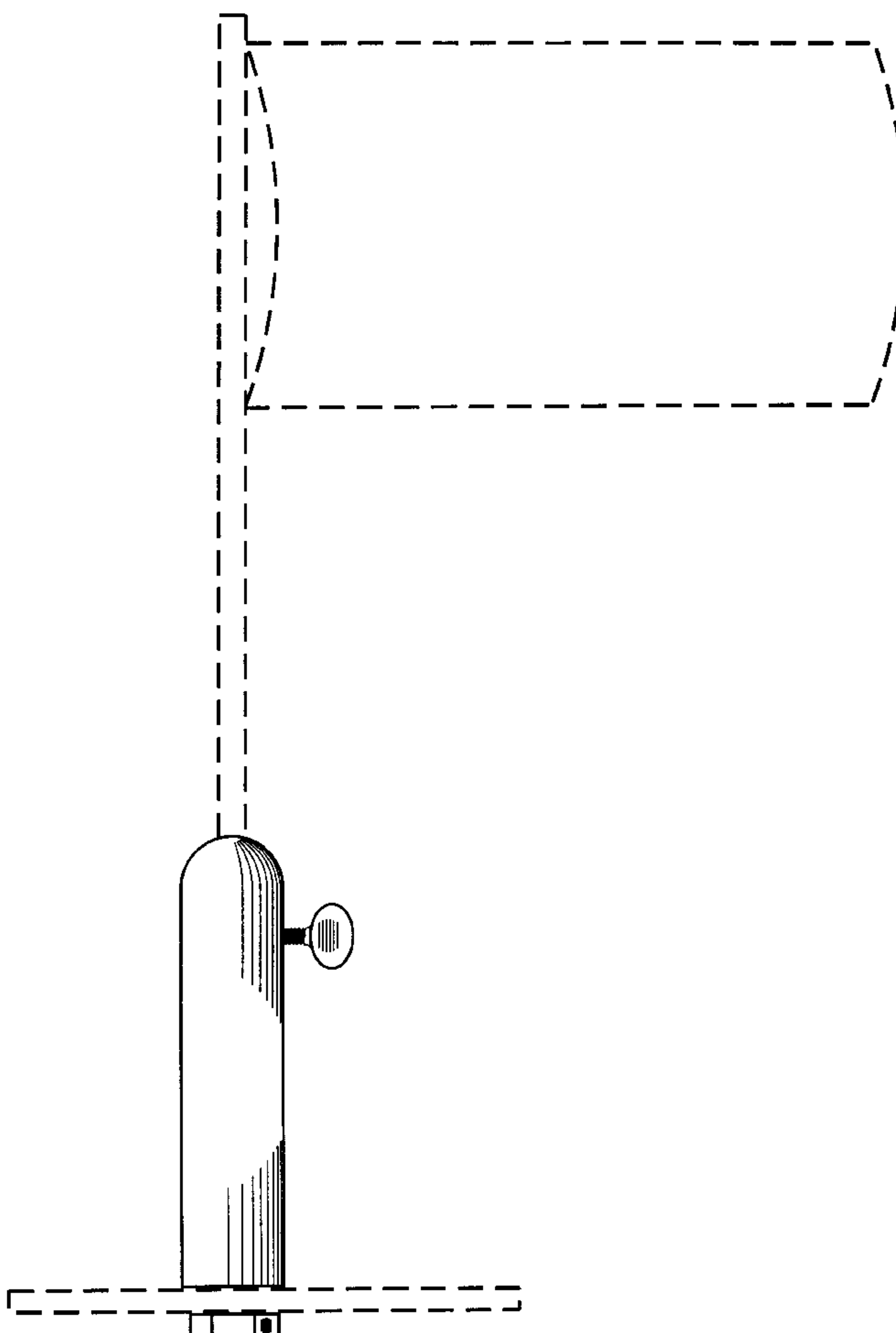
FIG. 1 is a reduced side elevational view of a flag holder for vehicles showing our new design;
FIG. 2 is a side elevational view of the flag holder for vehicles in exploded format to completely show the lower retaining bolt and the flag staff securing screw;
FIG. 3 is a top plan view of the flag holder for vehicles;
FIG. 4 is a cross-sectional view taken through sectional line 4—4 of FIG. 3 and as seen from the side opposite that shown in FIG. 2; and,
FIG. 5 is a bottom plan view of the flag holder for vehicles.
The broken lines in FIGS. 1, 2 and 4 are for illustrative purposes only and forms no part of the claimed design.

[56] **References Cited**

U.S. PATENT DOCUMENTS

D. 235,094 5/1975 Murphy D11/166
D. 340,676 10/1993 Gallagher D11/182
D. 349,077 7/1994 Catuto D11/166
D. 409,950 5/1999 Cursage D11/181
2,983,438 5/1961 Brockman D11/166 X
3,139,611 6/1964 Fleming D20/41 X

1 Claim, 2 Drawing Sheets



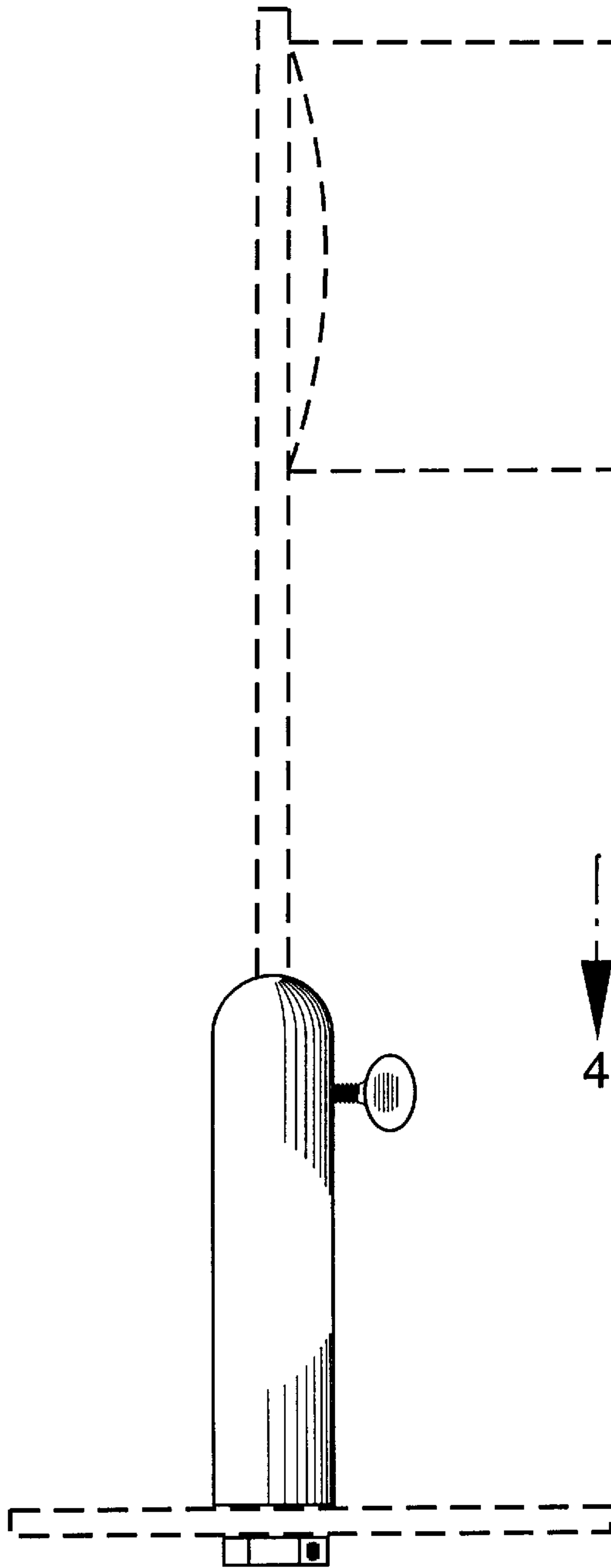


FIG. 1

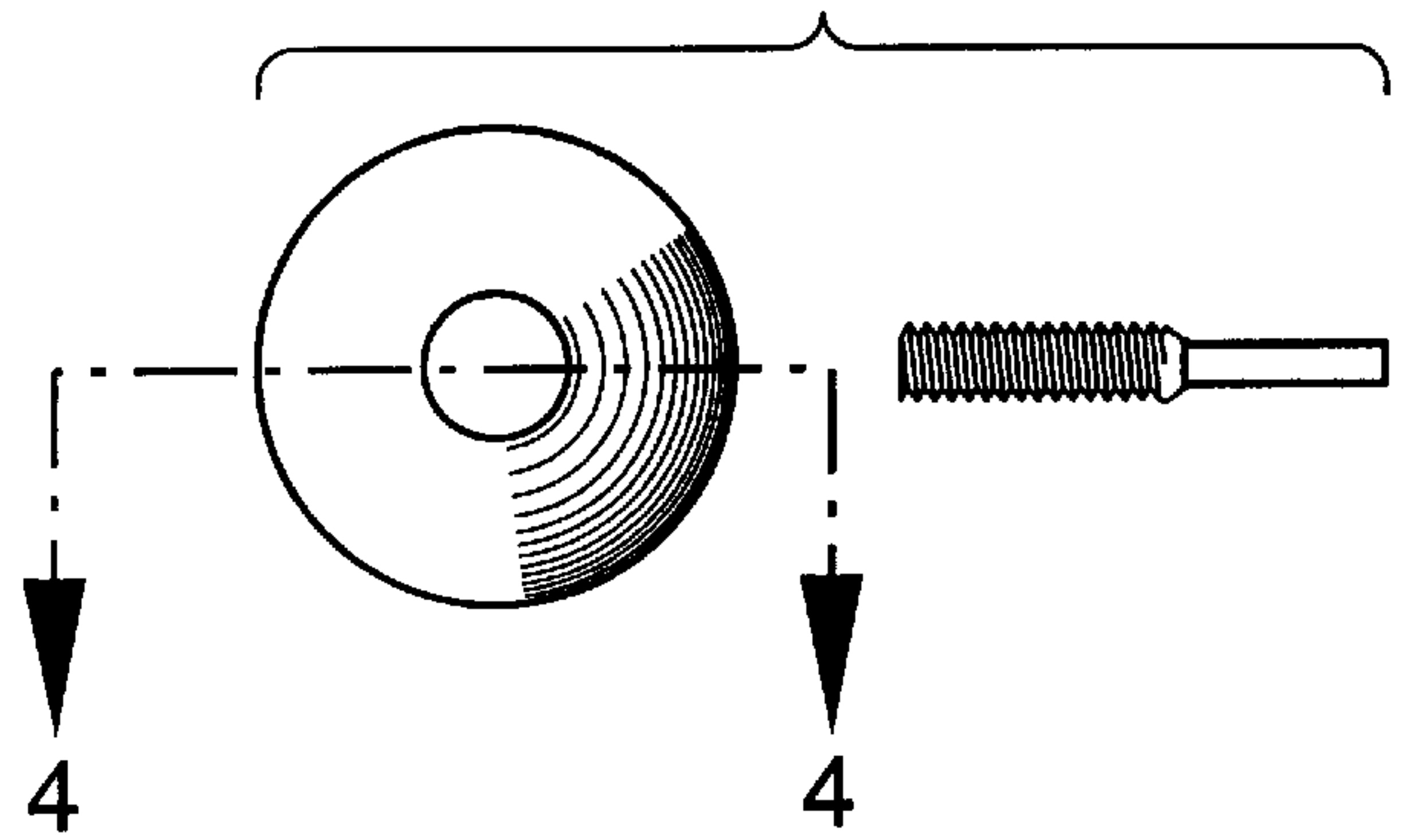


FIG. 3

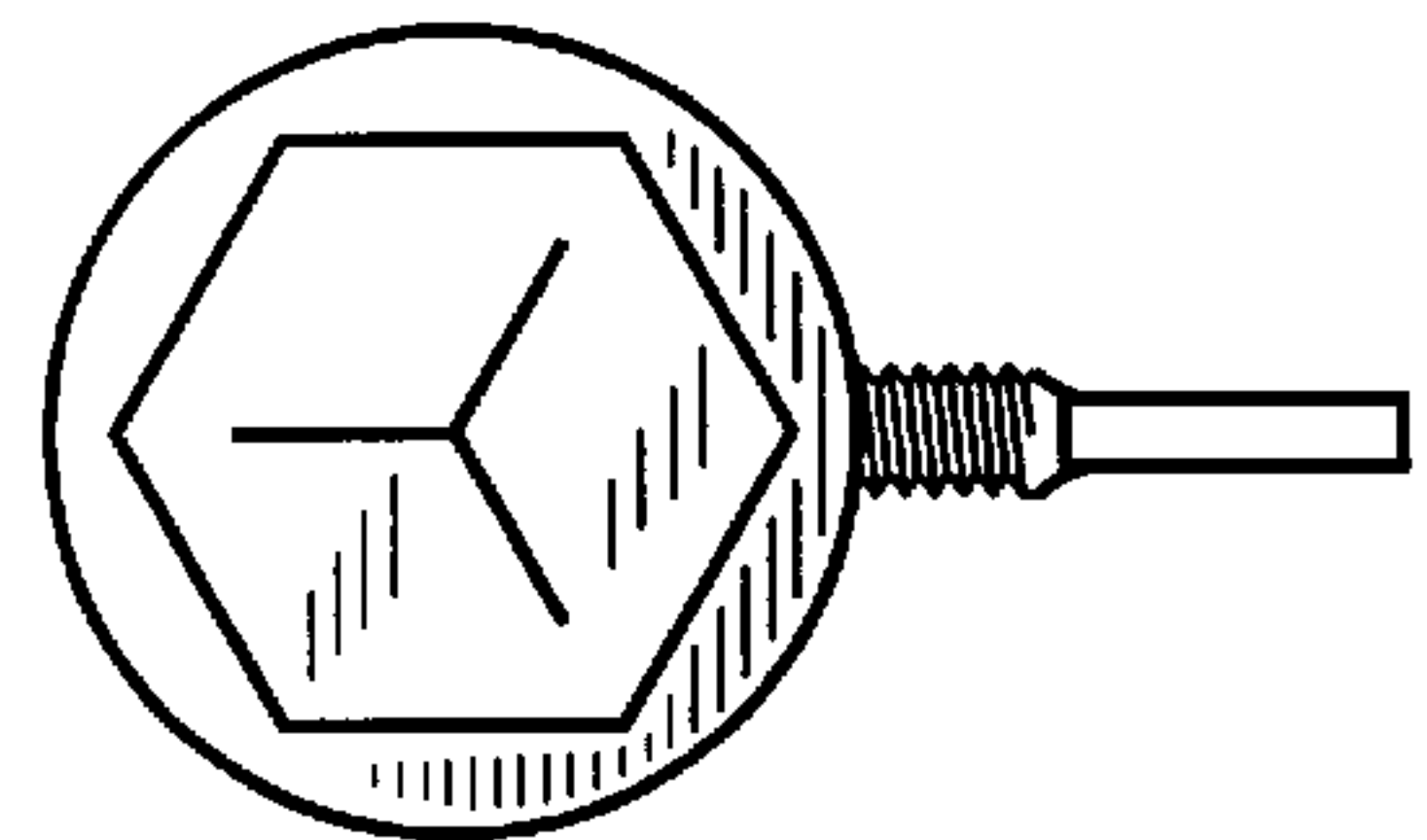


FIG. 5

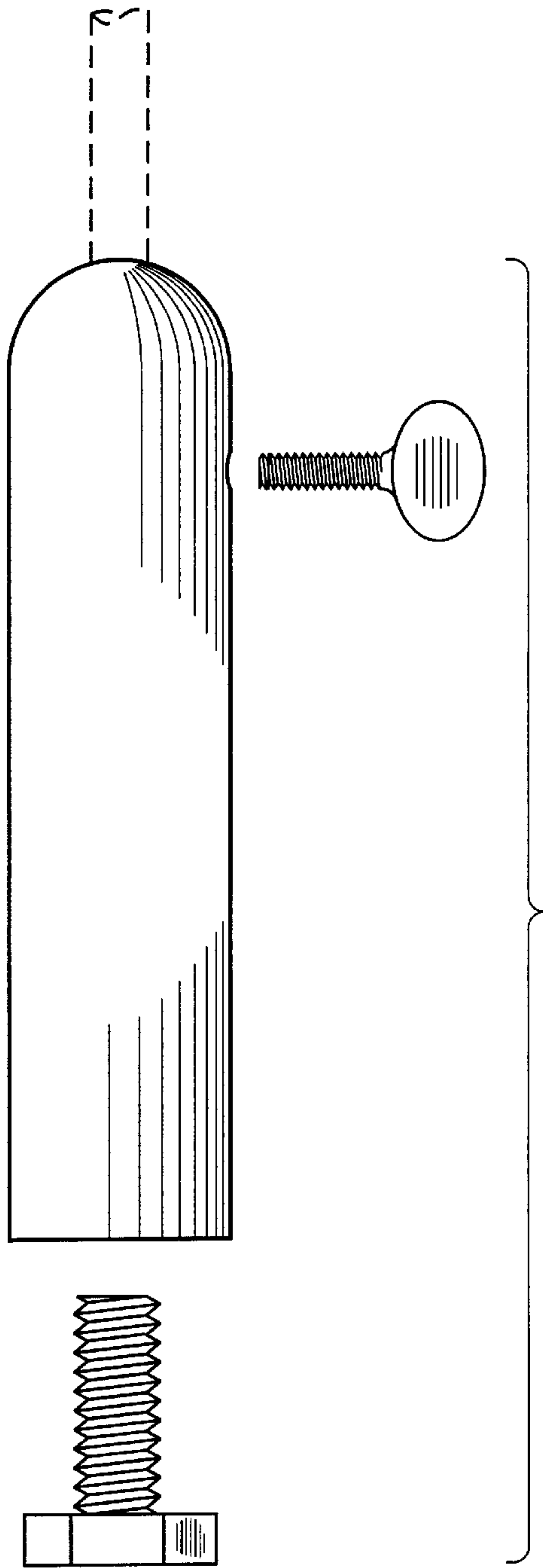


FIG. 2

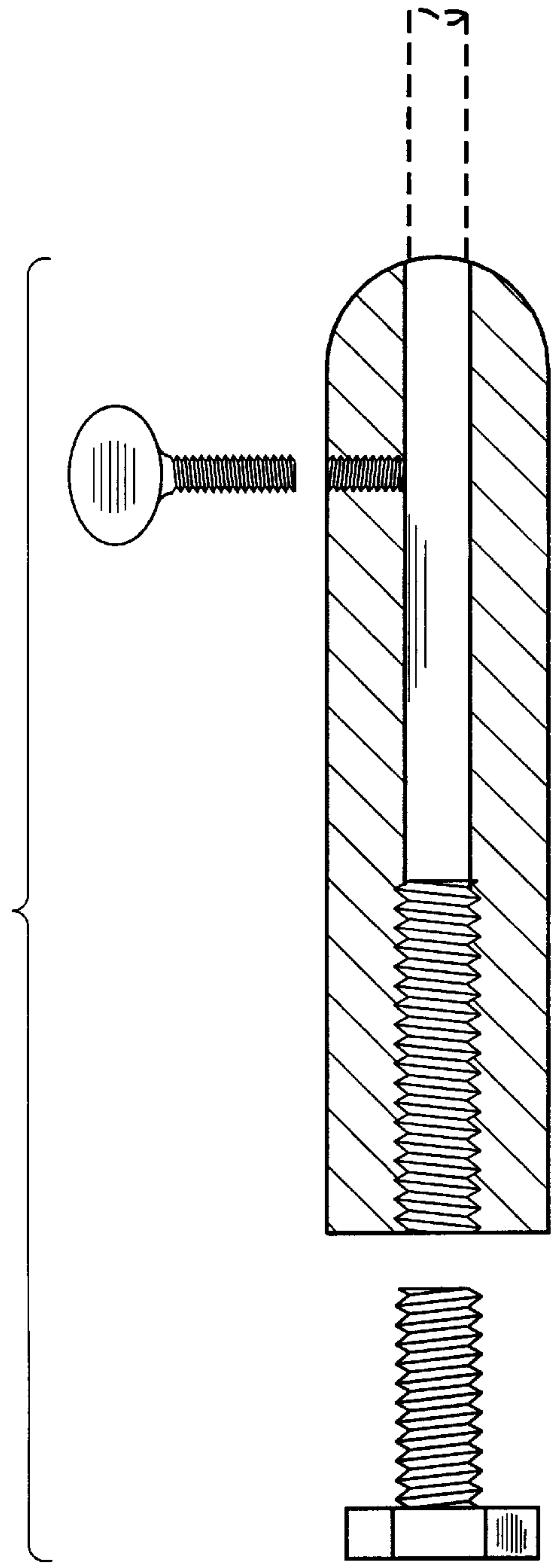


FIG. 4