



US00D427101S

# United States Patent [19] Leen

[11] **Patent Number: Des. 427,101**  
[45] **Date of Patent: \*\* Jun. 27, 2000**

[54] **MOTION SENSOR**

D. 381,283 7/1997 Soreo ..... D10/106  
D. 383,078 9/1997 Carmi ..... D10/106

[76] Inventor: **Monte A. Leen**, 11730 NE. 12th St.,  
Bellevue, Wash. 98005

*Primary Examiner*—Marcus A. Jackson  
*Attorney, Agent, or Firm*—Dean A. Craine, P.S.

[\*\*] Term: **14 Years**

### [57] CLAIM

[21] Appl. No.: **29/107,537**

The ornamental design for a motion sensor, as shown and described.

[22] Filed: **Jul. 6, 1999**

### DESCRIPTION

[51] **LOC (7) Cl.** ..... **10-05**

[52] **U.S. Cl.** ..... **D10/106**

[58] **Field of Search** ..... D10/104, 106,  
D10/116, 121; 340/521, 540, 541, 543,  
545, 546, 555, 556, 558, 571, 572, 573

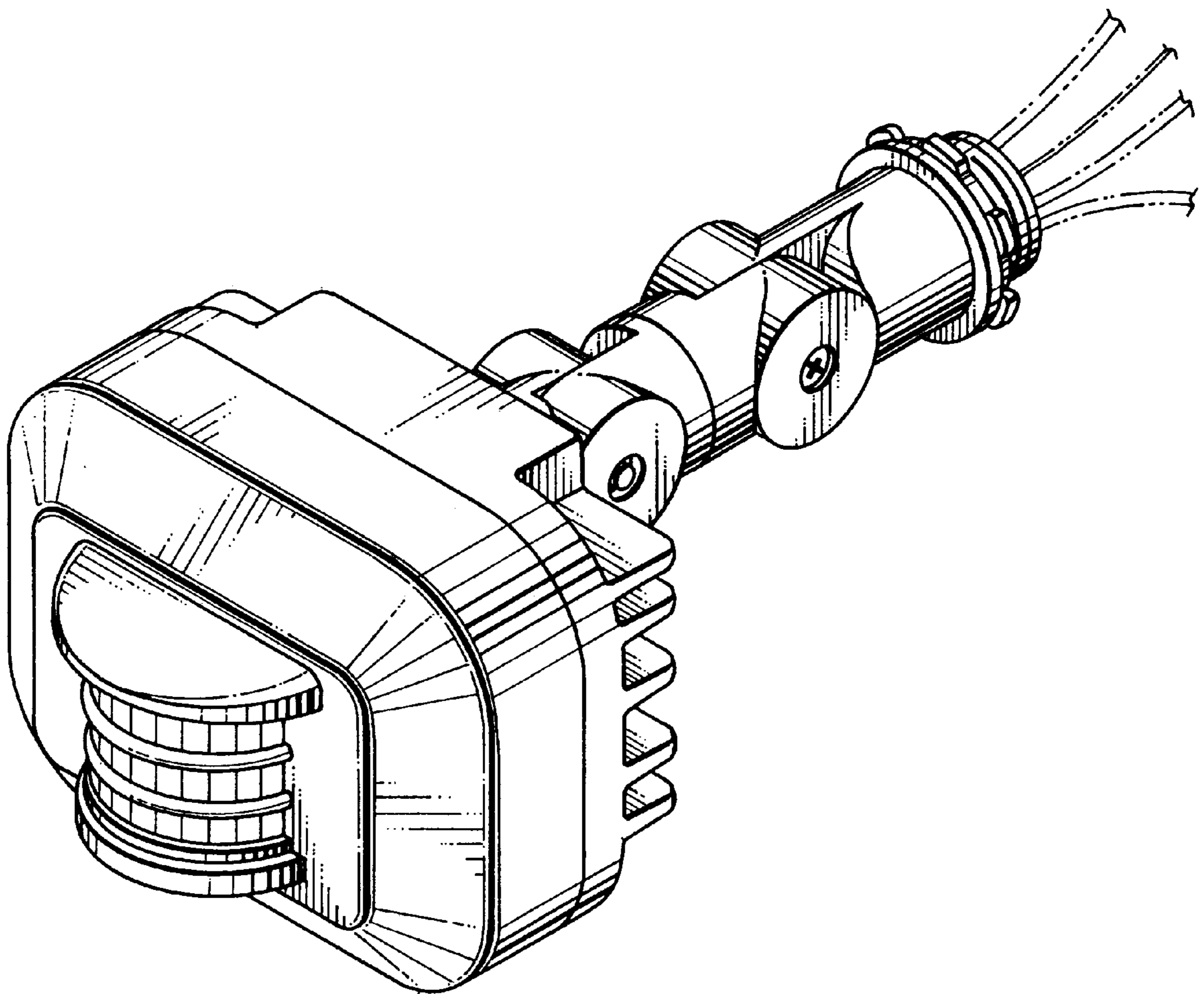
FIG. 1 is a perspective view of the motion sensor, with the broken line showing for illustrative purposes only and forming no part of the claimed design;  
FIG. 2 is a front plan view of the invention.  
FIG. 3 is a rear plan view of the invention.  
FIG. 4 is a left side elevational view of the invention.  
FIG. 5 is a right side elevational view of the invention.  
FIG. 6 is a top plan view of the invention; and,  
FIG. 7 is a bottom plan view of the invention.

### [56] References Cited

#### U.S. PATENT DOCUMENTS

D. 335,467 5/1993 Cheng ..... D10/106  
D. 363,804 10/1995 Parker et al. .... D10/106  
D. 363,891 11/1995 Gough ..... D10/106

**1 Claim, 2 Drawing Sheets**



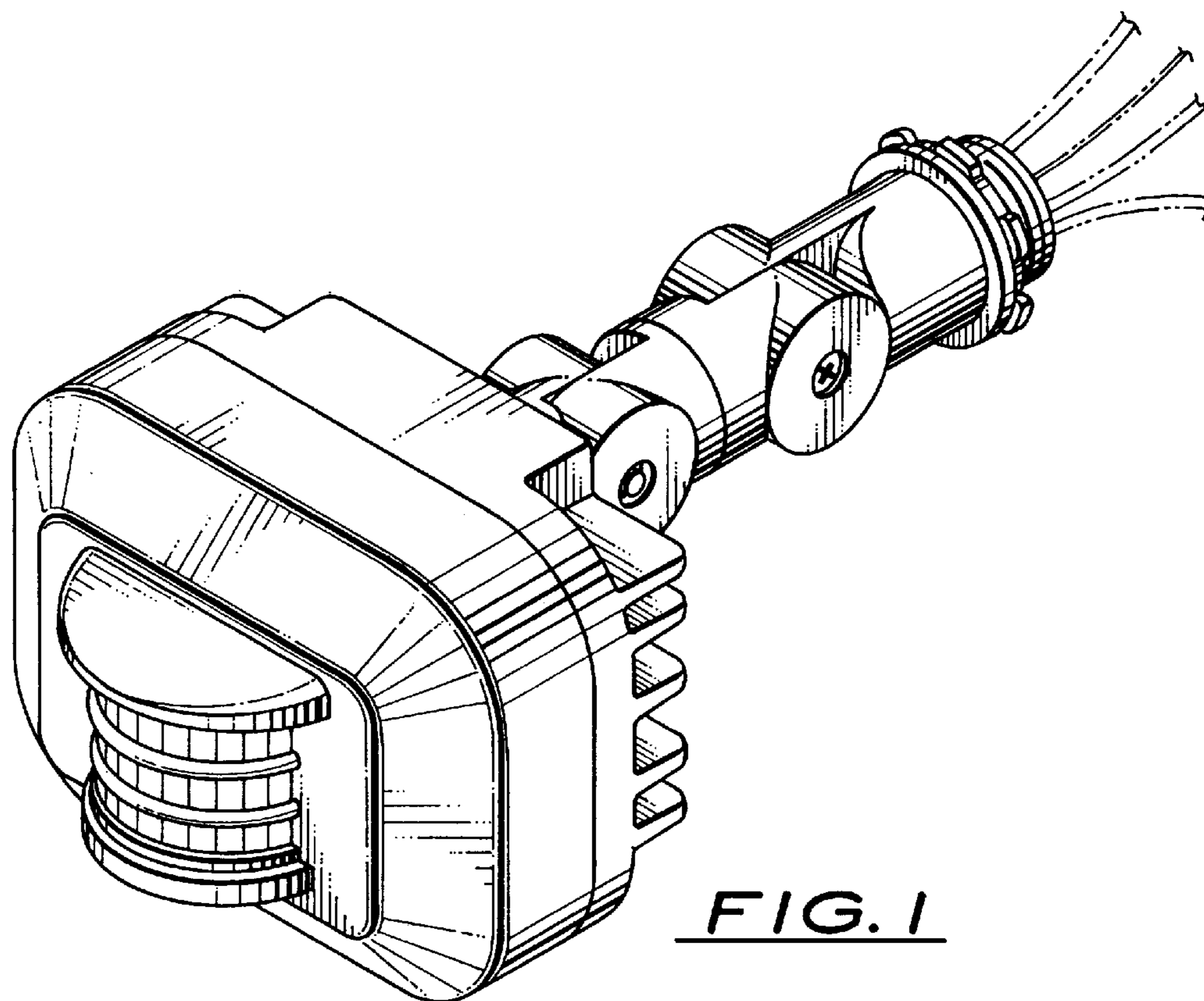


FIG. 1

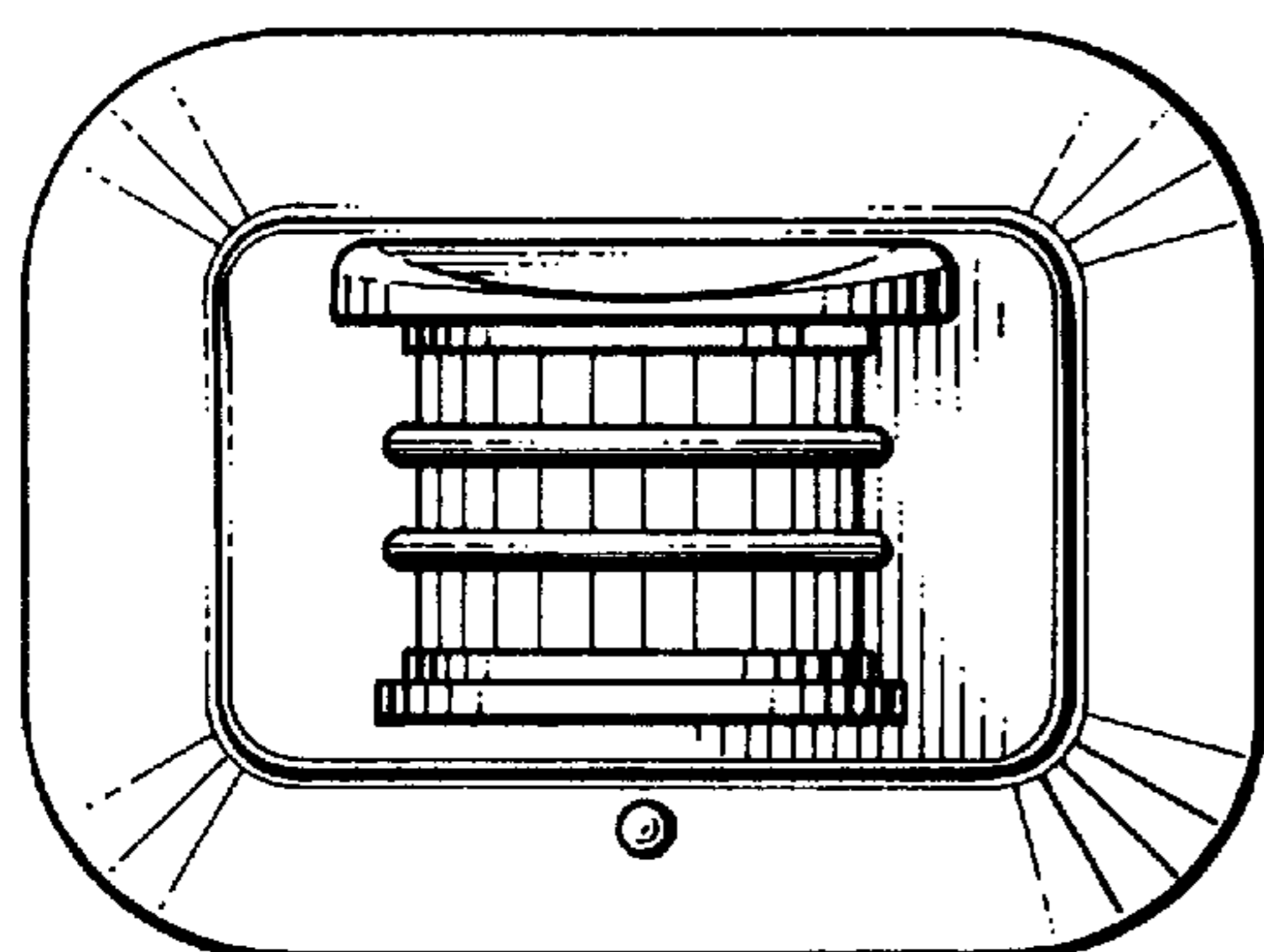


FIG. 2

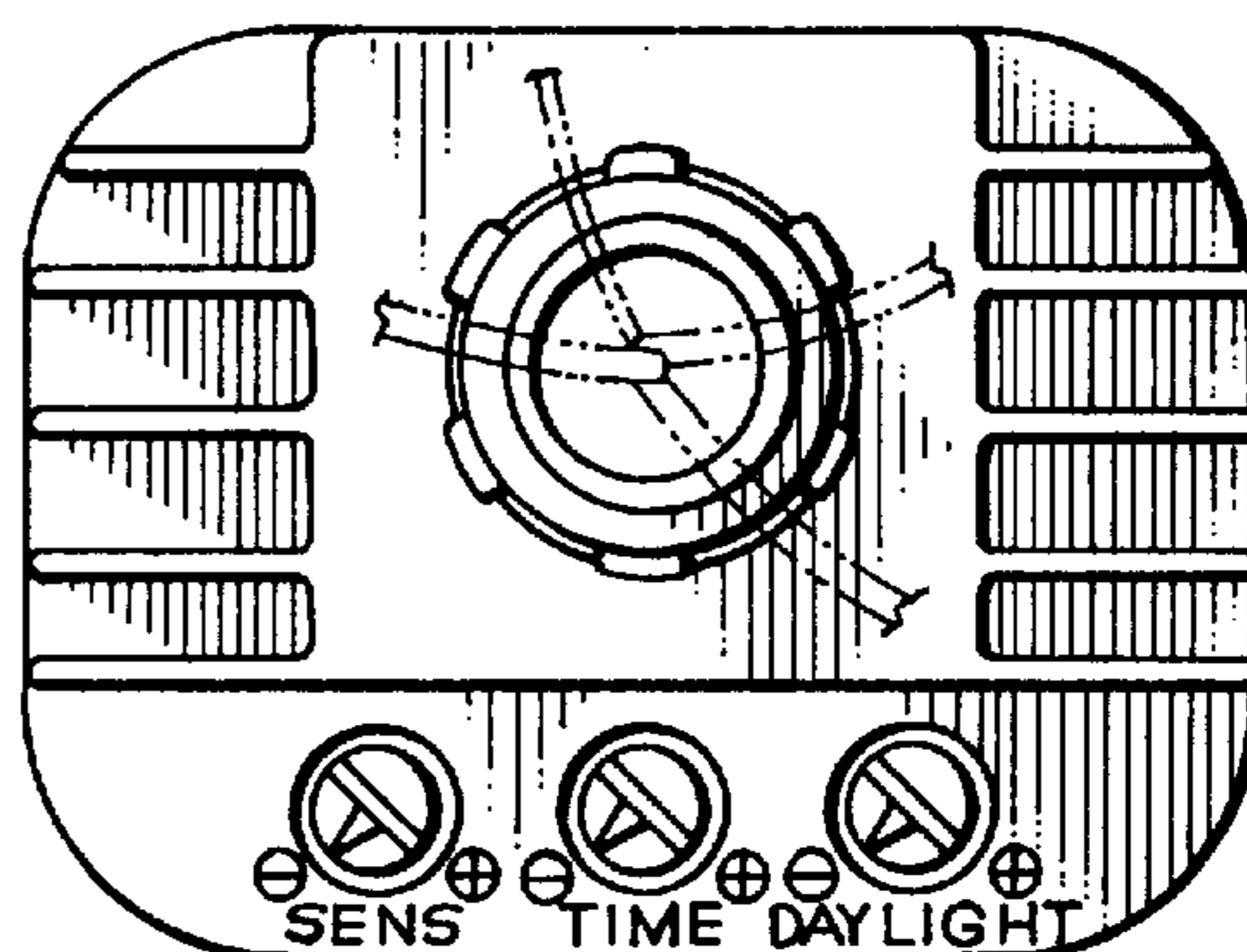


FIG. 3

