



US00D427100S

United States Patent [19] Elbinger

[11] **Patent Number: Des. 427,100**

[45] **Date of Patent: ** Jun. 27, 2000**

[54] **DEVICE FOR A NON-CONTACT TRANSMISSION OF DATA WITH AN APPROACH PROTECTION**

[75] Inventor: **Gerd Elbinger**, Fuerth, Germany

[73] Assignee: **Siemens Aktiengesellschaft**, München, Germany

[**] Term: **14 Years**

[21] Appl. No.: **29/052,427**

[22] Filed: **Mar. 29, 1996**

[30] **Foreign Application Priority Data**

Sep. 29, 1993 [DE] Germany M95 07 850

[51] **LOC (7) Cl.** **10-05**

[52] **U.S. Cl.** **D10/106**

[58] **Field of Search** D10/114, 104, D10/106, 116, 121, 109; 340/539, 540, 541, 545, 546, 547, 550, 551, 561, 565, 571, 572, 573

[56] **References Cited**

U.S. PATENT DOCUMENTS

- D. 302,952 8/1989 Soloway et al. D10/106
- D. 307,245 4/1990 Biersdorff D10/106
- D. 307,560 5/1990 Andrews et al. D10/106
- D. 308,176 5/1990 Soloway et al. D10/106
- D. 327,657 7/1992 Marcou et al. D10/106

- D. 330,685 11/1992 Juliana et al. D10/106
- D. 354,925 1/1995 Eggers et al. D10/106

Primary Examiner—Marcus A. Jackson
Attorney, Agent, or Firm—Kenyon & Kenyon

[57] **CLAIM**

The ornamental design for a device for a non-contact transmission of data with an approach protection, as shown and described.

DESCRIPTION

FIG. 1 shows a perspective view of a device for a non-contact transmission of data with an approach protection showing my new design.

FIG. 2 shows a front view of device for a non-contact transmission of data with an approach protection illustrated in FIG. 1.

FIG. 3 shows a top view of device for a non-contact transmission of data with an approach protection illustrated in FIG. 1.

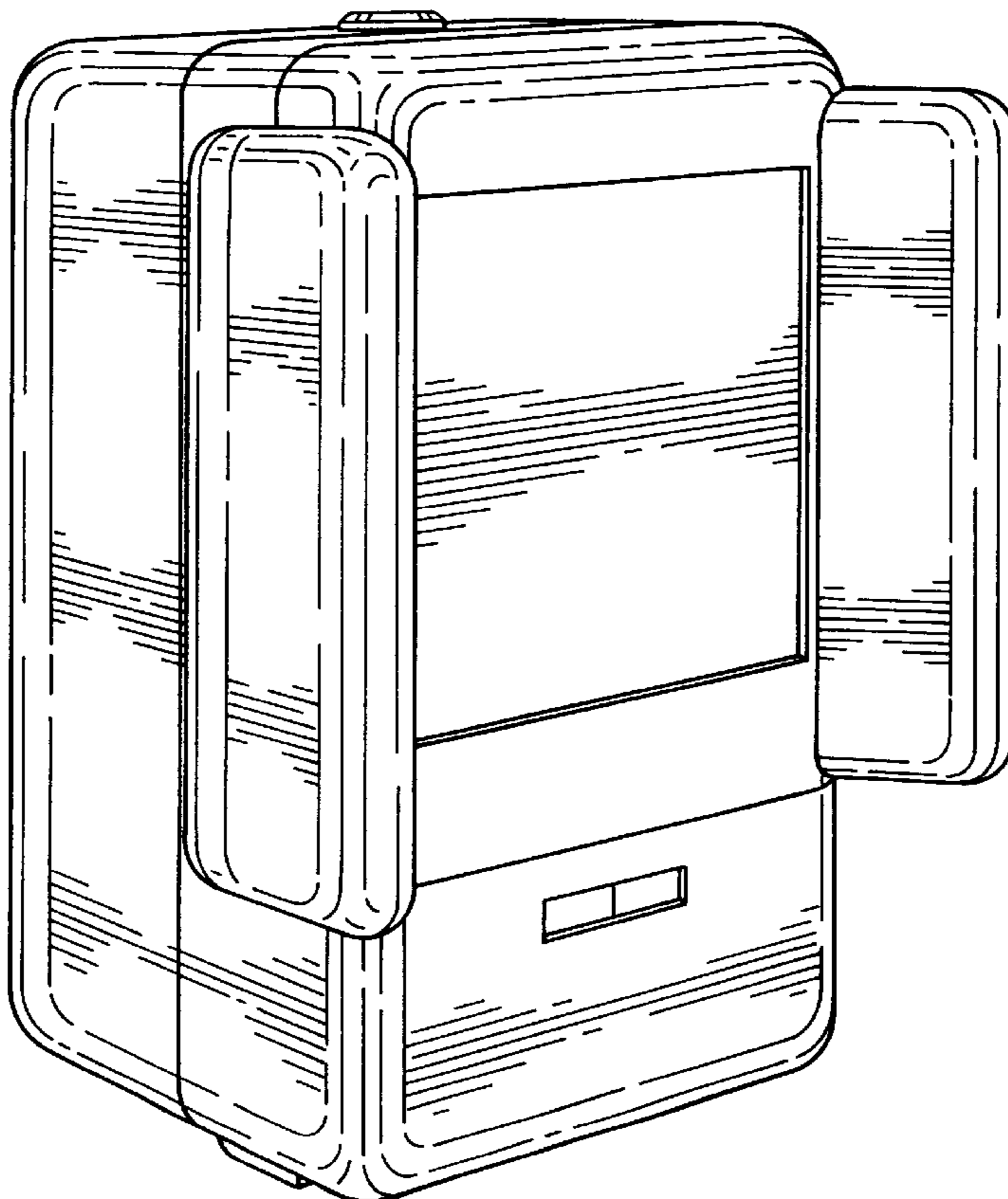
FIG. 4 shows a left side view of an infrared detector illustrated in FIG. 1.

FIG. 5 shows a right side view of an infrared detector illustrated in FIG. 1.

FIG. 6 shows a rear view of an infrared detector illustrated in FIG. 1; and,

FIG. 7 shows a bottom view of an infrared detector illustrated in FIG. 1.

1 Claim, 4 Drawing Sheets



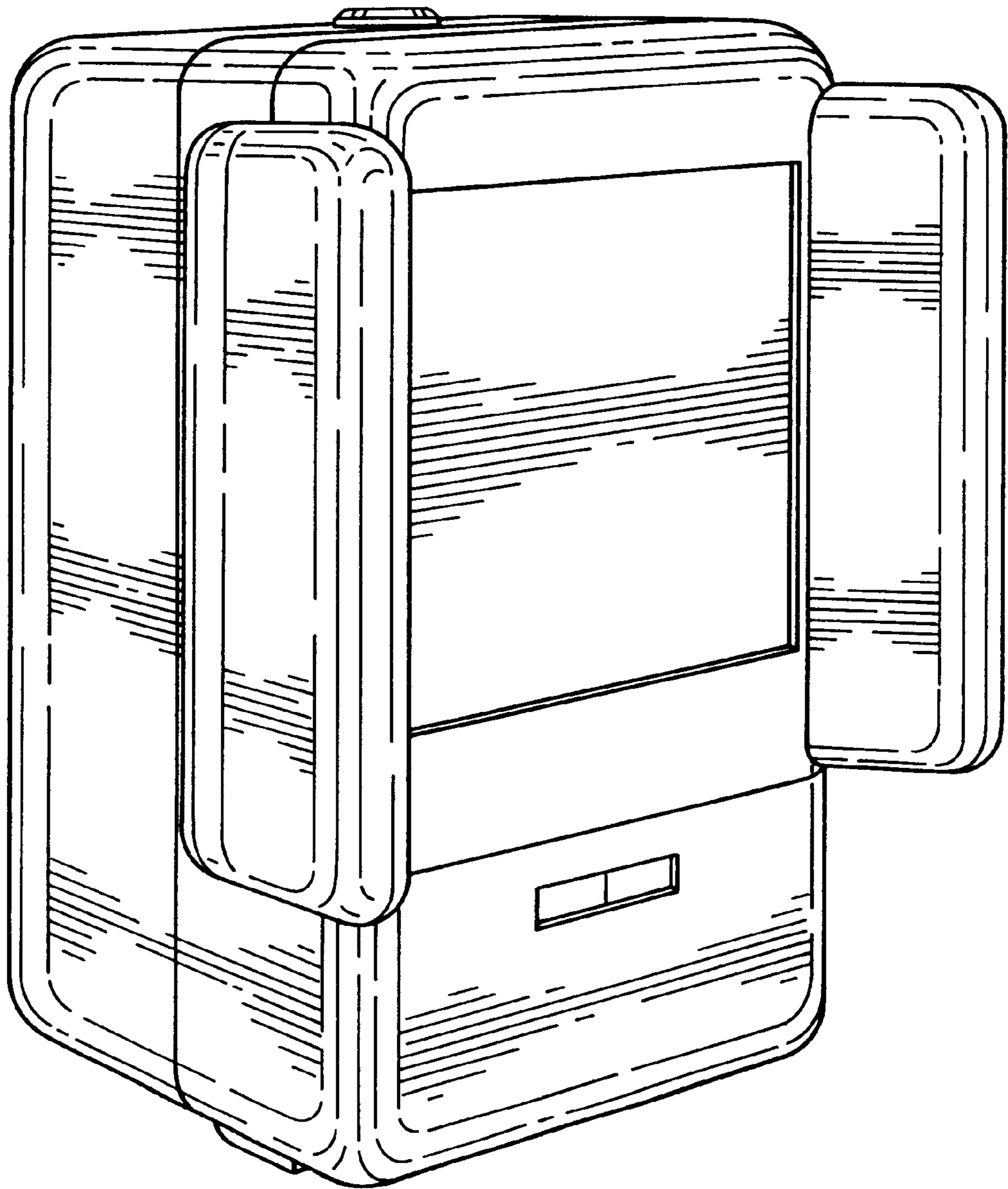


FIG. 1

FIG. 3

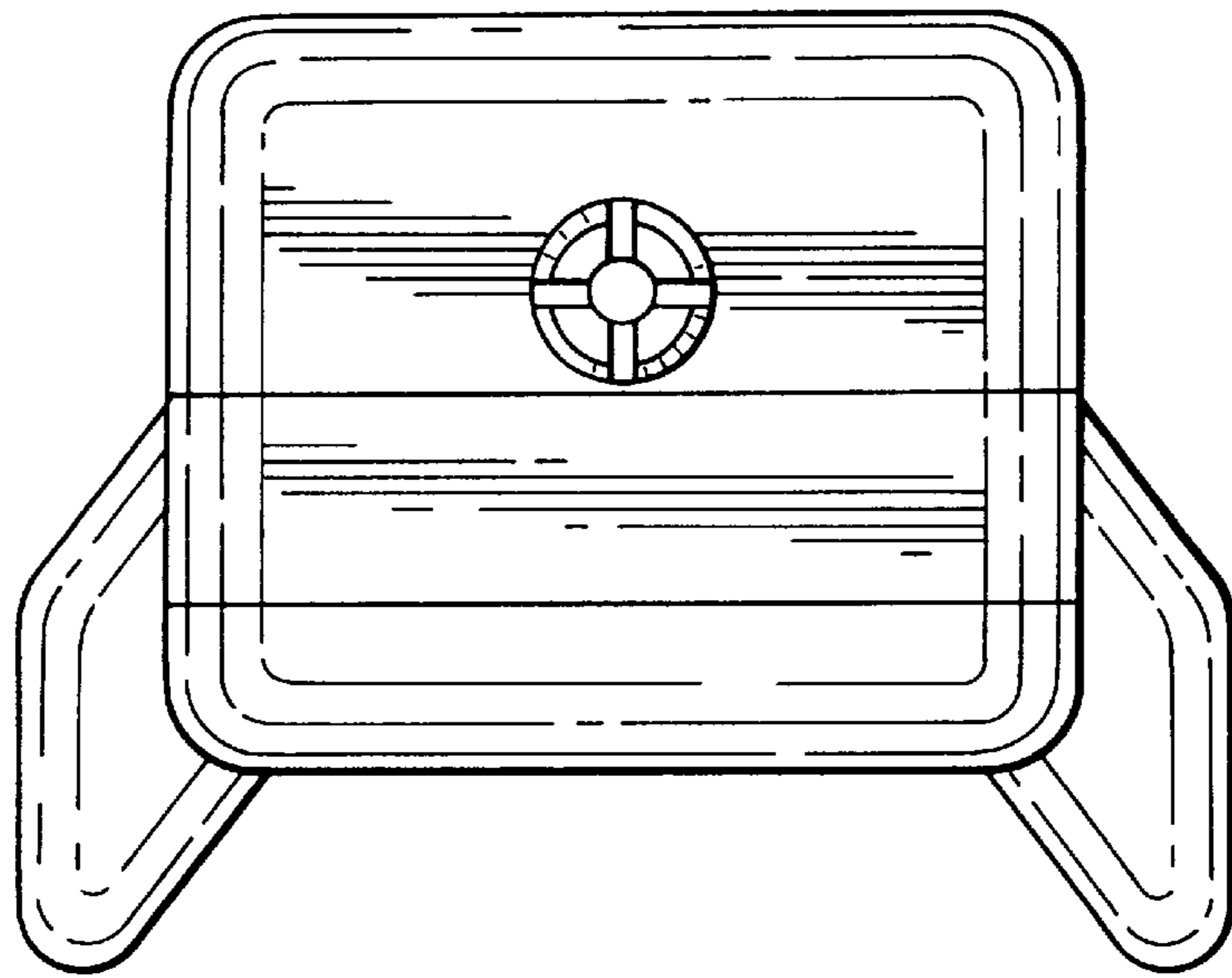
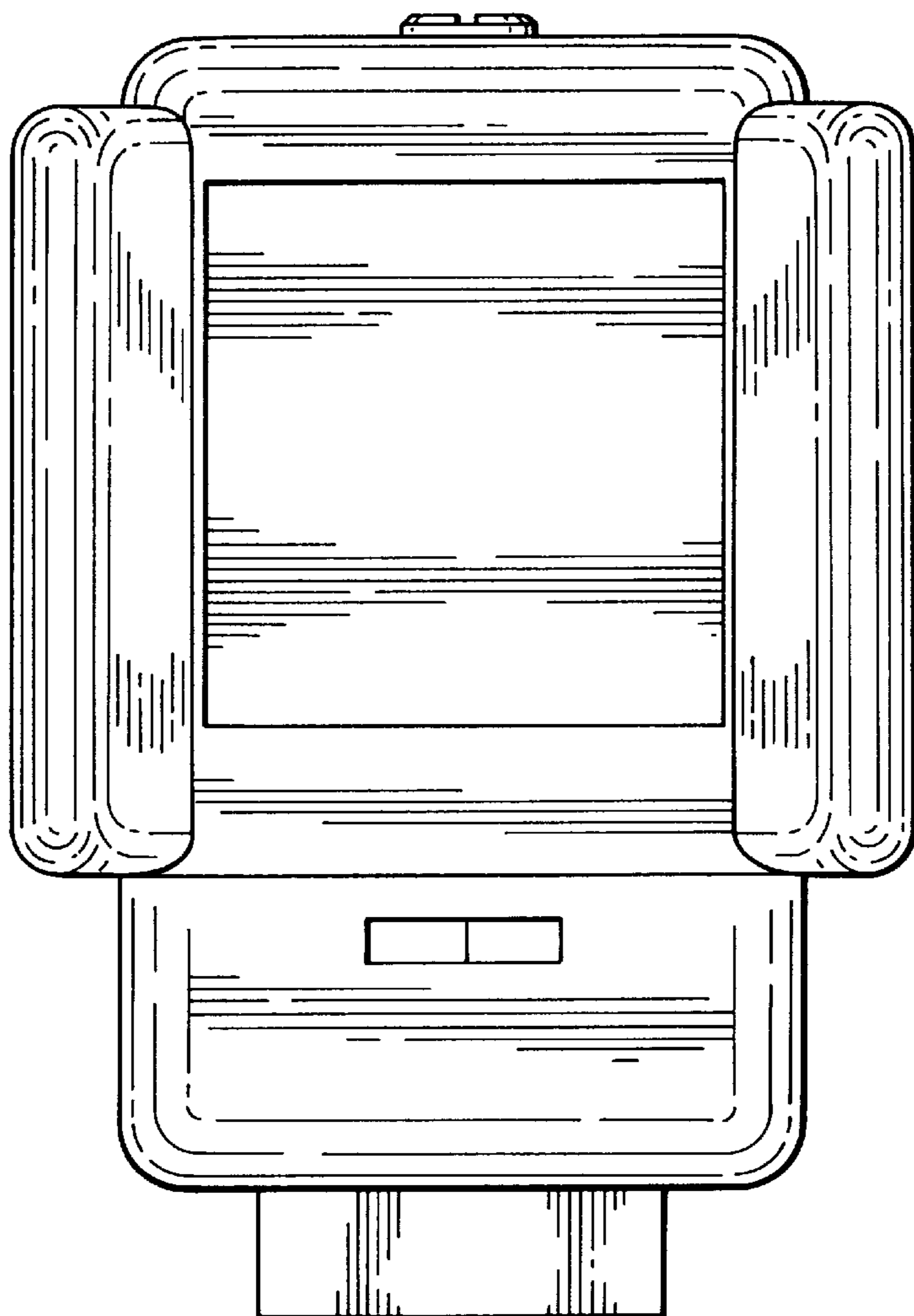


FIG. 2



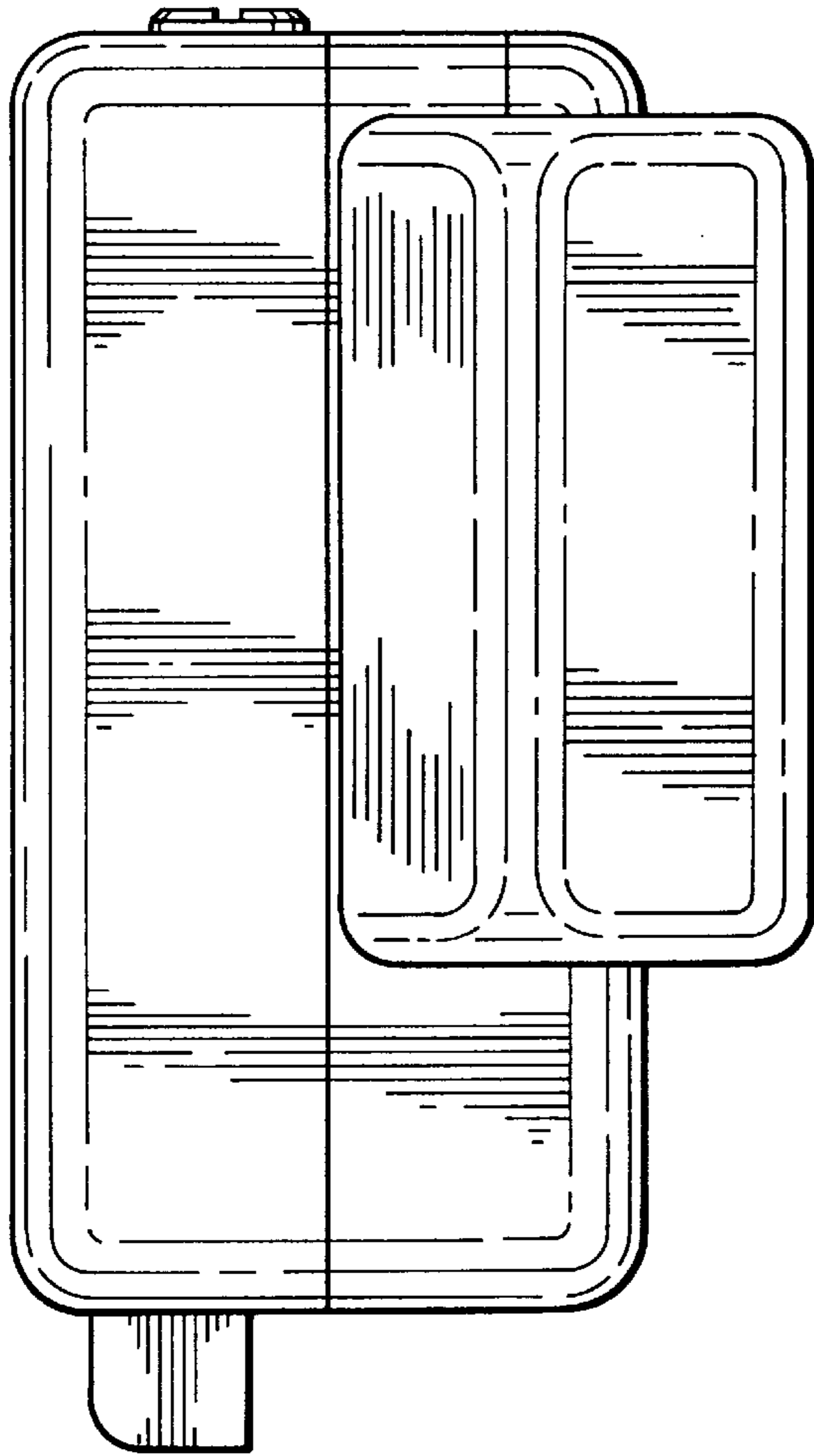


FIG. 5

FIG. 4

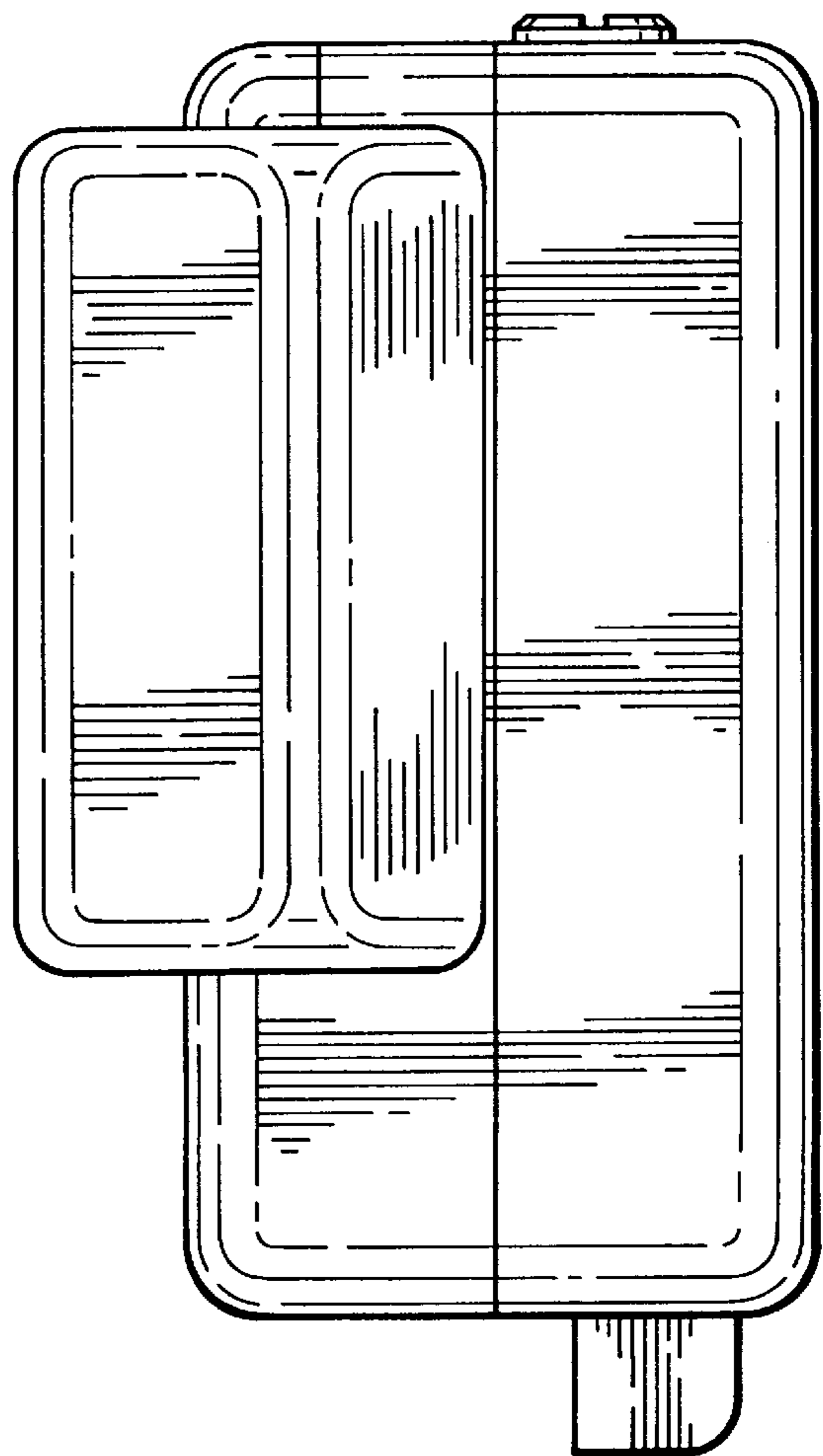


FIG. 6

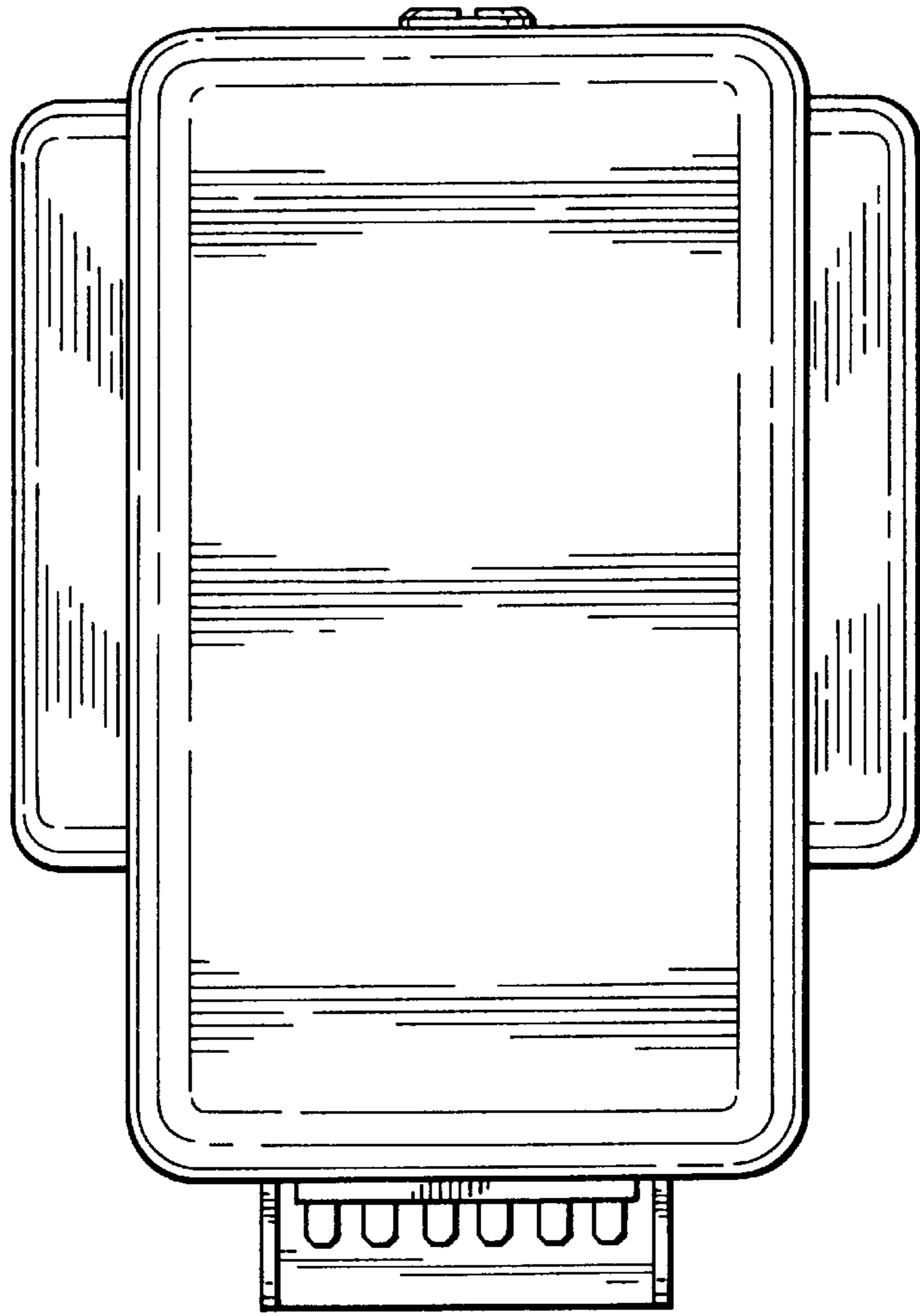


FIG. 7

