



US00D427096S

United States Patent [19]
McCarthy et al.

[11] **Patent Number: Des. 427,096**
[45] **Date of Patent: ** Jun. 27, 2000**

[54] **CORIOLIS FLOWMETER CASING**

5,301,557 4/1994 Cage et al. D10/96 X

[75] Inventors: **John Richard McCarthy**, Boulder;
William Randolph Weber, Arvada;
Robert Lee Mancha, Boulder, all of
Colo.

Primary Examiner—Antoine Duval Davis
Attorney, Agent, or Firm—Duft, Graziano & Forest, P.C.

[73] Assignee: **Micro Motion, Inc.**, Boulder, Colo.

[57] **CLAIM**
The ornamental design for a coriolis flowmeter casing, as shown and described.

[**] Term: **14 Years**

DESCRIPTION

[21] Appl. No.: **29/111,782**

FIG. 1 is a side perspective view of a coriolis flowmeter casing showing a front end;

[22] Filed: **Oct. 4, 1999**

FIG. 2 is a side view of the coriolis flowmeter casing shown in FIG. 1;

[51] **LOC (7) Cl.** **10-04**

[52] **U.S. Cl.** **D10/96**

[58] **Field of Search** D10/96; 73/861.355,
73/861.357

FIG. 3 is a top view of the coriolis flowmeter casing shown in FIG. 1;

FIG. 4 is a bottom view of the coriolis flowmeter casing shown in FIG. 1; and,

FIG. 5 is a front end view the coriolis flowmeter casing of FIG. 1.

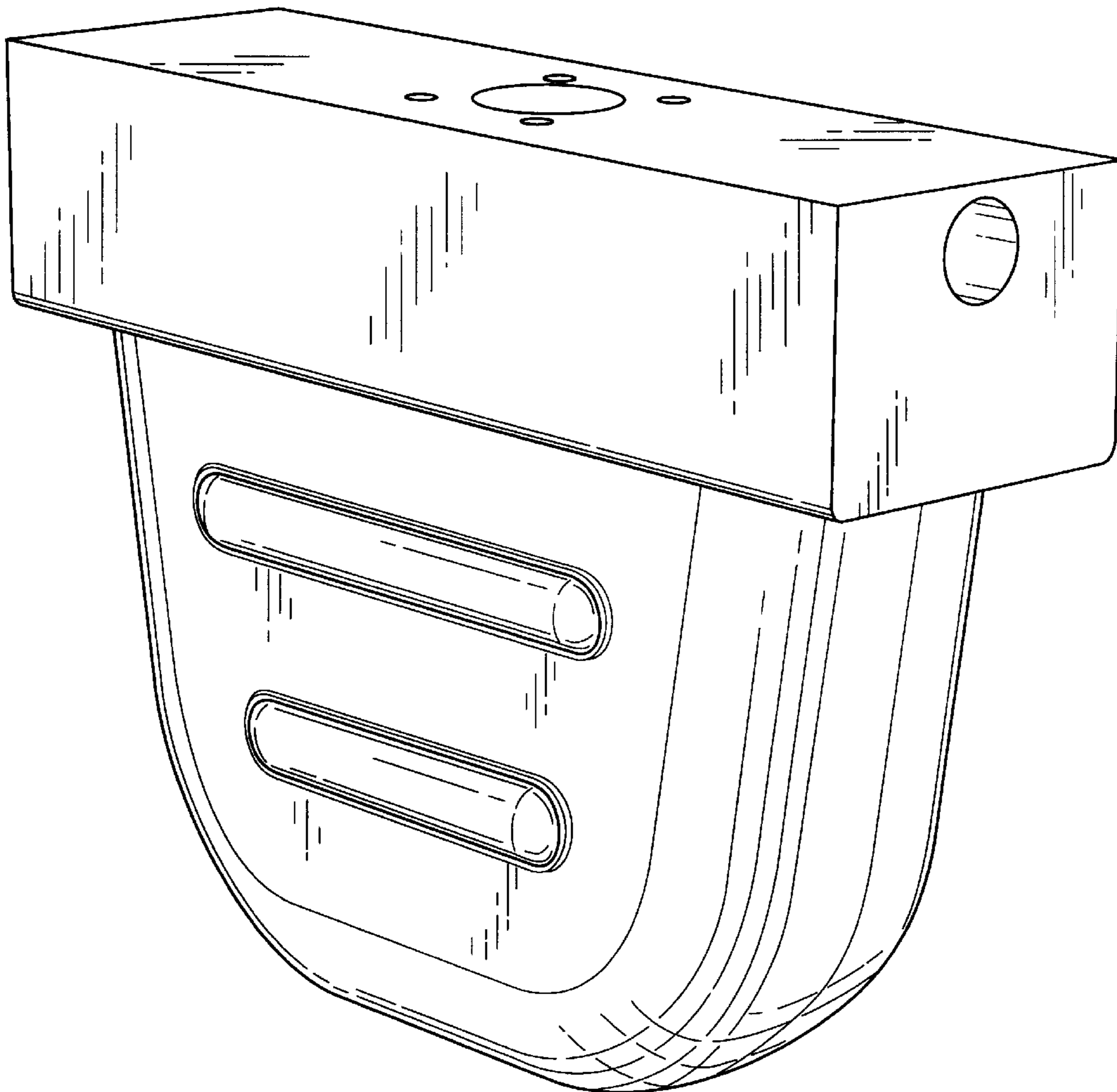
The broken line showing is for illustrative purposes only and forms no part of the claimed design.

[56] **References Cited**

U.S. PATENT DOCUMENTS

- Re. 36,376 11/1999 Cage et al. D10/96 X
- D. 332,229 1/1993 Brown D10/96
- D. 367,433 2/1996 Helwig D10/96

1 Claim, 5 Drawing Sheets



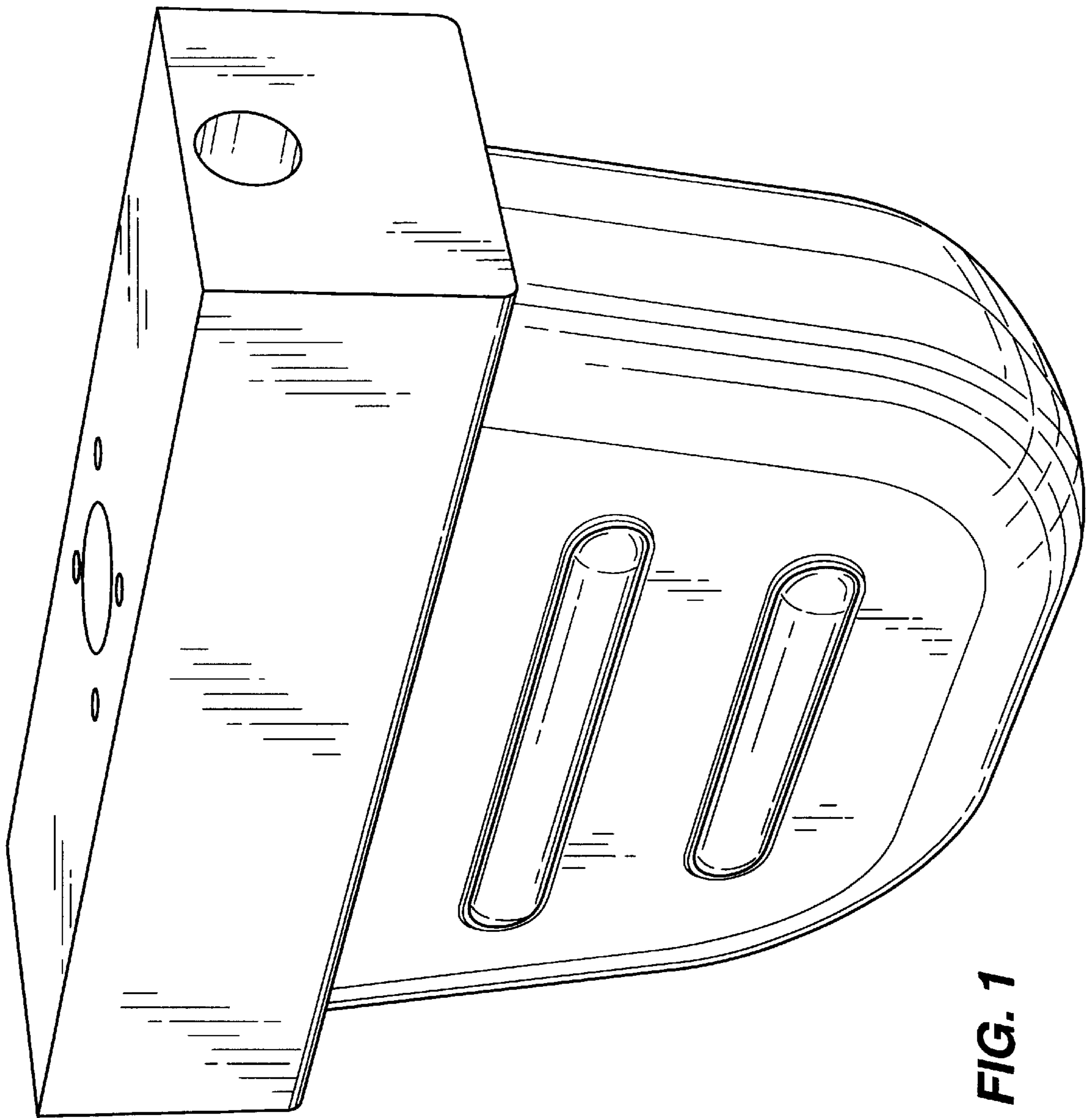


FIG. 1

FIG. 2

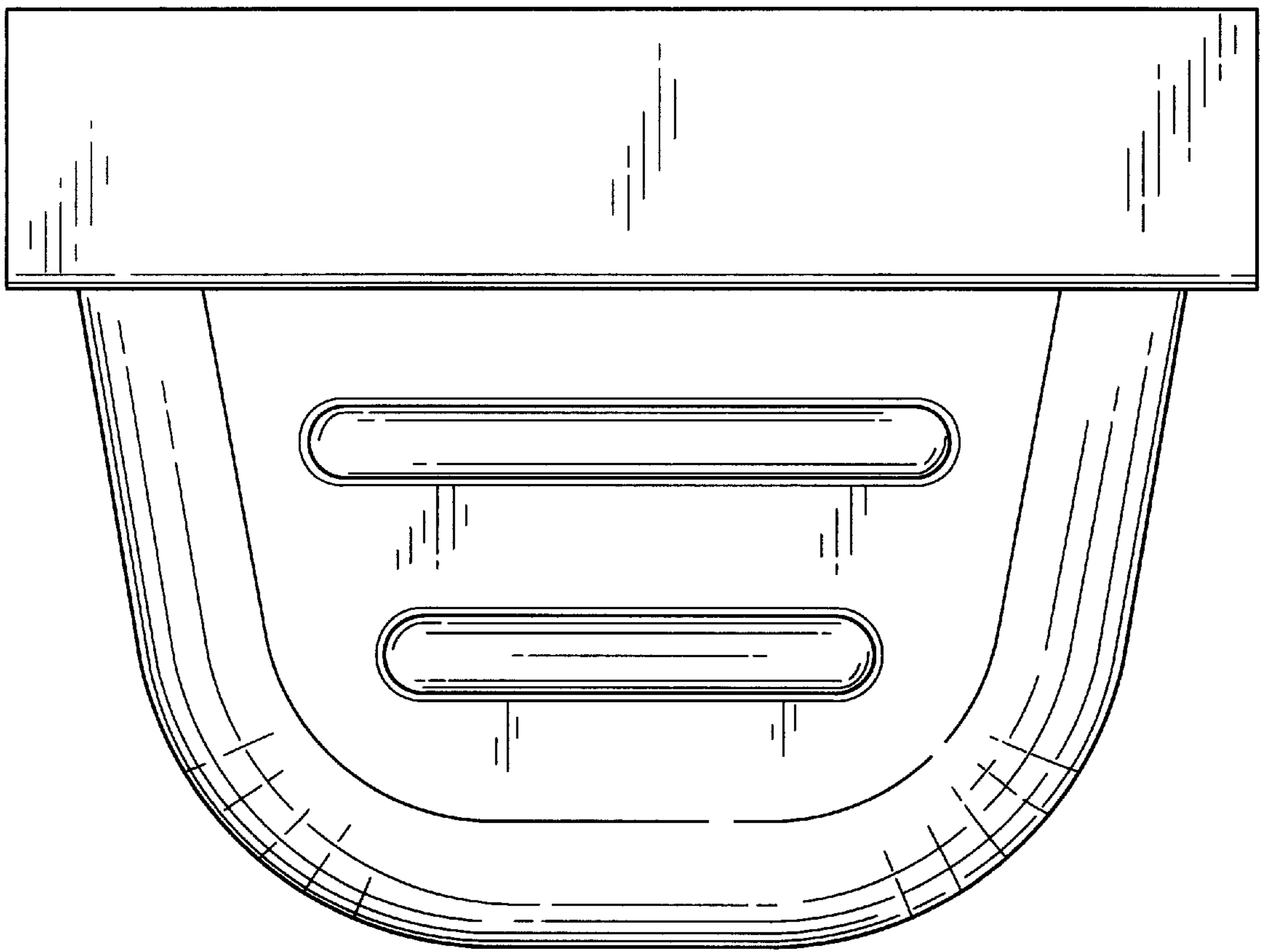


FIG. 3

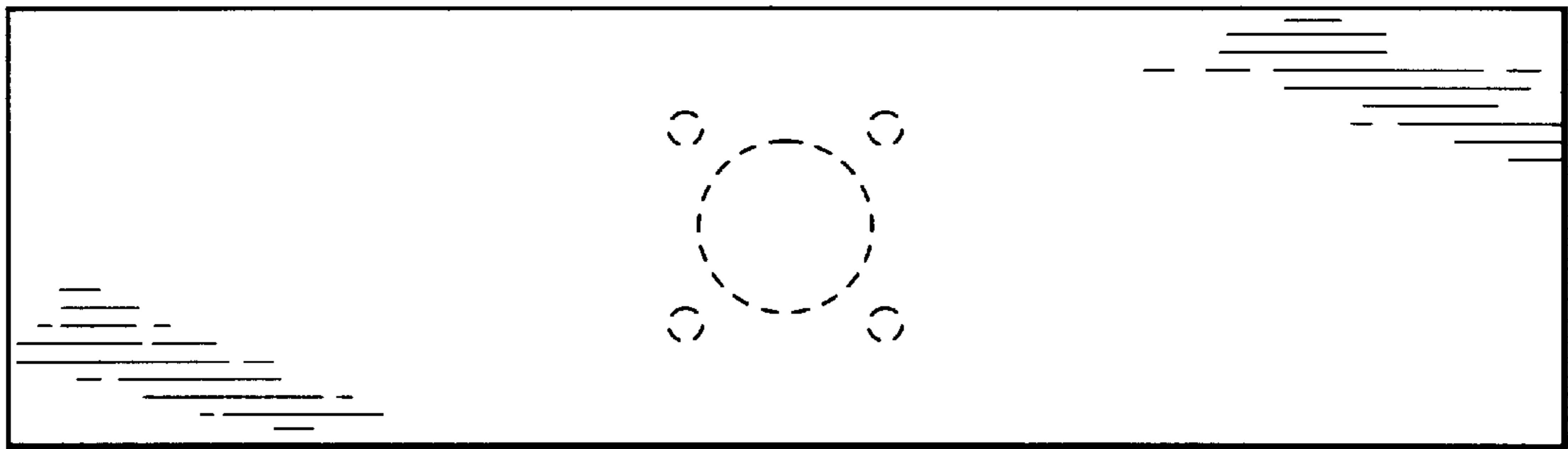


FIG. 4

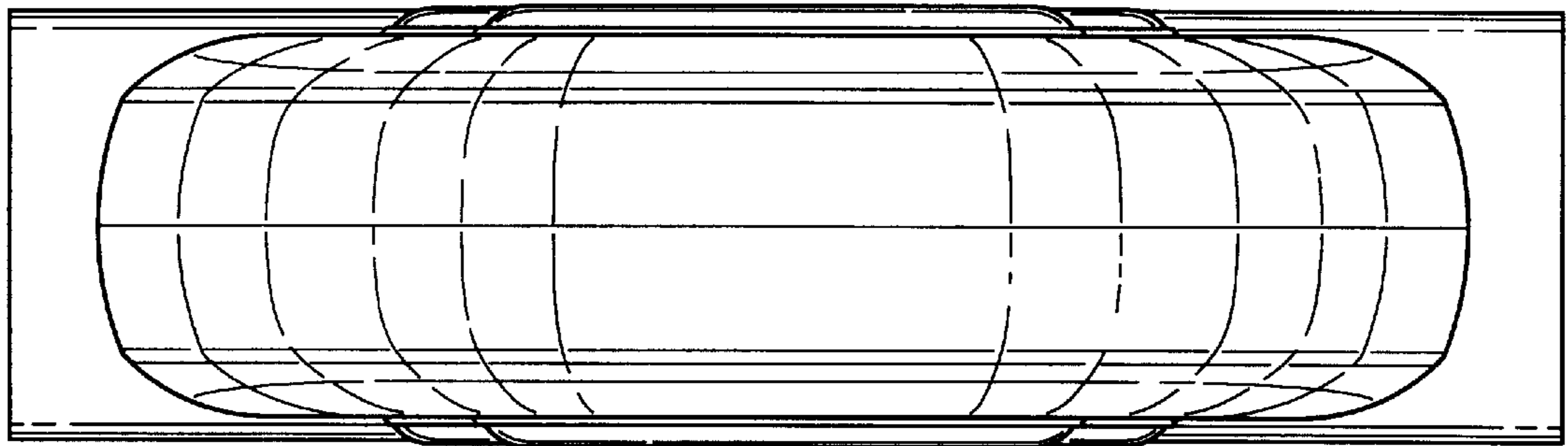


FIG. 5

