



US00D427084S

United States Patent [19]

Ramos, Jr. et al.

[11] Patent Number: Des. 427,084

[45] Date of Patent: ** Jun. 27, 2000

[54] WATCH COVER AND STRAP

[75] Inventors: Galileo P. Ramos, Jr., Lapu Lapu, Philippines; Daniel Simoneau, Brookfield, Conn.

[73] Assignee: Timex Corporation, Middlebury, Conn.

[**] Term: 14 Years

[21] Appl. No.: 29/108,296

[22] Filed: Jul. 23, 1999

[51] LOC (7) Cl. 10-02

[52] U.S. Cl. D10/32

[58] Field of Search D10/1-40, 122-132; D11/3-25; 63/1.1, 3, 5, 11; 368/276-277, 280-282, 285

[56] References Cited

U.S. PATENT DOCUMENTS

D. 351,349 10/1994 Schechter D10/32

(List continued on next page.)

Primary Examiner—Nelson C. Holtje

Attorney, Agent, or Firm—Carmody & Torrance LLP

[57] CLAIM

The ornamental design for a watch cover and strap, as shown and described.

DESCRIPTION

FIG. 1 is a perspective view of a watch cover and strap showing our new design; and illustrating a watch in broken lines for environmental purposes and forming no part of the claimed design;

FIG. 2 is a left side elevational view of the watch cover strap; it being understood that the portion of the strap not shown but illustrated in FIG. 4 in dotted lines is also intended to be present in FIG. 2 but not omitted for convenience and likewise does not form any part of the invention; FIG. 3 is a front elevational view of the watch cover and strap; it being understood that the portion of the strap not shown but illustrated in FIG. 4 in dotted lines is also intended to be present in FIG. 3 but omitted for convenience and likewise does not form any part of the invention;

FIG. 4 is a right side elevational view showing our invention, a portion of the strap being shown in dotted lines for

illustrative purposes only and not to form any part of our invention;

FIG. 5 is an end elevational view thereof; it being understood that the portion of the strap not shown but illustrated in FIG. 4 in dotted lines is also intended to be present in FIG. 5 but omitted for convenience and likewise does not form any part of the invention;

FIG. 6 is an opposite end elevational view thereof; it being understood that the portion of the strap not shown but illustrated in FIG. 4 in dotted lines is also intended to be present in FIG. 6 but omitted for convenience and likewise does not form any part of the invention;

FIG. 7 is a bottom plan view of the invention shown in FIG. 1; it being understood that the portion of the strap not shown but illustrated in FIG. 4 in dotted lines is also intended to be present in FIG. 7 but omitted for convenience and likewise does not form any part of the invention; and,

FIG. 8 is a front elevational view of a watch cover and strap in accordance with an alternate embodiment of our invention illustrating the watch cover and strap but intended to convey by the dotted lines that the present embodiment may be used in combination with a watch head having a different configuration in its display and top pushers form that depicted in dotted lines in FIG. 1.

The perspective view of this alternate embodiment of a watch cover and strap is identical to the watch cover and strap of FIG. 1 but for the feature that the shape of the openings to accommodate the display and pushers form no part of the invention;

The left side elevational view of this alternate embodiment of a watch cover and strap being identical to FIG. 2;

The right side elevational view of this alternate embodiment being identical to FIG. 4;

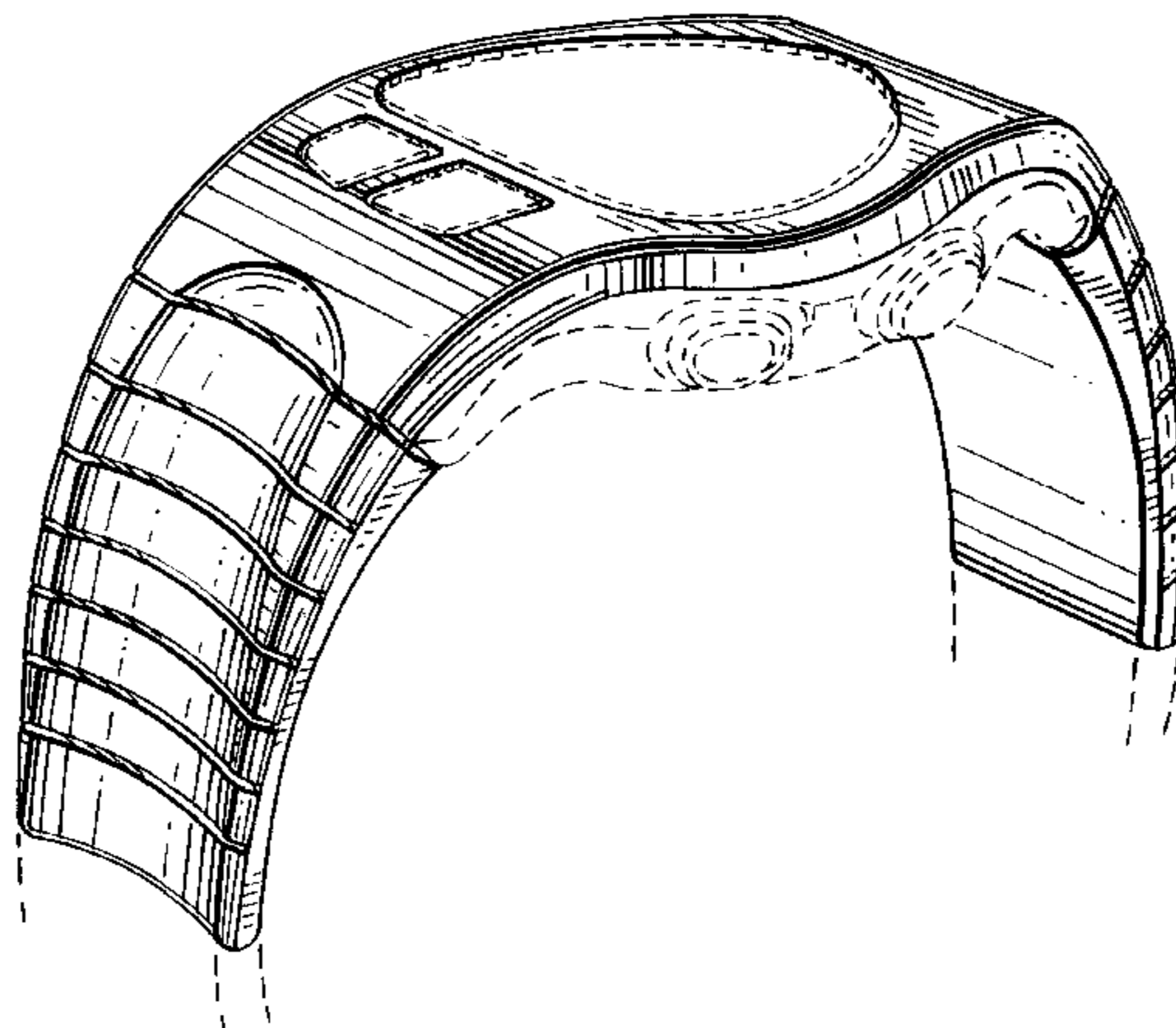
The end elevational view of this alternate embodiment being identical to FIG. 5;

The opposite end elevational view of the alternate embodiment is identical to FIG. 6 but for the feature that the shape of the openings to accommodate pushers of a watch used in combination therewith form no part of the invention;

The bottom plan view of this alternate embodiment being identical to the watch cover and strap of FIG. 7 but for the feature that the shape of the openings to accommodate the display and pushers of a watch used in combination therewith form no part of the invention.

The broken line(s) which define the bounds of the claimed design in FIG. 8 form no part thereof.

1 Claim, 5 Drawing Sheets



Des. 427,084

Page 2

U.S. PATENT DOCUMENTS		D. 363,234	10/1995	Morishima et al.	D10/38		
D. 360,835	8/1995	Sayama	D10/38	D. 386,694	11/1997	Houlihan	D10/30
				D. 410,854	6/1999	Cheung et al.	D10/39

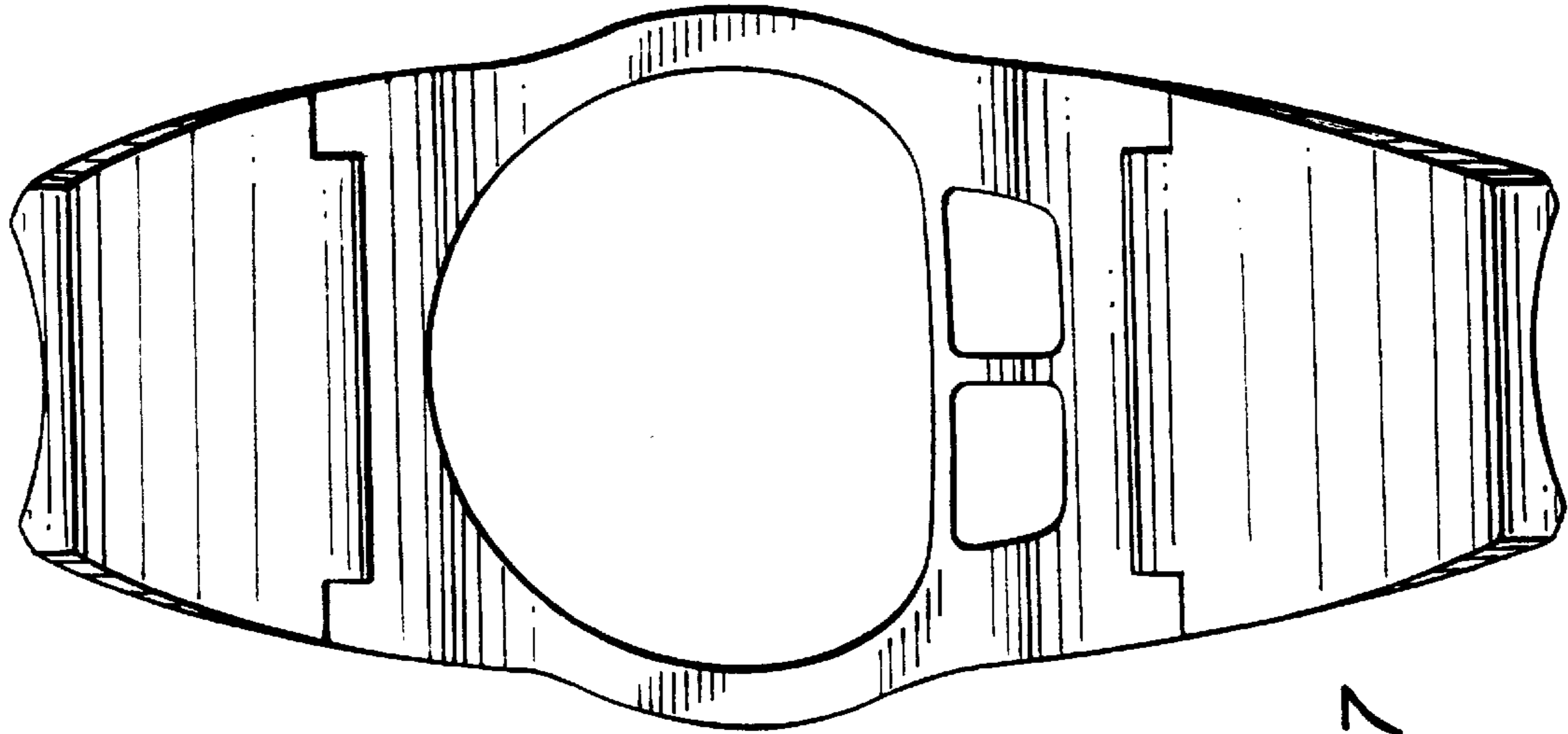
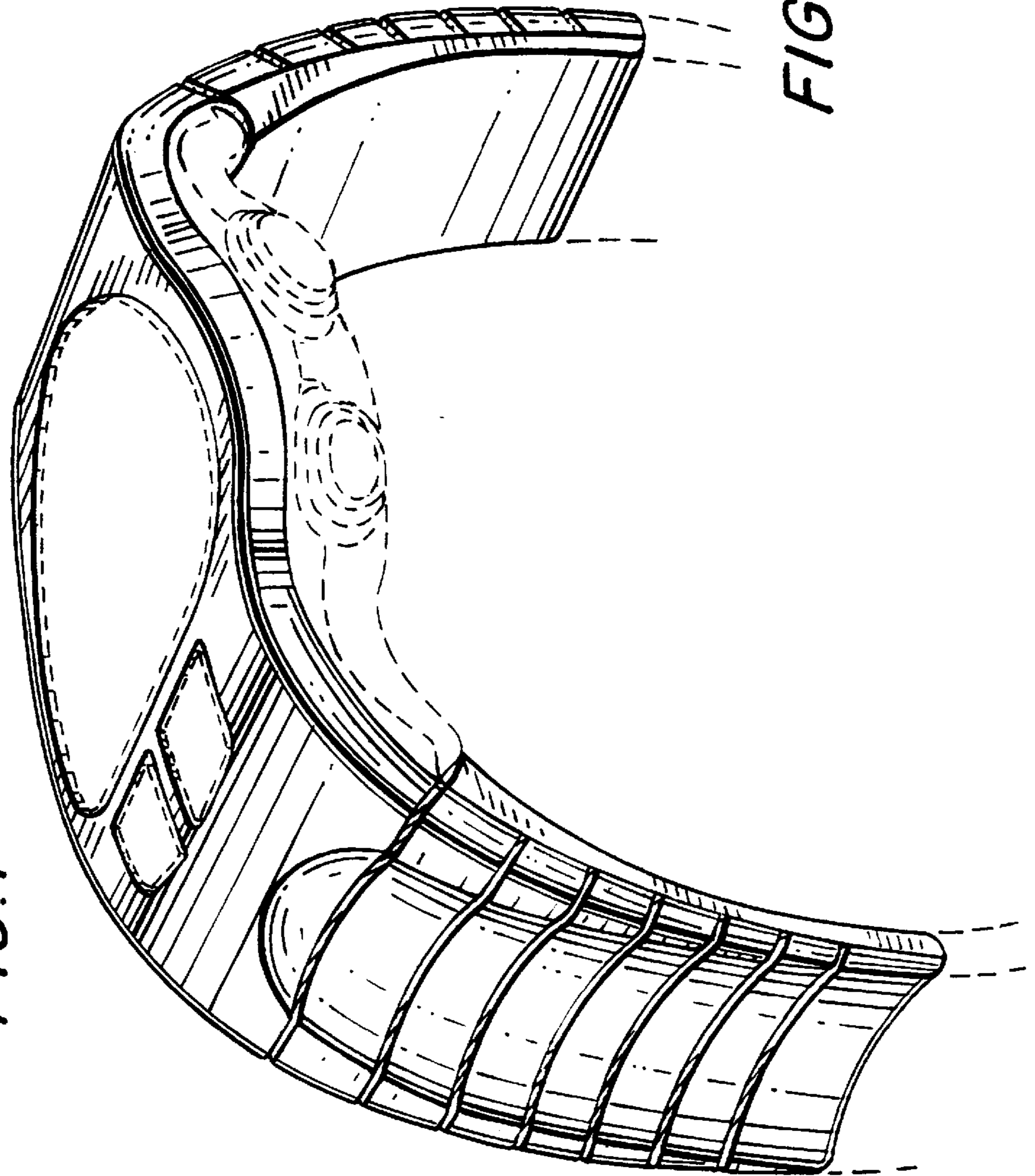


FIG. 7

FIG. 1



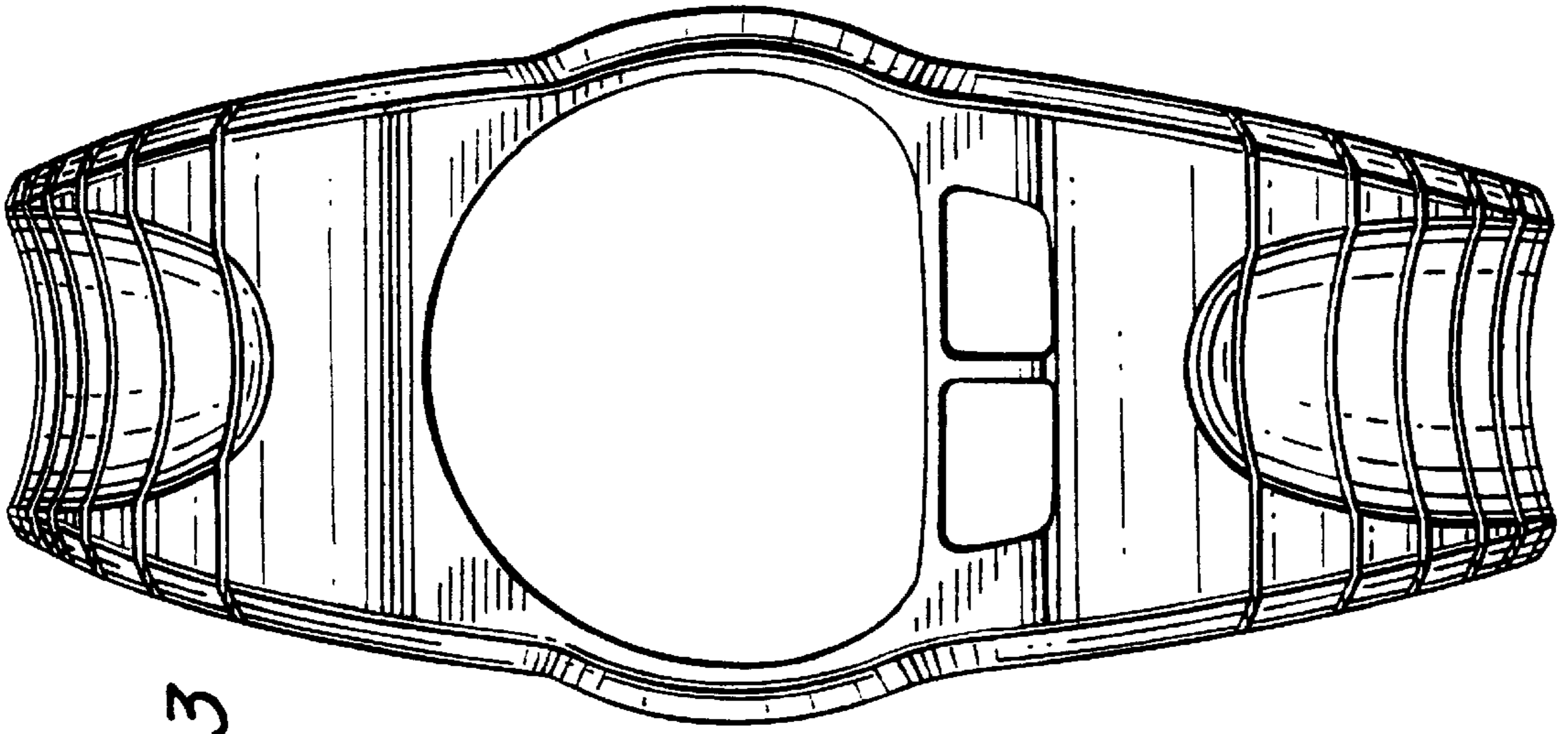


FIG. 3

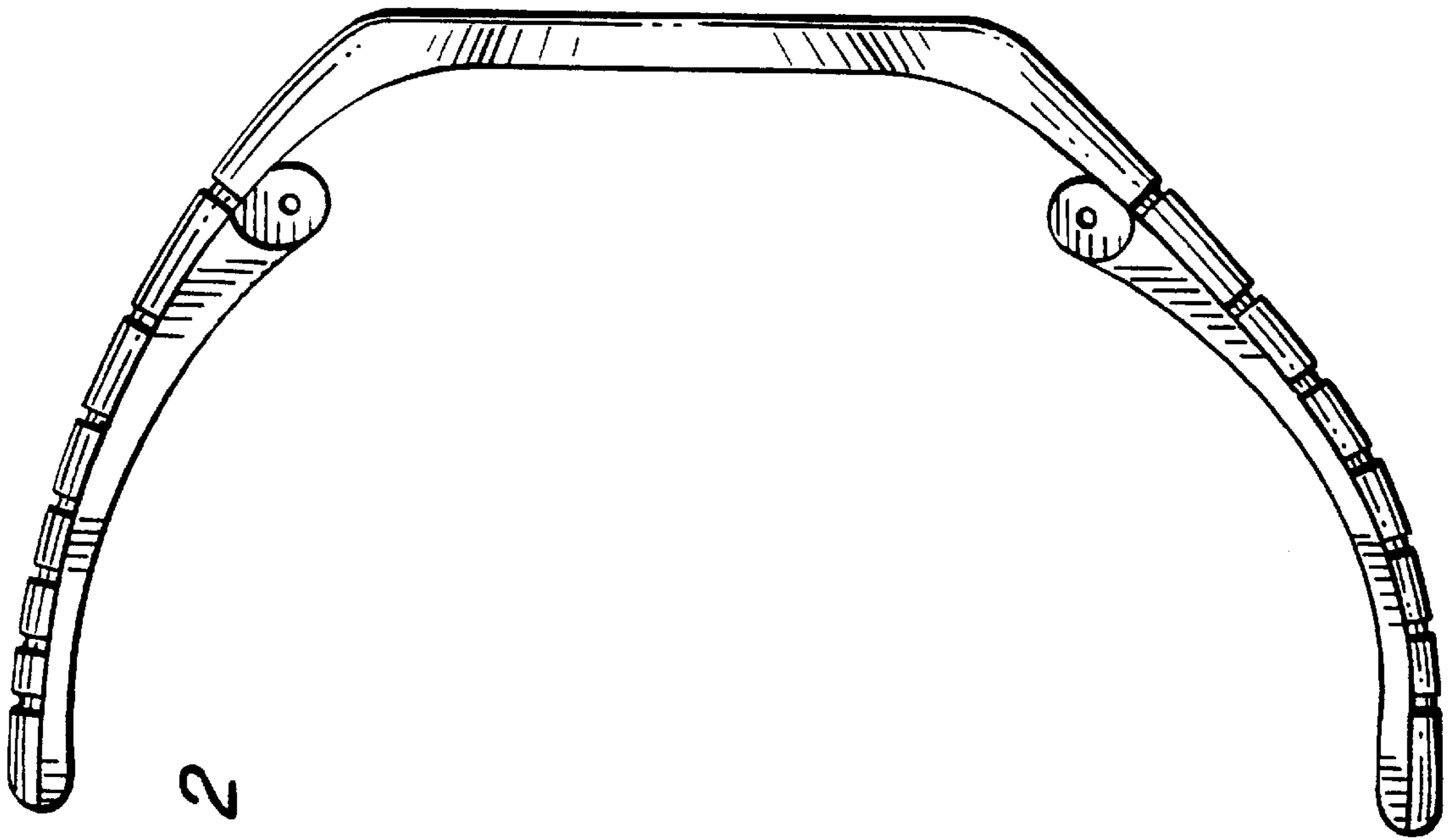
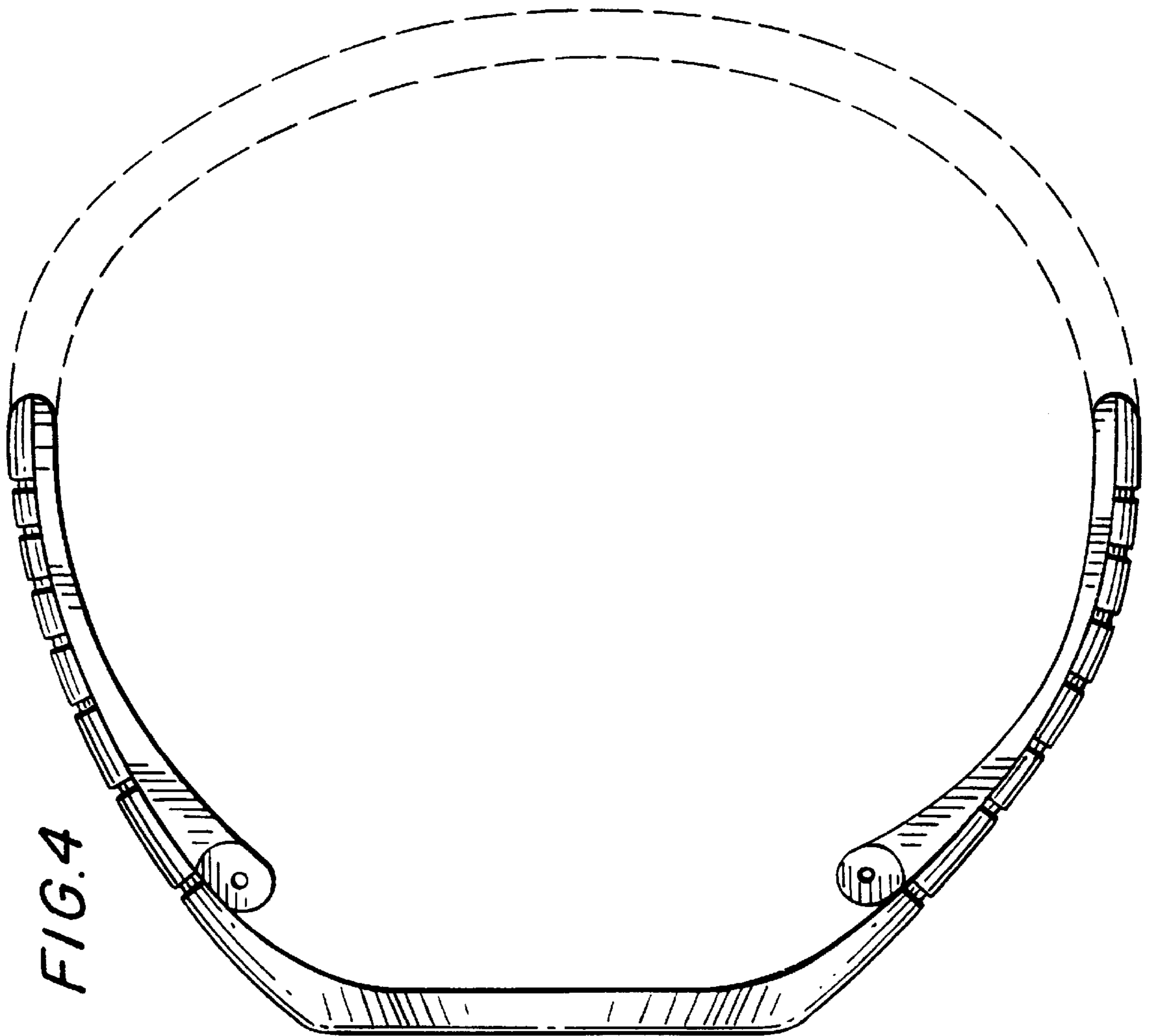


FIG. 2



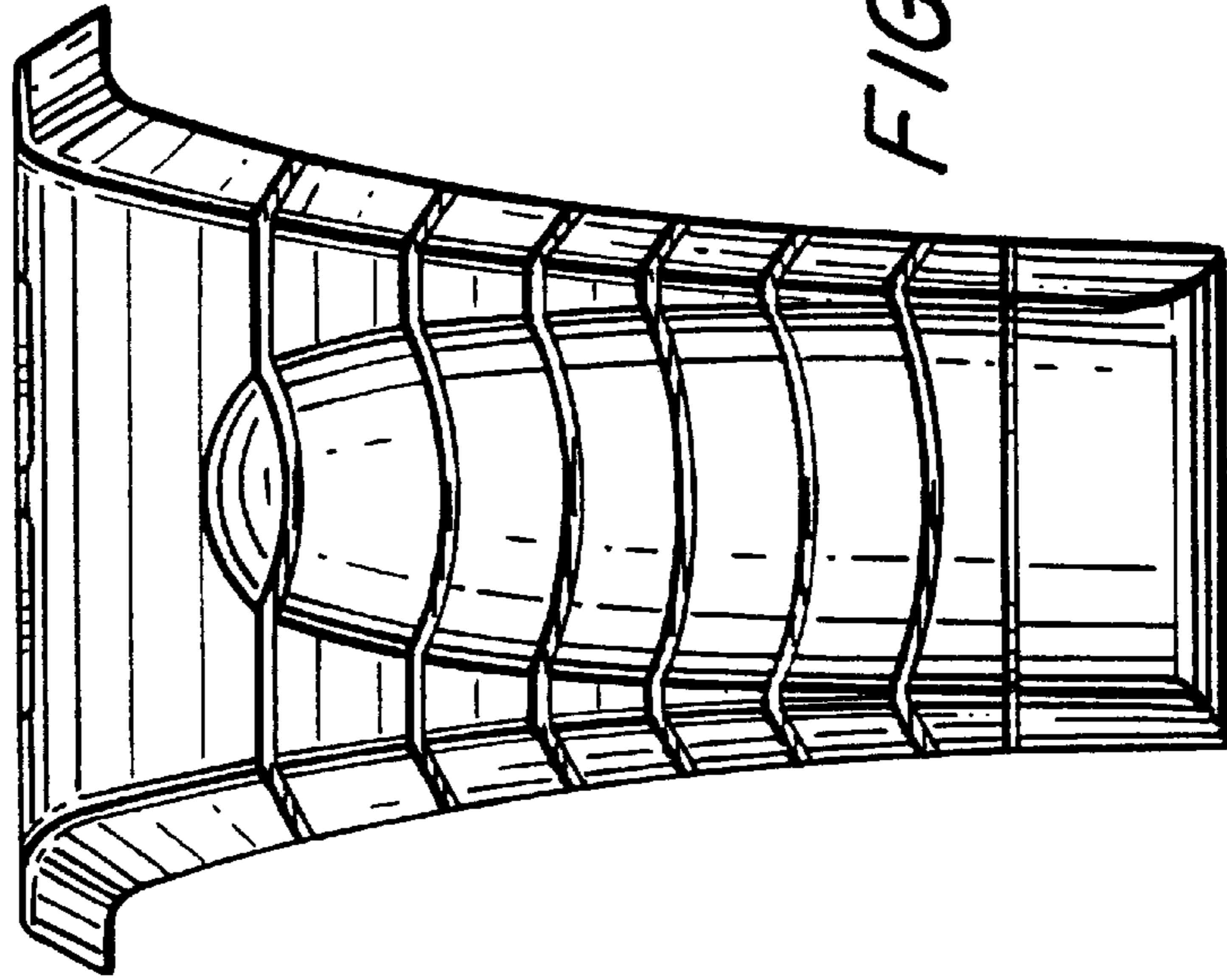


FIG. 6

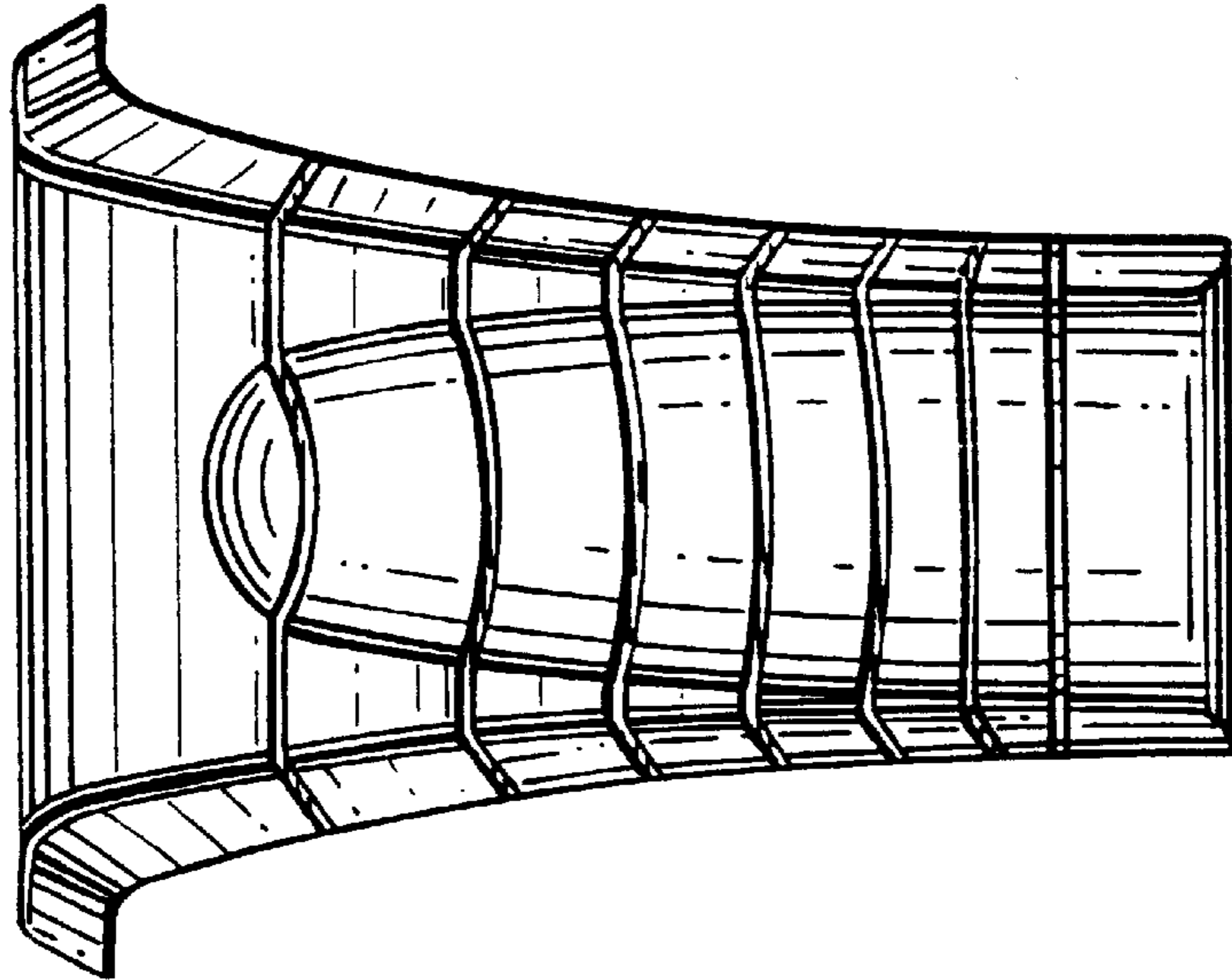


FIG. 5

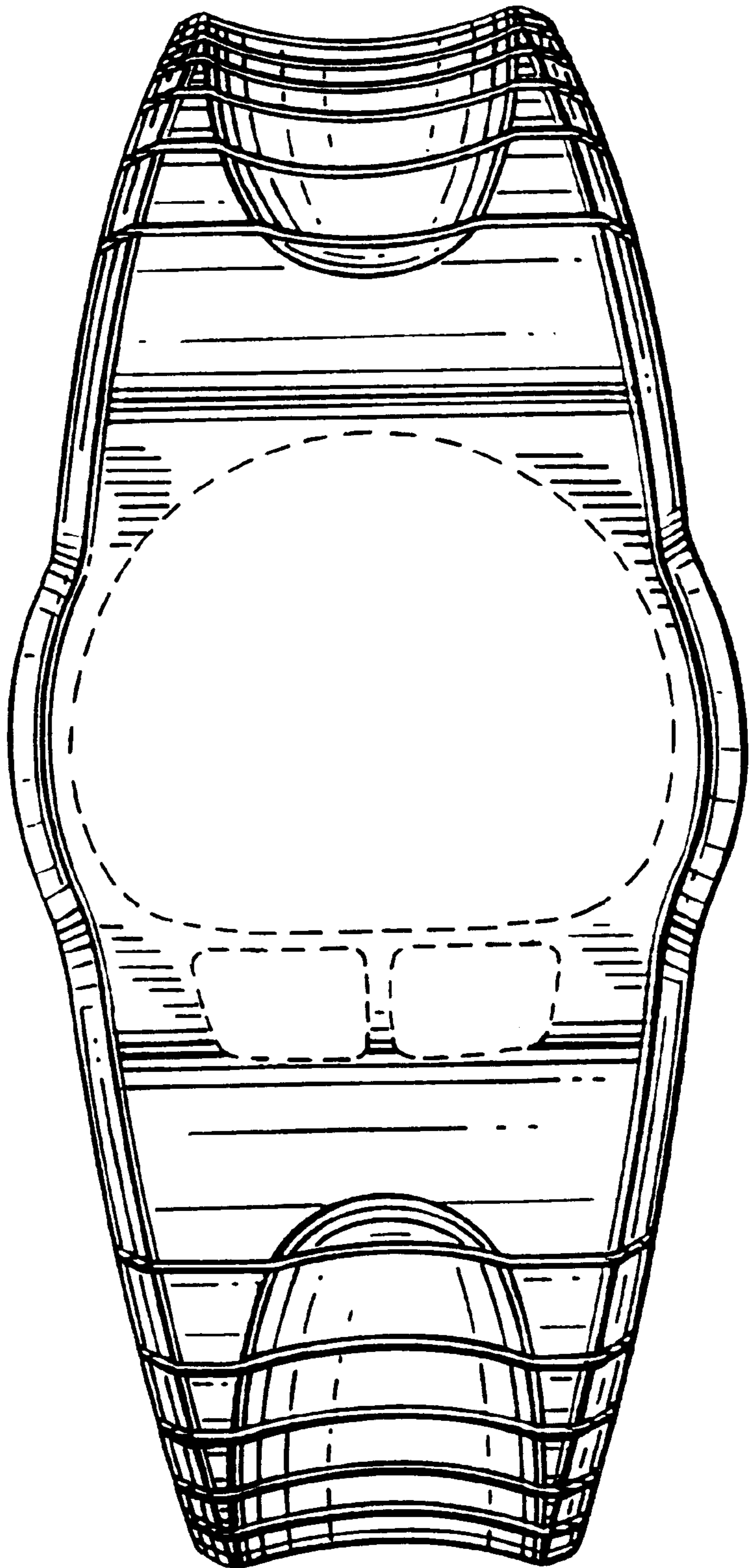


FIG. 8