



US00D427067S

United States Patent [19]

Miller et al.

[11] Patent Number: **Des. 427,067**

[45] Date of Patent: **** Jun. 27, 2000**

[54] **PORTION OF A BOTTLE**

[75] Inventors: **Brenda C. Miller**, Philadelphia, Pa.;
Beth Wilson, Mount Laurel, N.J.;
Kenneth D. Schwed, Exton, Pa.; **Jon K. Takseraas**, Darien, Conn.

[73] Assignee: **Campbell Soup Company**, Camden, N.J.

[**] Term: **14 Years**

[21] Appl. No.: **29/109,442**

[22] Filed: **Aug. 17, 1999**

- D. 214,973 8/1969 St. Amand .
- D. 224,202 7/1972 Boden .
- D. 224,383 7/1972 Mascia et al. .
- D. 227,873 7/1973 Stanley et al. .
- D. 240,352 6/1976 Caffy D9/552
- D. 248,834 8/1978 Morgan D9/554
- D. 270,710 9/1983 Pettengill .
- D. 277,647 2/1985 Lane D9/529
- D. 278,973 5/1985 Harris .
- D. 294,460 3/1988 Rogler .
- D. 294,463 3/1988 Lang .
- D. 295,379 4/1988 Rogler et al. .
- D. 295,609 5/1988 Papa .
- D. 300,805 4/1989 Rogler et al. .
- D. 307,710 5/1990 Mittleman .
- D. 308,484 6/1990 Browton .

Related U.S. Application Data

[62] Division of application No. 29/066,672, Feb. 13, 1997, Pat. No. Des. 412,845.

[51] **LOC (7) Cl.** **09-01**

[52] **U.S. Cl.** **D9/434; D9/537; D9/551; D9/554**

[58] **Field of Search** D9/554, 567, 307, D9/434, 537, 538, 539, 540, 552, 551, 564; 215/382, 383, 384

References Cited

U.S. PATENT DOCUMENTS

- D. 67,219 5/1925 Miller .
- D. 93,297 9/1934 Steelman .
- D. 105,574 8/1937 Drossner .
- 114,775 5/1871 Davison .
- D. 116,173 8/1939 Steelman .
- D. 120,663 5/1940 D'Addario .
- D. 139,378 11/1944 Coleman D9/554
- D. 160,407 10/1950 McIntosh .
- D. 170,298 9/1953 Barbee D9/554
- D. 195,230 5/1963 Dubbs .
- D. 196,149 8/1963 Knies .
- D. 199,151 9/1964 Schnur et al. .
- D. 201,587 7/1965 Roberts D9/538
- D. 207,923 6/1967 Koenigsberg .
- D. 209,020 10/1967 Shepler D9/551
- D. 211,509 6/1968 Vanderhyde .
- D. 214,427 6/1969 Kassin .

(List continued on next page.)

OTHER PUBLICATIONS

Glass Packaging, Oct. 1963, p. 12, "Upper 10" Bottle Oct. 1963.

Primary Examiner—Lucy Lieberman
Attorney, Agent, or Firm—Banner & Witcoff, Ltd.

[57] CLAIM

The ornamental design for a portion of a bottle, as shown and described.

DESCRIPTION

FIG. 1 is a front elevational view of a portion of a bottle showing our new design;

FIG. 2 is a side elevational view of a right side of the portion of a bottle of FIG. 1;

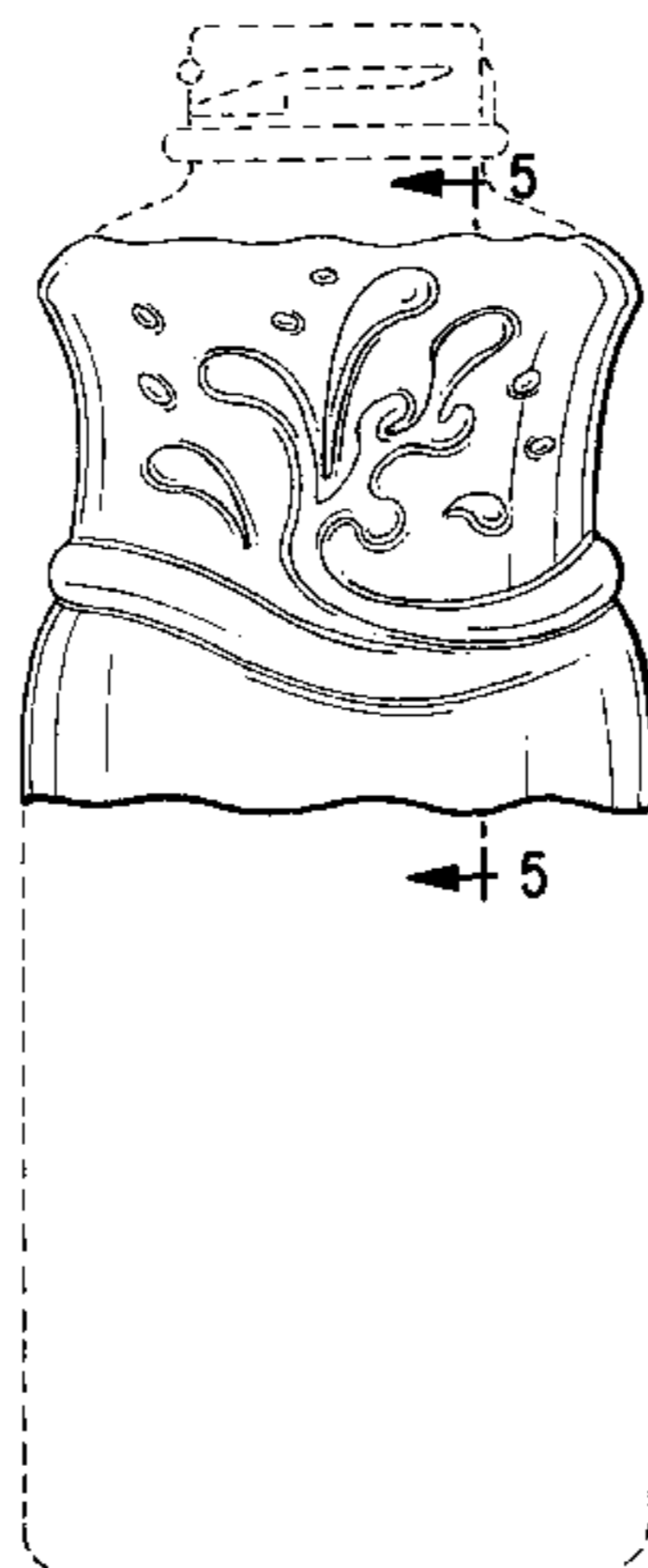
FIG. 3 is a side elevational view of a left side of the portion of a bottle of FIG. 1;

FIG. 4 is a top perspective view of the portion of a bottle of FIG. 1; and,

FIG. 5 is a cross-sectional view of the portion of a bottle of FIG. 1 taken along line 5—5 in FIG. 1.

The broken line showing of the remainder of the bottle in FIGS. 1—5 is for illustrative purposes only and forms no part of the claimed design.

1 Claim, 2 Drawing Sheets



U.S. PATENT DOCUMENTS

D. 309,711	8/1990	Biesecker .	5,054,632	10/1991	Alberghini et al. .
D. 313,930	1/1991	Martin .	5,178,289	1/1993	Krishnakumar et al. .
D. 318,799	8/1991	York .	5,178,290	1/1993	Ota et al. .
D. 347,996	6/1994	Marriage .	5,226,538	7/1993	Roselle .
D. 348,006	6/1994	Feen .	5,269,428	12/1993	Gilbert .
D. 348,007	6/1994	Feen .	5,303,833	4/1994	Hayashi et al. .
D. 370,178	5/1996	Petre et al. .	5,303,834	4/1994	Krishnakumar et al. .
D. 370,634	6/1996	Mero et al. .	5,310,068	5/1994	Saghri .
D. 374,397	10/1996	Mahlmann et al. .	5,337,909	8/1994	Vaillencourt .
D. 374,826	10/1996	Mackinson et al. .	5,341,946	8/1994	Vaillencourt et al. .
840,105	1/1907	Blocki .	5,370,250	12/1994	Gilbert .
4,877,141	10/1989	Hayashi et al. .	5,407,086	4/1995	Ota et al. .
			5,560,943	10/1996	Mero et al. .

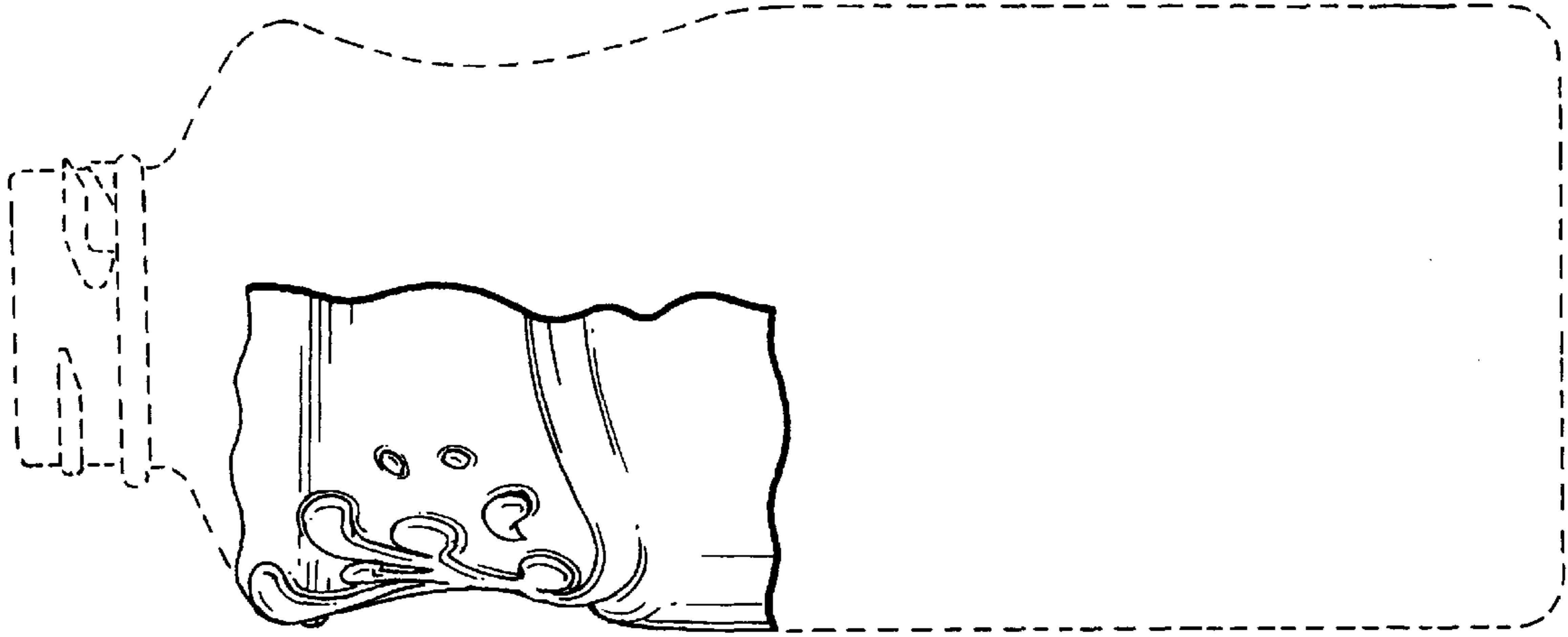


FIG. 2

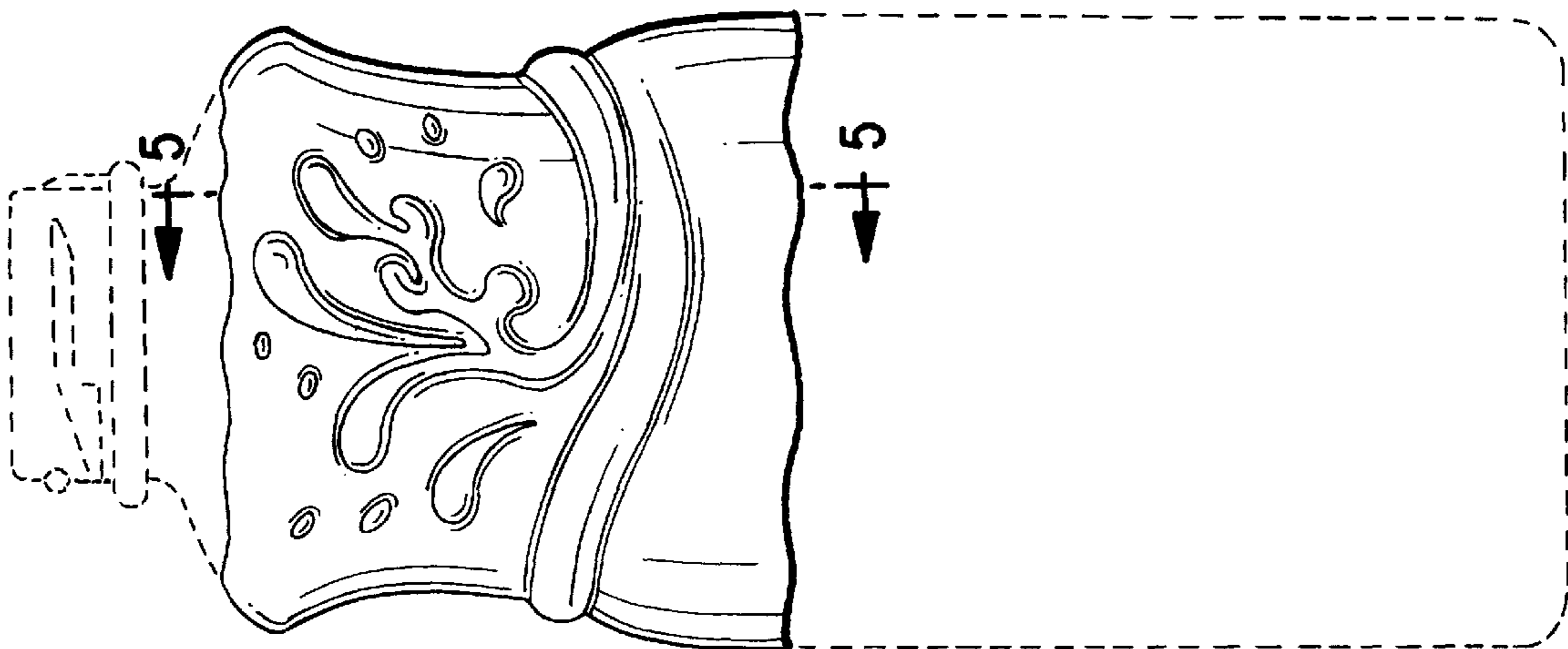


FIG. 1

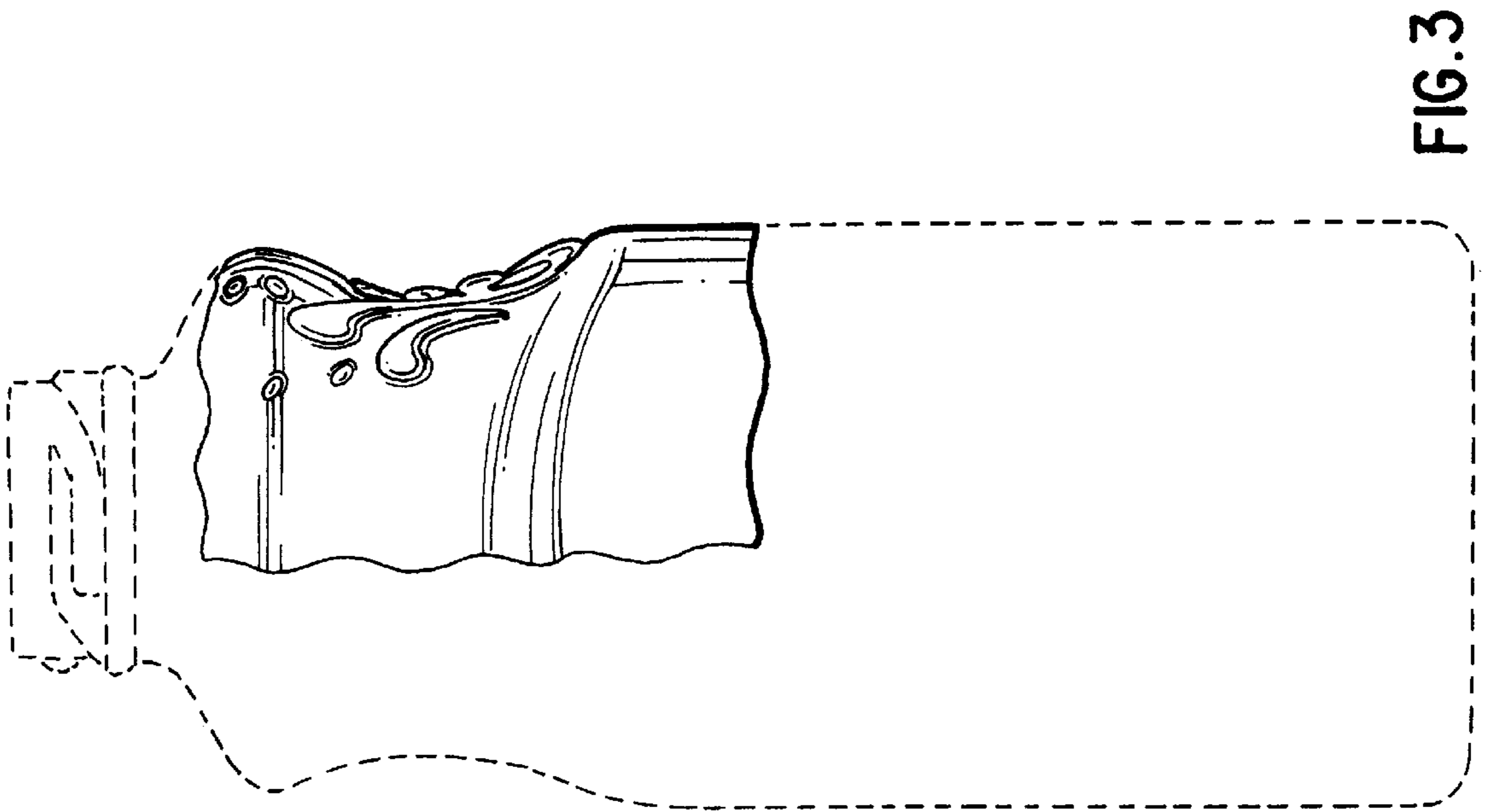


FIG. 3

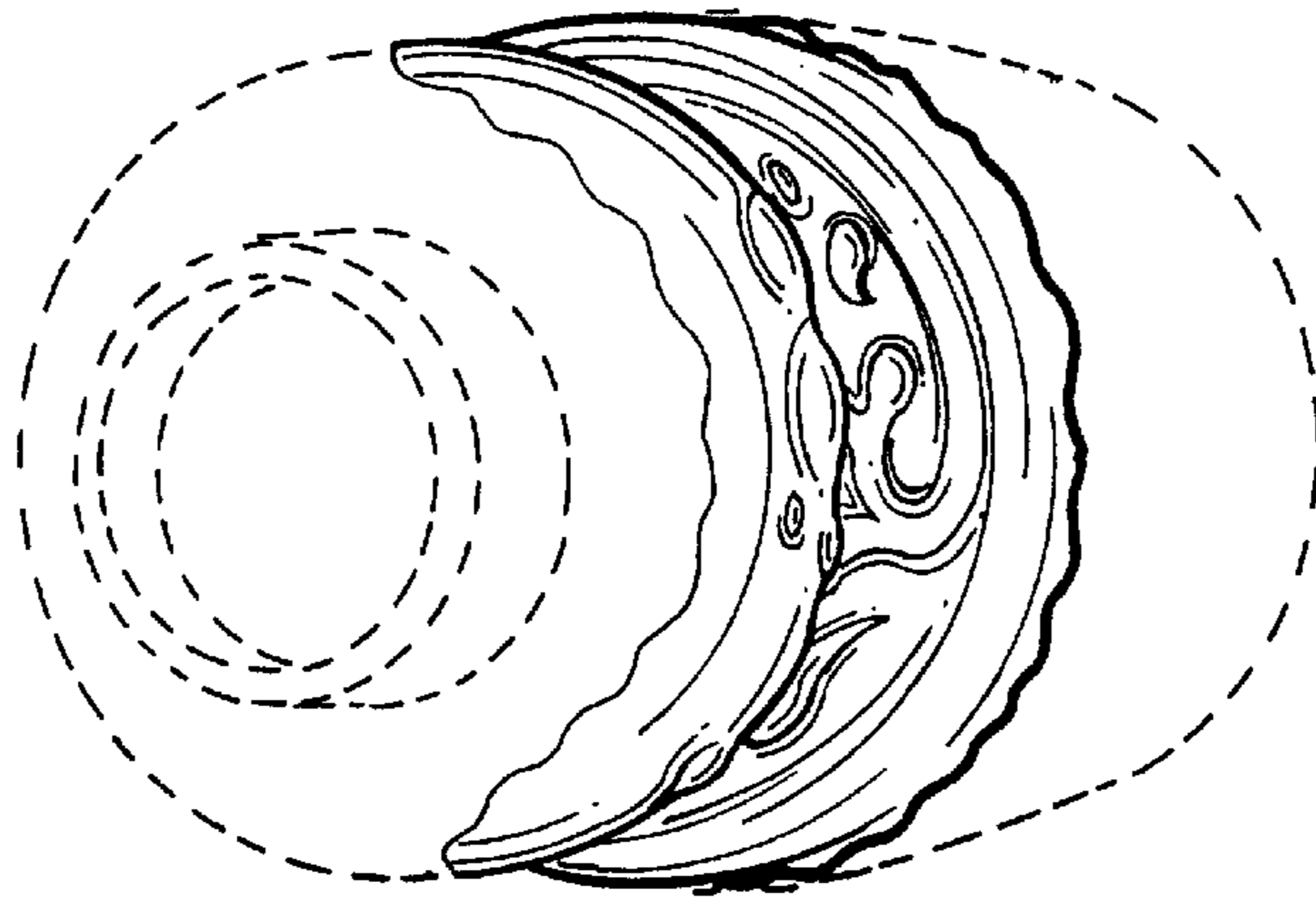


FIG. 4



FIG. 5