



US00D427062S

# United States Patent [19]

Alvarez et al.

[11] Patent Number: **Des. 427,062**

[45] Date of Patent: **\*\* Jun. 27, 2000**

[54] CONTAINER

[75] Inventors: **Cristobal Alvarez**, Trumbull, Conn.;  
**John Lubbers**, Cortlandt Manor, N.Y.;  
**Martin Hornecker**, New Fairfield,  
Conn.

[73] Assignee: **Bayer Corporation**, Tarrytown, N.Y.

[\*\*] Term: **14 Years**

[21] Appl. No.: **29/083,076**

[22] Filed: **Feb. 4, 1998**

[51] LOC (7) Cl. .... **09-07**

[52] U.S. Cl. .... **D9/424; D9/417**

[58] Field of Search ..... D9/416, 417, 424,  
D9/414, 432, 337; D7/622; 229/125.09,  
125.11, 125.42, 117.23, 137, 138, 106;  
220/661

[56] **References Cited**

**U.S. PATENT DOCUMENTS**

- D. 307,867 3/1990 Lewis ..... D9/424
- D. 321,320 11/1991 Halm ..... D9/417 X
- D. 328,431 8/1992 Skidmore et al. .... D9/417 X

- D. 340,642 10/1993 Detzel et al. .... D9/432
- D. 378,571 3/1997 Bastow ..... D9/417
- 3,138,315 6/1964 Morrow ..... 229/125.15 X
- 4,590,078 5/1986 Umina ..... 220/366 X
- 4,830,273 5/1989 Kalberer et al. .... 229/125.42 X
- 4,971,243 11/1990 Lisiecki ..... 229/125.15
- 5,069,385 12/1991 Farber ..... 229/125.42 X

*Primary Examiner*—Prabhakar Deshmukh  
*Attorney, Agent, or Firm*—Andrew L. Klawitte, Esq.;  
Rodman & Rodman

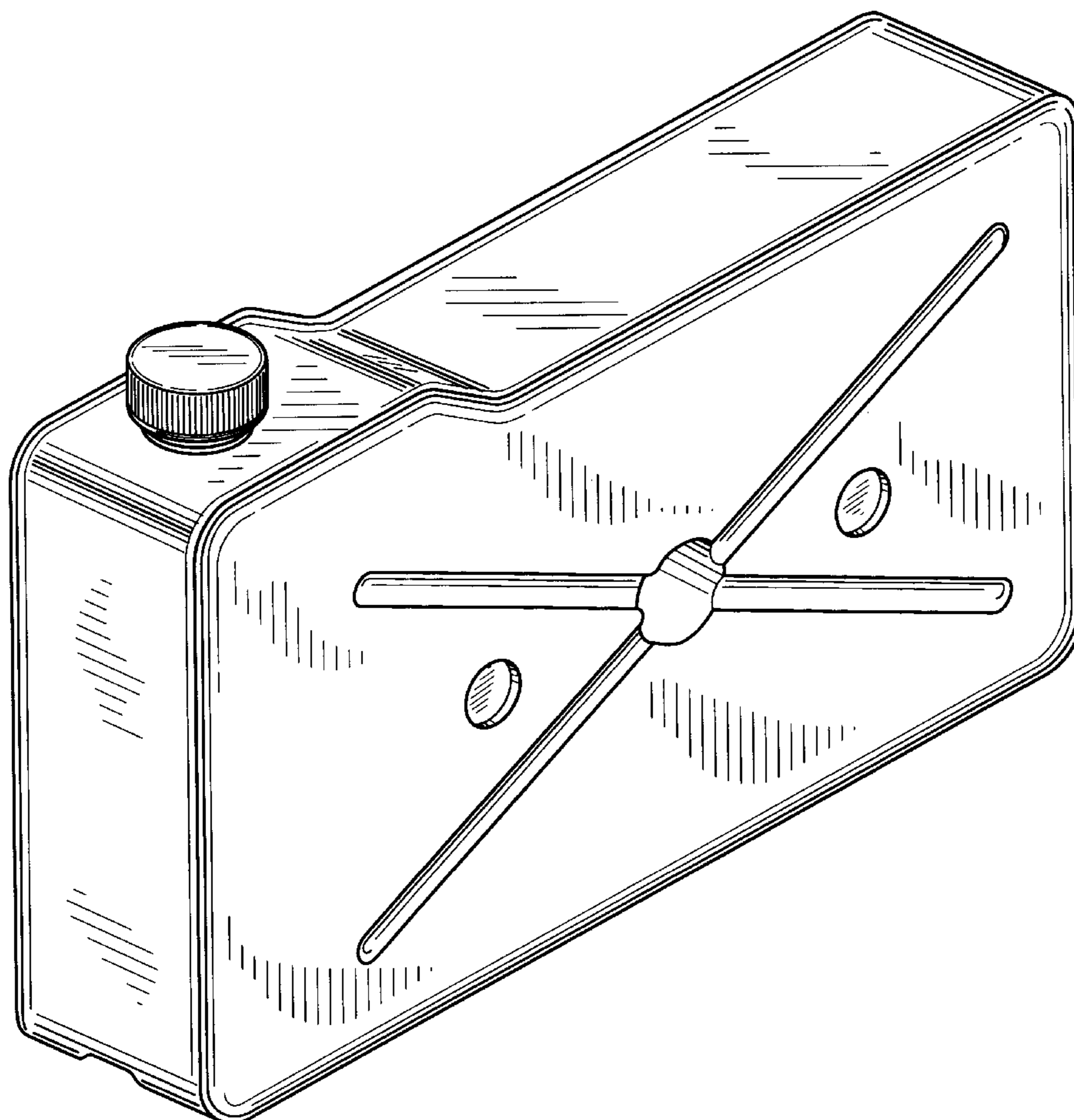
[57] **CLAIM**

The ornamental design for a container, as shown and described.

**DESCRIPTION**

FIG. 1 is a front perspective view of the container showing our new design;  
FIG. 2 is a front elevational view thereof;  
FIG. 3 is a rear elevational view thereof;  
FIG. 4 is an end view thereof;  
FIG. 5 is an opposite end view thereof;  
FIG. 6 is a top view thereof; and,  
FIG. 7 is a bottom view thereof.

**1 Claim, 5 Drawing Sheets**



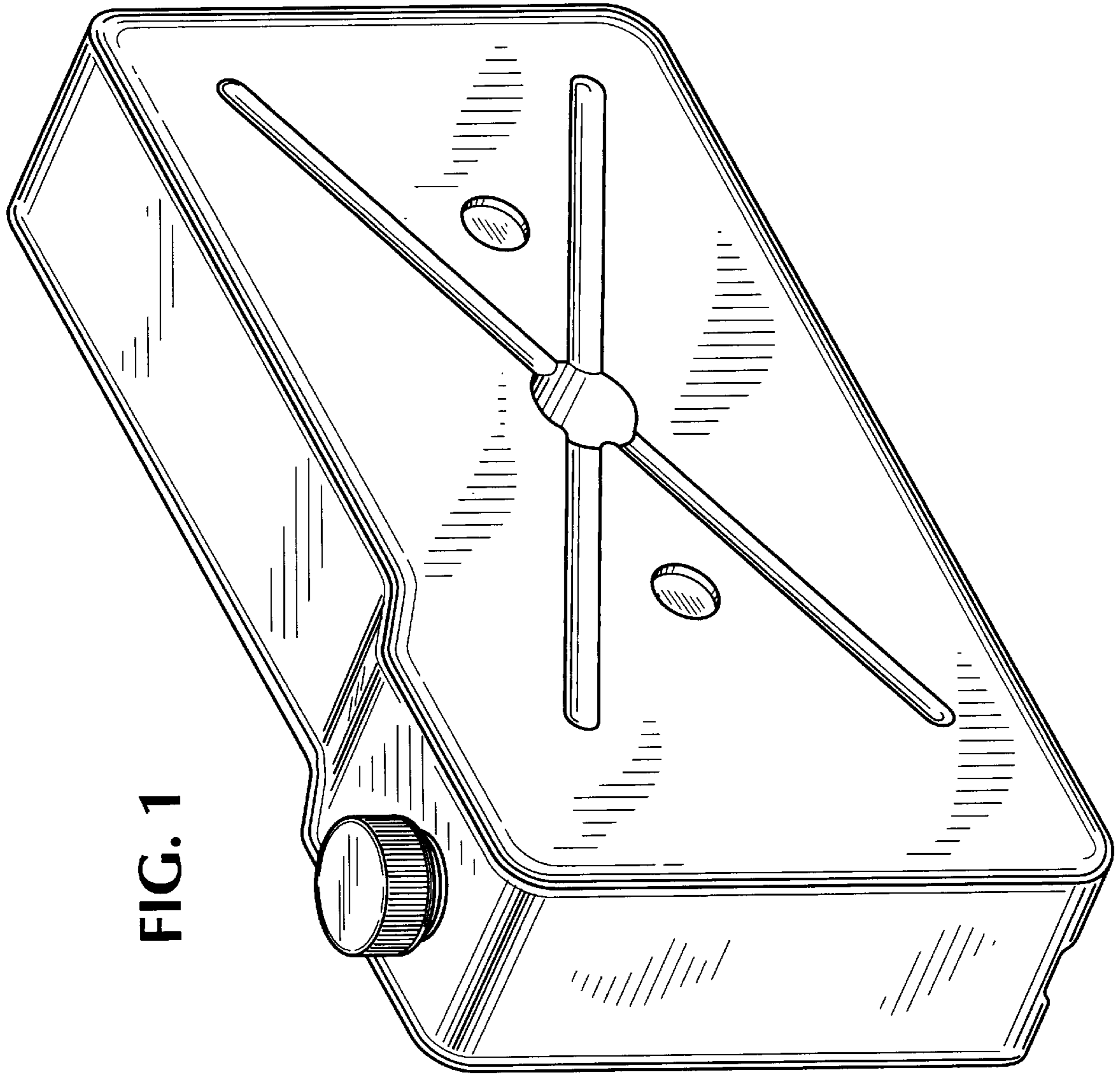
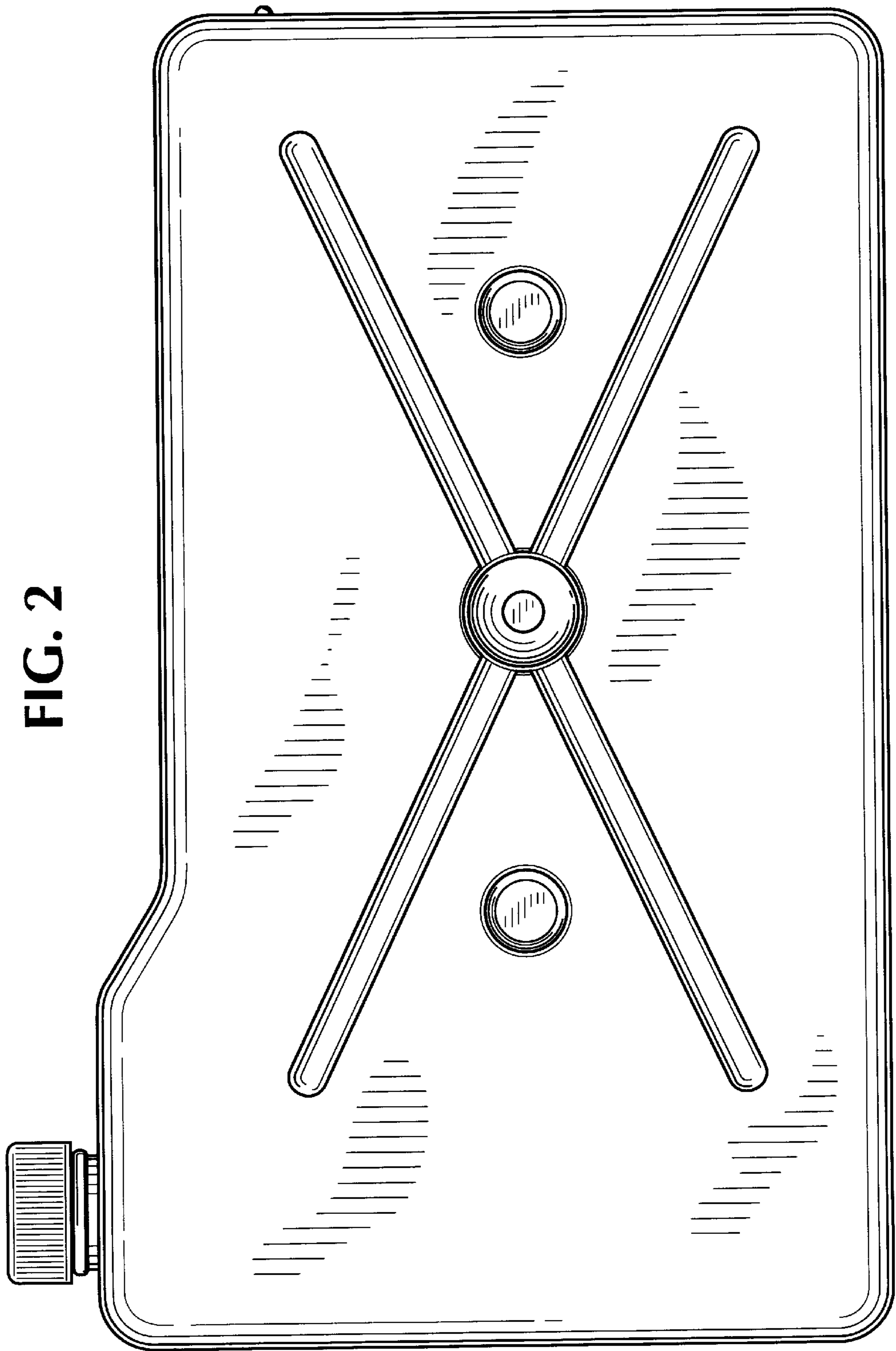


FIG. 1



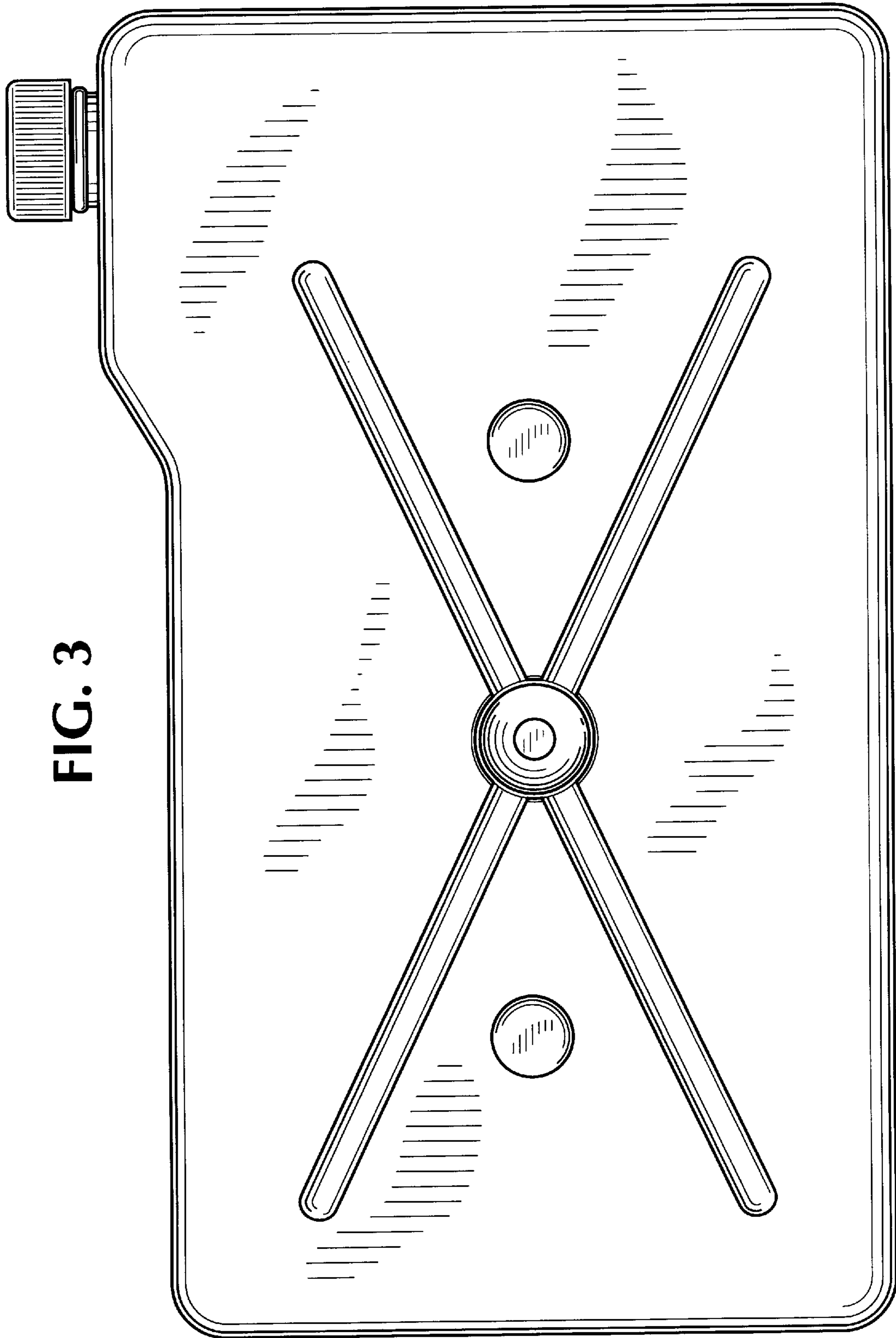


FIG. 3

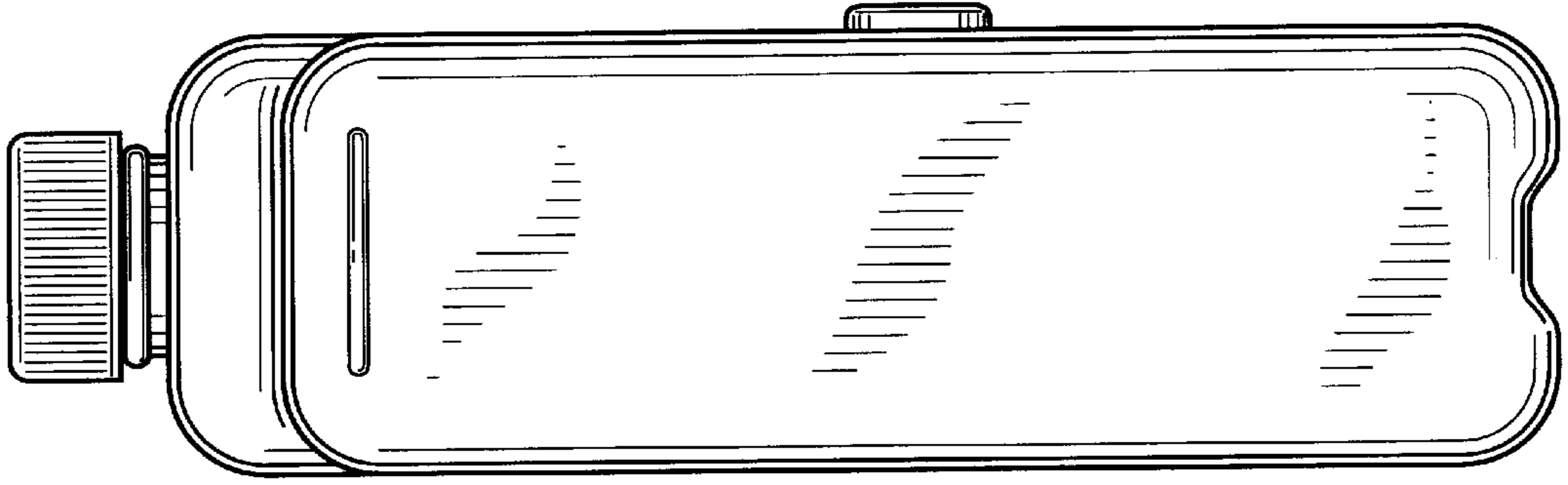


FIG. 5

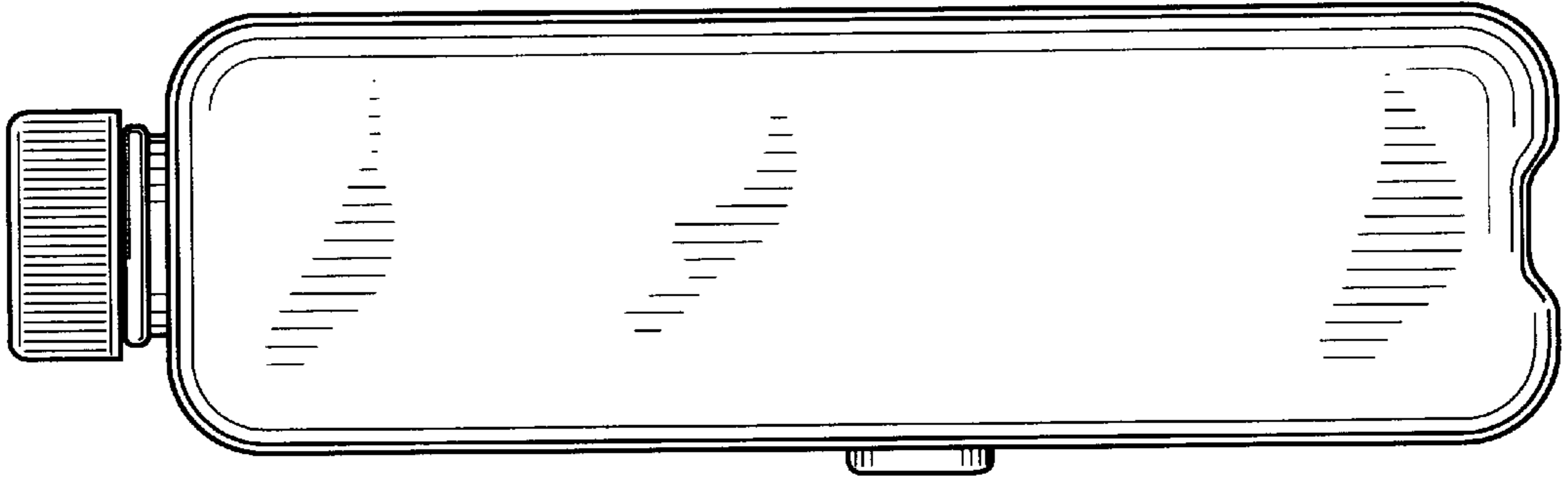


FIG. 4

FIG. 6

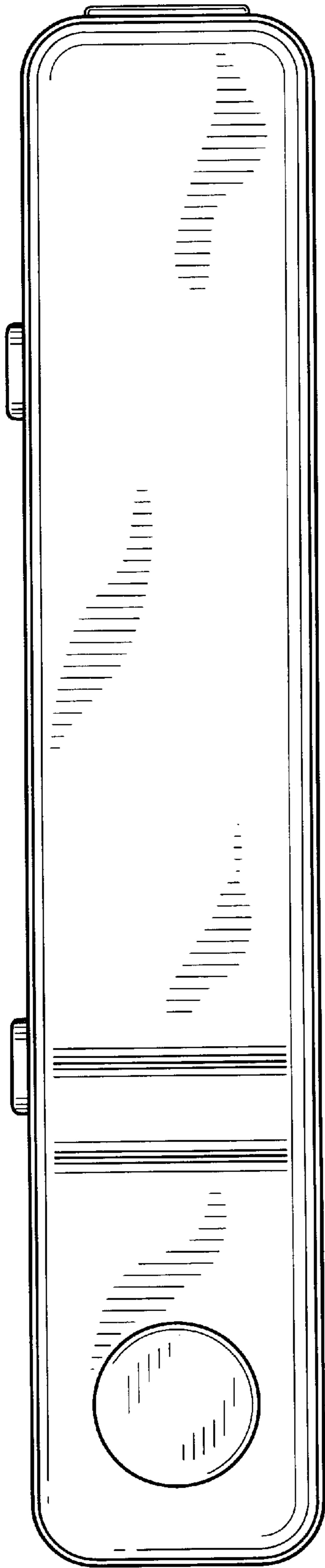


FIG. 7

