



US00D427061S

**United States Patent** [19]  
**Niksich**

[11] **Patent Number: Des. 427,061**  
[45] **Date of Patent: \*\* Jun. 27, 2000**

[54] **TRANSPARENT PLASTIC PACKAGING  
BLISTER**

4,469,226 9/1984 Matney ..... 206/470  
5,325,961 7/1994 Ford et al. .... 206/471 X

[76] Inventor: **Gene Niksich**, 840 McFarland Rd.,  
Alpharetta, Ga. 30004

[\*\*] Term: **14 Years**

[21] Appl. No.: **29/108,130**

[22] Filed: **Jul. 21, 1999**

[51] **LOC (7) Cl.** ..... **09-07**

[52] **U.S. Cl.** ..... **D9/415**

[58] **Field of Search** ..... D9/415, 418, 414,  
D9/337, 346; 206/461-471, 806, 495, 769-773

[56] **References Cited**

**U.S. PATENT DOCUMENTS**

D. 322,030 12/1991 Chumentti ..... D9/415  
D. 355,600 2/1995 Ford ..... D9/415  
D. 371,071 6/1996 Ford ..... D9/415  
4,249,659 2/1981 Schirmer ..... 206/471  
4,278,693 7/1981 Dingethal et al. .... 206/461 X

**OTHER PUBLICATIONS**

Modern Packaging, p. 300, Jan. 1941.  
Techform Inc. (From 206/461 Shoe), Jan. 1941.

*Primary Examiner*—Prabhakar Deshmukh  
*Attorney, Agent, or Firm*—Norman B. Rainer

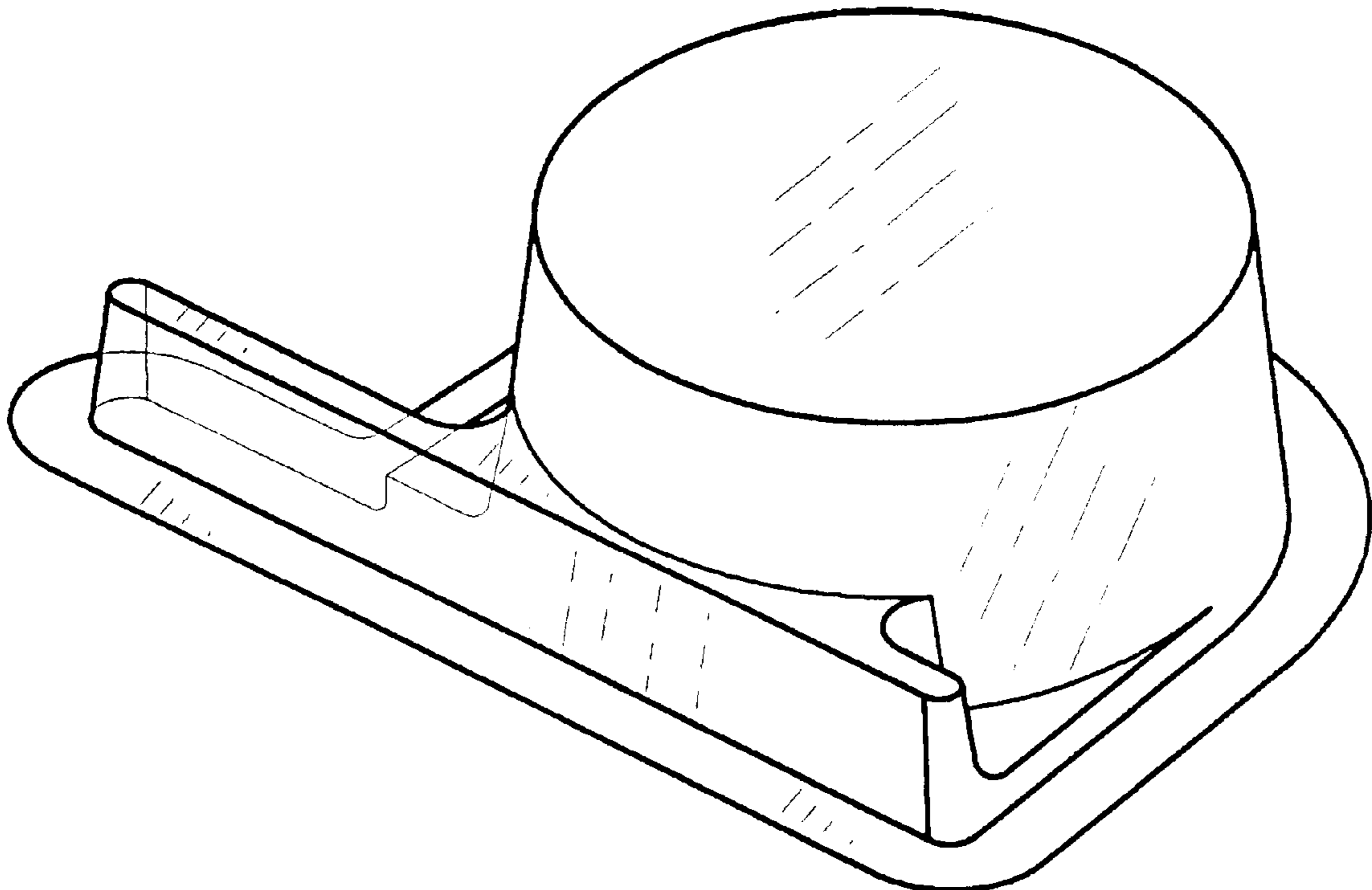
[57] **CLAIM**

The ornamental design for a transparent plastic packaging blister, as shown and described.

**DESCRIPTION**

FIG. 1 is a left side and top perspective view of a transparent plastic packaging blister, showing my new design;  
FIG. 2 is a top plan view thereof;  
FIG. 3 is an end view thereof, the unshown opposite end being of identical appearance;  
FIG. 4 is a right side view thereof; and,  
FIG. 5 is a left side view thereof.

**1 Claim, 1 Drawing Sheet**



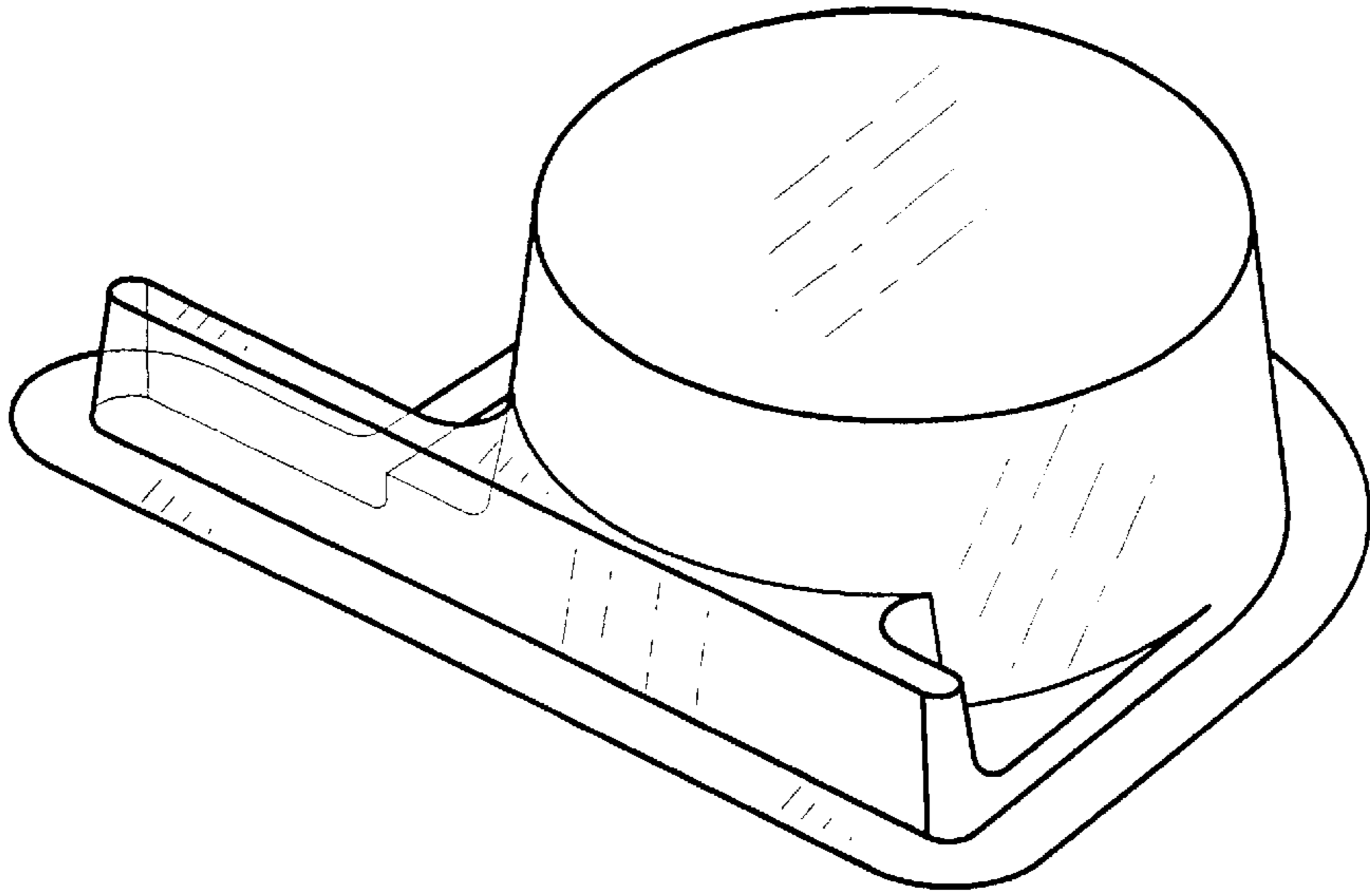


FIG. 1

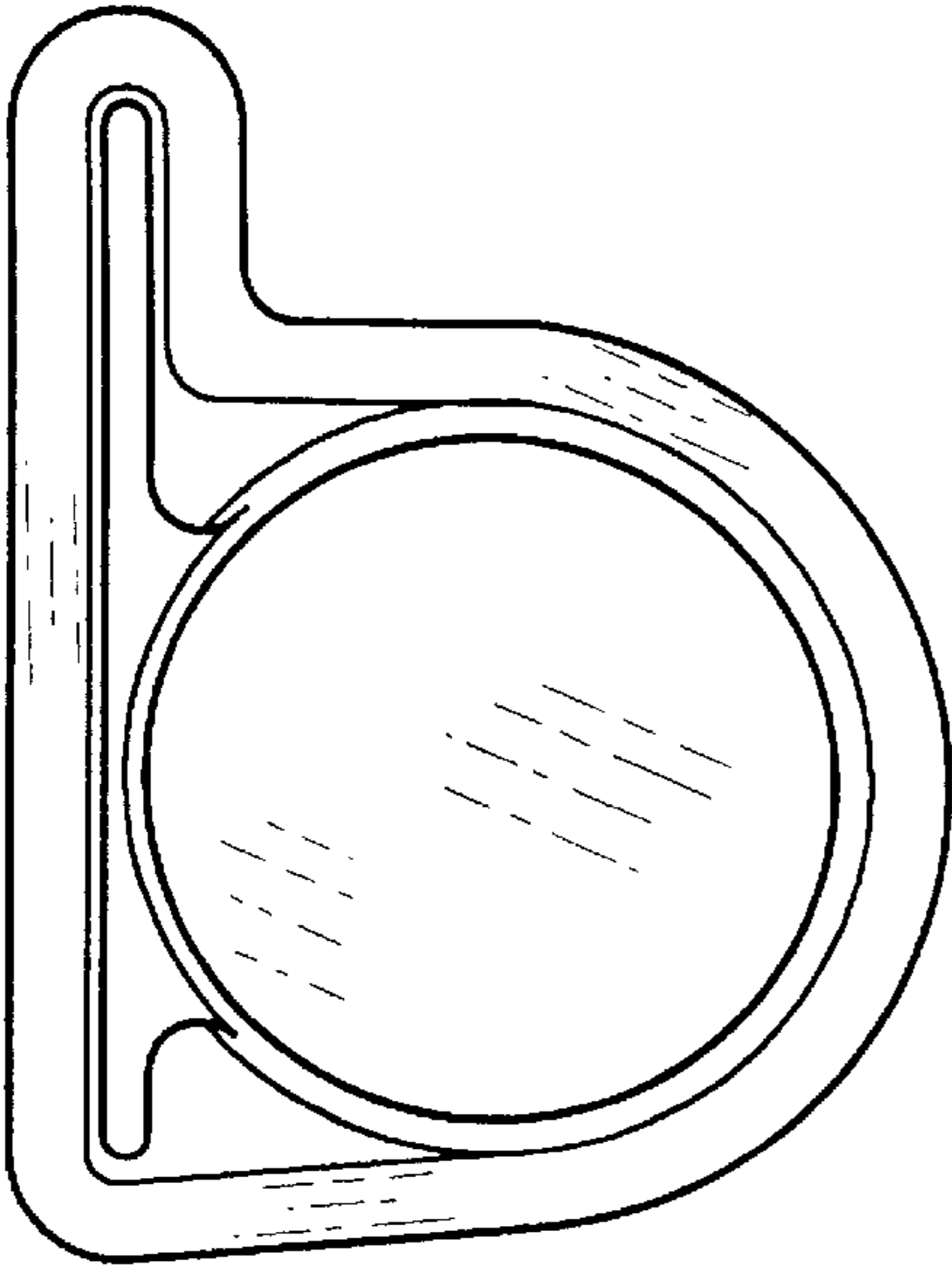


FIG. 2

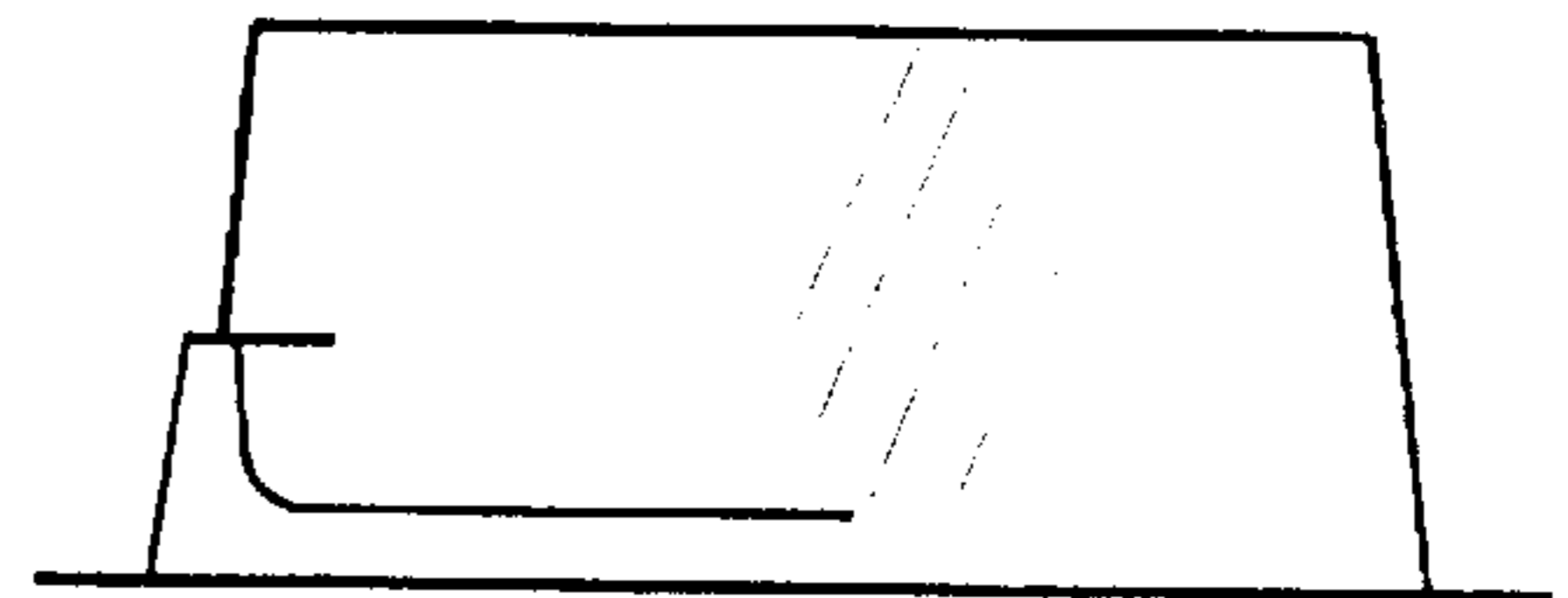


FIG. 3

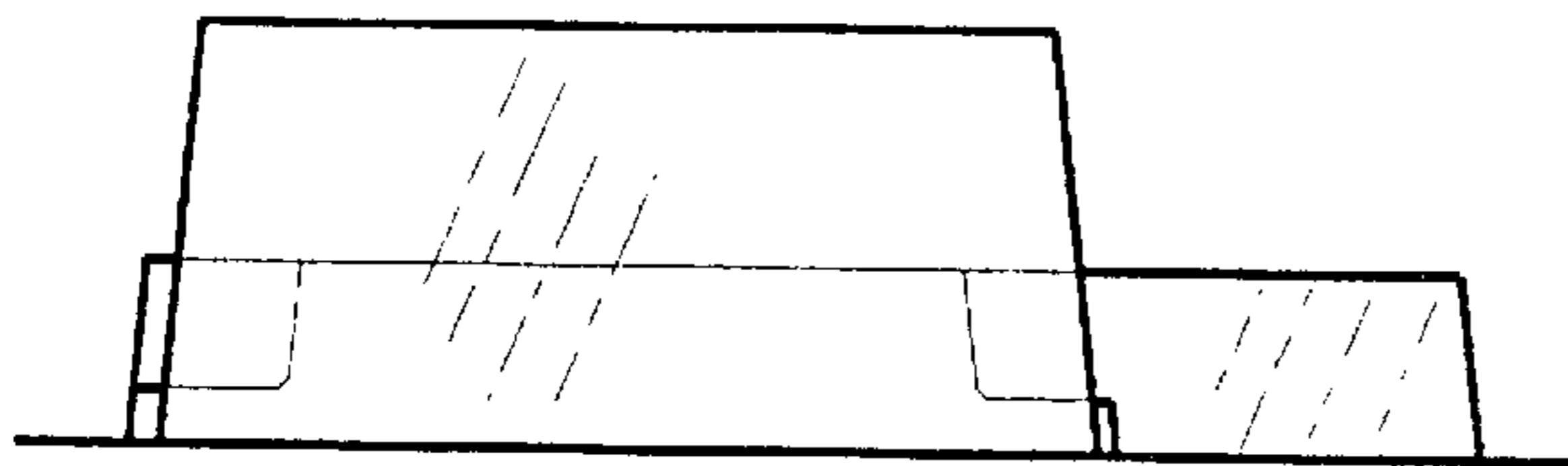


FIG. 4

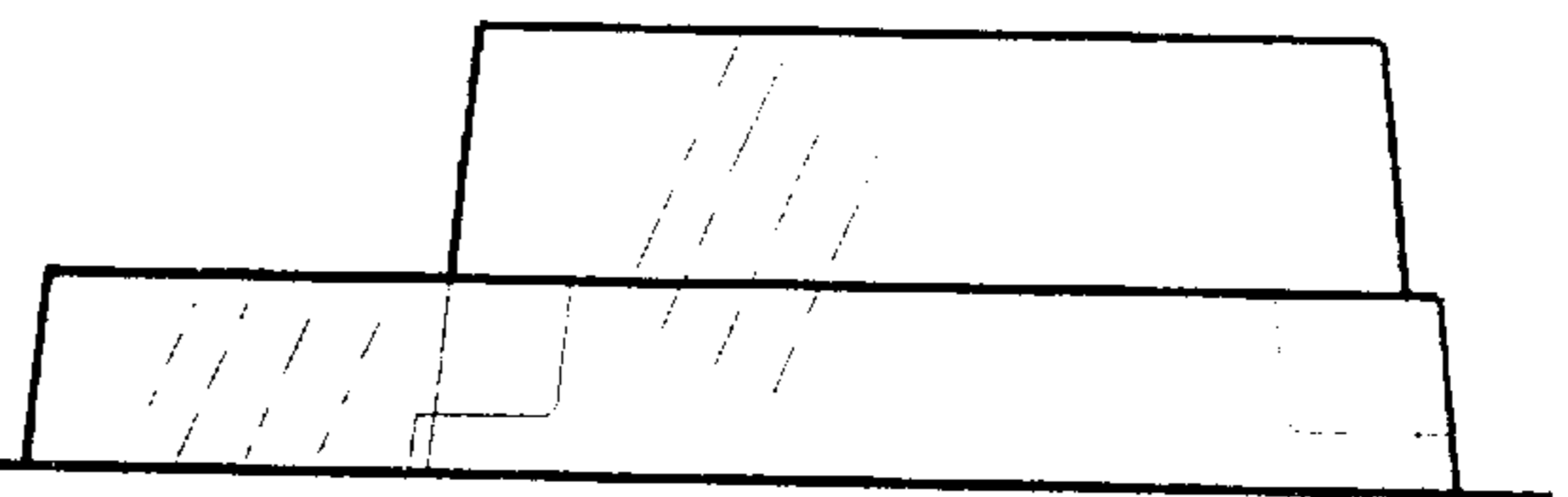


FIG. 5