



US00D427060S

United States Patent [19] Lluch

[11] **Patent Number: Des. 427,060**

[45] **Date of Patent: ** Jun. 27, 2000**

[54] **CONFECTION DISPENSER**

[76] Inventor: **Alex A. Lluch**, 5181 Ave. Playa
Cancun, San Diego, Calif. 92124

[**] Term: **14 Years**

[21] Appl. No.: **29/035,737**

[22] Filed: **Mar. 6, 1995**

[51] **LOC (7) Cl. 09-01**

[52] **U.S. Cl. D9/339; D7/628; D9/328;
D14/163**

[58] **Field of Search D9/339, 328, 422,
D9/341, 417, 337; D17/24; D14/160-167,
170, 171, 192-198; D21/112; 206/457;
221/24; D7/628, 629**

[56] **References Cited**

U.S. PATENT DOCUMENTS

D. 138,472	8/1944	Gerson	D9/328
D. 157,011	1/1950	Stough	D9/328
D. 249,469	9/1978	Russert	D9/423
D. 249,471	9/1978	Stern	D9/423
D. 249,932	10/1978	Russert	D9/417
D. 249,933	10/1978	Stern	D9/417
D. 277,474	2/1985	Miura	D17/24 X
D. 311,006	10/1990	Hino et al.	D21/112 X
D. 312,637	12/1990	Gato et al.	D14/163
D. 347,429	5/1994	Kanatani et al.	D14/163
D. 359,232	6/1995	Diamond et al.	D9/307

OTHER PUBLICATIONS

Sony Style, Spring/Summer 1993, vol. 1, p. 48, (Item
CFD-12) CD/Radio/Cassette Recorder.

Primary Examiner—Ted Shooman
Assistant Examiner—Cheri Cohen
Attorney, Agent, or Firm—John R. Duncan; Frank D.
Gilliam

[57] **CLAIM**

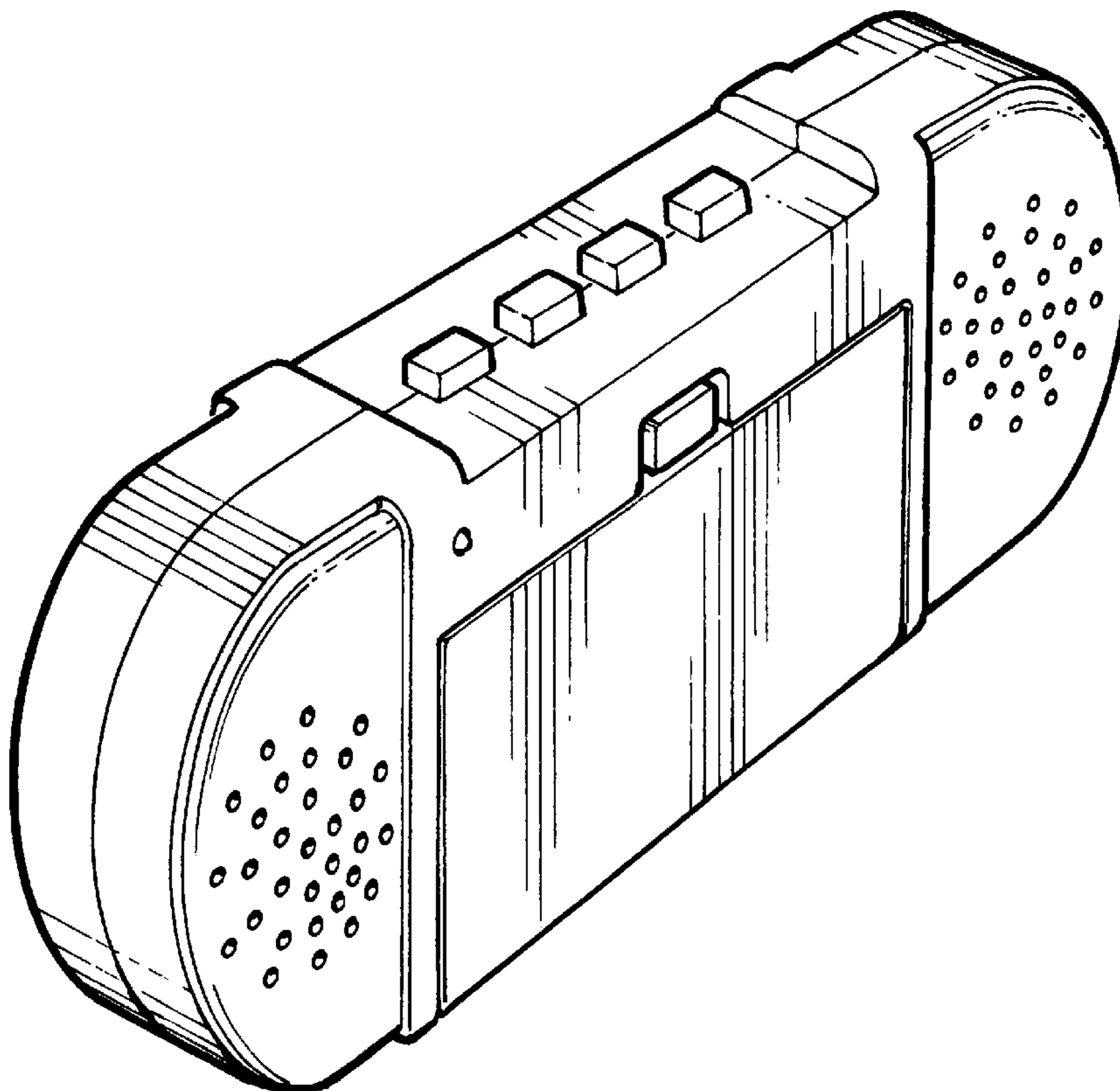
The ornamental design for a confection dispenser, as shown
and described.

DESCRIPTION

FIG. 1 is a perspective view of a confection dispenser
showing my new design;
FIG. 2 is a front elevation view thereof;
FIG. 3 is a top plan view thereof;
FIG. 4 is an inverted rear elevation view thereof;
FIG. 5 is a bottom plan view thereof;
FIG. 6 is a right side elevation view thereof; and,
FIG. 7 is a left side elevation view thereof.

As seen in the Figures, the confection dispenser is generally
rectangular with curved left and right ends. A pattern of
small recesses are provided on top and bottom surfaces at
both ends. Patterns of openings are provided in the front
central area and the top front area. A U-shaped line on the
top surface delineates an integrally hinged openable lid.

1 Claim, 1 Drawing Sheet



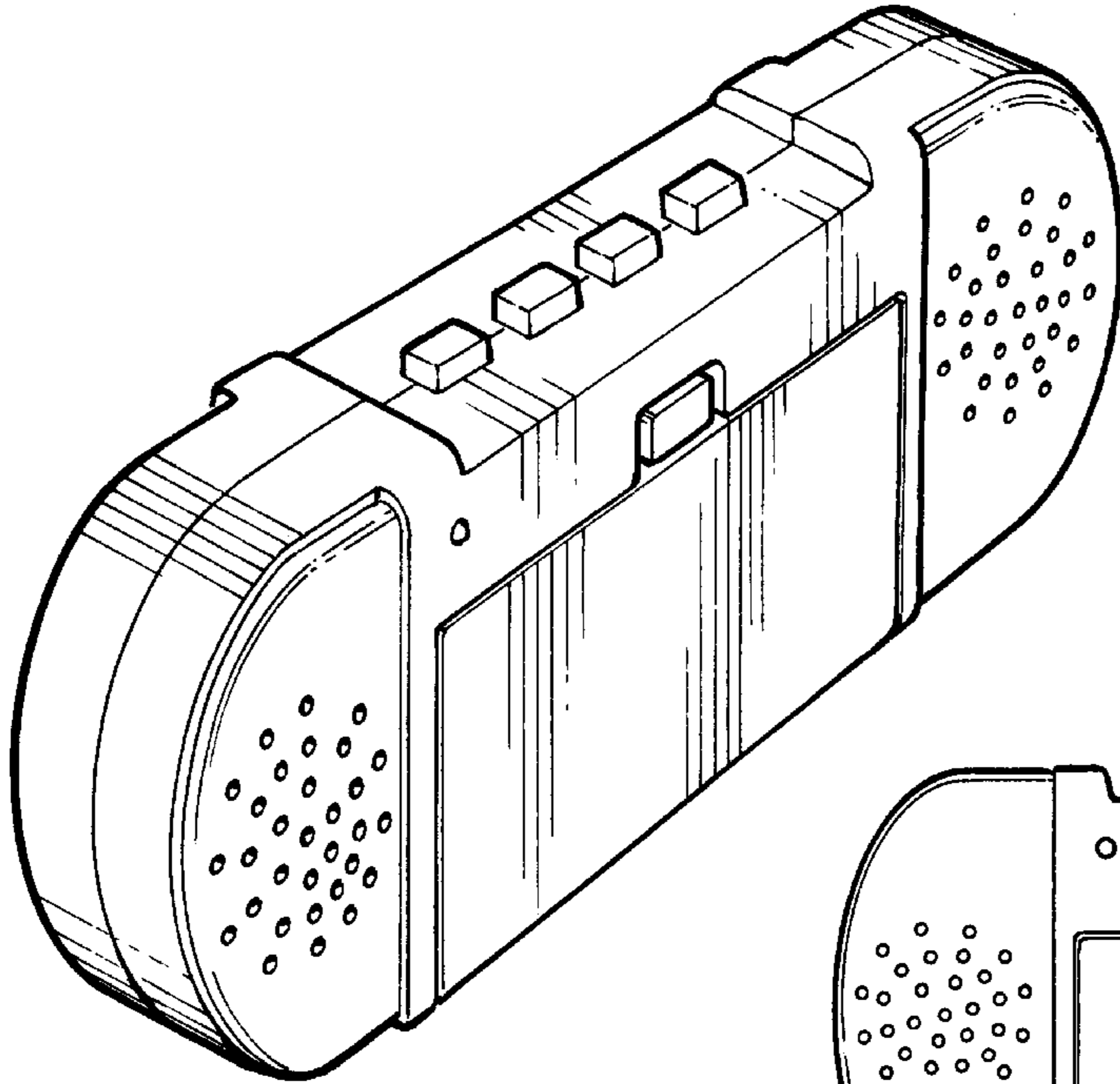


FIGURE 1

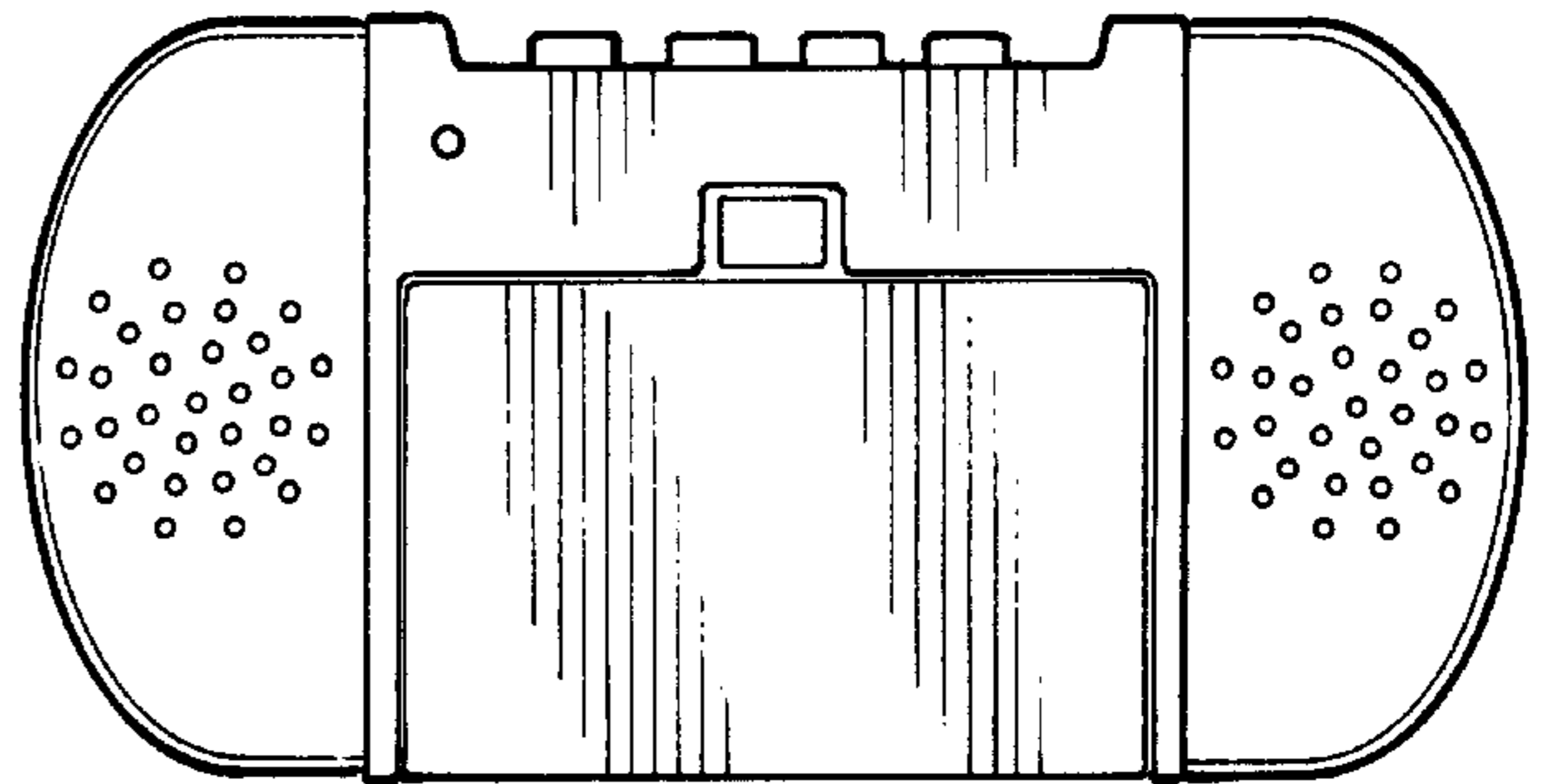


FIGURE 2

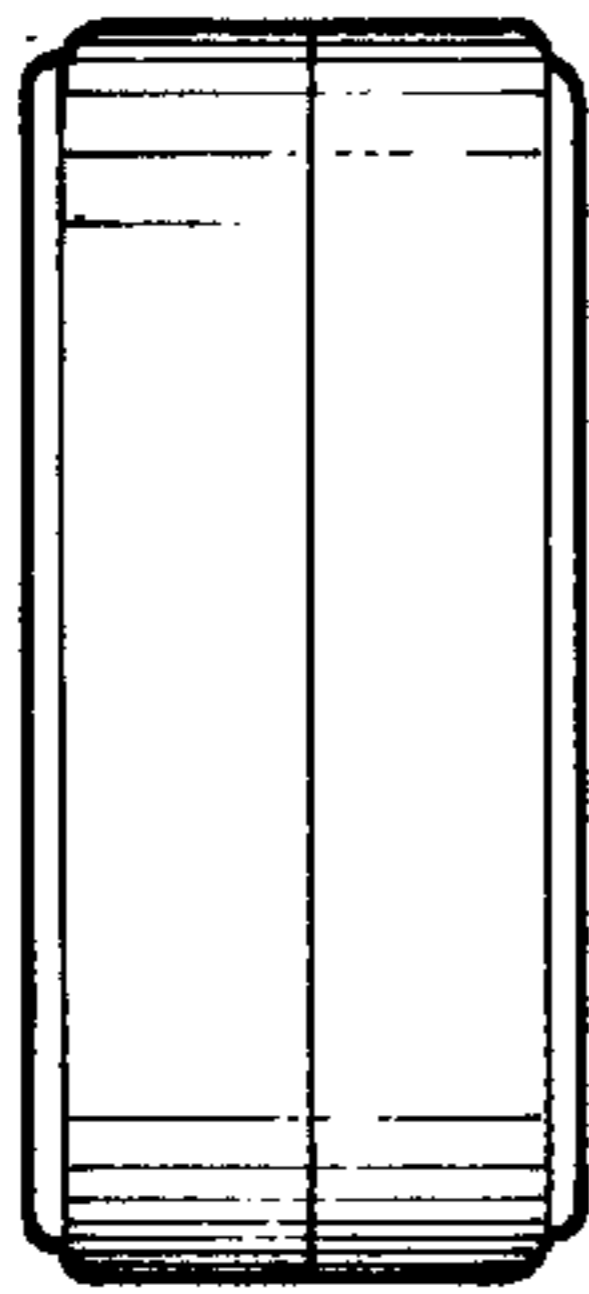


FIGURE 6

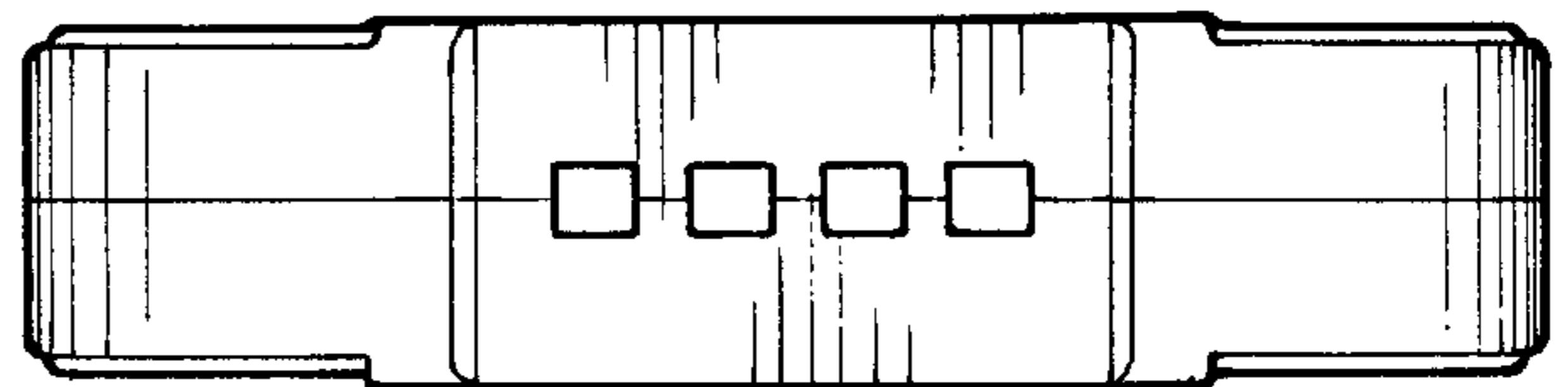


FIGURE 3

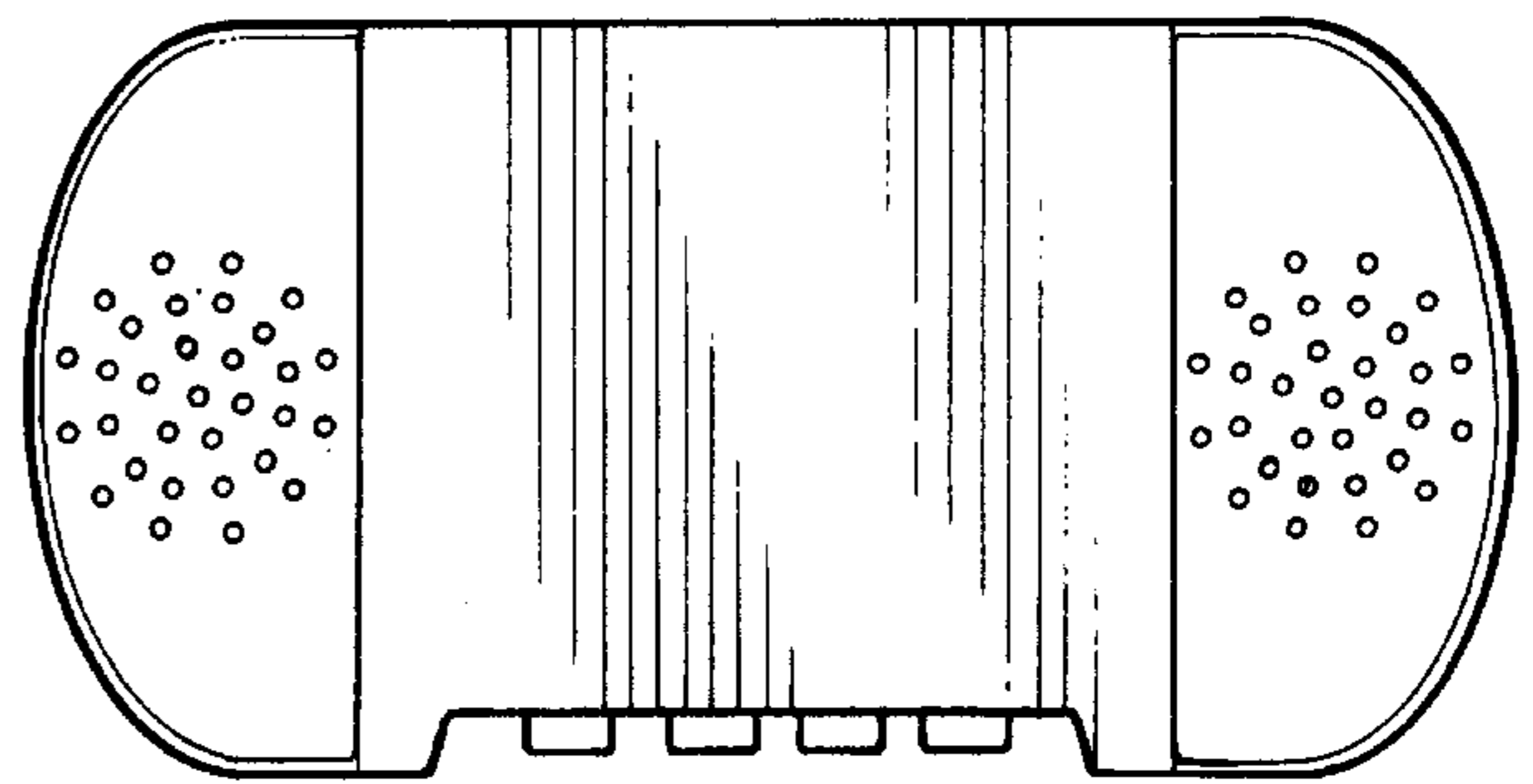


FIGURE 4

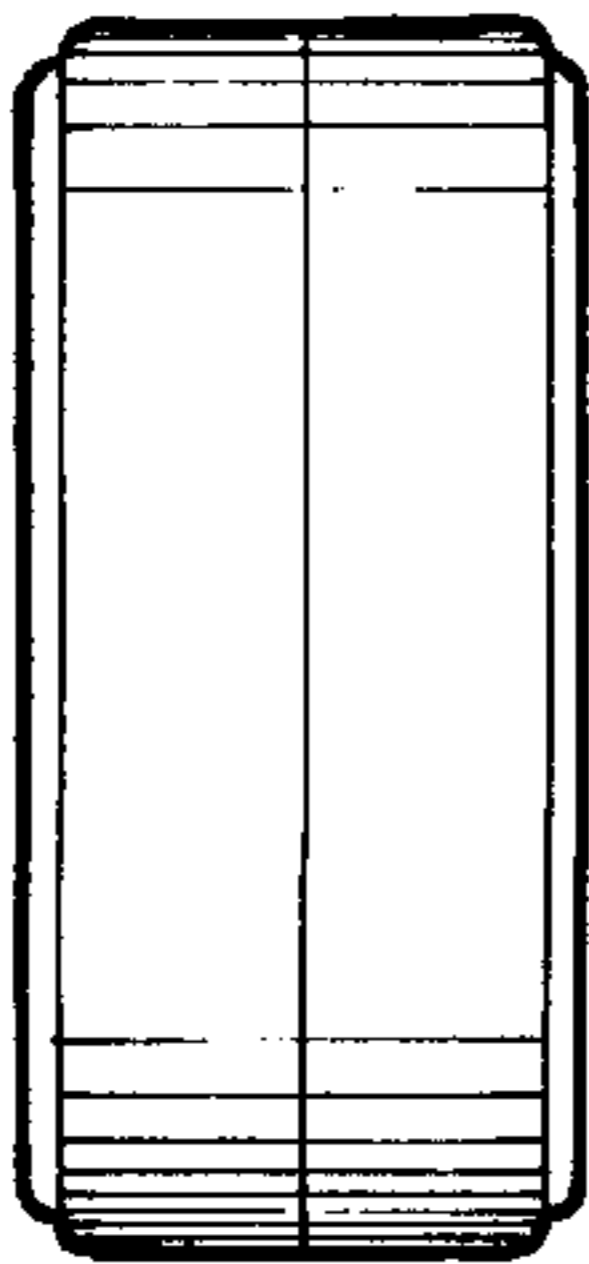


FIGURE 7

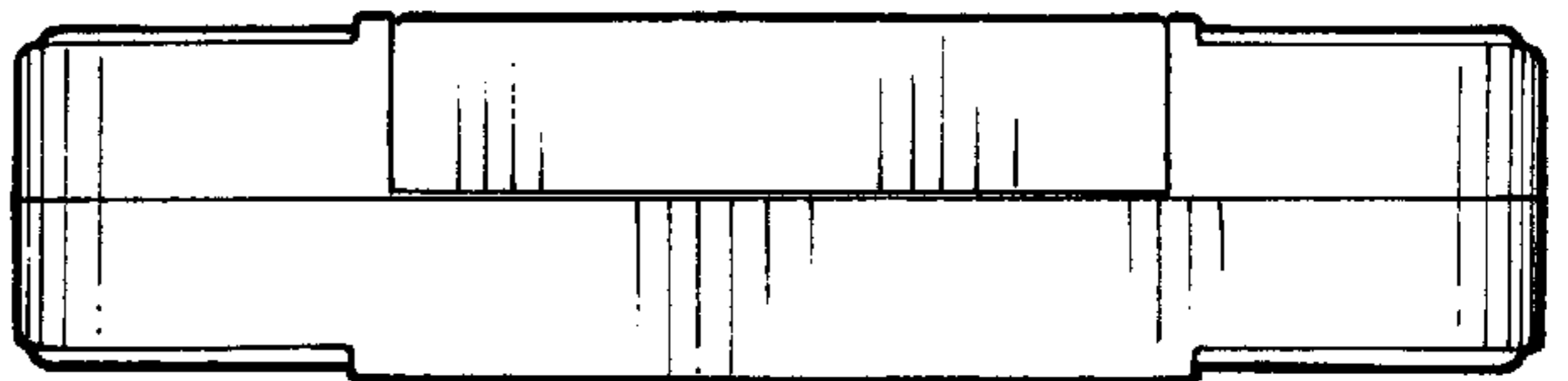


FIGURE 5