



US00D427055S

United States Patent [19]

Nicolas

[11] Patent Number: **Des. 427,055**

[45] Date of Patent: **** Jun. 27, 2000**

[54] FRAGRANCE BOTTLE

[75] Inventor: **Gwenaël Nicolas**, Tokyo, Japan

[73] Assignee: **Beaute Prestige International**, Paris, France

[**] Term: **14 Years**

[21] Appl. No.: **29/094,665**

[22] Filed: **Oct. 7, 1998**

[51] LOC (7) Cl. **09-01**

[52] U.S. Cl. **D9/300**

[58] Field of Search D9/300, 307, 503,
D9/504, 519, 520, 544, 545, 549, 558;
222/78, 320, 321.1, 321.7

[56] References Cited

U.S. PATENT DOCUMENTS

D. 98,951	3/1936	Lewis	D9/503
D. 112,545	12/1938	Younghusband	D9/504
D. 142,654	10/1945	Newport, Jr.	D9/503
D. 224,638	8/1972	Cooper	D9/307
D. 259,397	6/1981	Kerns	D9/503
D. 291,179	8/1987	Frizon	D9/519
D. 339,296	9/1993	Bompard	D9/545
D. 354,441	1/1995	Fontanella	D9/504
D. 355,602	2/1995	Buettner et al.	D9/505

Primary Examiner—Cathron B. Matta
Attorney, Agent, or Firm—Jay H. Maioli

[57] CLAIM

The ornamental design for a fragrance bottle, as shown and described.

DESCRIPTION

FIG. 1 is a front elevational view of a fragrance bottle, showing my new design, the rear being a mirror image thereof, the left and right sides being identical to the front, and shown with a moveable protective cap in a protruded position and a moveable bottom element shown in a resulting position recessed into the gridded interior structure;

FIG. 2 is a top plan view thereof;

FIG. 3 is a bottom plan view thereof;

FIG. 4 is a top, front perspective view thereof at an angle of elevation of approximately 45°;

FIG. 5 is a top, front perspective view thereof at an angle of elevation of approximately 30°;

FIG. 6 is a top, front, perspective view thereof at an angle of elevation of approximately 15°, shown with a movable protective cap partially recessed into the gridded interior structure and a movable bottom element shown in a resulting protruded position;

FIG. 7 is a top, front perspective view thereof at an angle of elevation of approximately 5°;

FIG. 8 is a bottom, front perspective view of FIG. 6 at an angle of depression of approximately 15°;

FIG. 9 is a bottom, front perspective view thereof at an angle of depression of approximately 30°; and,

FIG. 10 is a bottom, front perspective view of FIG. 6 at an angle of depression of approximately 45°;

The change in appearance of the internal gridded structure in FIGS. 4–10 is not due to different positions of the internal structure but is the result of light refracting through the outer spherical structure that creates different appearances at the different angles described in the Figure descriptions.

1 Claim, 5 Drawing Sheets

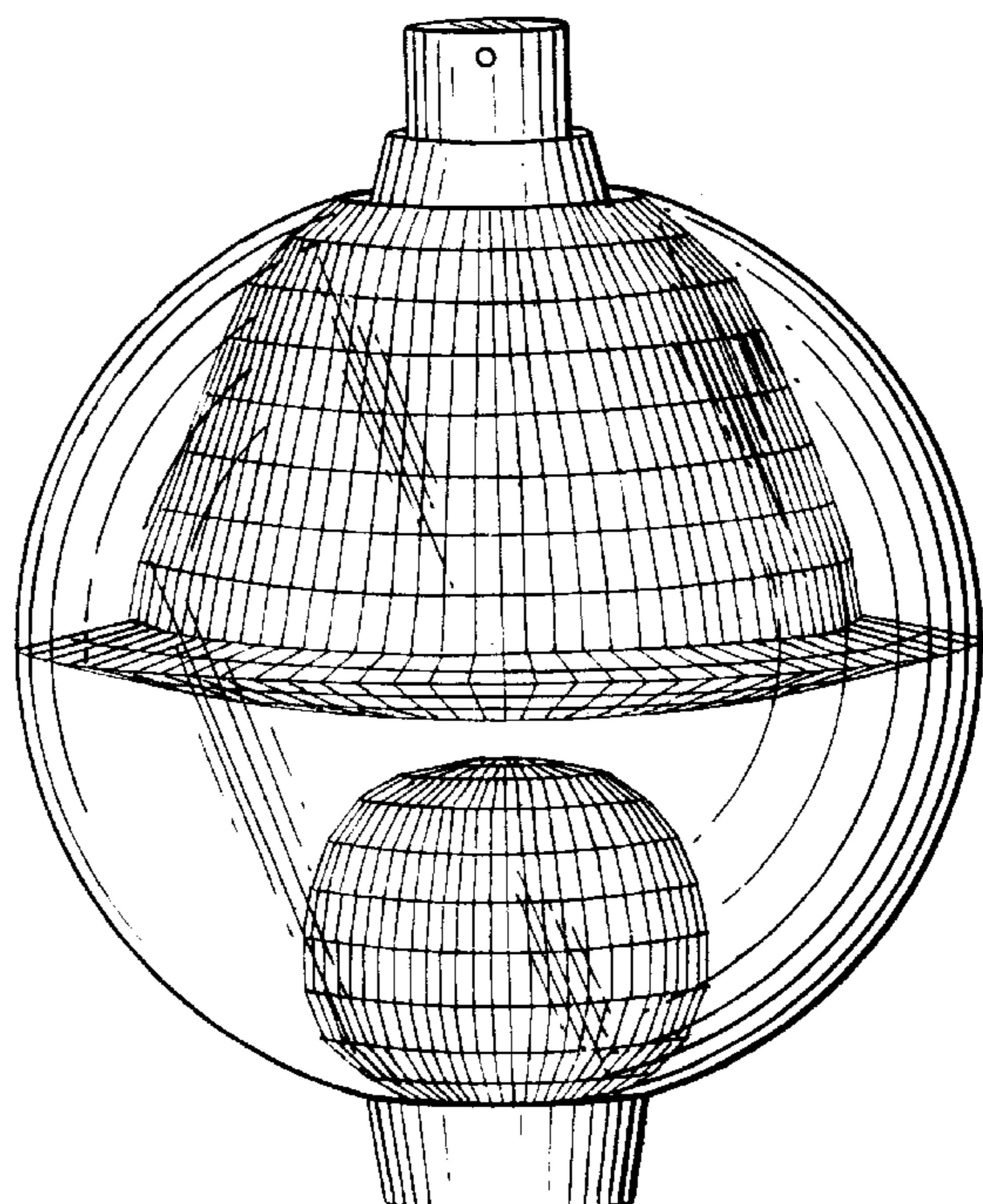
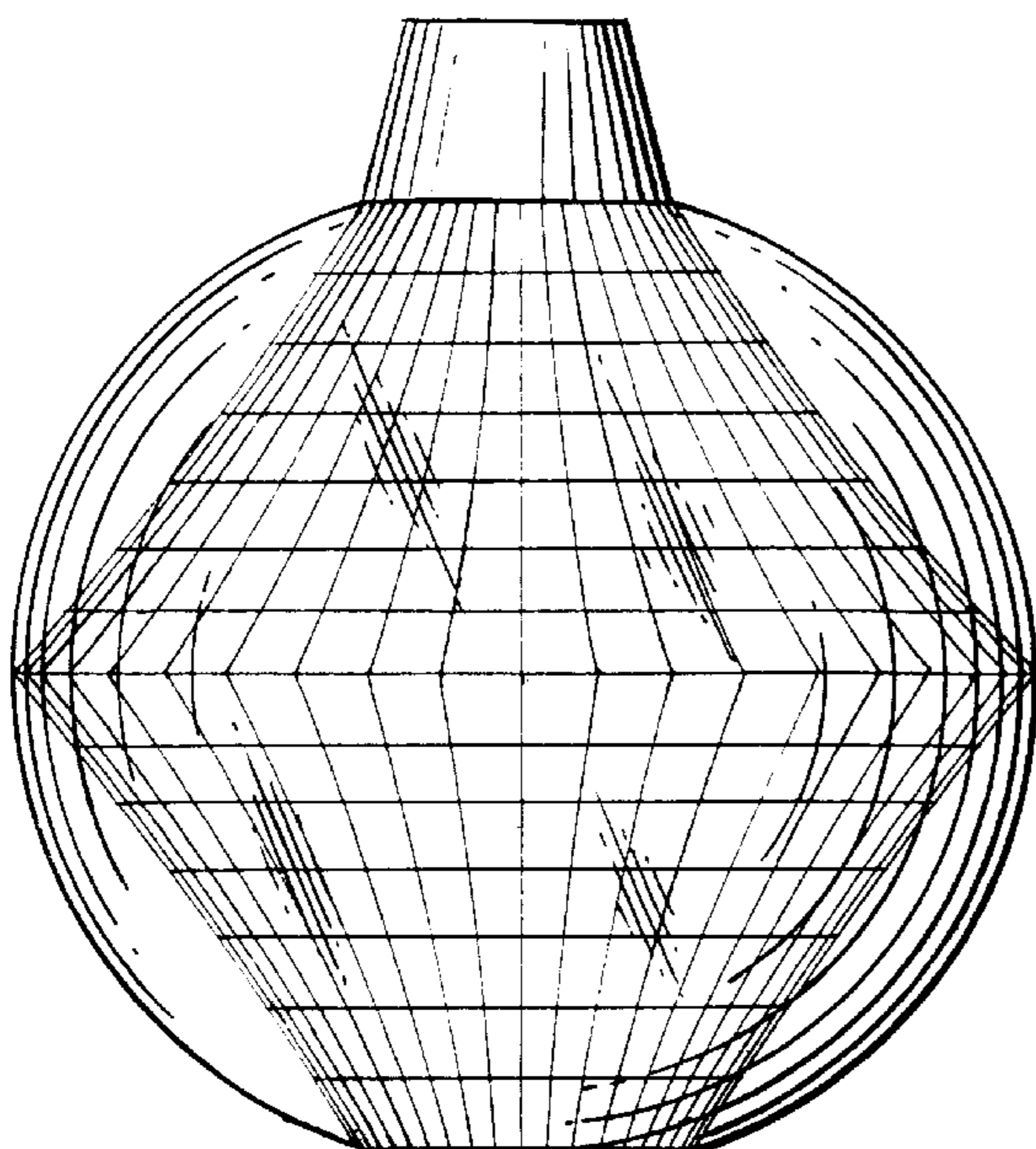


FIG. 1

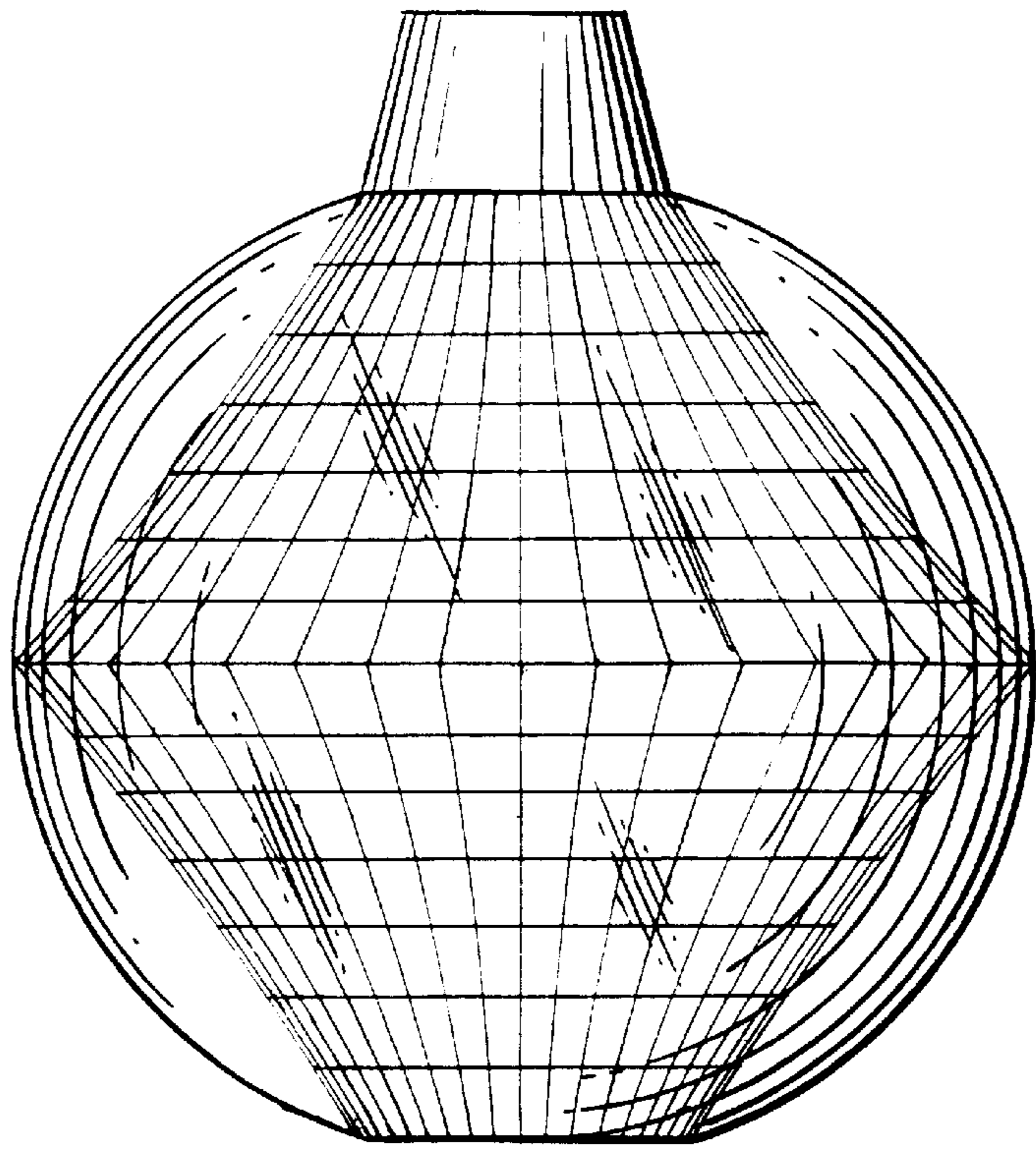


FIG. 2

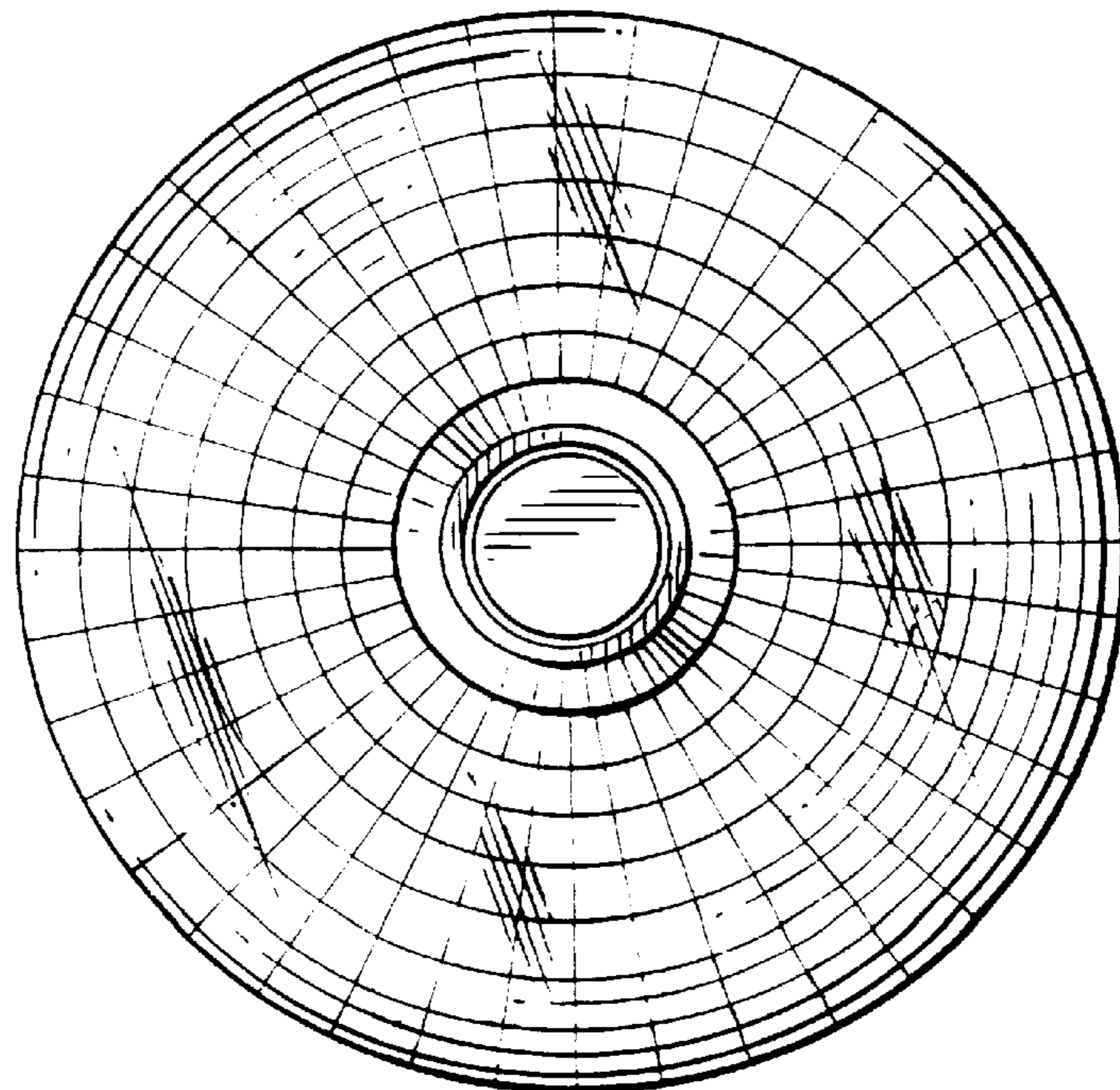


FIG. 3

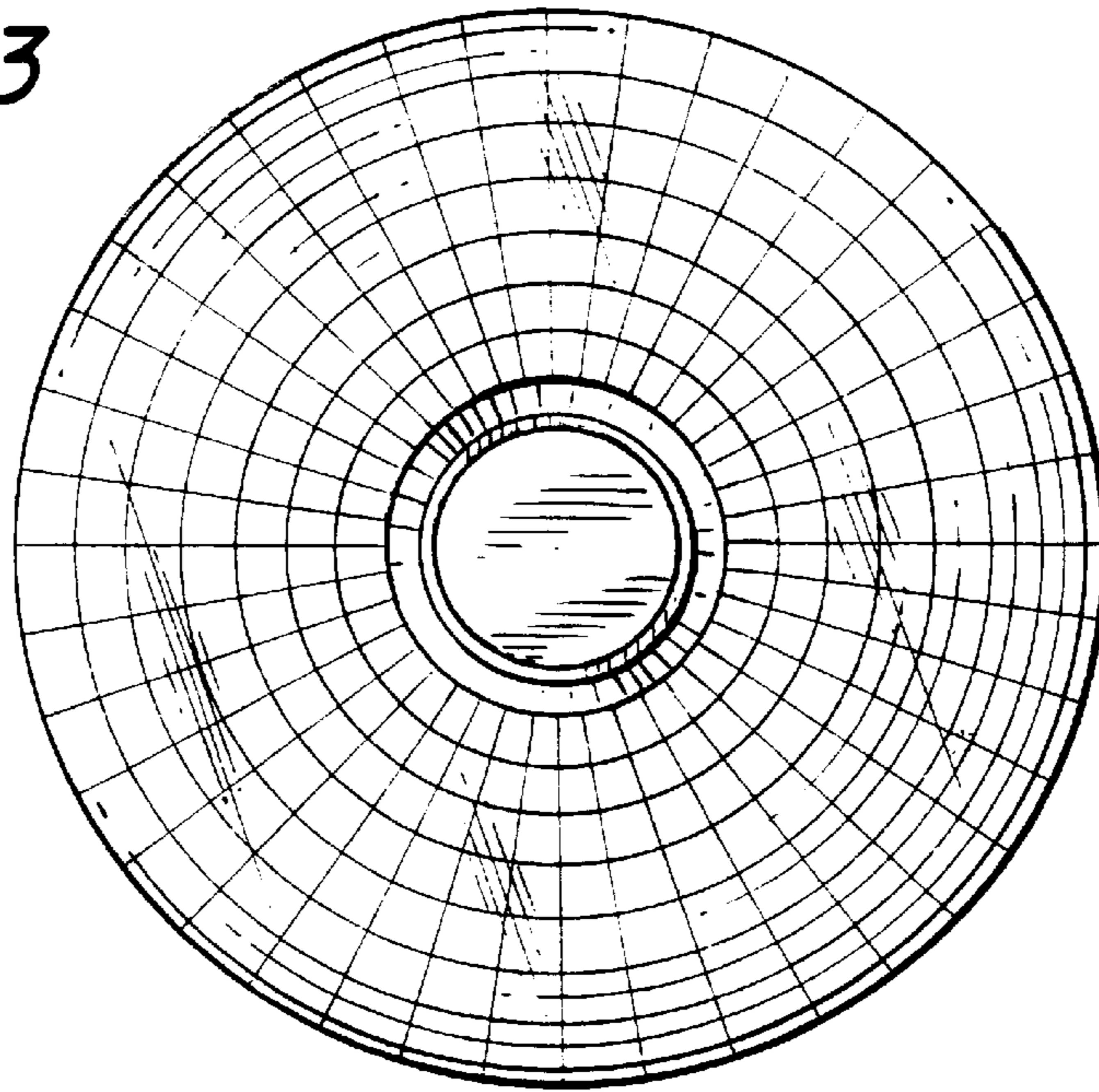


FIG. 4

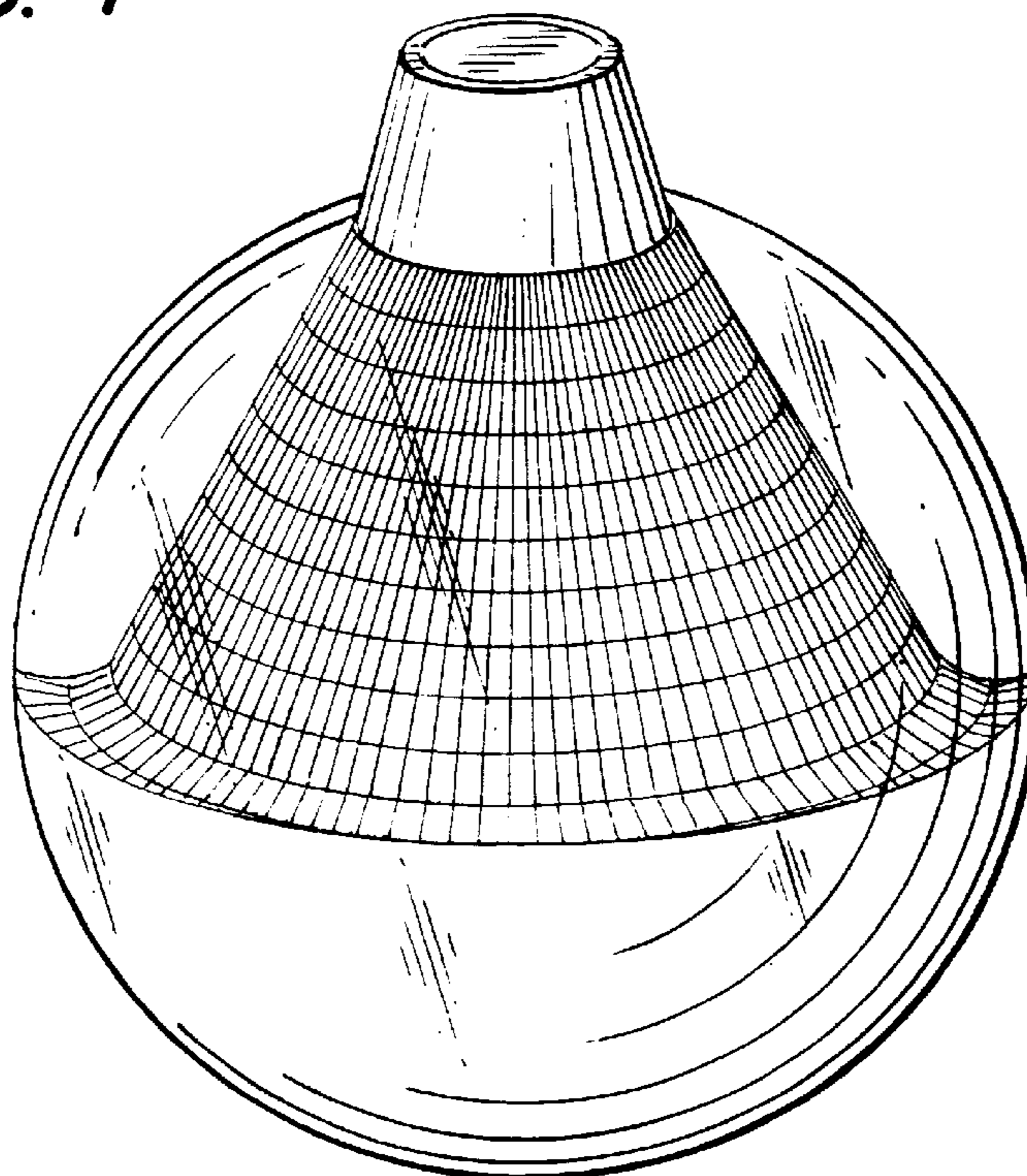


FIG. 5

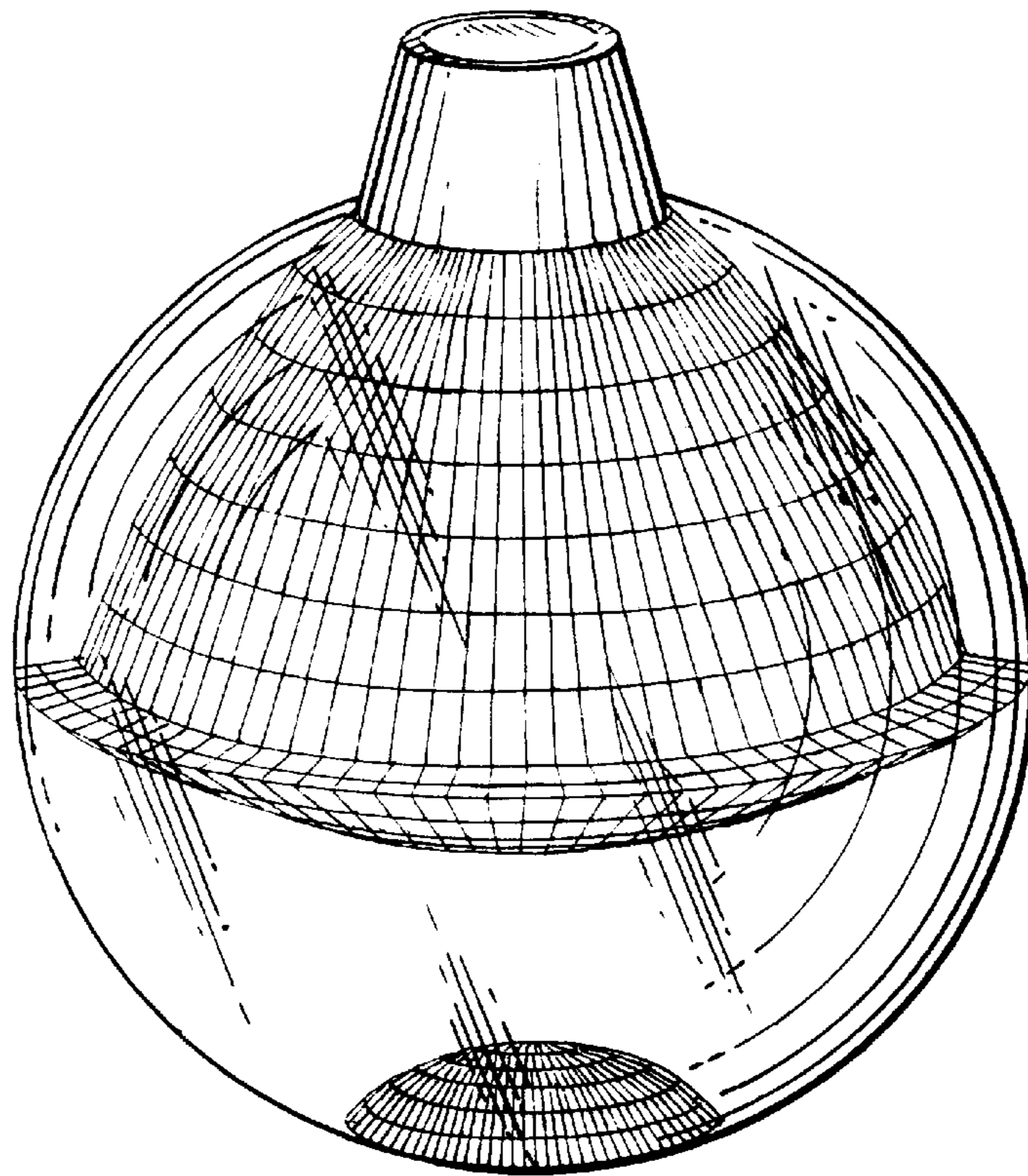


FIG. 6

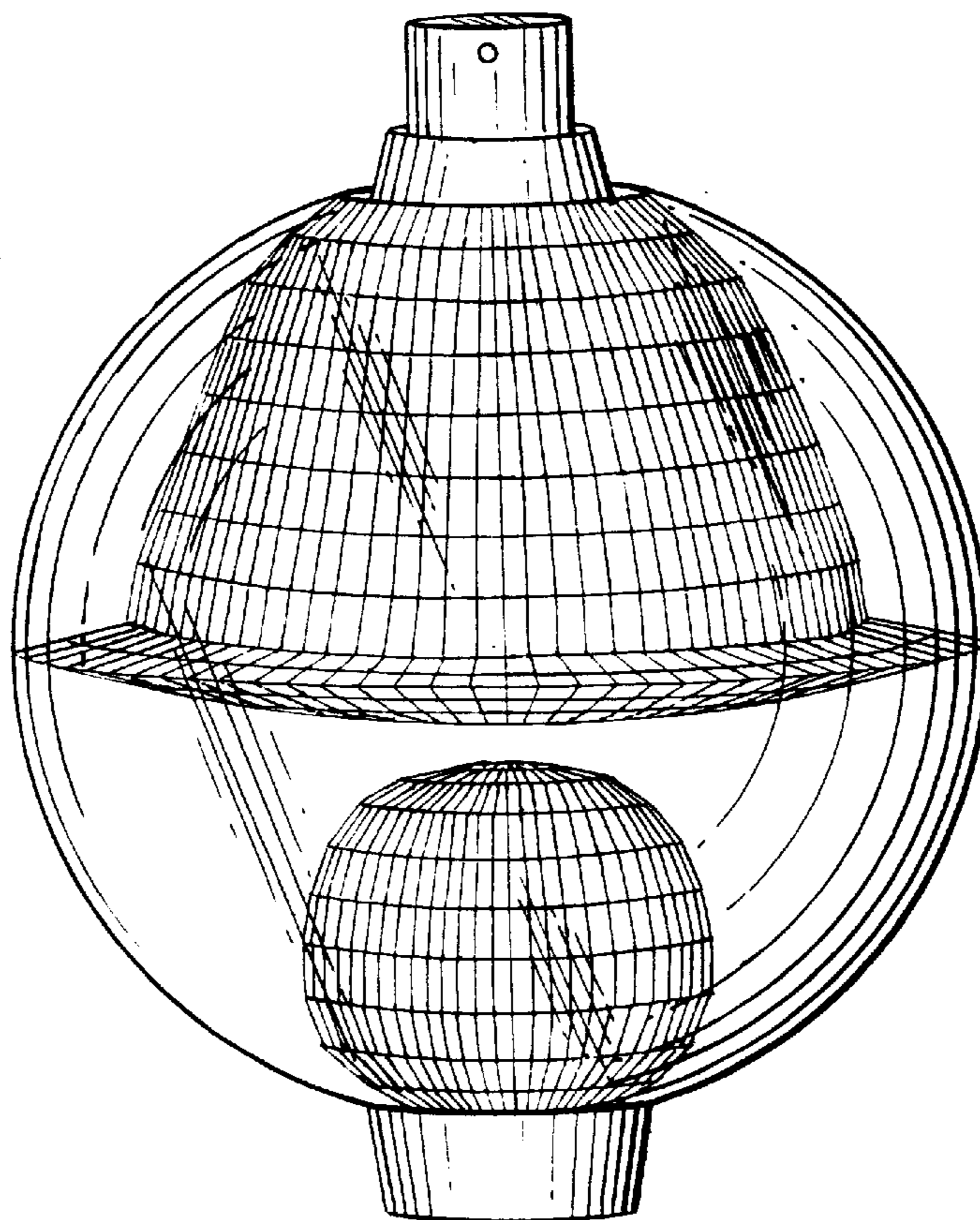


FIG. 7

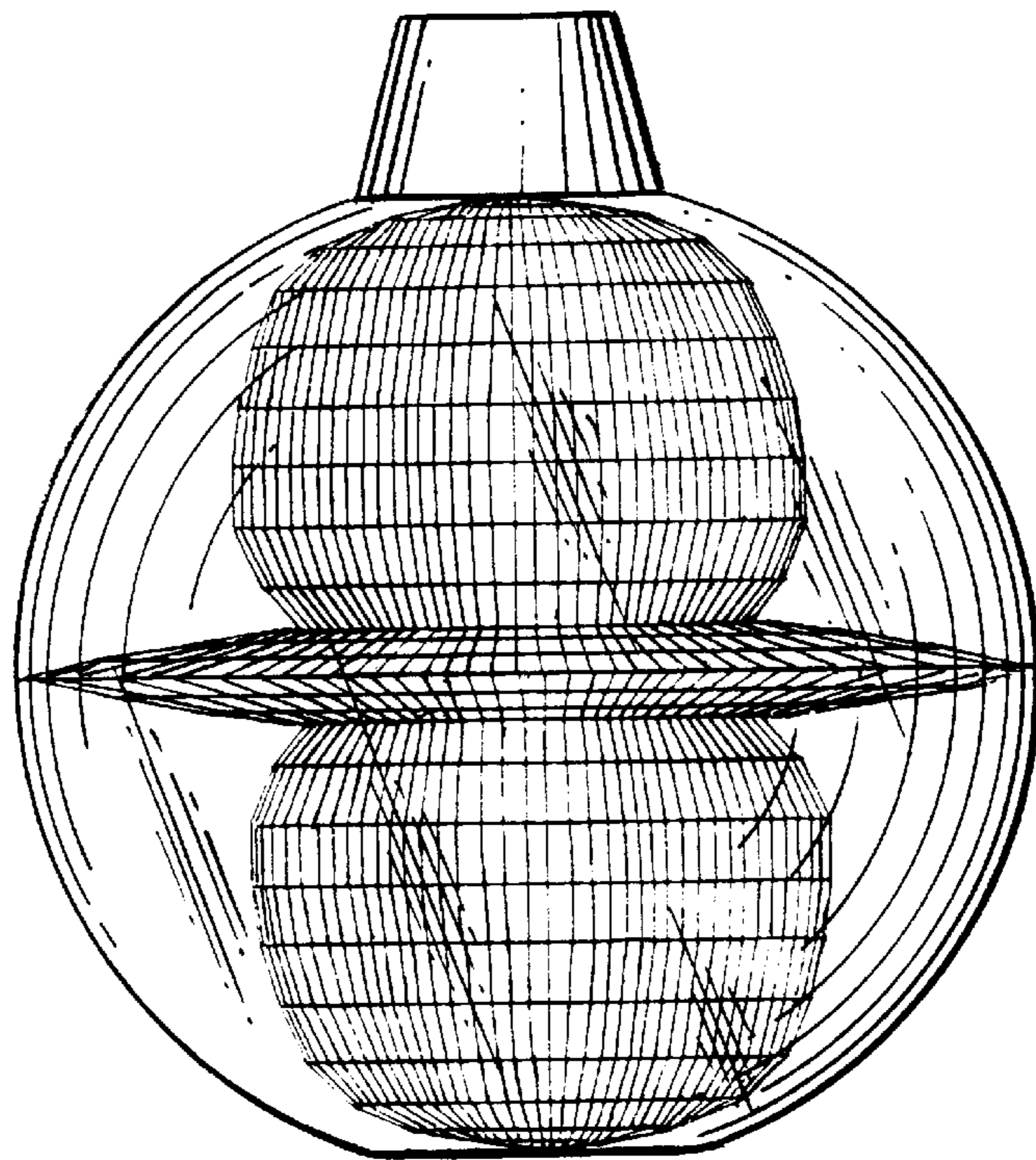


FIG. 8

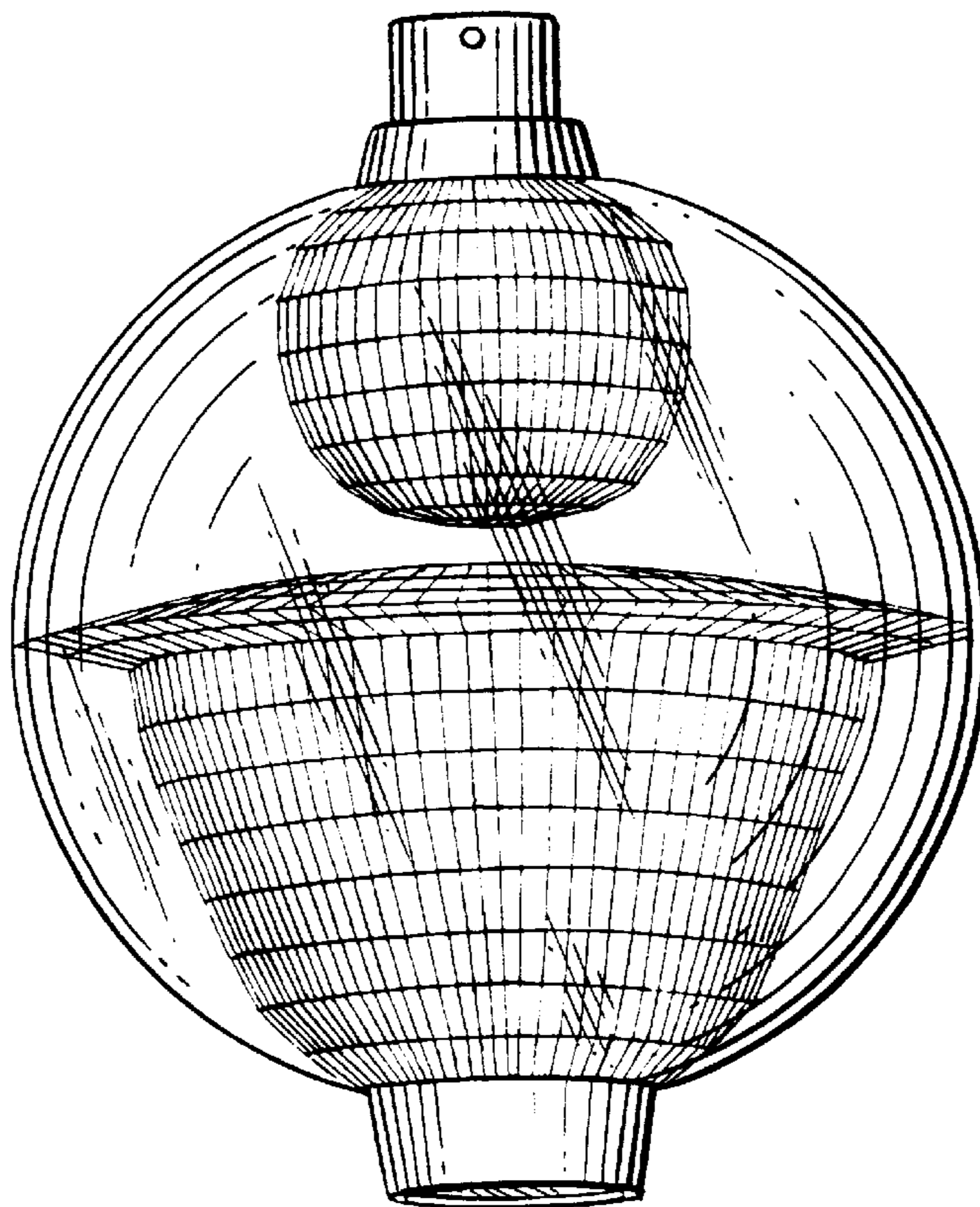


FIG. 9

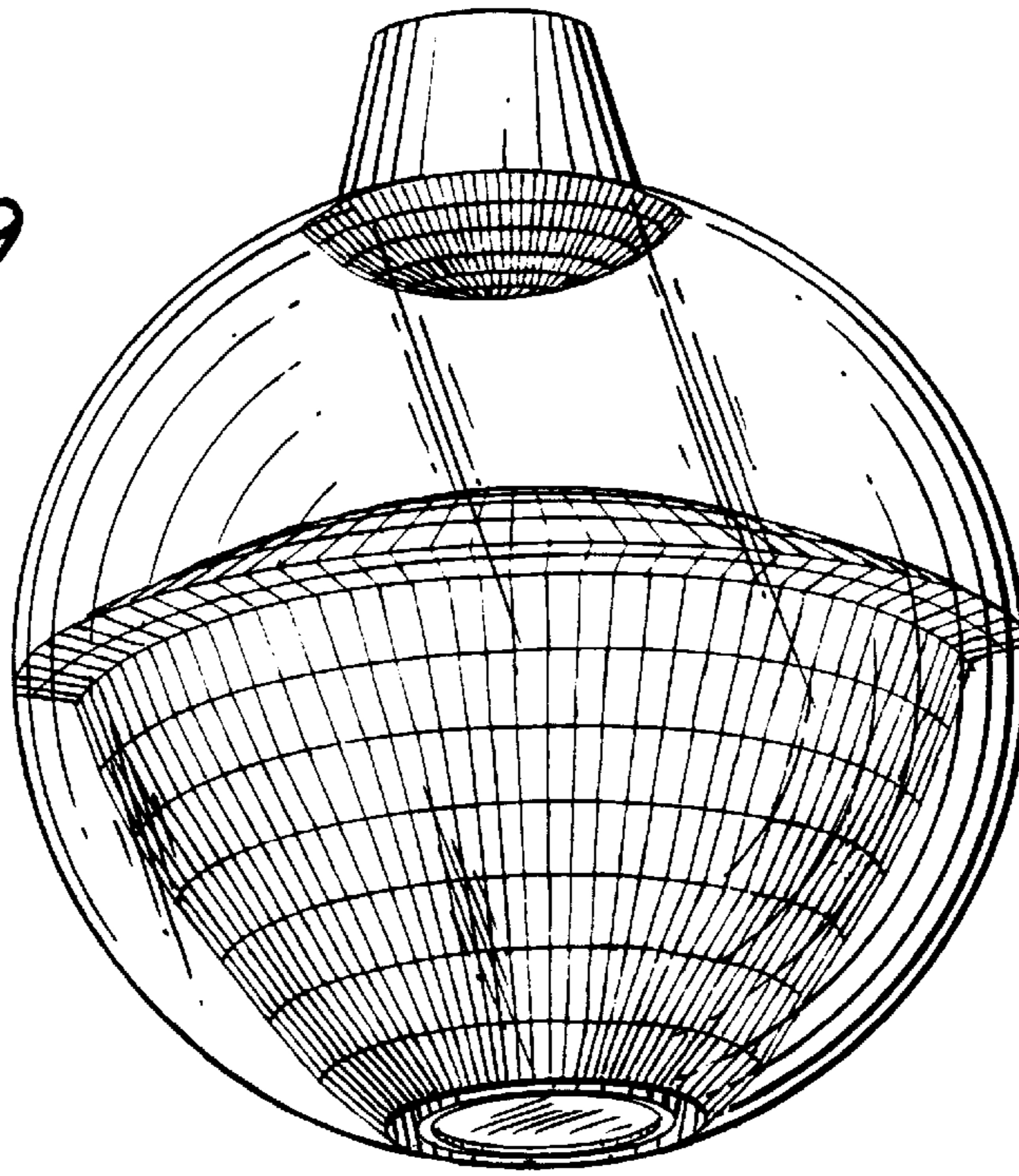


FIG. 10

