



US00D427053S

United States Patent [19]

Nelson

[11] Patent Number: Des. 427,053

[45] Date of Patent: ** Jun. 27, 2000

[54] FASTENER NUT

[75] Inventor: Alfred C. Nelson, Noblesville, Ind.

[73] Assignee: Masco Corporation of Indiana, Indianapolis, Ind.

[**] Term: 14 Years

[21] Appl. No.: 29/083,440

[22] Filed: Feb. 9, 1998

[51] LOC (7) Cl. 08-08

[52] U.S. Cl. D8/398; D8/352

[58] Field of Search D8/397, 398, 352;
D23/249, 254, 259; 411/427, 429, 430,
431, 435, 521, 527

[56] References Cited

U.S. PATENT DOCUMENTS

D. 133,458	8/1942	Biller .	
D. 175,487	8/1955	Young .	
D. 308,820	6/1990	Gonzales	D8/398
D. 371,556	7/1996	Steffes	D8/397
4,813,109	3/1989	McCully et al.	411/435

4,990,044	2/1991	Kimak	411/427
5,332,347	7/1994	Kimisawa	411/435
5,865,583	2/1999	Krawczak et al.	411/431

Primary Examiner—B. J. Bullock
Attorney, Agent, or Firm—Myron B. Kapustij; Lloyd D. Doigan

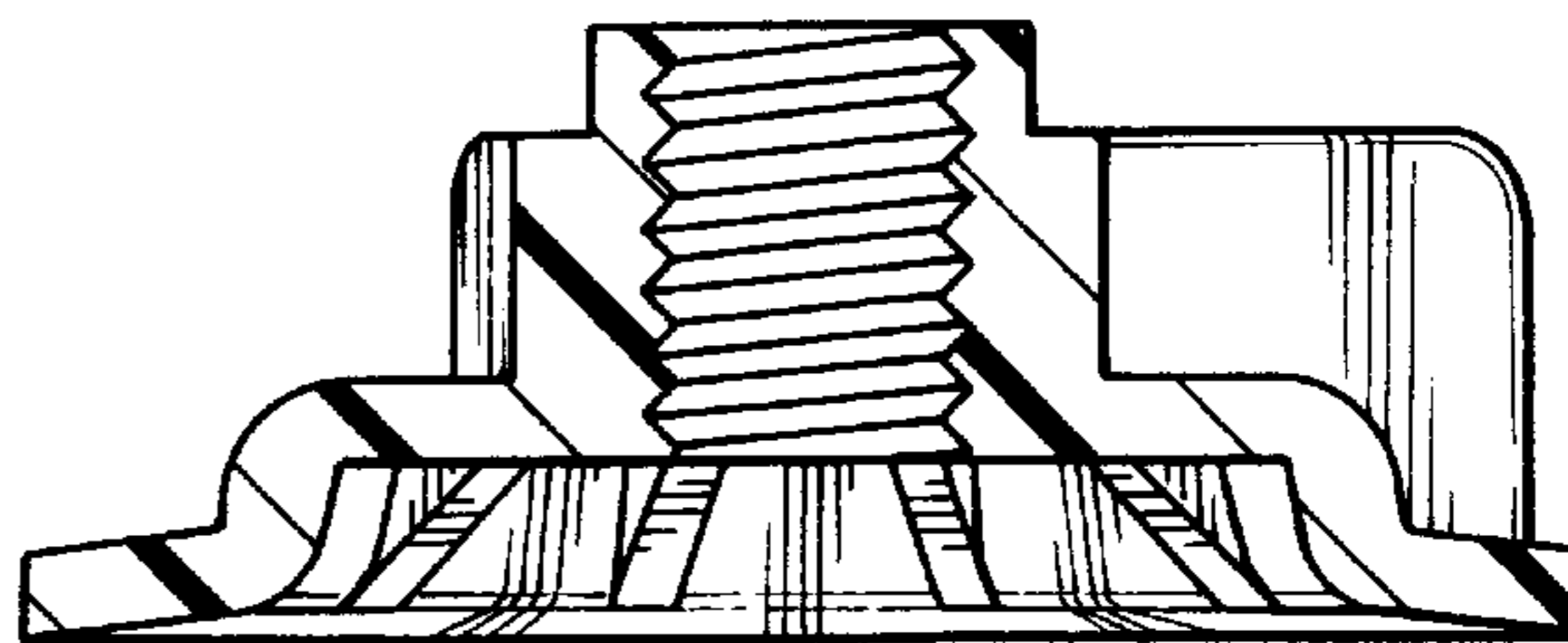
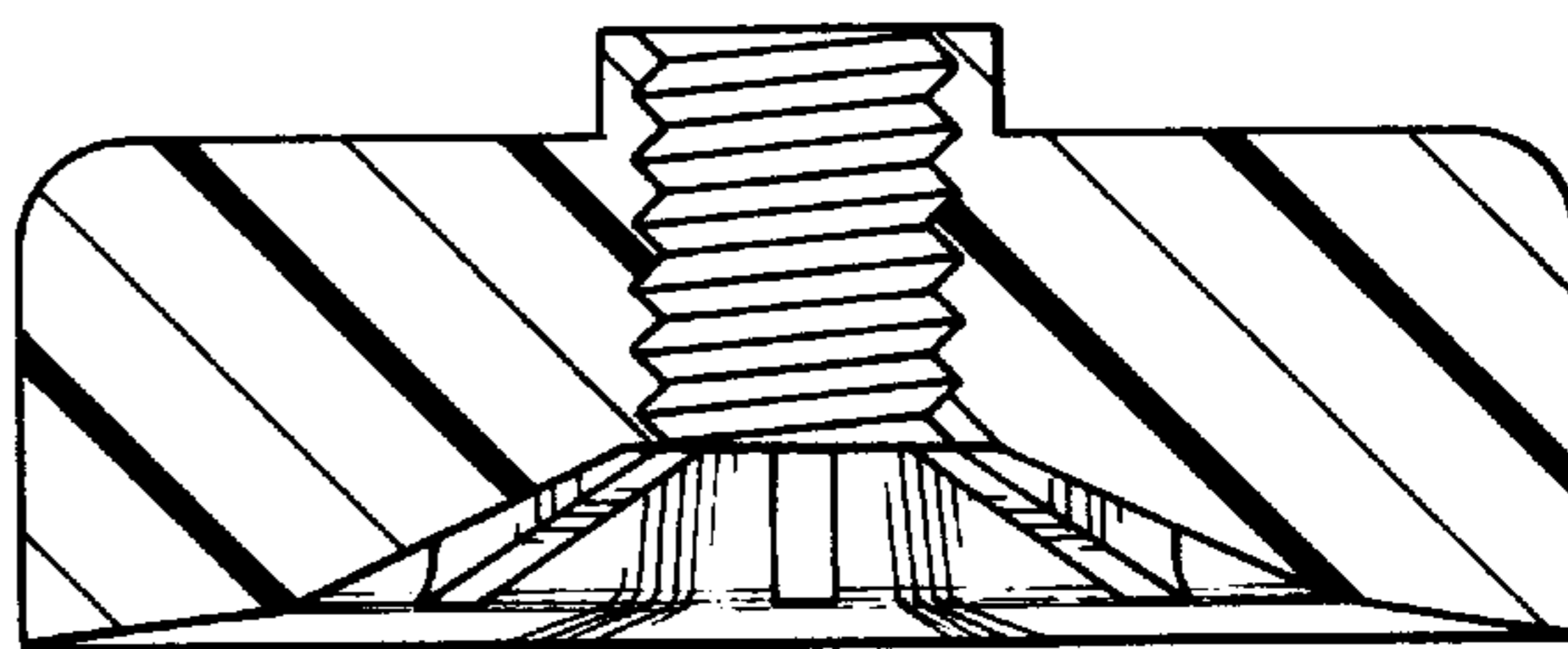
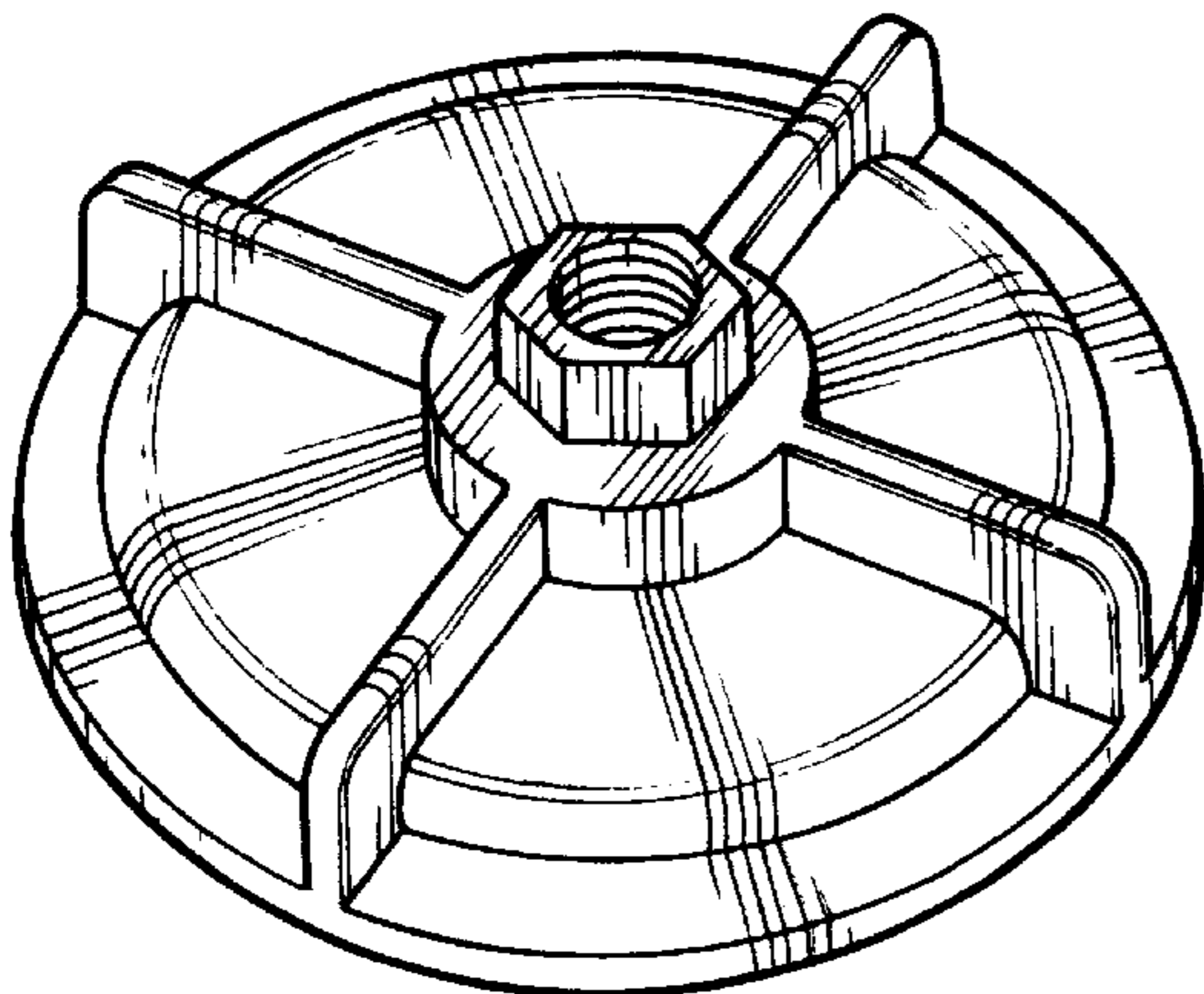
[57] CLAIM

The ornamental design for a fastener nut, as shown and described.

DESCRIPTION

FIG. 1 is a top perspective view of a fastener nut showing my new design;
FIG. 2 is a top plan view thereof;
FIG. 3 is an elevational view thereof, all sides being identical;
FIG. 4 is a bottom plan view thereof;
FIG. 5 is a cross-sectional view taken along line 5—5 in FIG. 4; and,
FIG. 6 is a cross-sectional view taken along line 6—6 in FIG. 4.
FIGS. 2—4 are shown on an enlarged scale.

1 Claim, 2 Drawing Sheets



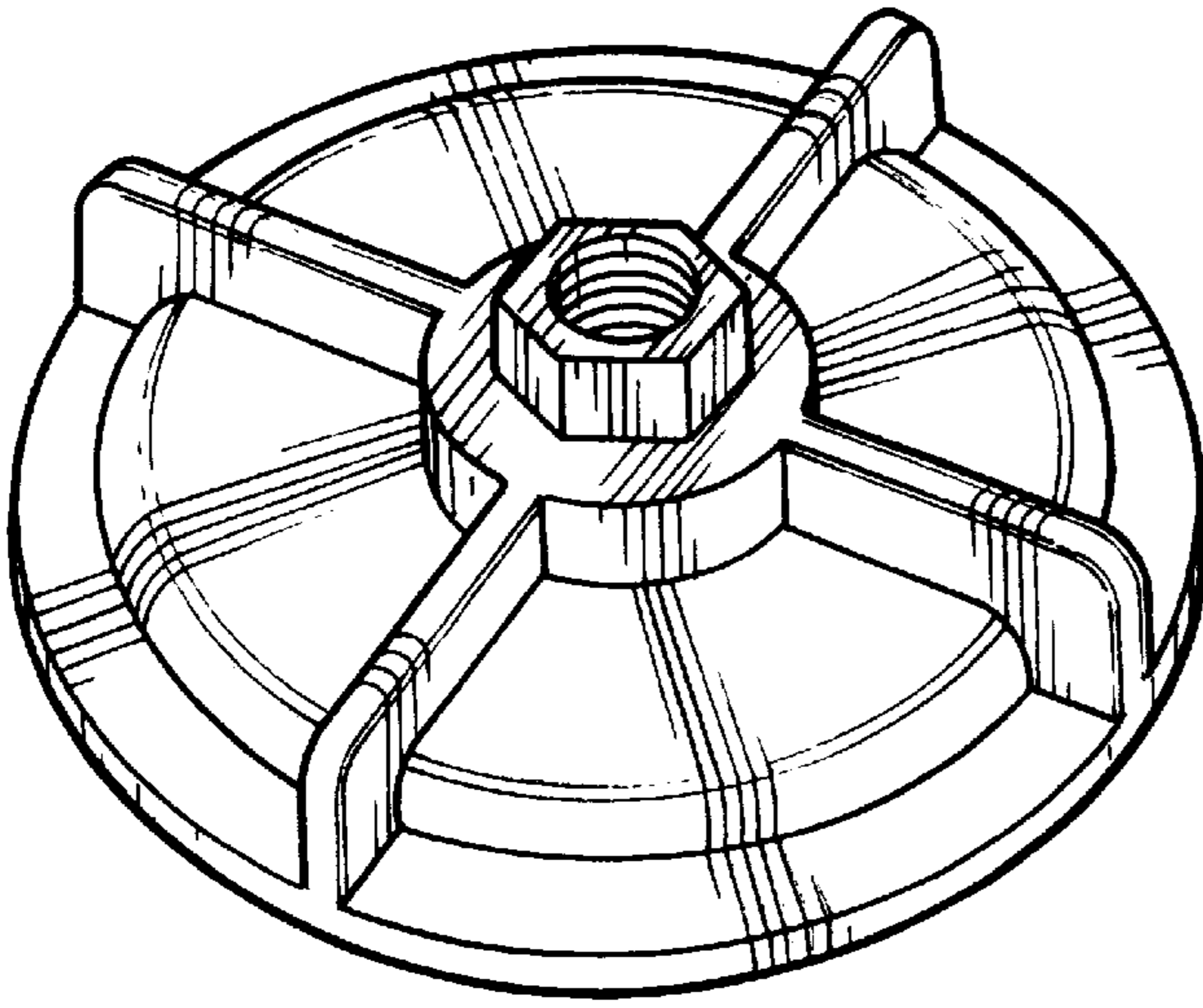


Fig-1

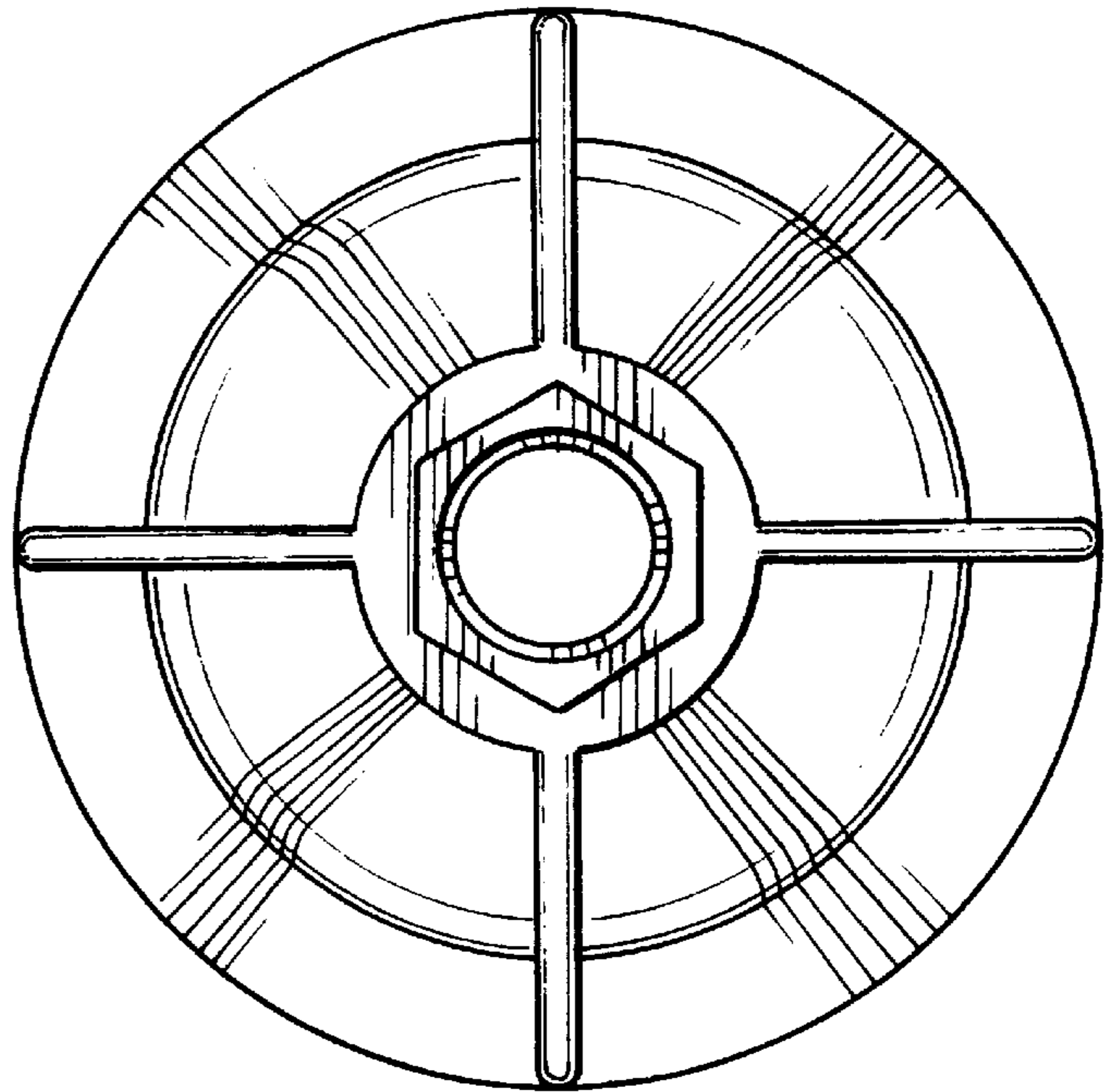


Fig-2

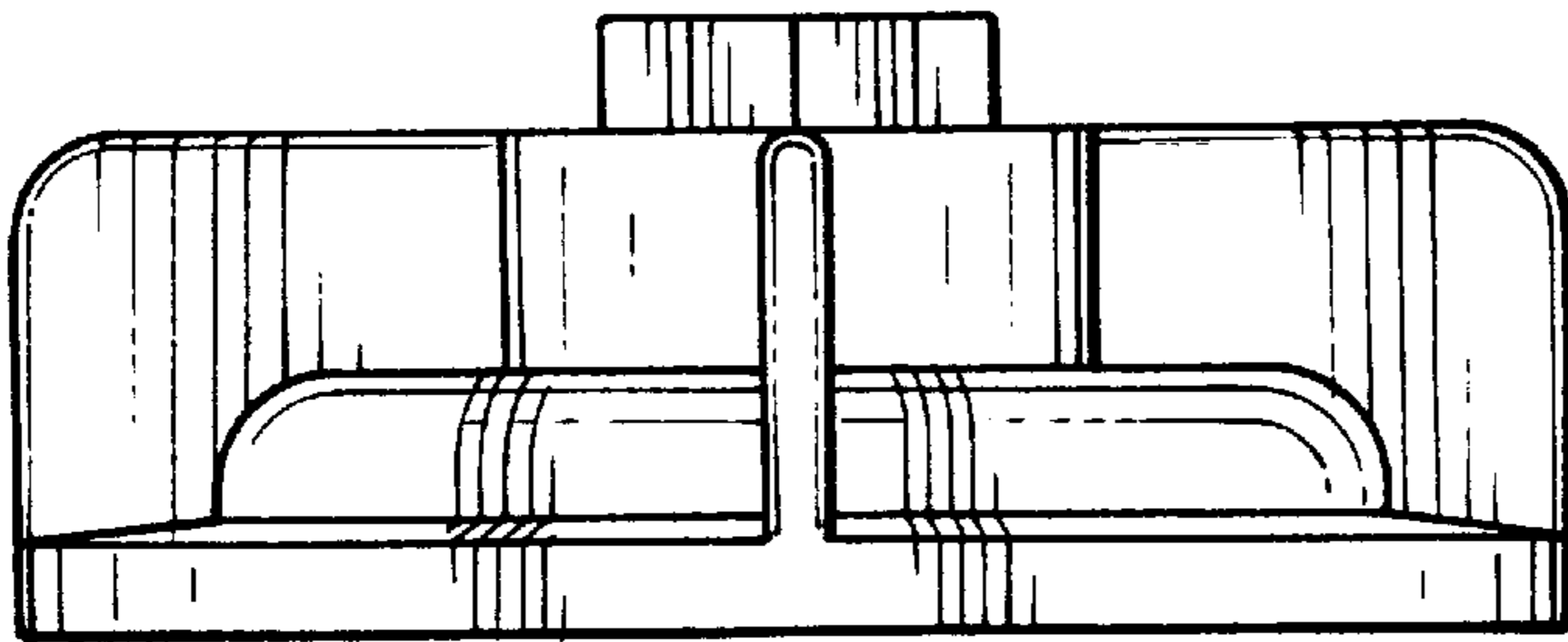


Fig-3

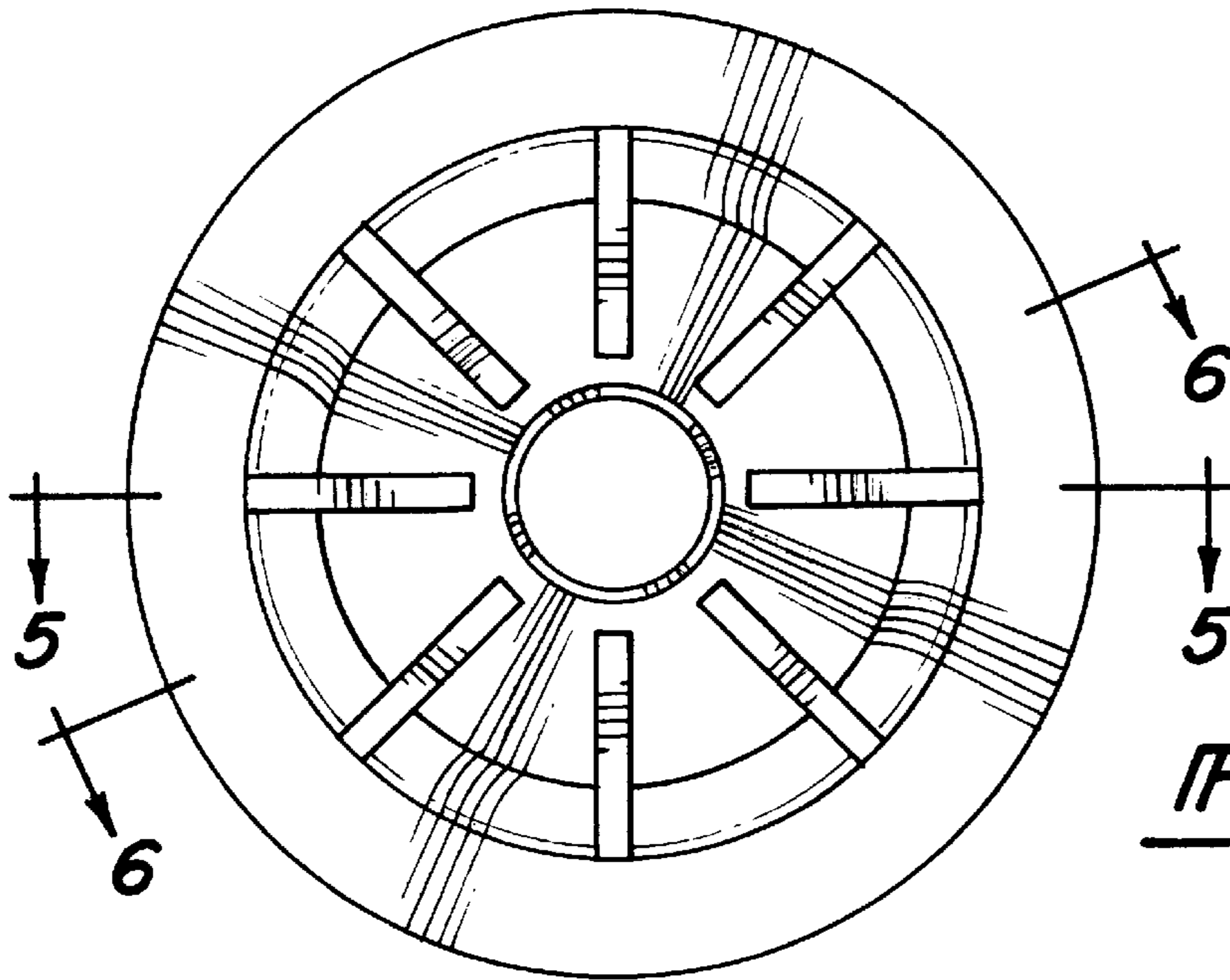


Fig-4

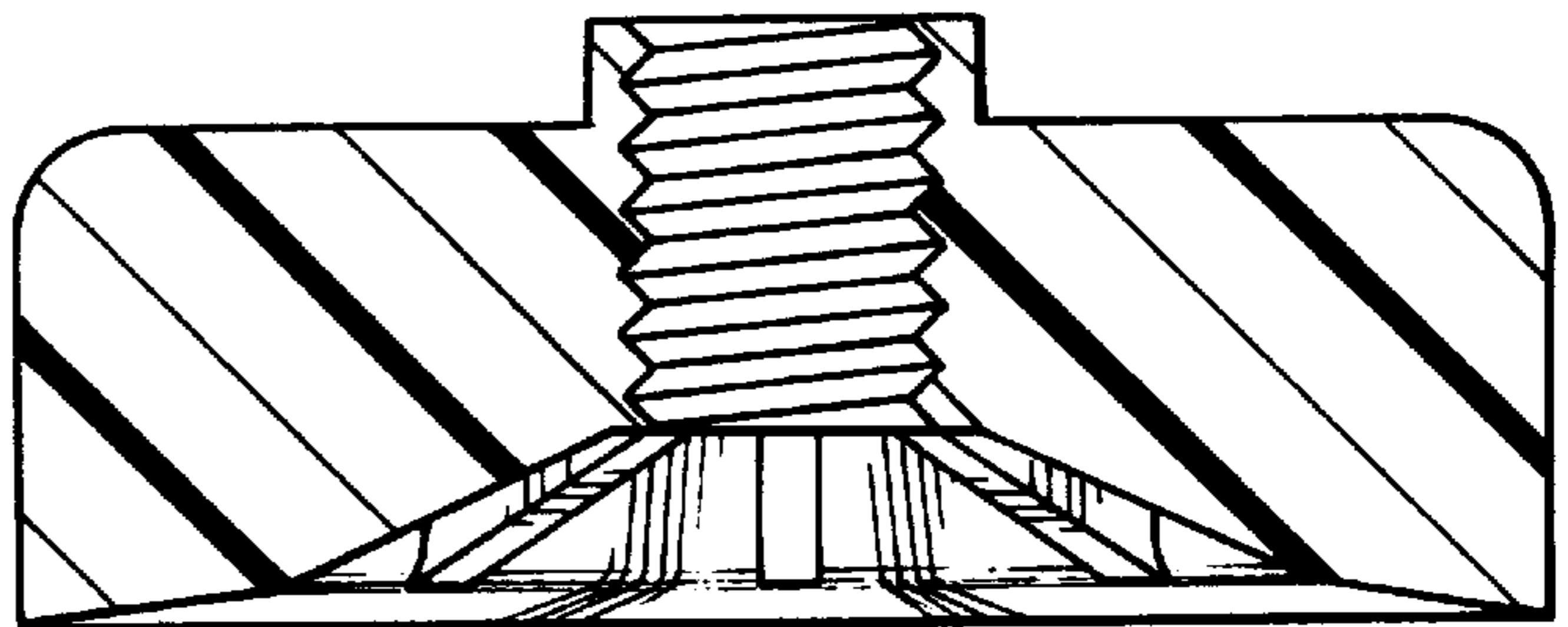


Fig-5

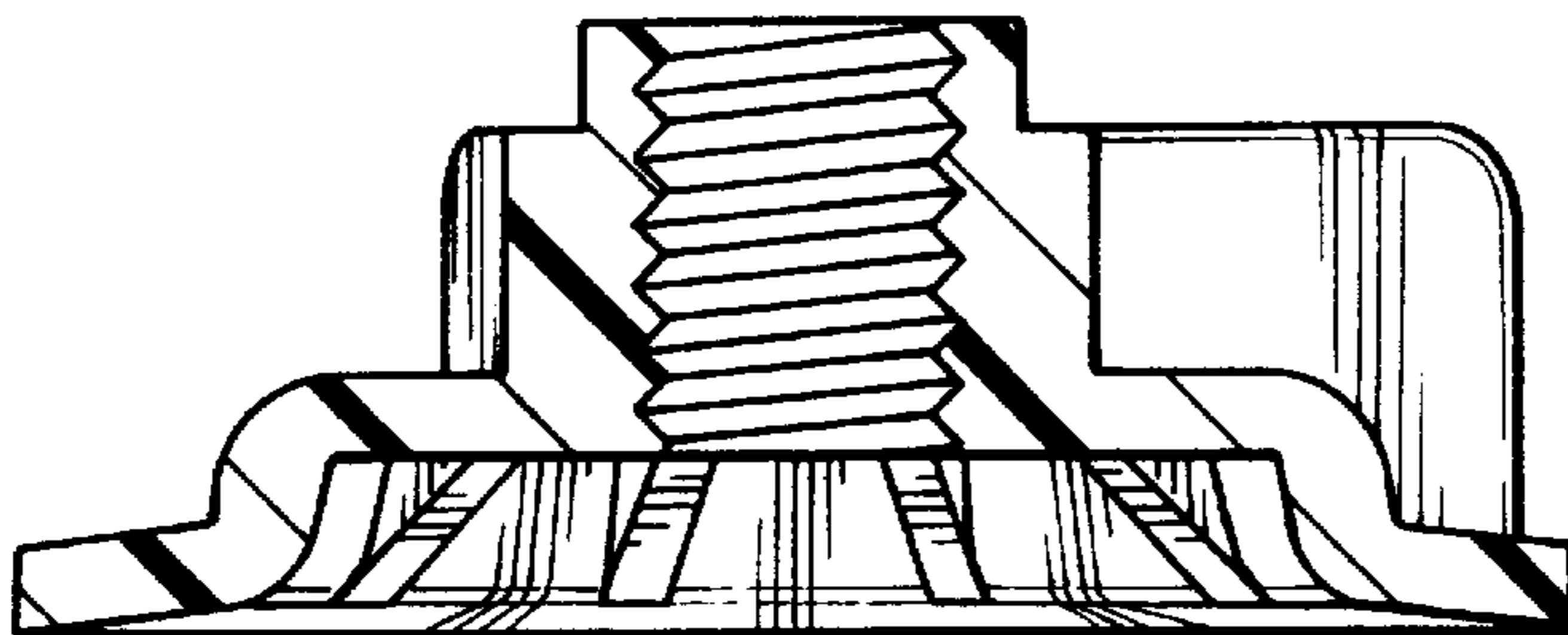


Fig-6