



US00D427052S

United States Patent [19]

[11] Patent Number: Des. 427,052

Nagato

[45] Date of Patent: ** Jun. 27, 2000

[54] PROXIMITY-SENSOR MOUNT FOR A FLUID PRESSURE CYLINDER

[75] Inventor: Yasuhiro Nagato, Tsukuba-gun, Japan

[73] Assignee: SMC Corporation, Tokyo, Japan

[**] Term: 14 Years

[21] Appl. No.: 29/106,453

[22] Filed: Jun. 17, 1999

[30] Foreign Application Priority Data

Dec. 17, 1998 [JP] Japan 10-36441

[51] LOC (7) Cl. 08-08

[52] U.S. Cl. D8/396

[58] Field of Search D8/394-396, 356; 24/336, 339; 248/68.1, 74.1-74.4, 224.51, 223.31, 224.61, 229.1

[56] References Cited

U.S. PATENT DOCUMENTS

- D. 375,449 11/1996 Dahlberg D8/349
- D. 403,233 12/1998 Nagato .
- D. 403,234 12/1998 Nagato .
- D. 404,637 1/1999 Nagato .
- D. 407,296 3/1999 Nagato .
- D. 414,405 9/1999 Thompkins D8/396
- 3,357,664 12/1967 Geyer 248/74.4

Primary Examiner—Holly Baynham
Attorney, Agent, or Firm—Oblon, Spivak, McClelland, Maier & Neustadt, P.C.

[57] CLAIM

The ornamental design for proximity-sensor mount for a fluid pressure cylinder, as shown and described.

DESCRIPTION

FIG. 1 is a top, front and left side perspective view of proximity-sensor mount for a fluid pressure cylinder embodying my design;

FIG. 2 is a bottom, rear and right side perspective view thereof;

FIG. 3 is a front elevational view thereof;

FIG. 4 is a rear elevational view thereof;

FIG. 5 is a top plan view thereof;

FIG. 6 is a bottom plan view thereof;

FIG. 7 is a left side electrical view thereof;

FIG. 8 is a cross sectional view thereof taken along lines 8—8 in FIG. 3;

FIG. 9 is a left side view thereof showing the proximity-sensor mount for a fluid pressure cylinder in an opened state; and,

FIG. 10 is a top-front and left side perspective view thereof showing the proximity-sensor mount for a fluid pressure cylinder when in use.

The phantom line showing in FIG. 10 is for illustrative purposes only and forms no part of the claimed design.

1 Claim, 3 Drawing Sheets

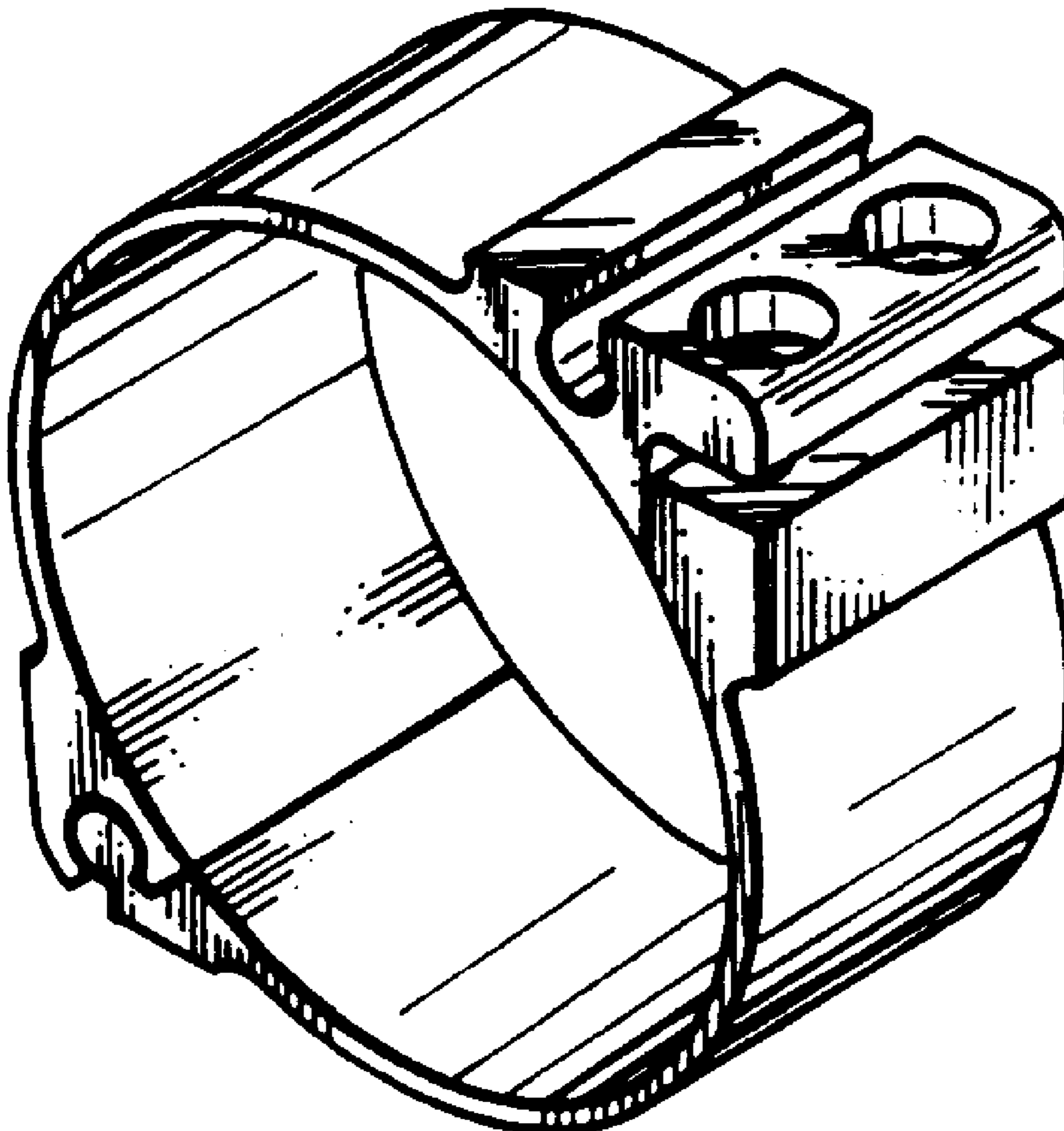


FIG. 1

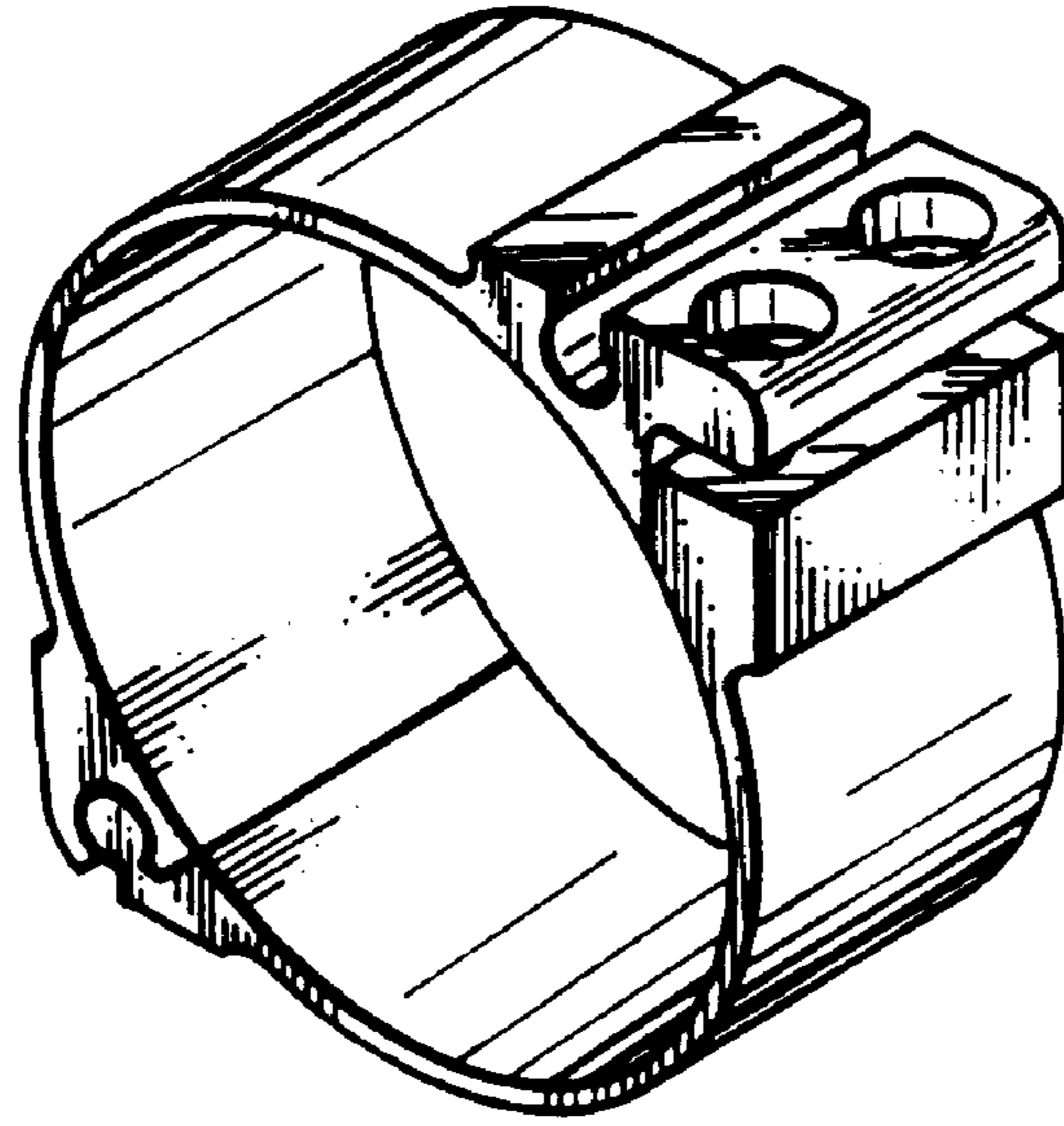
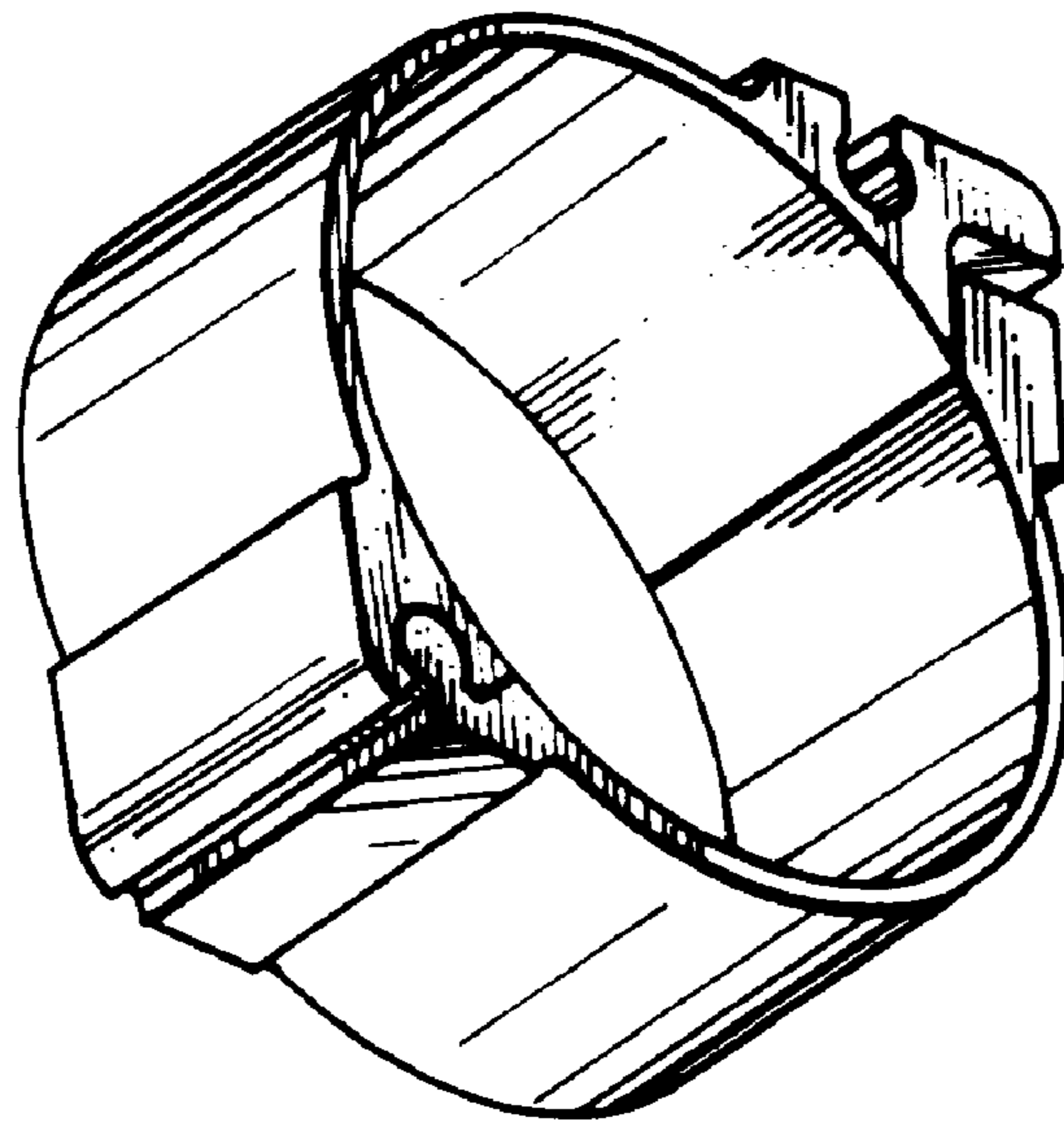


FIG. 2



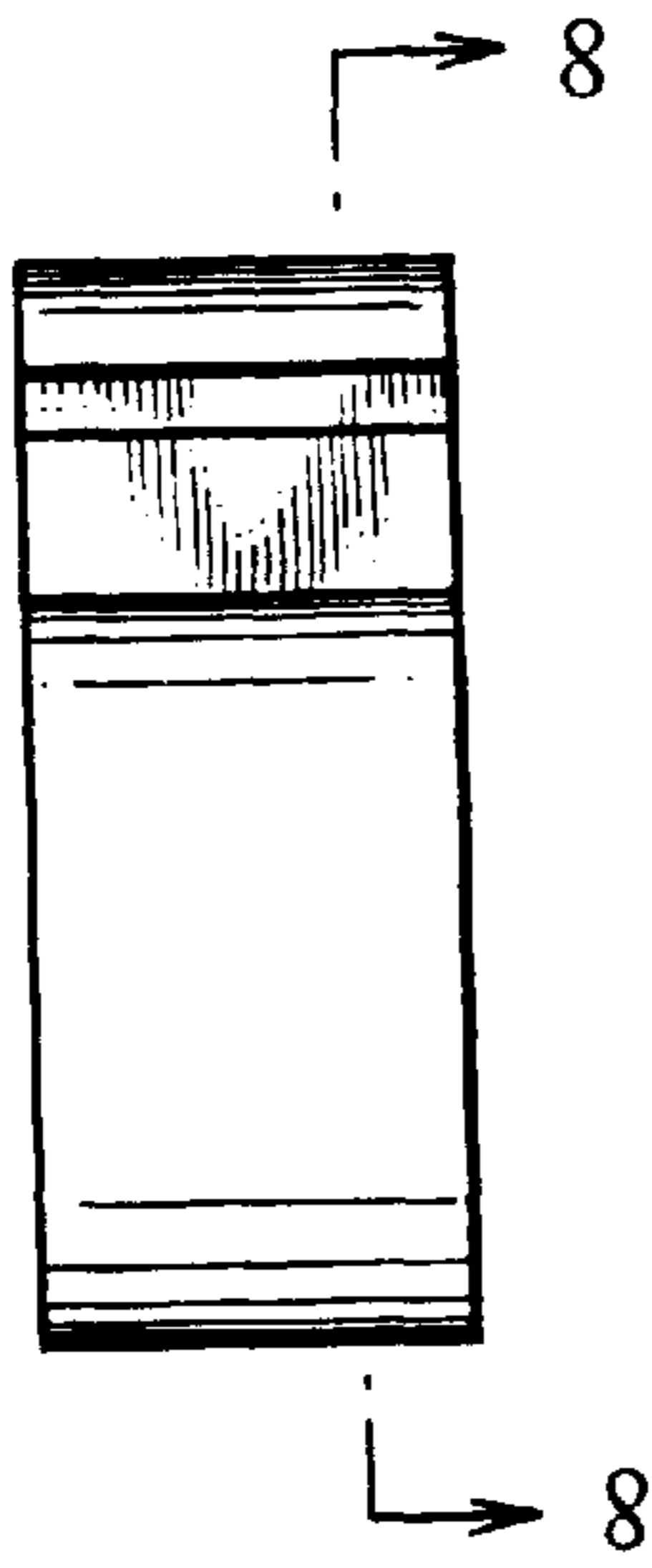


FIG. 3

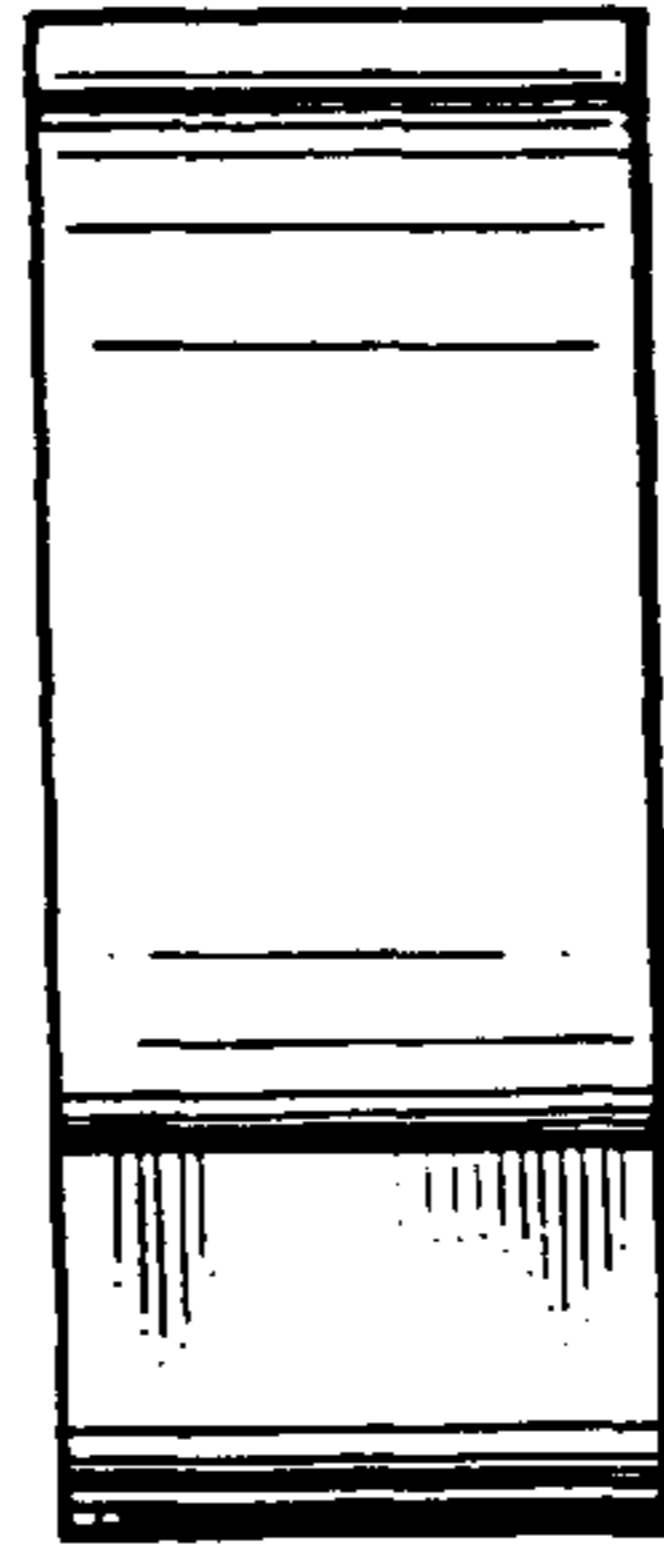


FIG. 4

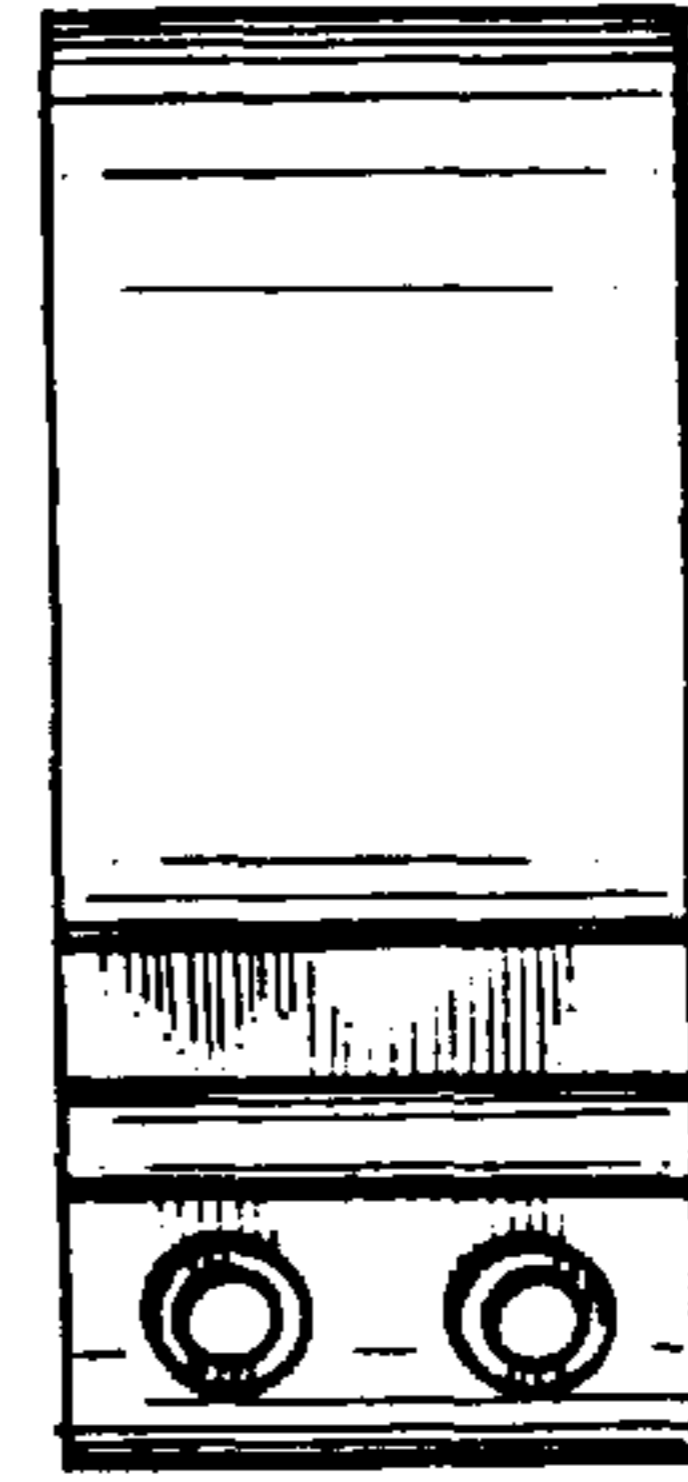


FIG. 5

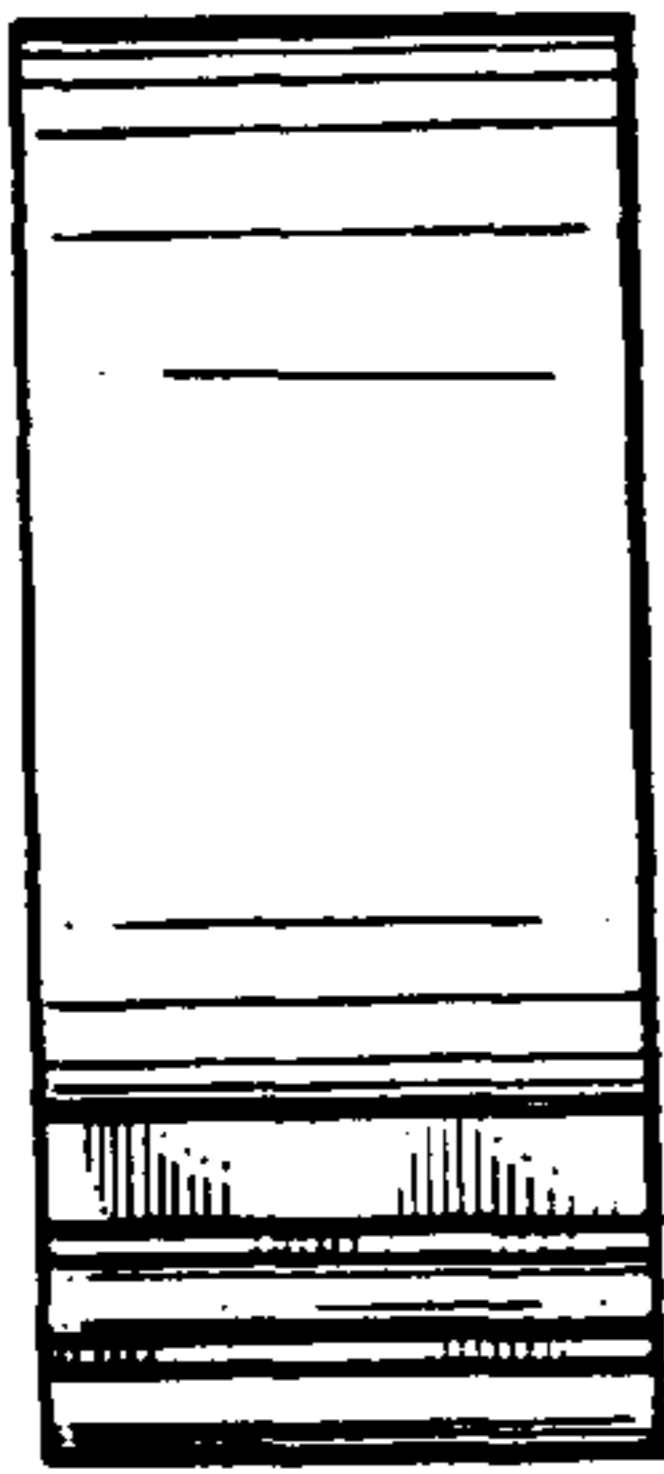


FIG. 6

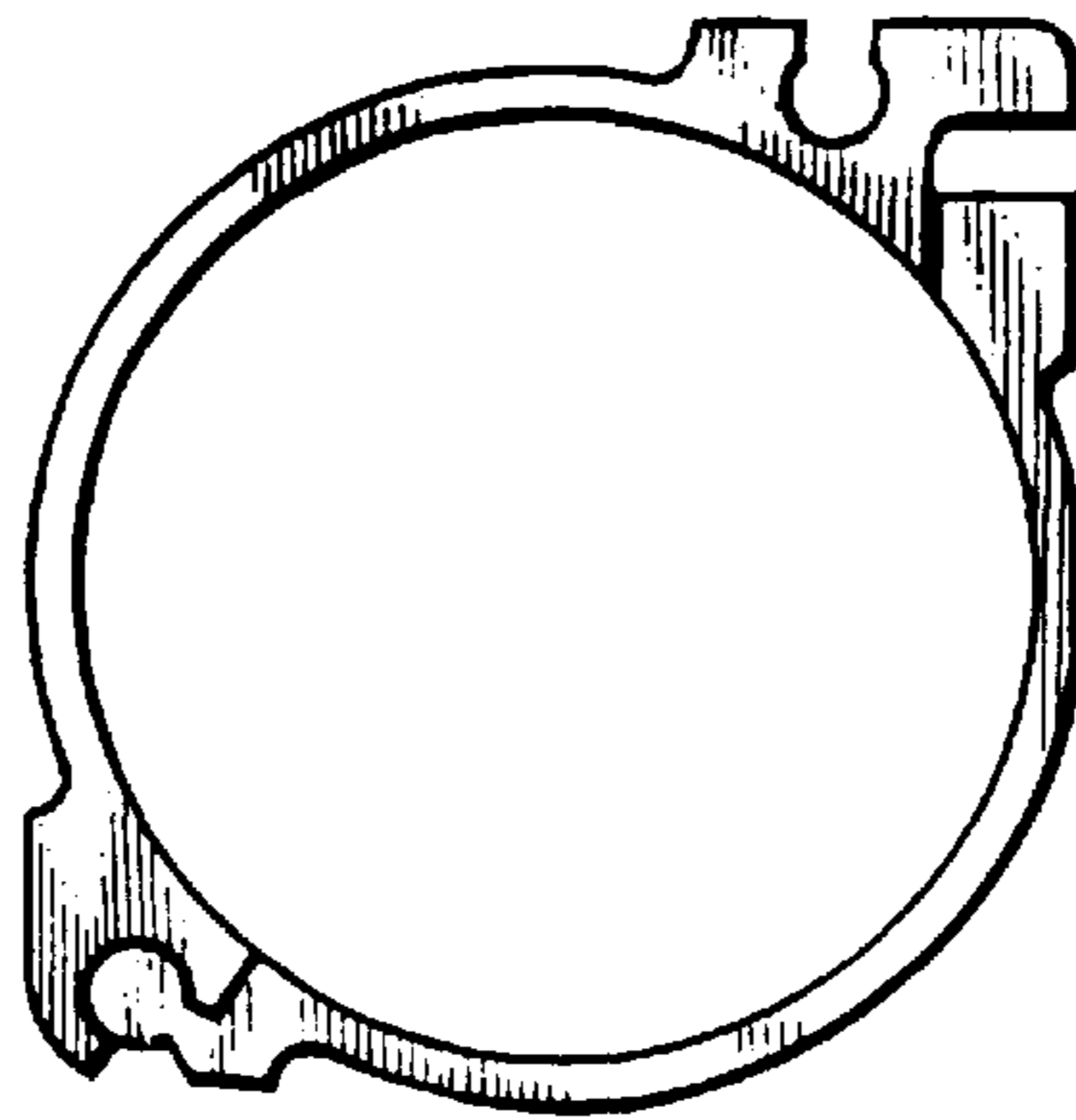


FIG. 7

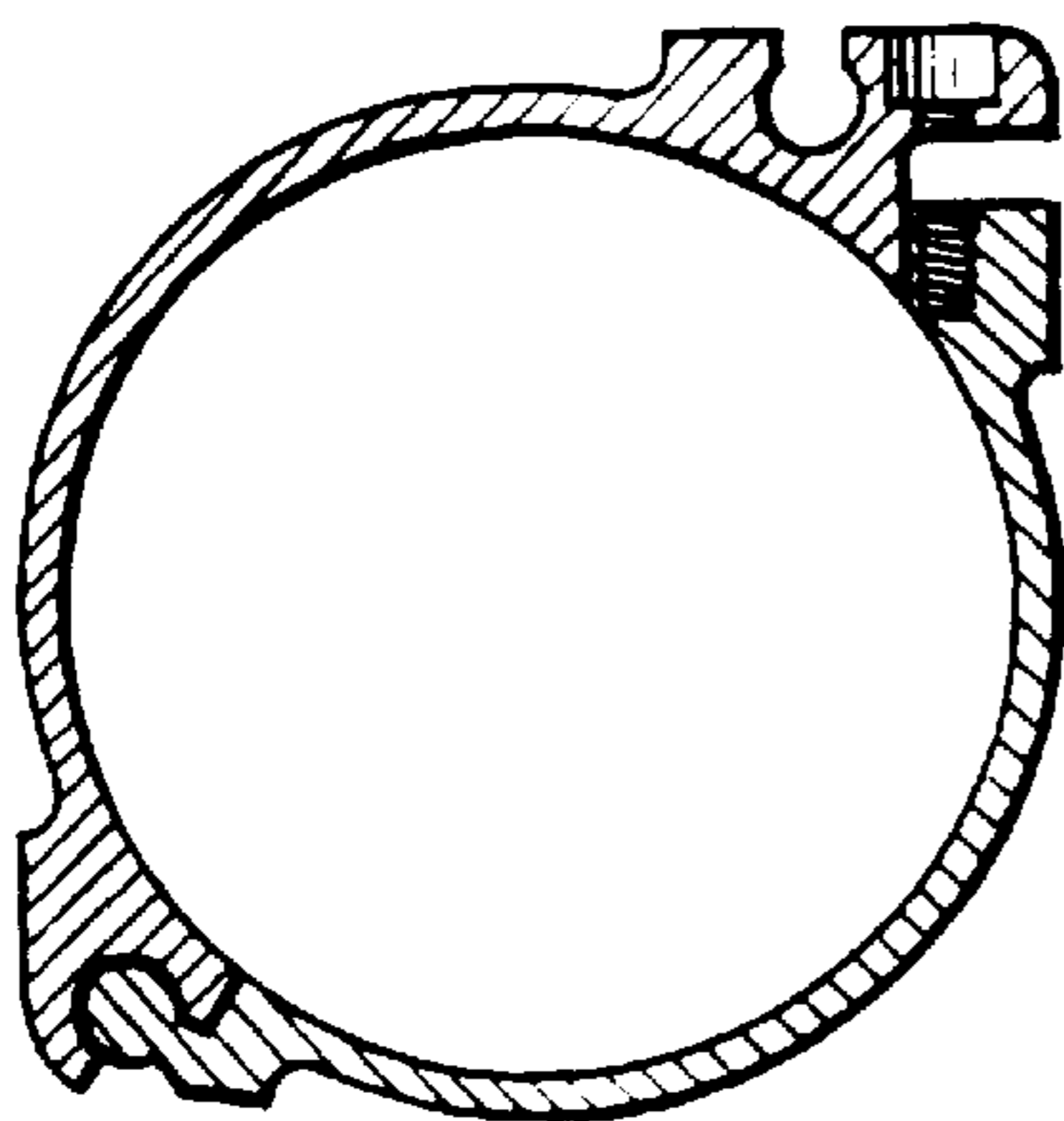


FIG. 8

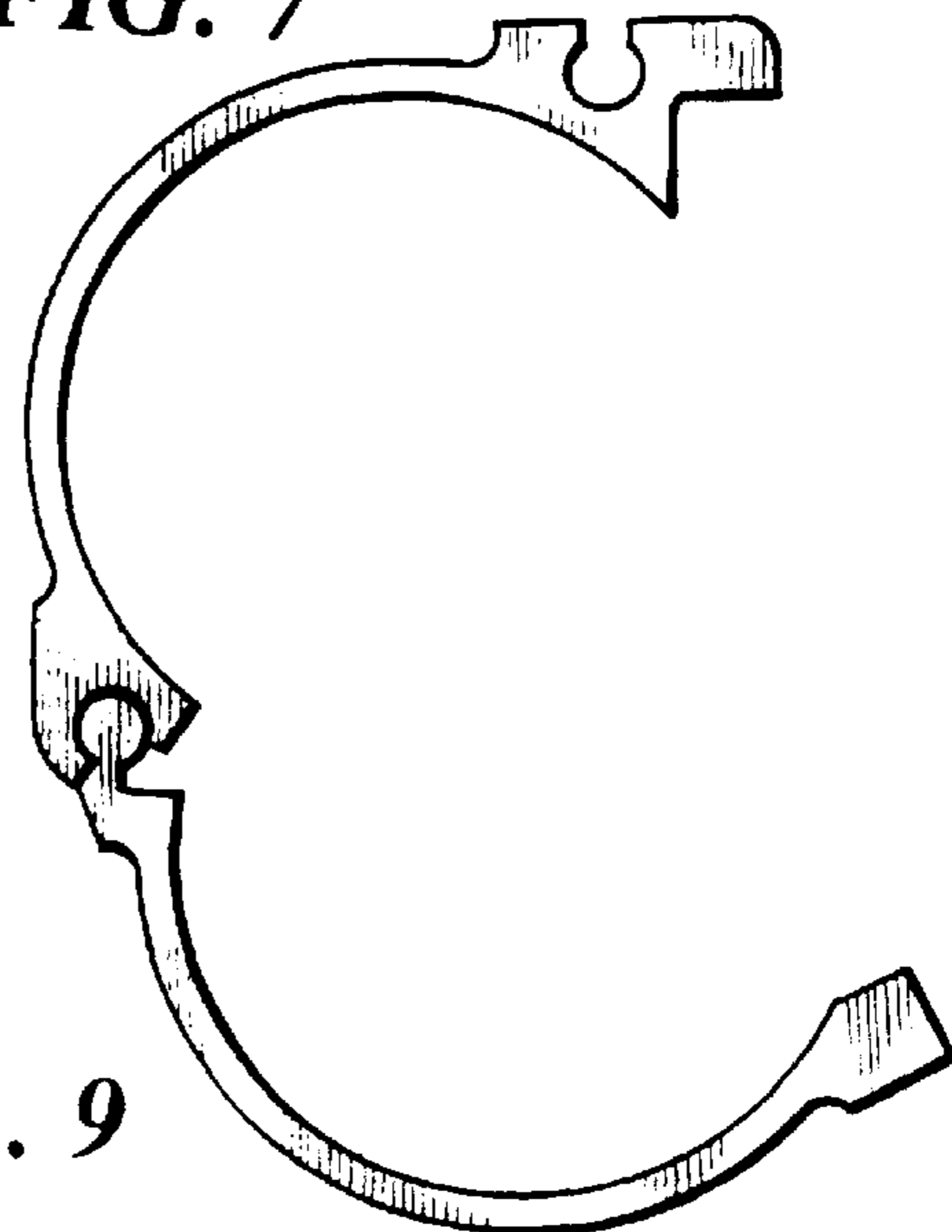


FIG. 9

FIG. 10

