



US00D427051S

# United States Patent [19]

Lodi

[11] Patent Number: **Des. 427,051**

[45] Date of Patent: **\*\* Jun. 27, 2000**

[54] **WIRE HARNESS CLAMP WITH A KEYSLOT LOCKING BASE**

5,639,049 6/1997 Jennings ..... 248/74.2  
5,730,402 3/1998 Sallen ..... 248/74.2

[75] Inventor: **Frank Lodi, Niles, Ill.**

*Primary Examiner*—B. J. Bullock  
*Attorney, Agent, or Firm*—Martin Faier; Faier & Faier P.C.

[73] Assignee: **Richco Inc., Chicago, Ill.**

[\*\*] Term: **14 Years**

[57] **CLAIM**

The ornamental design for a wire harness clamp with a keyslot locking base, as shown and described.

[21] Appl. No.: **29/107,863**

**DESCRIPTION**

[22] Filed: **Jul. 16, 1999**

[51] **LOC (7) Cl.** ..... **08-08**

[52] **U.S. Cl.** ..... **D8/395; D8/396**

[58] **Field of Search** ..... D8/394-396; D13/154, D13/199; 174/93, 65 R, 65 G, 158 R, 161 R, 164; 248/73, 74.2, 316.7, 68.1; 385/134-6

FIG. 1 is a perspective view of a device embodying the invention.

FIG. 2 is a front elevational view of a device embodying the invention.

FIG. 3 is a rear elevational view of a device embodying the invention.

FIG. 4 is a top view of a device embodying the invention.

FIG. 5 is a bottom view of a device embodying the invention; and,

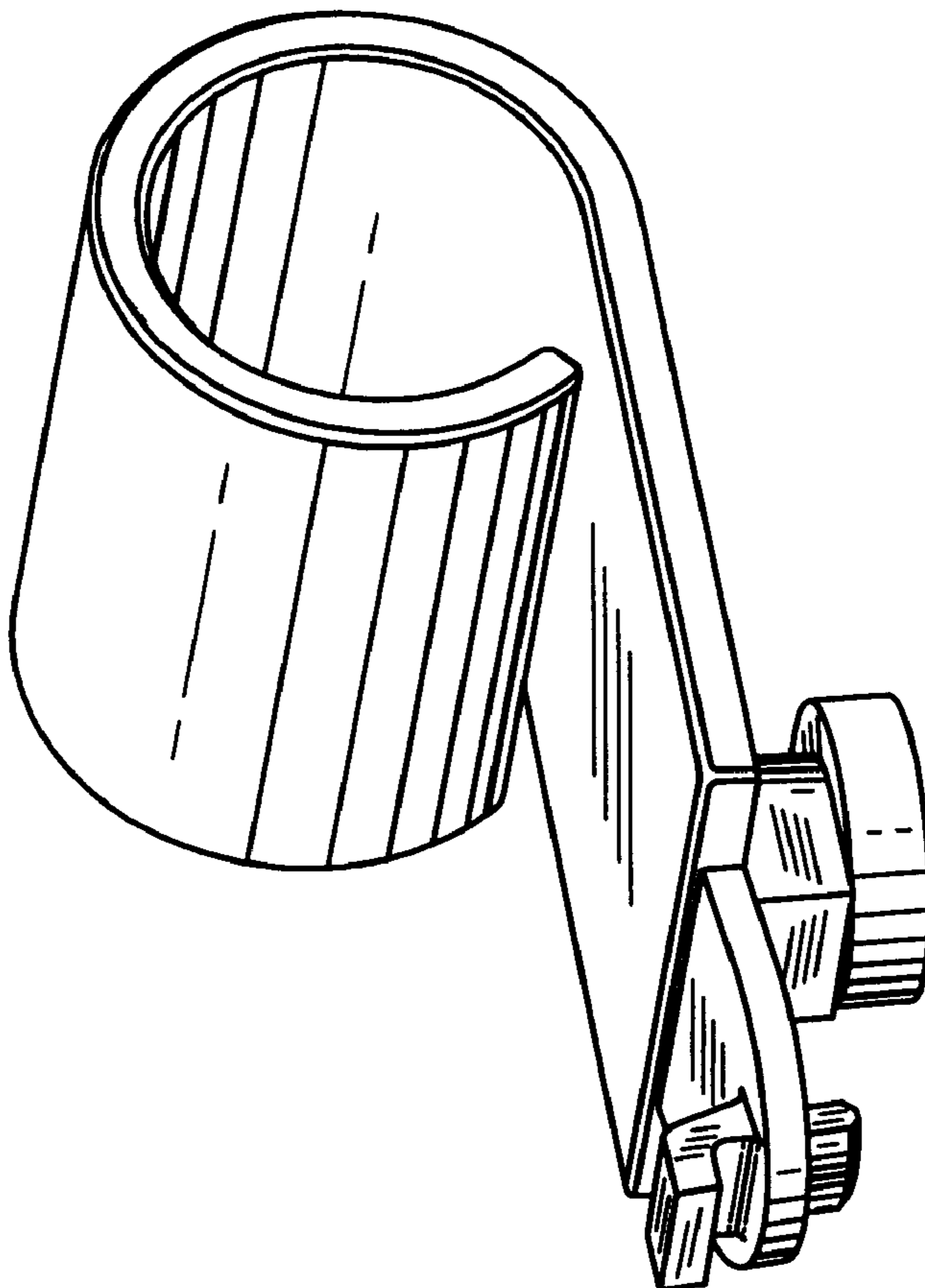
FIG. 6 is a side view of a device embodying the invention, both the left and right side being substantially identical and mirror images of one another.

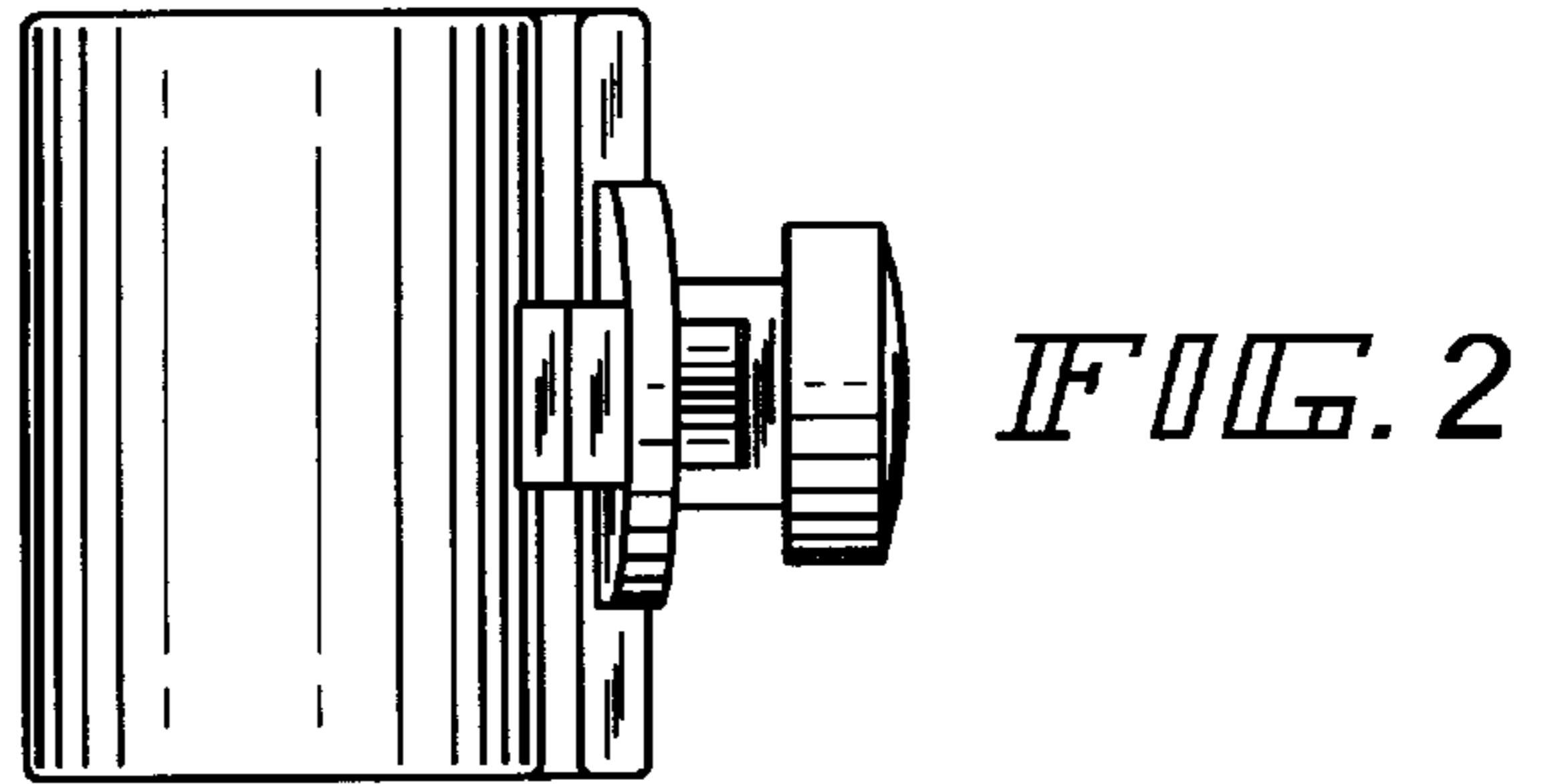
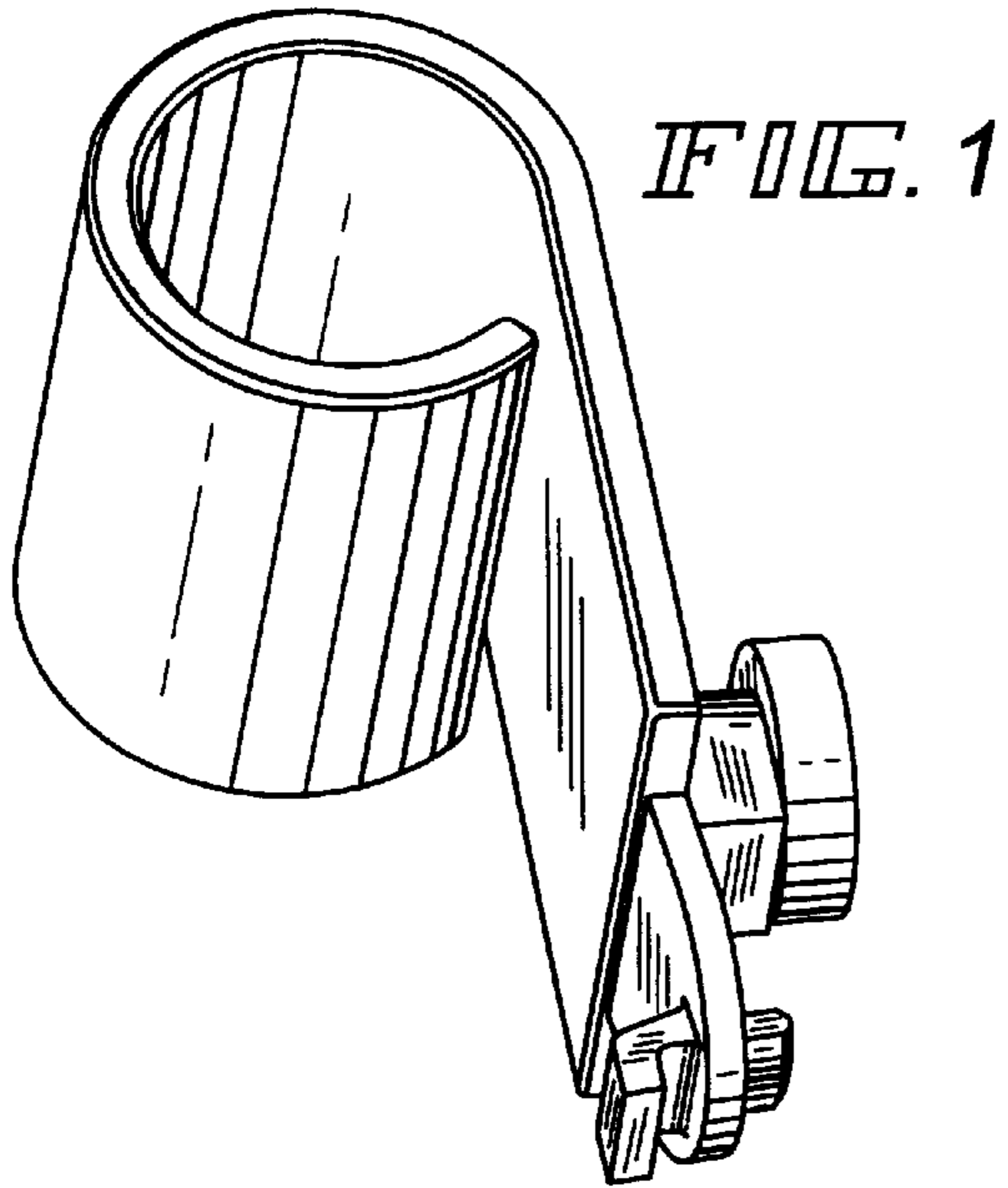
[56] **References Cited**

**U.S. PATENT DOCUMENTS**

- 1,308,869 7/1919 Rohmer .
- 4,063,334 12/1977 Rohman .
- 4,347,999 9/1982 Sato et al. .... 248/73
- 4,460,139 7/1984 Bochen et al. .... 248/68.1
- 4,865,279 9/1989 Kosugi ..... 248/68.1

**1 Claim, 1 Drawing Sheet**





*FIG. 4*

