



US00D427050S

United States Patent [19]
Bryan

[11] **Patent Number: Des. 427,050**
[45] **Date of Patent: ** Jun. 27, 2000**

[54] **DECK CONNECTOR**

5,860,257 1/1999 Gerhafer et al. 52/506.05

[75] Inventor: **Bob Bryan**, Etobicoke, Canada

Primary Examiner—Alan P. Douglas
Assistant Examiner—Reid Hecker
Attorney, Agent, or Firm—Eugene J. A. Gierczak

[73] Assignee: **Brite Millwork Inc.**, Bolton, Canada

[**] Term: **14 Years**

[57] **CLAIM**

[21] Appl. No.: **29/112,223**

The ornamental design for the “deck connector”, as shown and described.

[22] Filed: **Oct. 14, 1999**

DESCRIPTION

[51] **LOC (7) Cl.** **08-08**

[52] **U.S. Cl.** **D8/382**

[58] **Field of Search** D8/349, 354, 381,
D8/382, 396, 400; D25/114, 116, 117, 154,
155; 52/506.05, 582.1, 698, 588.1

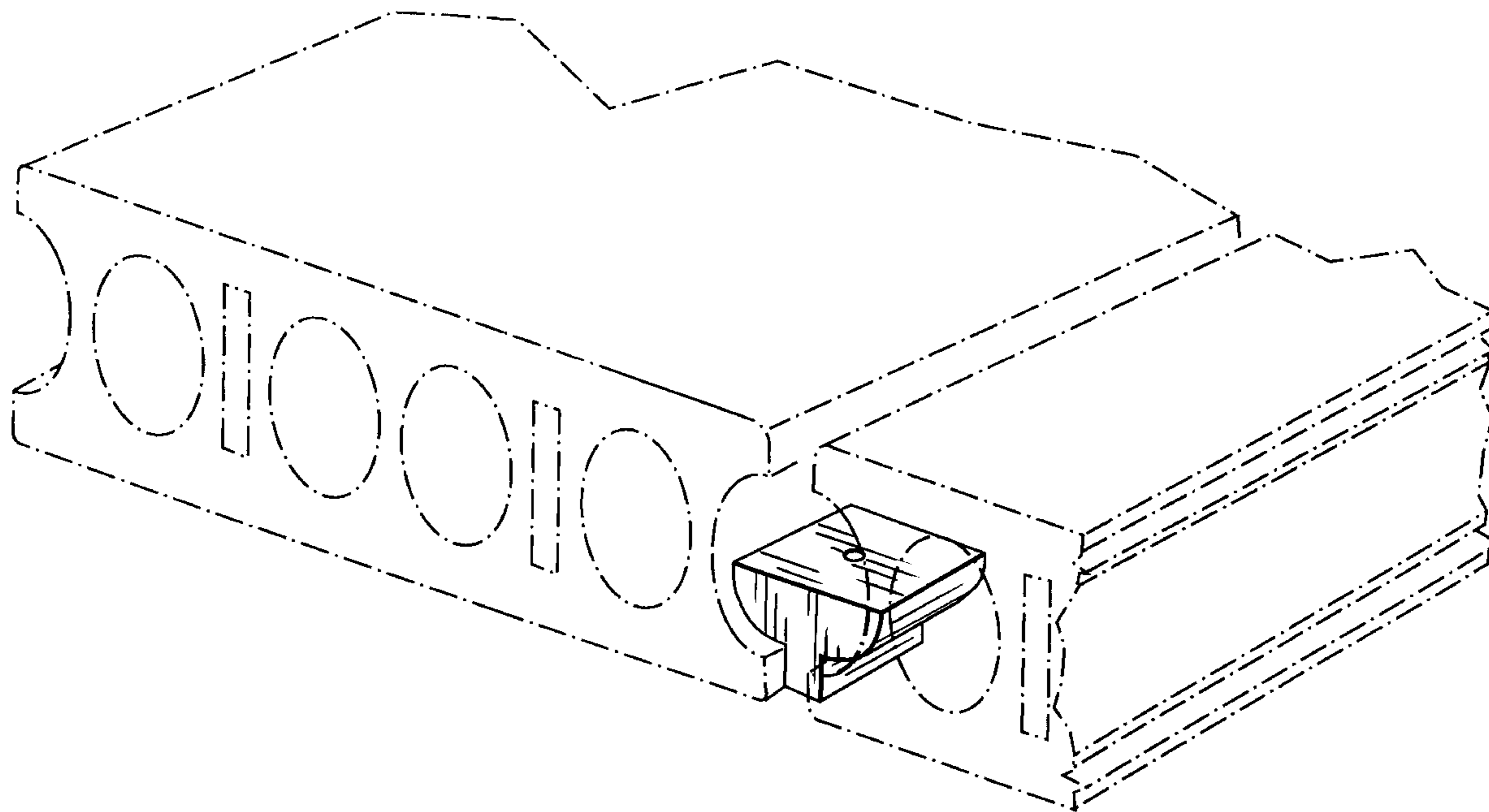
FIG. 1 is a top perspective view of the deck connector.
FIG. 2 is a bottom perspective view of said deck connector.
FIG. 3 is a front plan view of said deck connector.
FIG. 4 is a side view of said deck connector.
FIG. 5 is a top view of the deck connector.
FIG. 6 is a bottom view of said deck connector.
FIG. 7 is a front view of said deck connector in operation with deck panelling; and,
FIG. 8 is a top perspective view of said deck connector.
The broken line showing of deck paneling in FIGS. 7 and 8 is for illustrative purposes only and forms no part of the claimed design.

[56] **References Cited**

U.S. PATENT DOCUMENTS

D. 253,865	1/1980	Hagglund	D8/382
D. 344,013	2/1994	Rodrigue	D8/382
D. 384,271	9/1997	Kozyrski	D8/382
D. 403,237	12/1998	Opielski et al.	D8/400
2,299,070	10/1942	Rogers et al.	52/698
5,359,954	11/1994	Kordelin	52/588.1

1 Claim, 3 Drawing Sheets



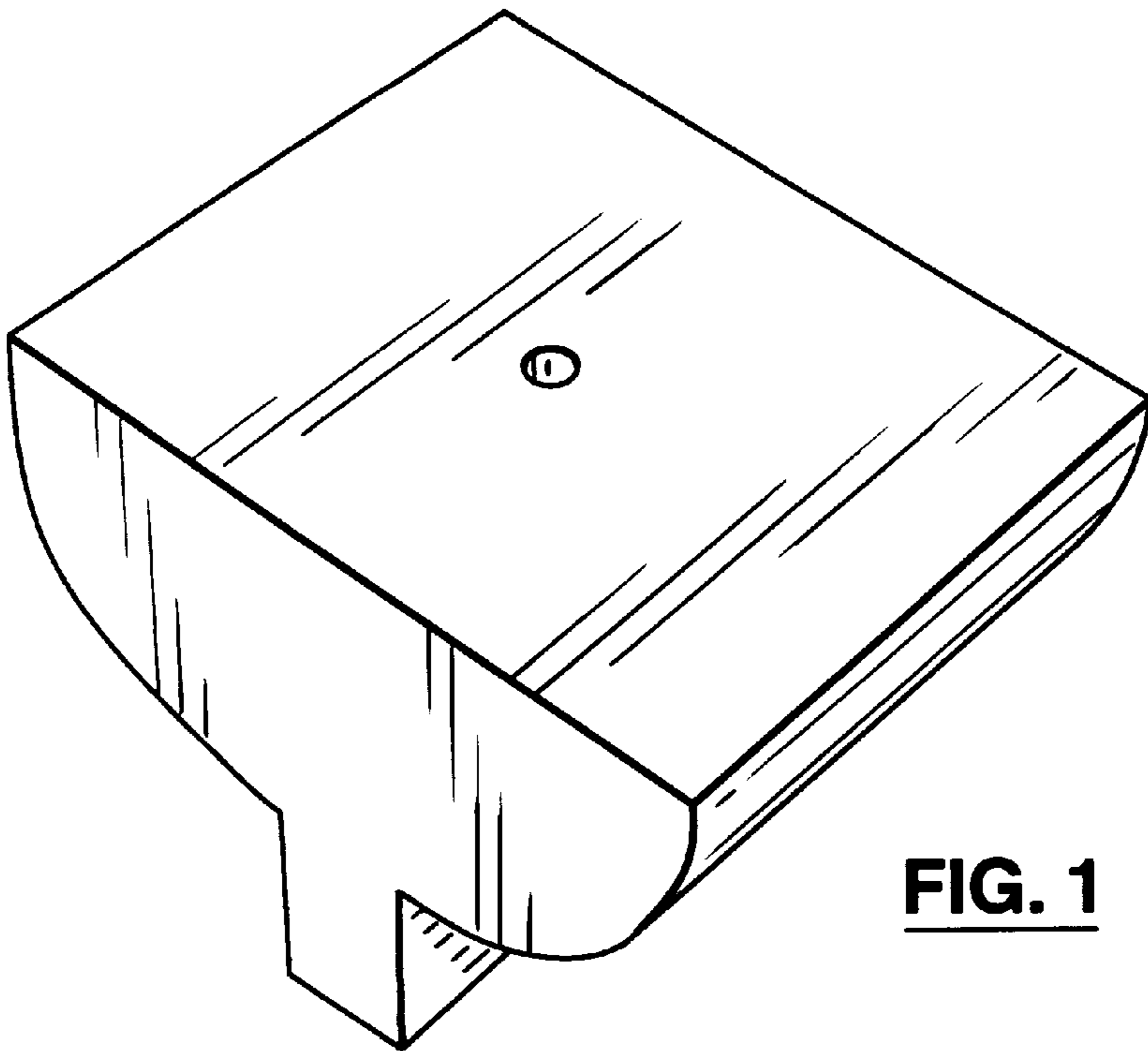


FIG. 1

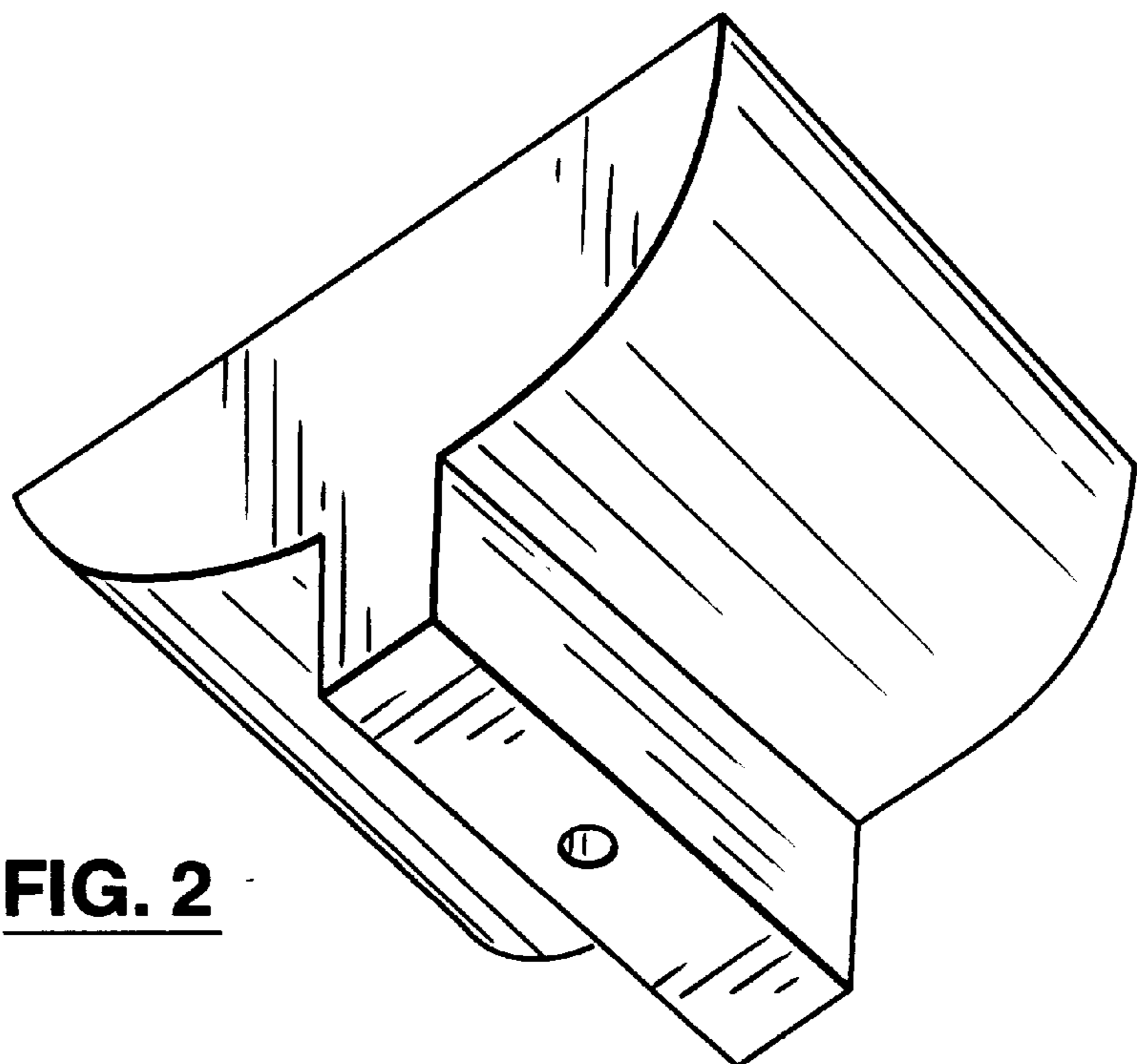


FIG. 2

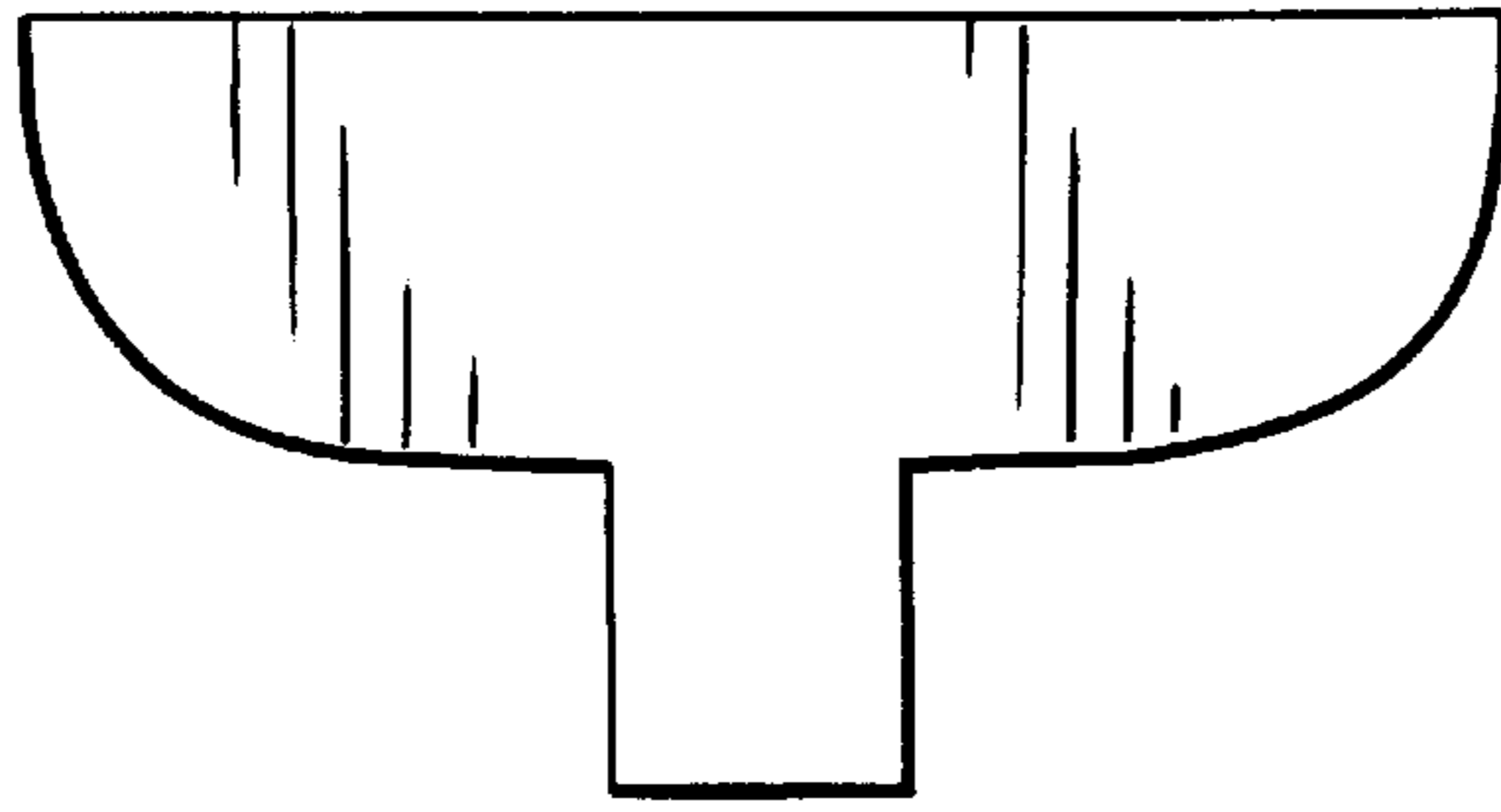


FIG. 3

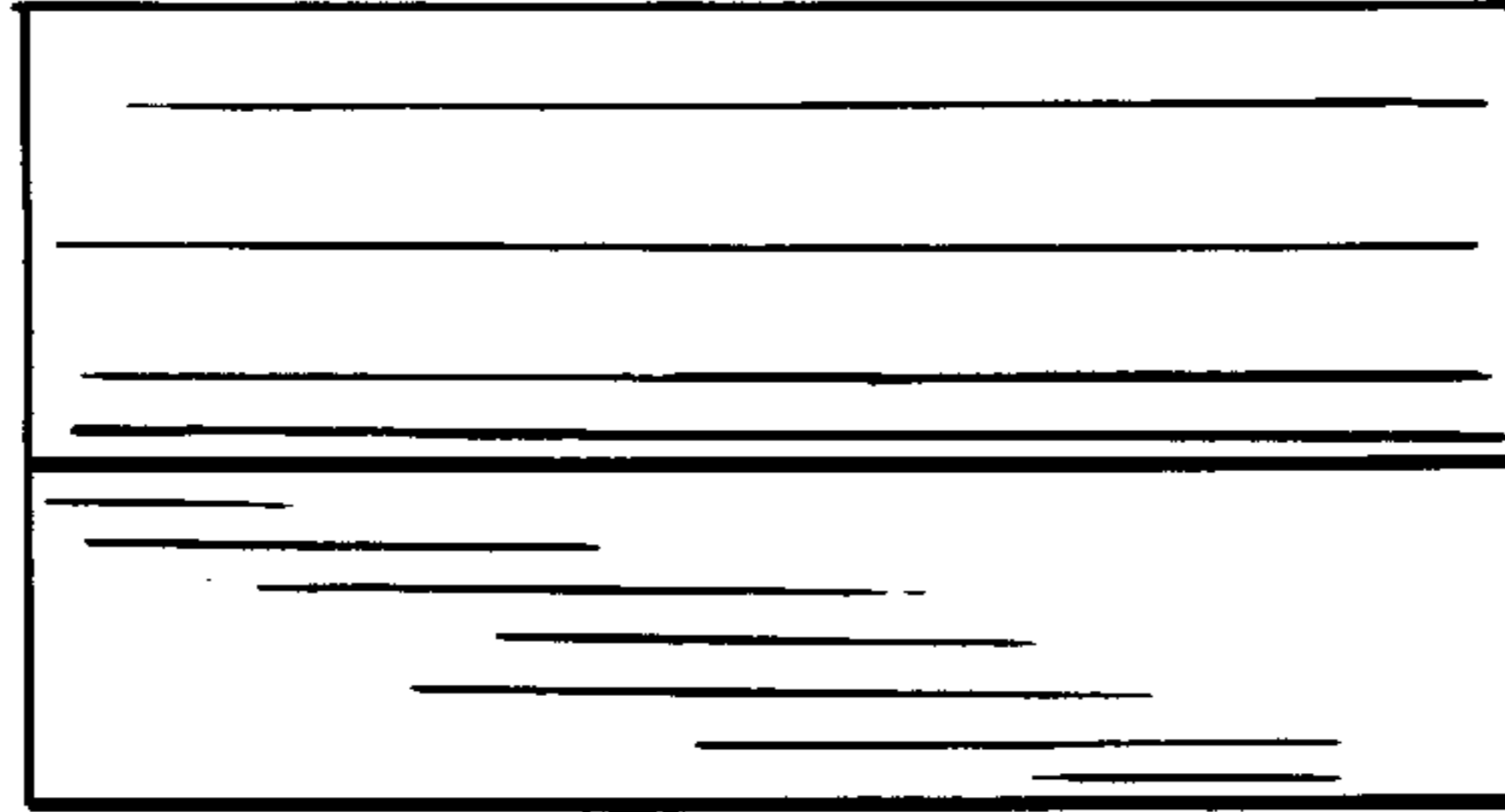


FIG. 4

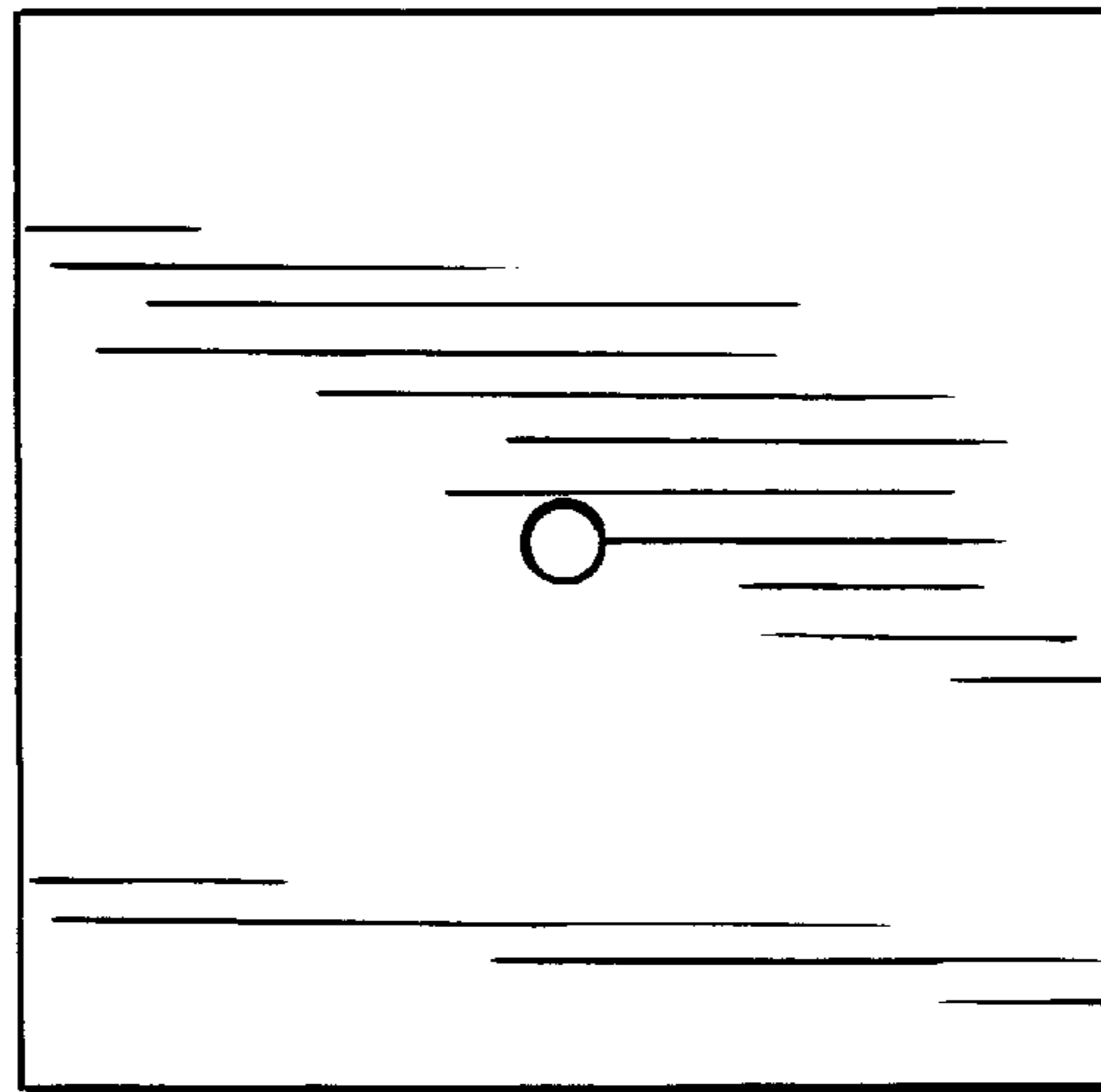


FIG. 5

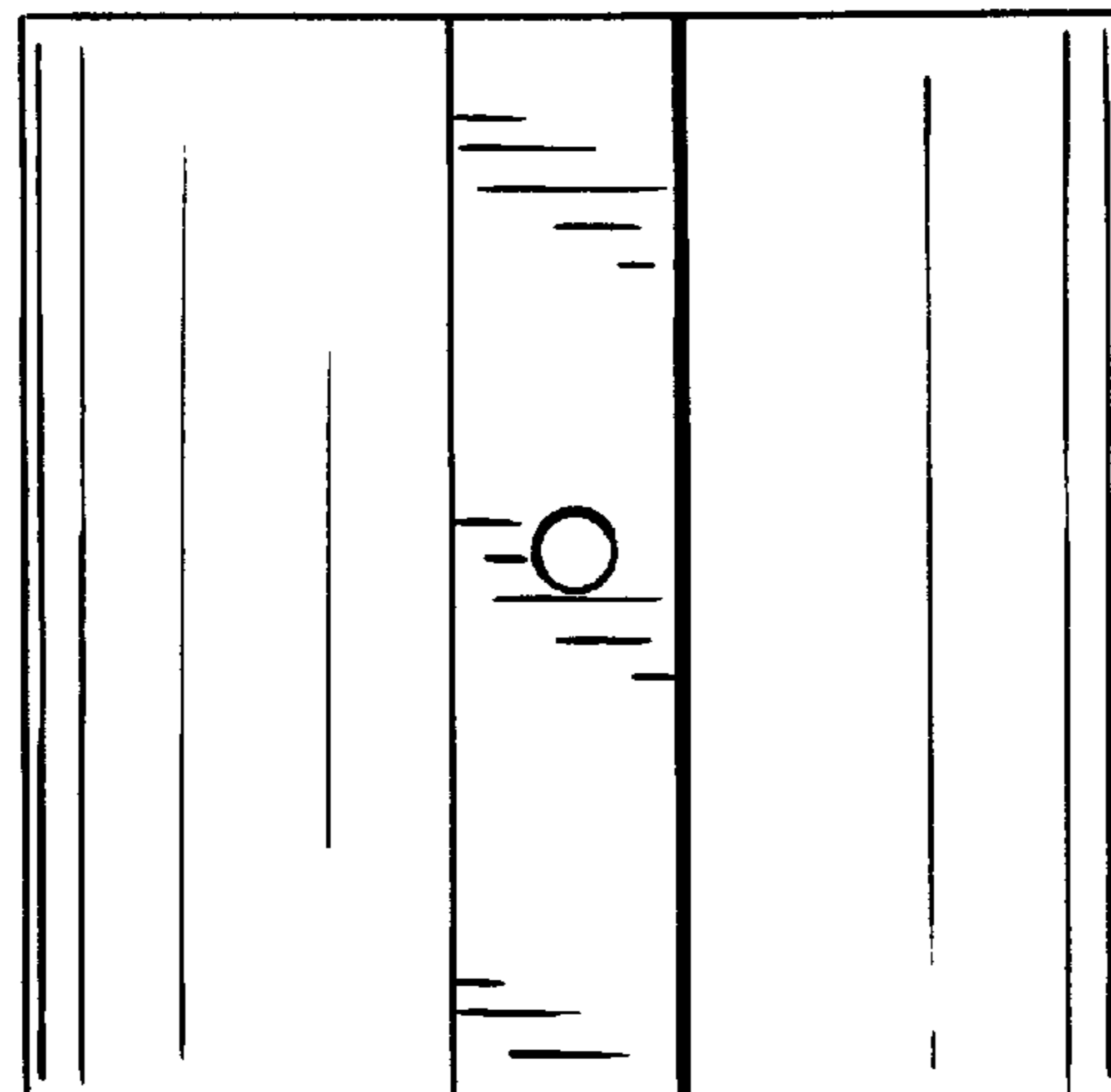


FIG. 6

