



US00D427049S

United States Patent [19]

[11] Patent Number: **Des. 427,049**

Neider et al.

[45] Date of Patent: **** Jun. 27, 2000**

[54] **ROOF TOP PIPE SUPPORT**

[75] Inventors: **Michael A. Neider**, Sandy; **Nathan M. Sargent**, Coalville, both of Utah

[73] Assignee: **Miro Industries, Inc.**, Sandy, Utah

[**] Term: **14 Years**

[21] Appl. No.: **29/115,975**

[22] Filed: **Dec. 27, 1999**

[51] **LOC (7) Cl.** **08-05**

[52] **U.S. Cl.** **D8/380**

[58] **Field of Search** D8/380; 248/49, 248/55

| | | | | |
|-----------|---------|-------------|-------|----------|
| 2,103,811 | 12/1937 | Davis | | 248/55 |
| 3,769,190 | 10/1973 | Deem, Jr. | | 248/55 |
| 4,502,653 | 3/1985 | Curtis, Jr. | | 248/55 |
| 4,513,934 | 4/1985 | Pruyne | | 248/49 |
| 5,028,149 | 7/1991 | Hardtke | | 248/55 X |
| 5,217,191 | 6/1993 | Smith | | 248/55 |
| 5,685,508 | 11/1997 | Smith | | 248/55 |
| 5,829,718 | 11/1998 | Smith | | 248/55 |

Primary Examiner—Holly Baynham
Attorney, Agent, or Firm—Mallinckrodt & Mallinckrodt

[57] CLAIM

The ornamental design for a roof top pipe support, as shown and described.

DESCRIPTION

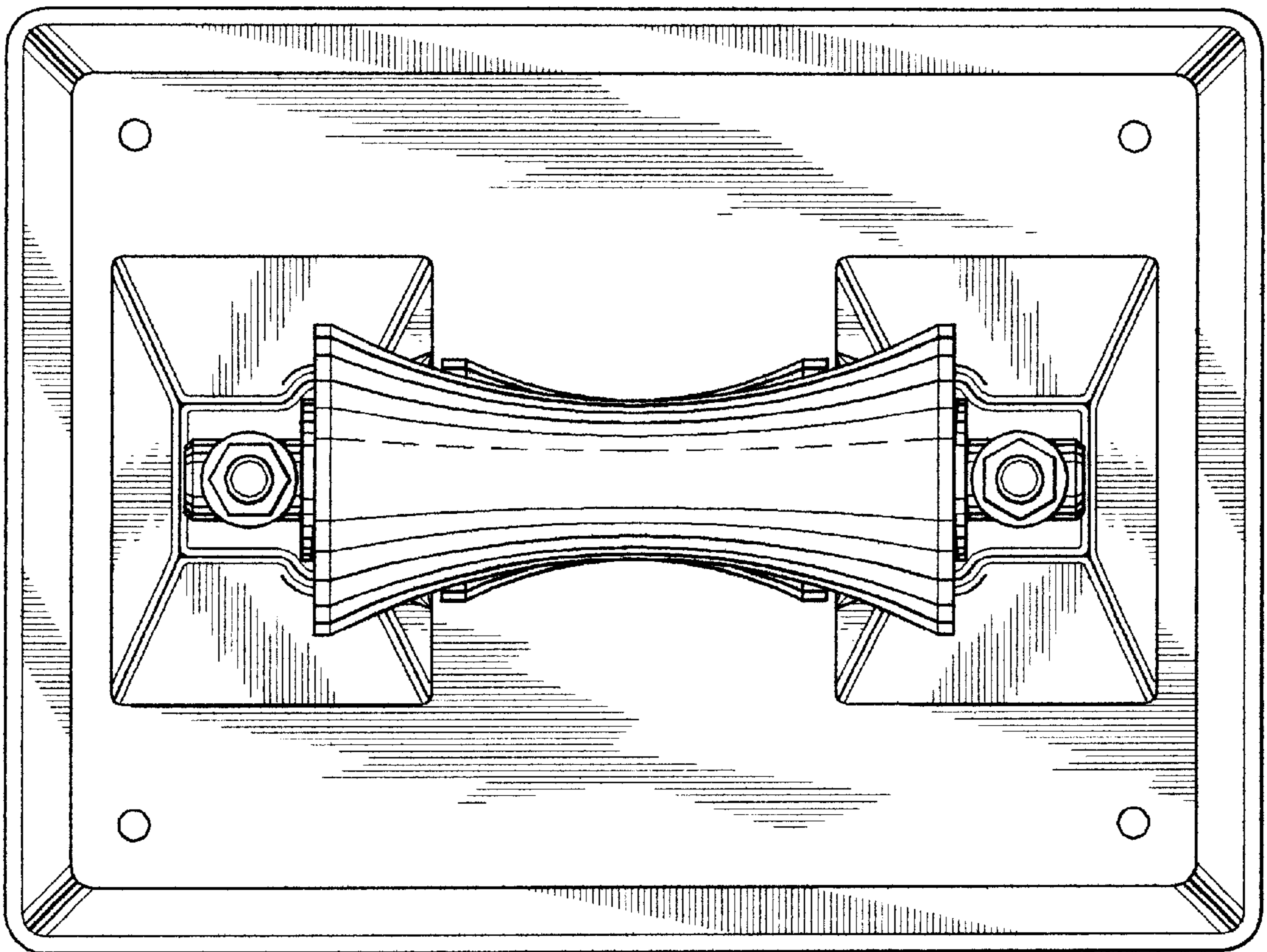
FIG. 1 is a top plan view of the pipe of the invention; FIG. 2 is a front elevational view thereof, the rear side being a mirror image thereof; FIG. 3 is a bottom plan view thereof; and, FIG. 4 is a right side elevational view thereof, the left side being a mirror image thereof.

1 Claim, 2 Drawing Sheets

[56] References Cited

U.S. PATENT DOCUMENTS

| | | | | |
|-----------|--------|-----------------|-------|--------|
| 827,575 | 7/1906 | Smead | | 248/55 |
| 1,788,939 | 1/1931 | Axlund | | 248/55 |
| 1,906,209 | 4/1933 | Harding et al. | | 248/55 |
| 1,970,840 | 8/1934 | Cardwell et al. | | 248/55 |



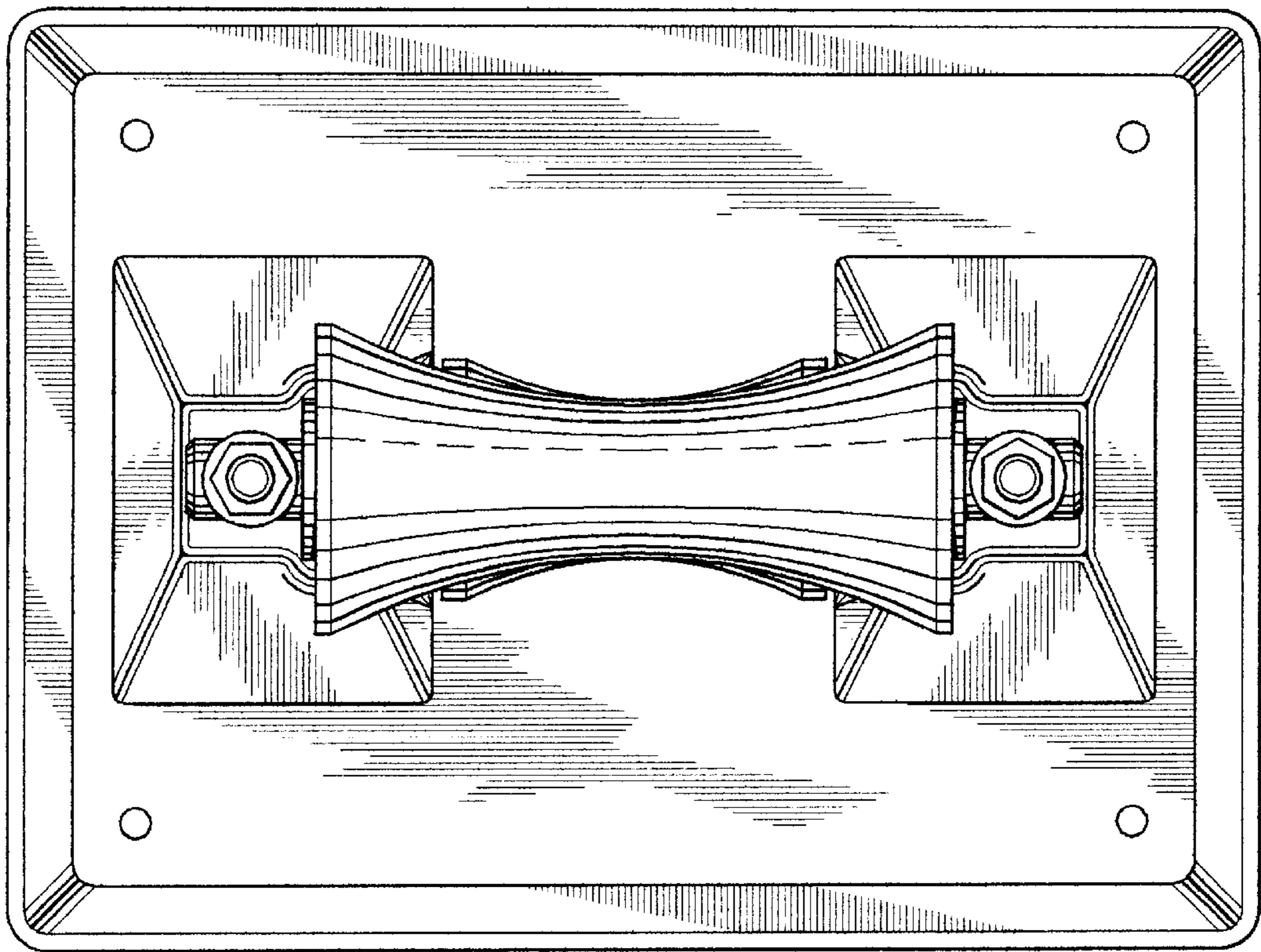


FIG. 1

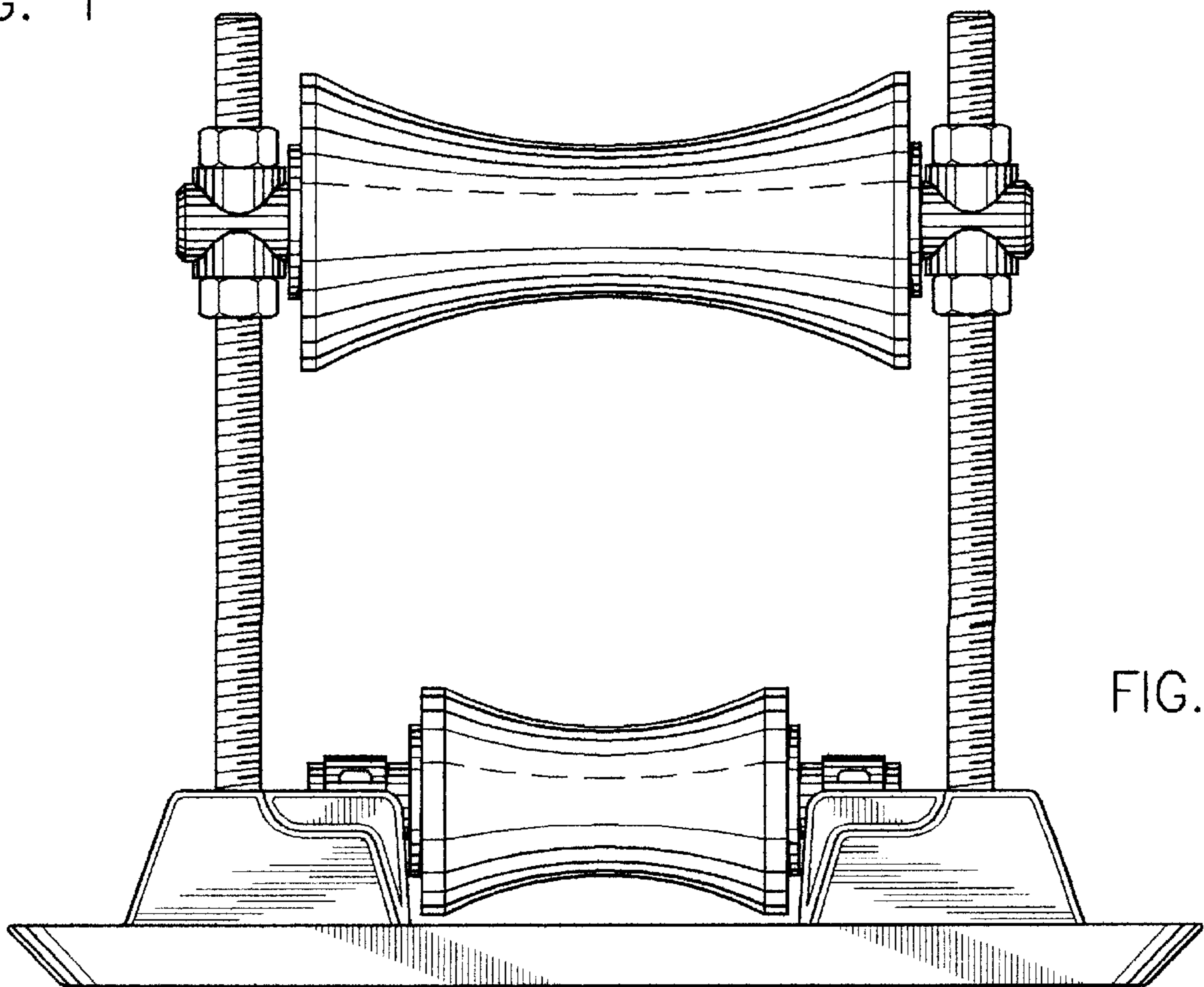


FIG. 2

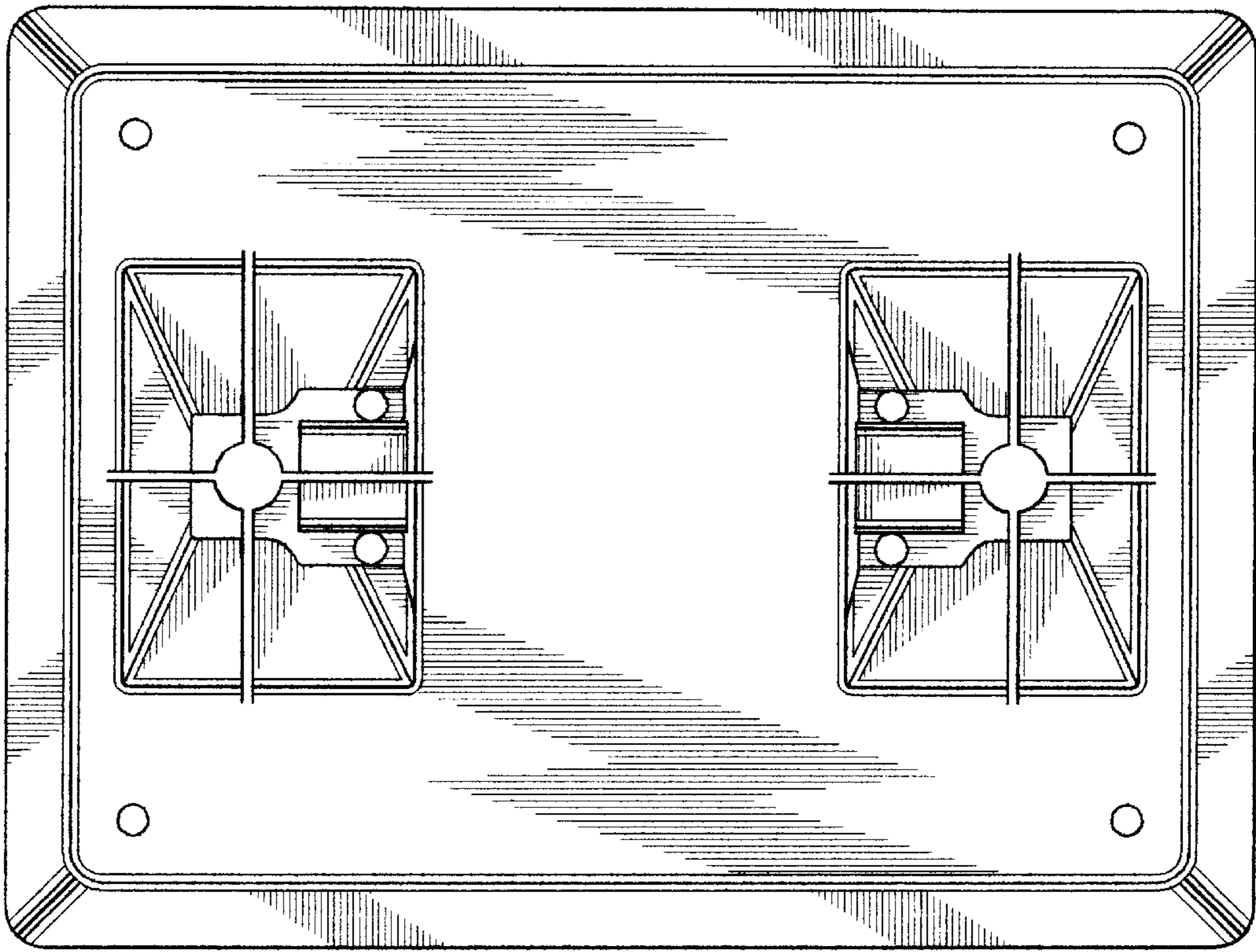


FIG. 3

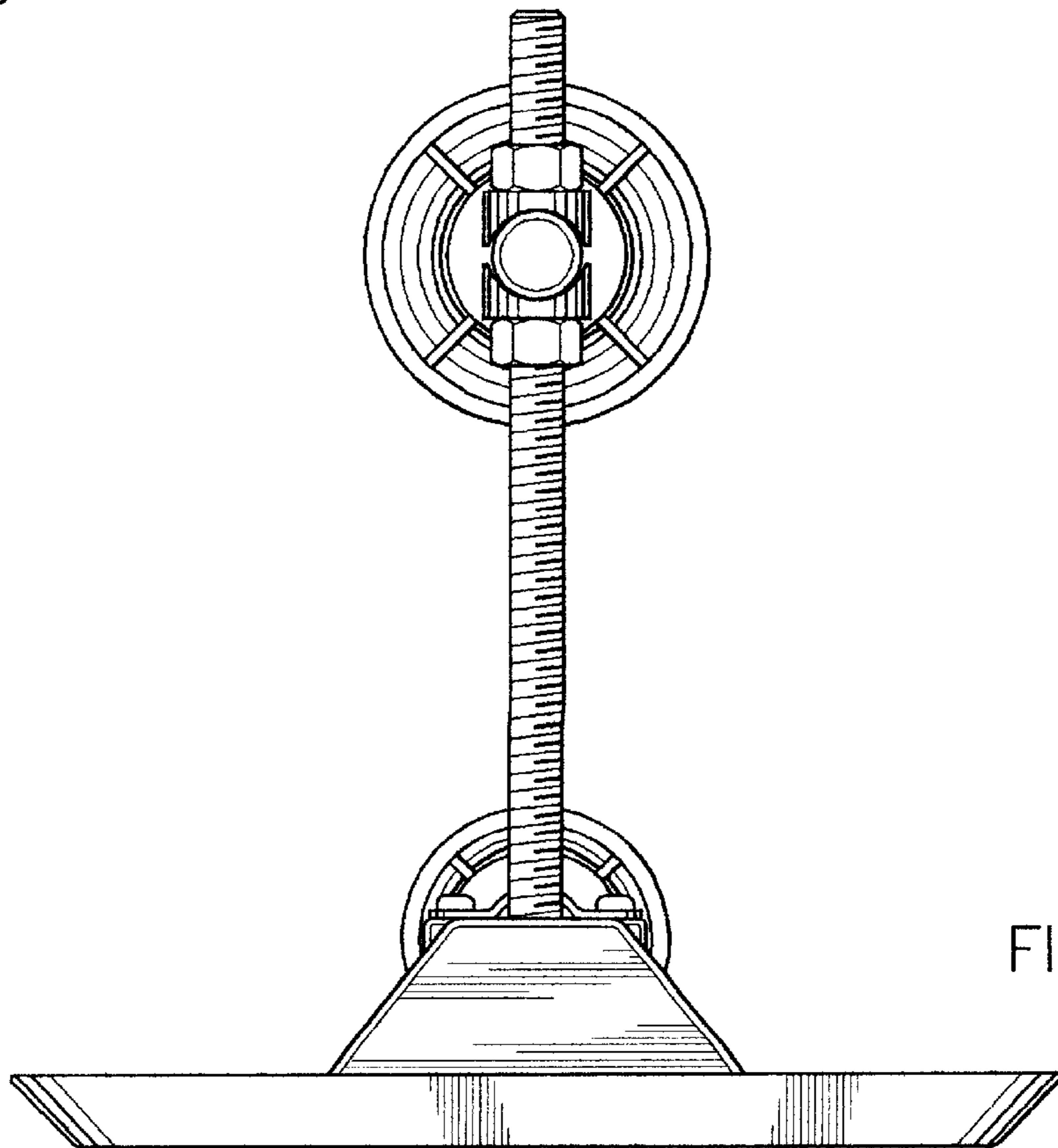


FIG. 4