



US00D427040S

United States Patent [19] Heun

[11] Patent Number: Des. 427,040

[45] Date of Patent: ** Jun. 27, 2000

[54] ELECTRIC ROTARY TOOL

[75] Inventor: Ping Hay Heun, Aberdeen, The Hong Kong Special Administrative Region of the People's Republic of China

[73] Assignee: Choon Nang Electrical Appliance Mfy., Ltd., Aberdeen, The Hong Kong Special Administrative Region of the People's Republic of China

[**] Term: 14 Years

[21] Appl. No.: 29/113,705

[22] Filed: Nov. 12, 1999

[51] LOC (7) Cl. 08-05

[52] U.S. Cl. D8/61

[58] Field of Search D8/61, 62, 70, D8/82, 83, 86, 107, DIG. 7; 81/54, 55, 57, 57.11, 57.14, 177.1, 177.85, 409, 436, 474, 900, 439, 901; 173/170, 13, 19, 29, 171, 213, 217; 451/344, 354, 357-359, 458; 310/40 R, 50

D. 374,159 10/1996 Chiang D8/61
D. 410,829 6/1999 Heun D8/61
3,873,863 3/1975 Pew 310/50
4,231,270 11/1980 Totsu 81/474
5,170,851 12/1992 Kress et al. 173/29

Primary Examiner—Martie K. Holtje
Attorney, Agent, or Firm—Leydig, Voit & Mayer

[57] CLAIM

The ornamental design for an electric rotary tool, as shown and described.

DESCRIPTION

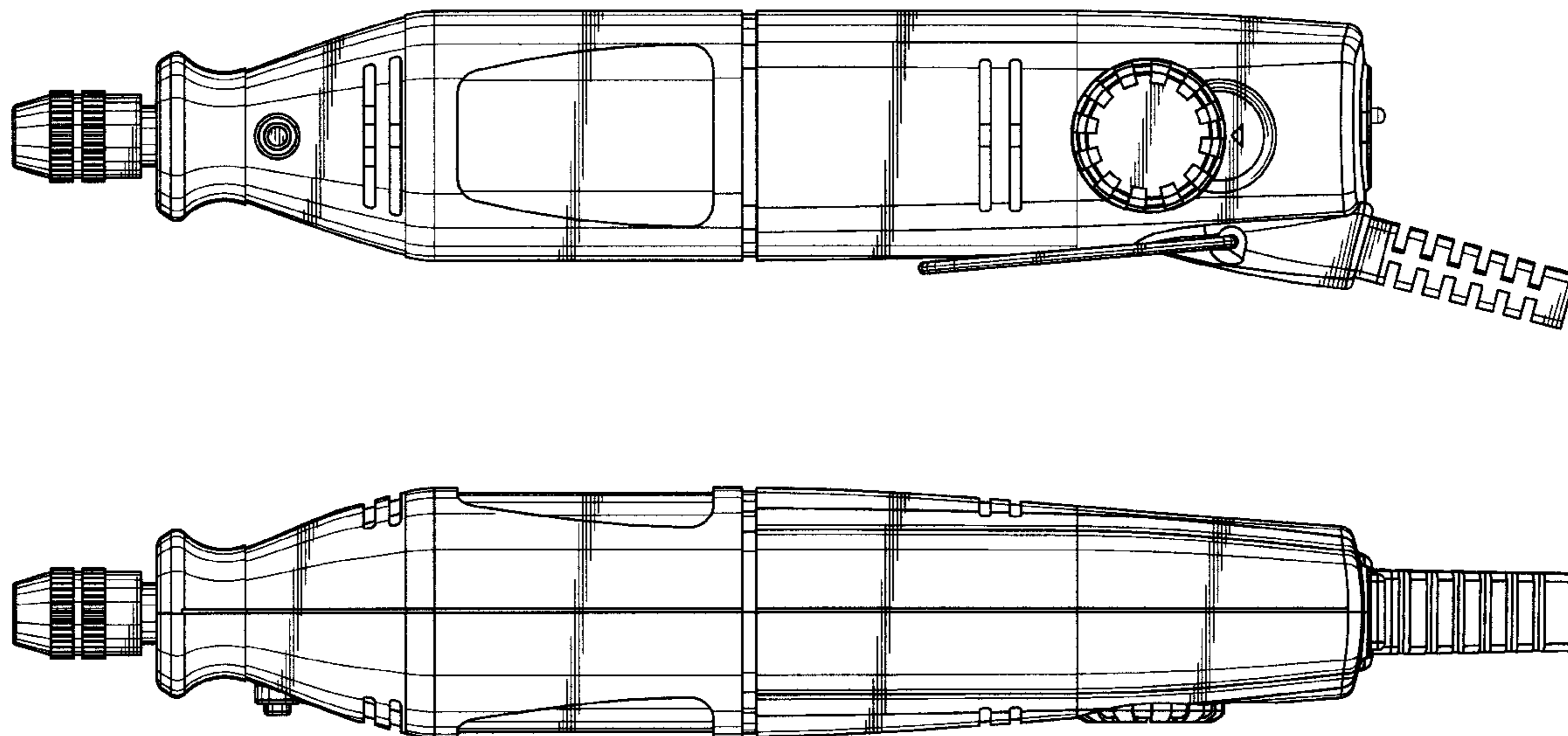
FIG. 1 is a left side elevational view of an electric rotary tool showing my new design;
FIG. 2 is a top plan view thereof;
FIG. 3 is a right side elevational view thereof;
FIG. 4 is a bottom plan view thereof;
FIG. 5 is a front end elevational view thereof; and,
FIG. 6 is a rear end elevational view thereof.

[56] References Cited

U.S. PATENT DOCUMENTS

D. 310,160 8/1990 Patel D8/61

1 Claim, 3 Drawing Sheets



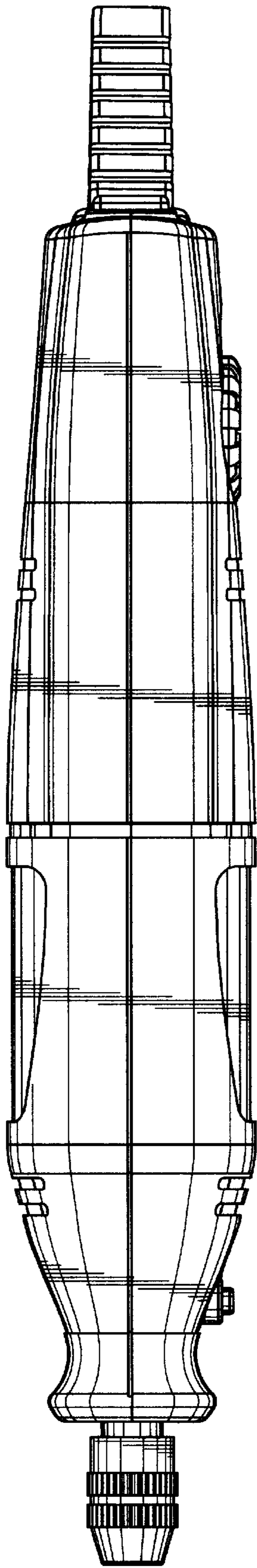


FIG. 2

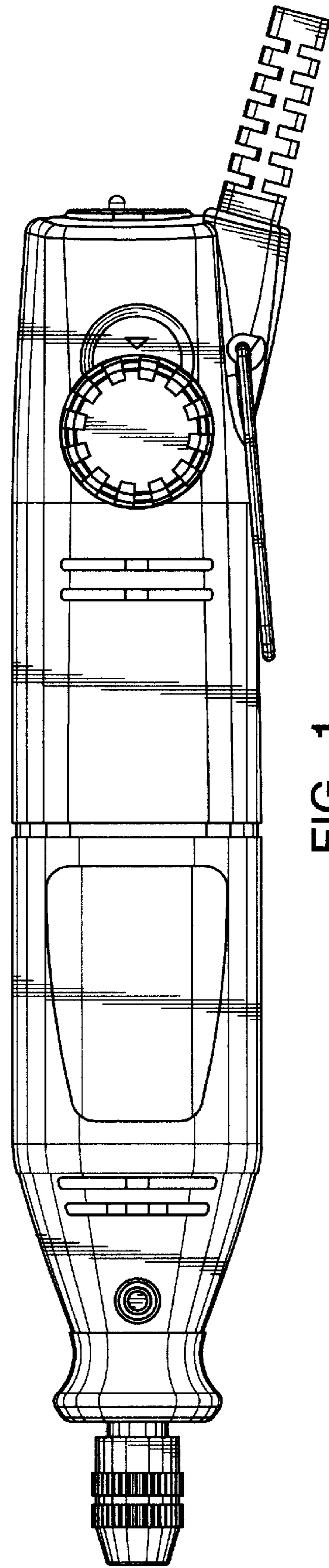


FIG. 1

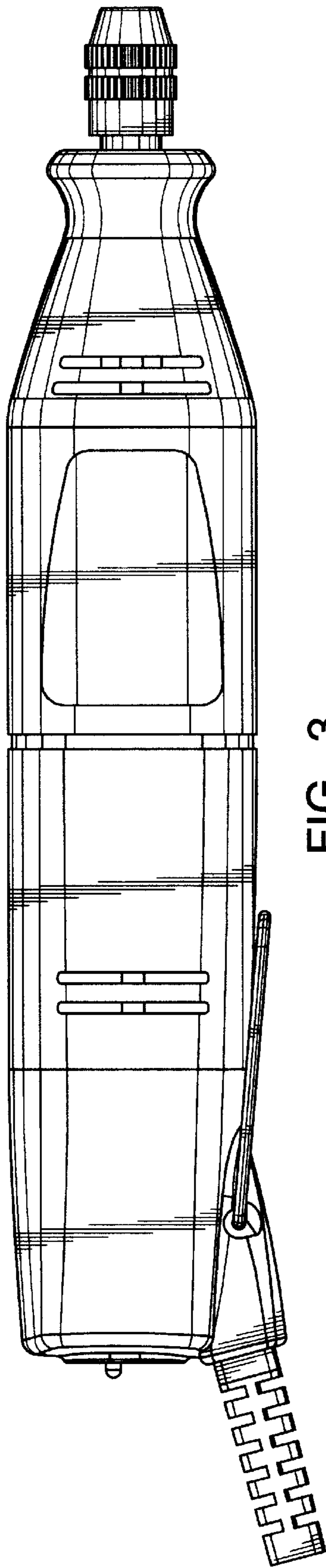


FIG. 3

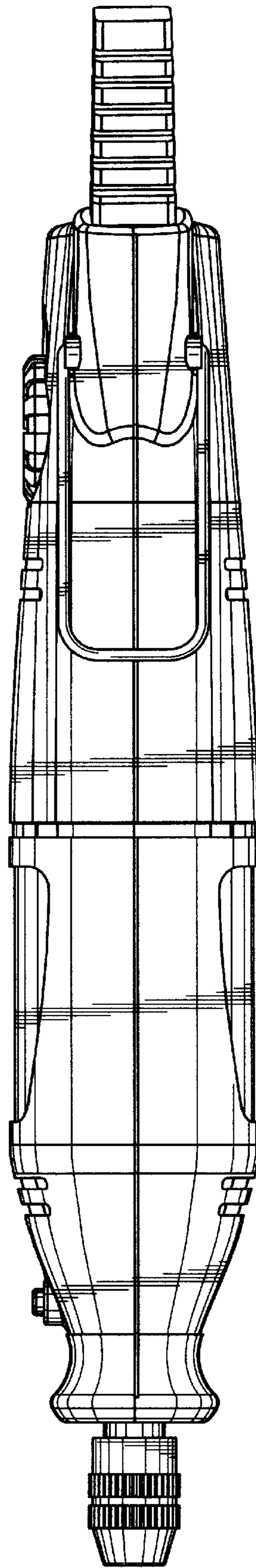


FIG. 4

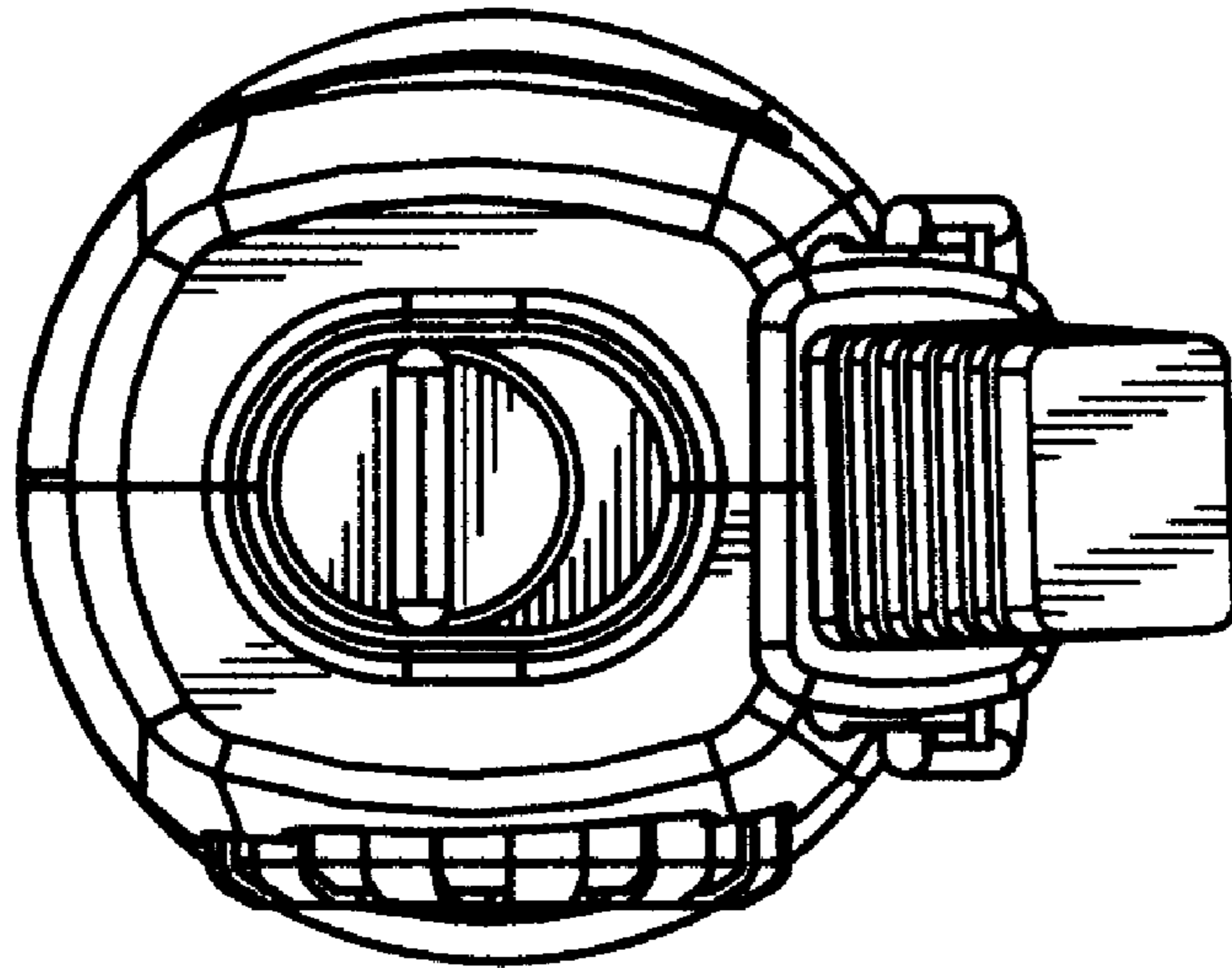


FIG. 6

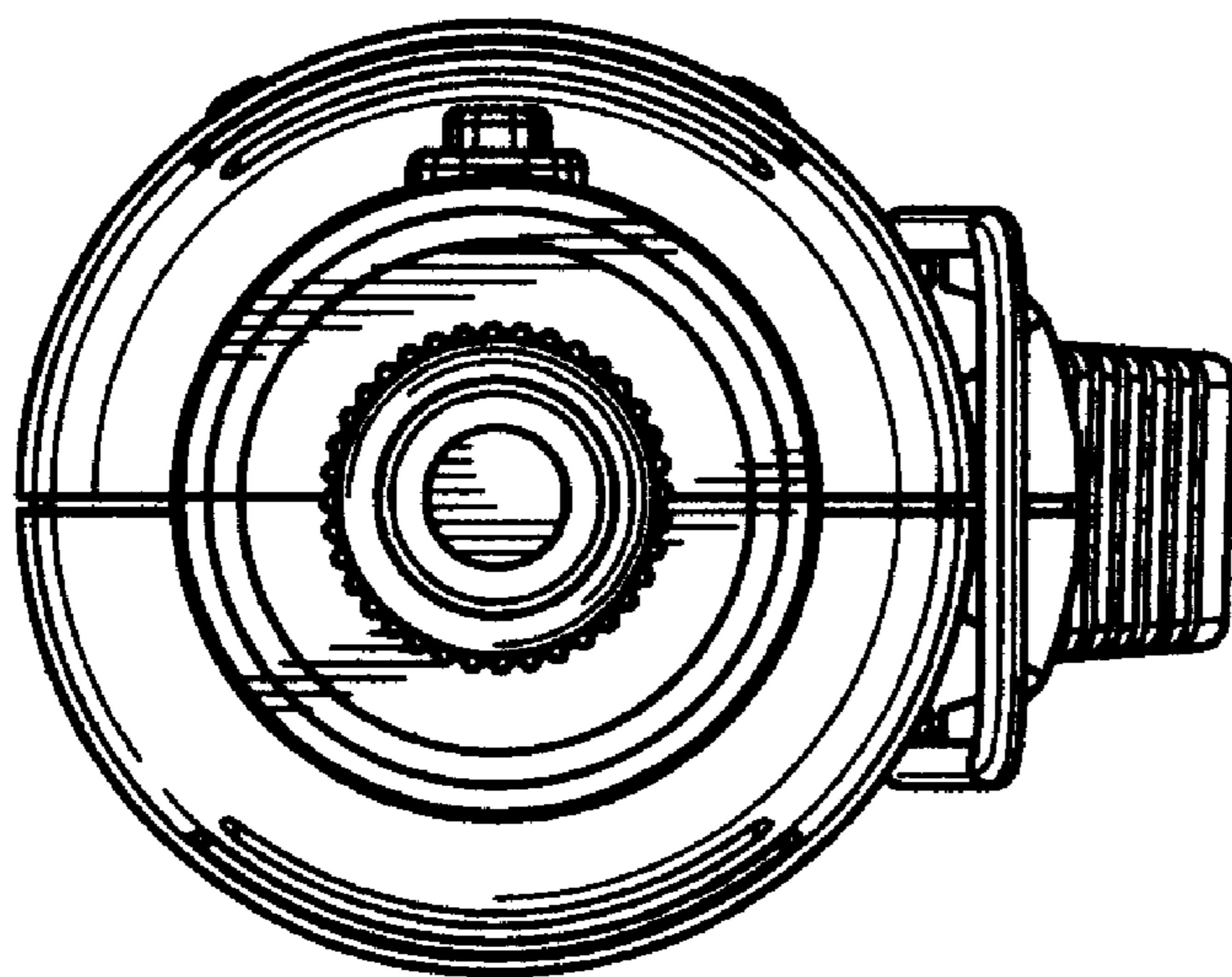


FIG. 5