



US00D427037S

# United States Patent [19] Schmithorst

[11] **Patent Number: Des. 427,037**

[45] **Date of Patent: \*\* Jun. 27, 2000**

[54] **EMBROIDERY SCISSORS**

[75] Inventor: **Howard A. Schmithorst**, Terrace Park, Ohio

[73] Assignee: **Havel's Inc.**, Cincinnati, Ohio

[\*\*] Term: **14 Years**

[21] Appl. No.: **29/093,956**

[22] Filed: **Sep. 22, 1998**

[51] **LOC (7) Cl.** ..... **08-03**

[52] **U.S. Cl.** ..... **D8/57**

[58] **Field of Search** ..... D8/57, 98, 109;  
D24/148; 606/174; 30/120, 145, 194, 201,  
229, 230, 257

[56] **References Cited**

**U.S. PATENT DOCUMENTS**

D. 137,343	2/1944	Schlesinger	.....	D8/57
D. 183,391	8/1958	Kaplan	.....	D8/57
D. 215,904	11/1969	Foerster	.....	D8/57
D. 231,186	4/1974	Laurenti	.....	D8/57
D. 281,104	10/1985	Davison	.....	D24/148
D. 331,179	11/1992	Omichi	.....	D8/57
673,043	4/1901	Burner	.....	30/120

1,681,691	8/1928	Altenbach	.....	D8/57
2,136,414	11/1938	Clements	.....	606/174
4,315,369	2/1982	Borow	.....	30/257
5,152,774	10/1992	Schroeder	.....	606/174
5,153,997	10/1992	Chiavaras et al.	.....	30/257

*Primary Examiner*—Alan P. Douglas  
*Assistant Examiner*—Reid Hecker  
*Attorney, Agent, or Firm*—Carl E. Knochermann, Jr.

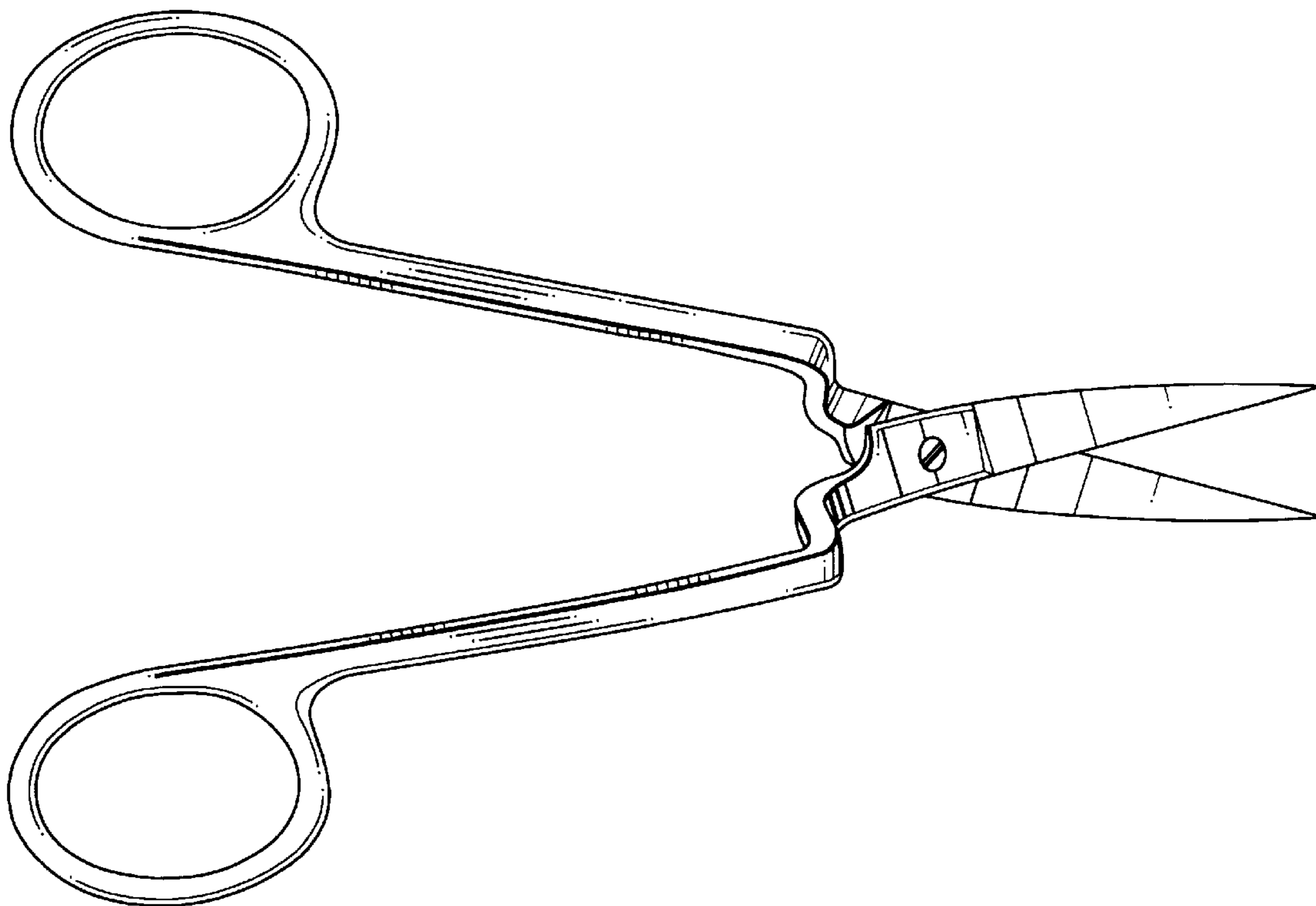
[57] **CLAIM**

The ornamental design for an embroidery scissors, as shown and described.

**DESCRIPTION**

FIG. 1 is a top plan view of embroidery scissors showing my new design in an open position;  
FIG. 2 is a top plan view thereof in closed position;  
FIG. 3 is a bottom plan view thereof in closed position;  
FIG. 4 is a right side elevation view thereof in closed position;  
FIG. 5 is a left side elevation view thereof in closed position;  
FIG. 6 is a rear end elevational view thereof in closed position; and,  
FIG. 7 is a front end elevational view thereof in closed position.

**1 Claim, 2 Drawing Sheets**



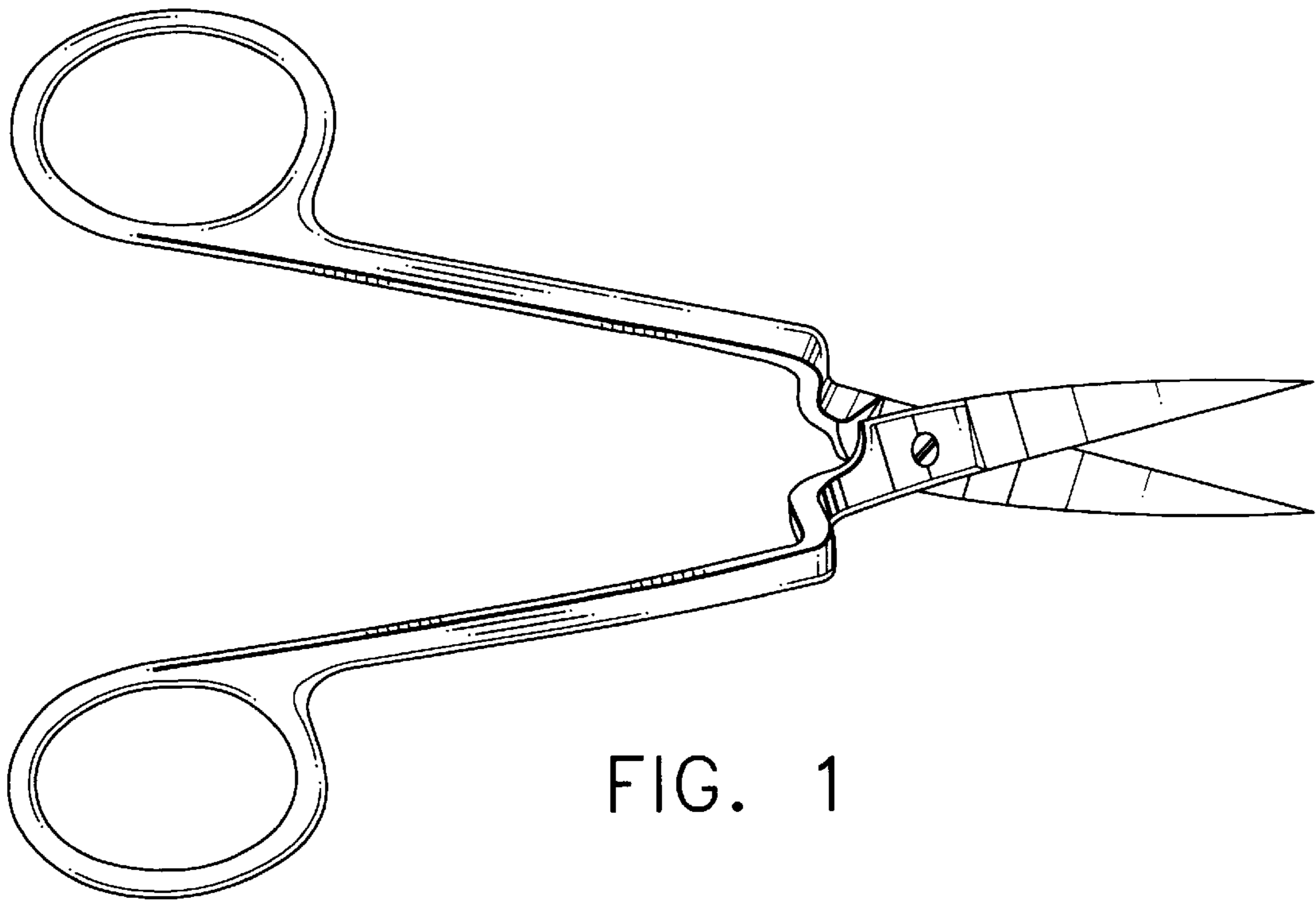


FIG. 1

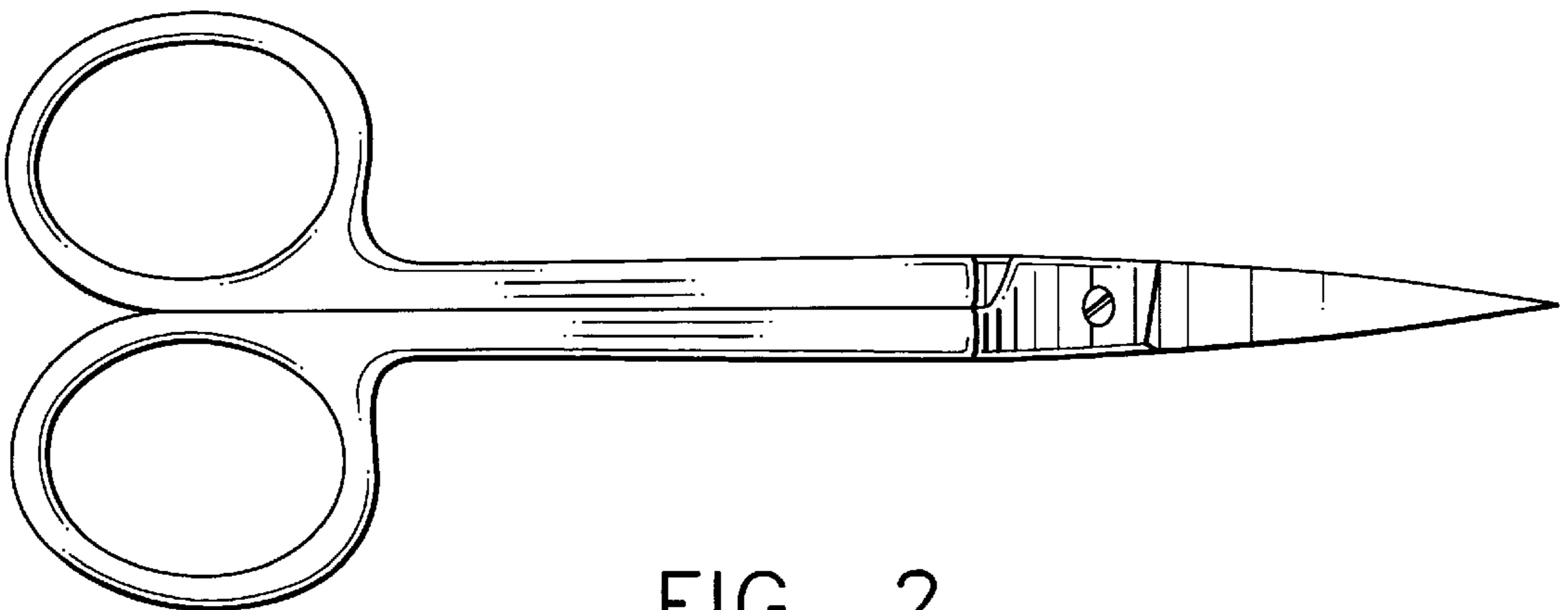


FIG. 2

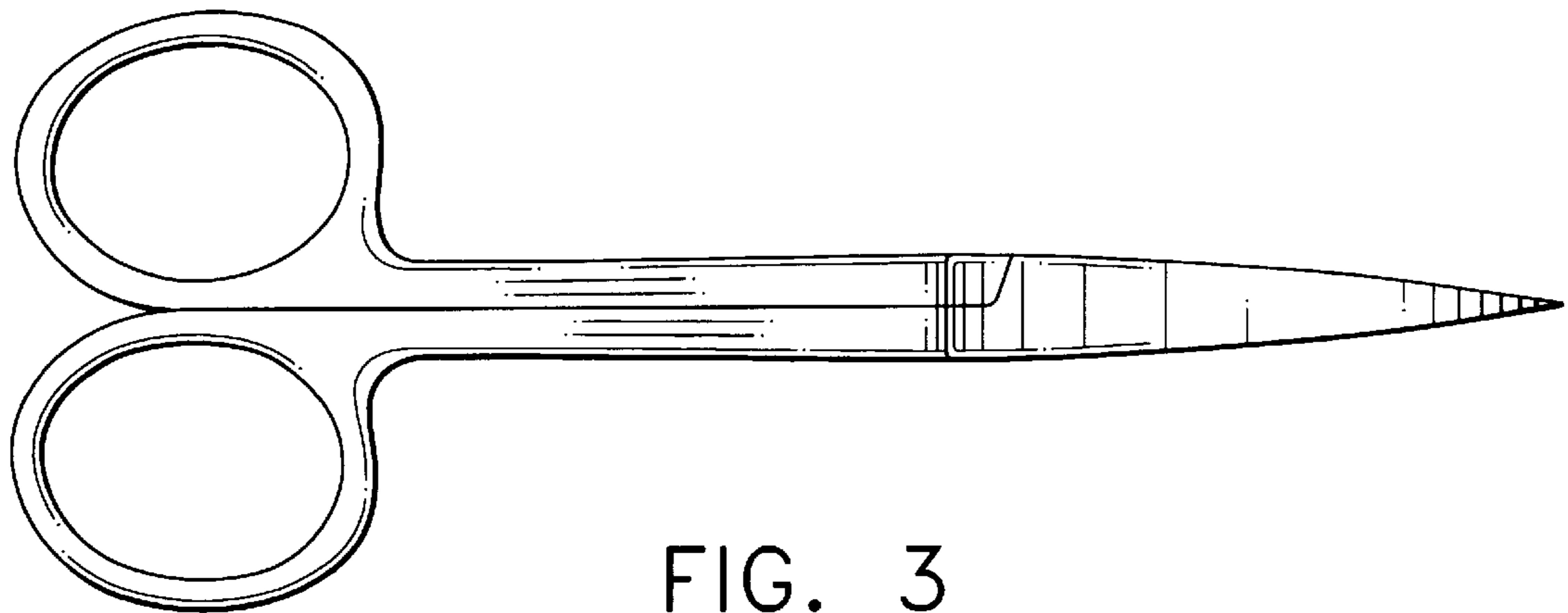


FIG. 3

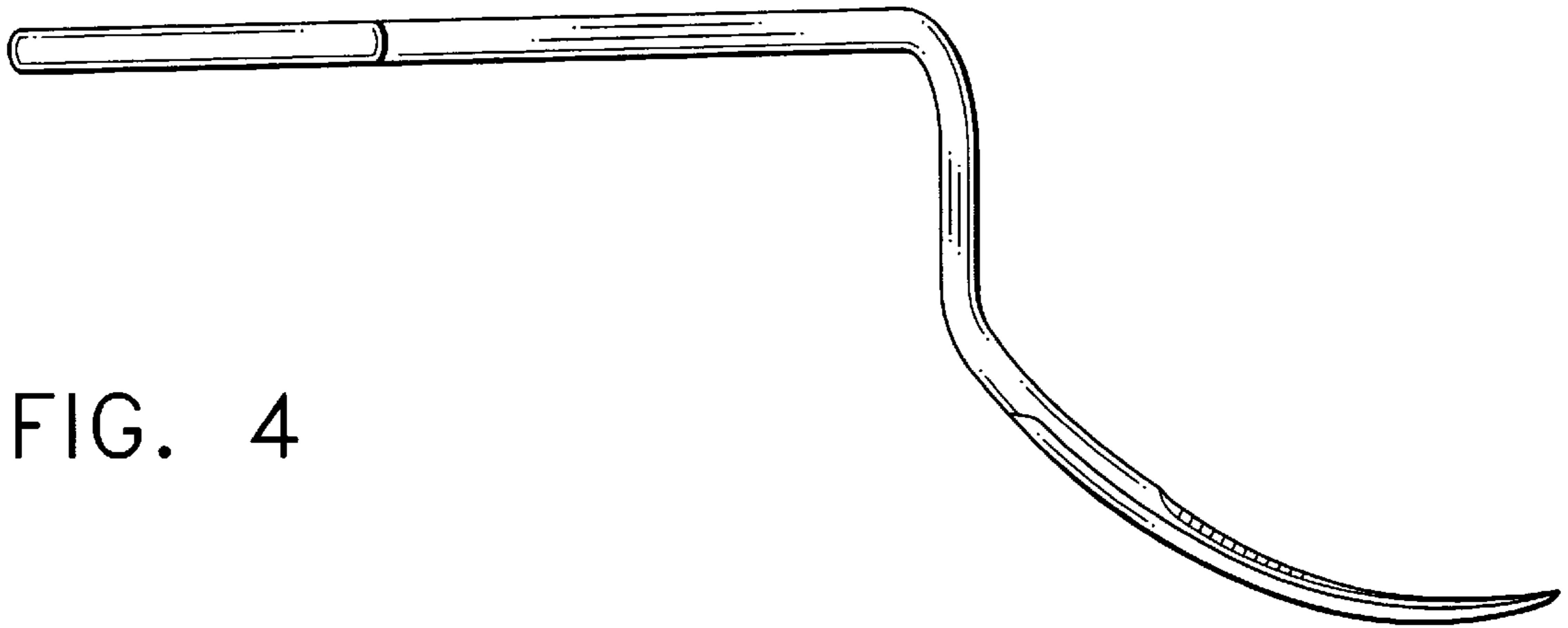


FIG. 4

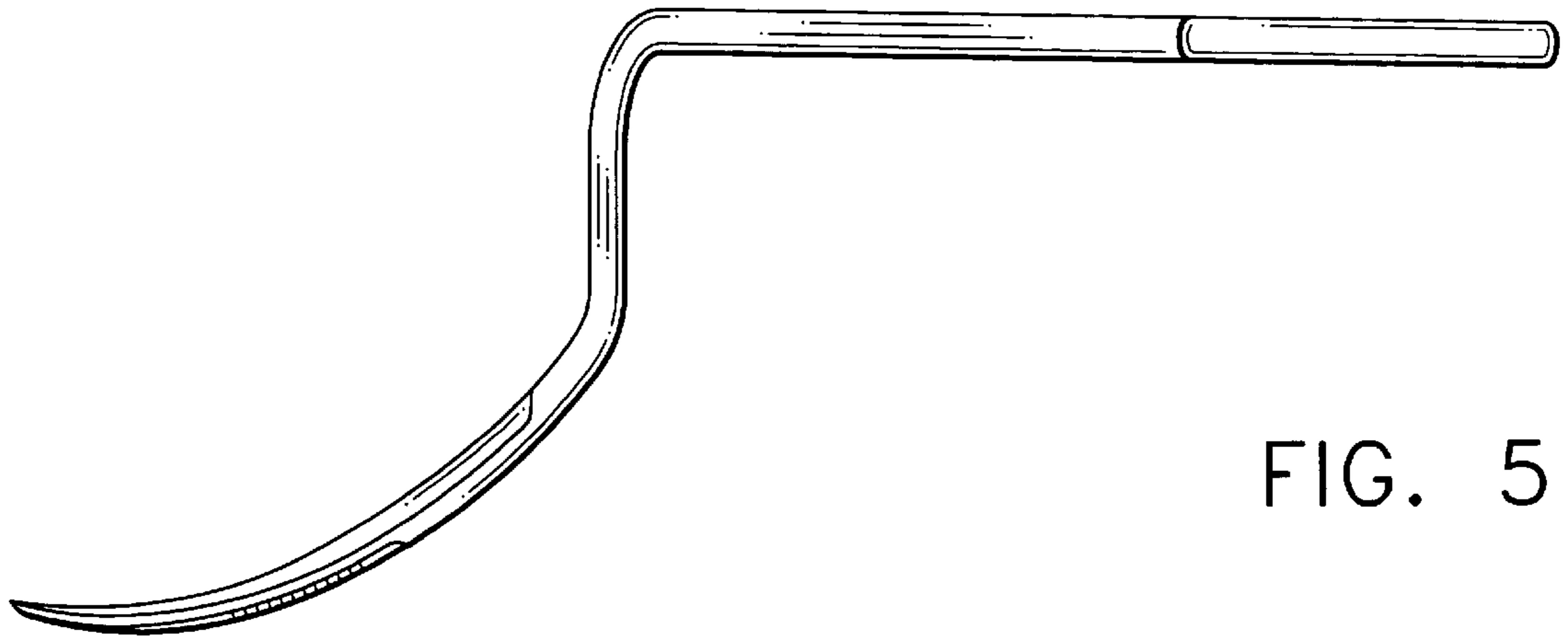


FIG. 5

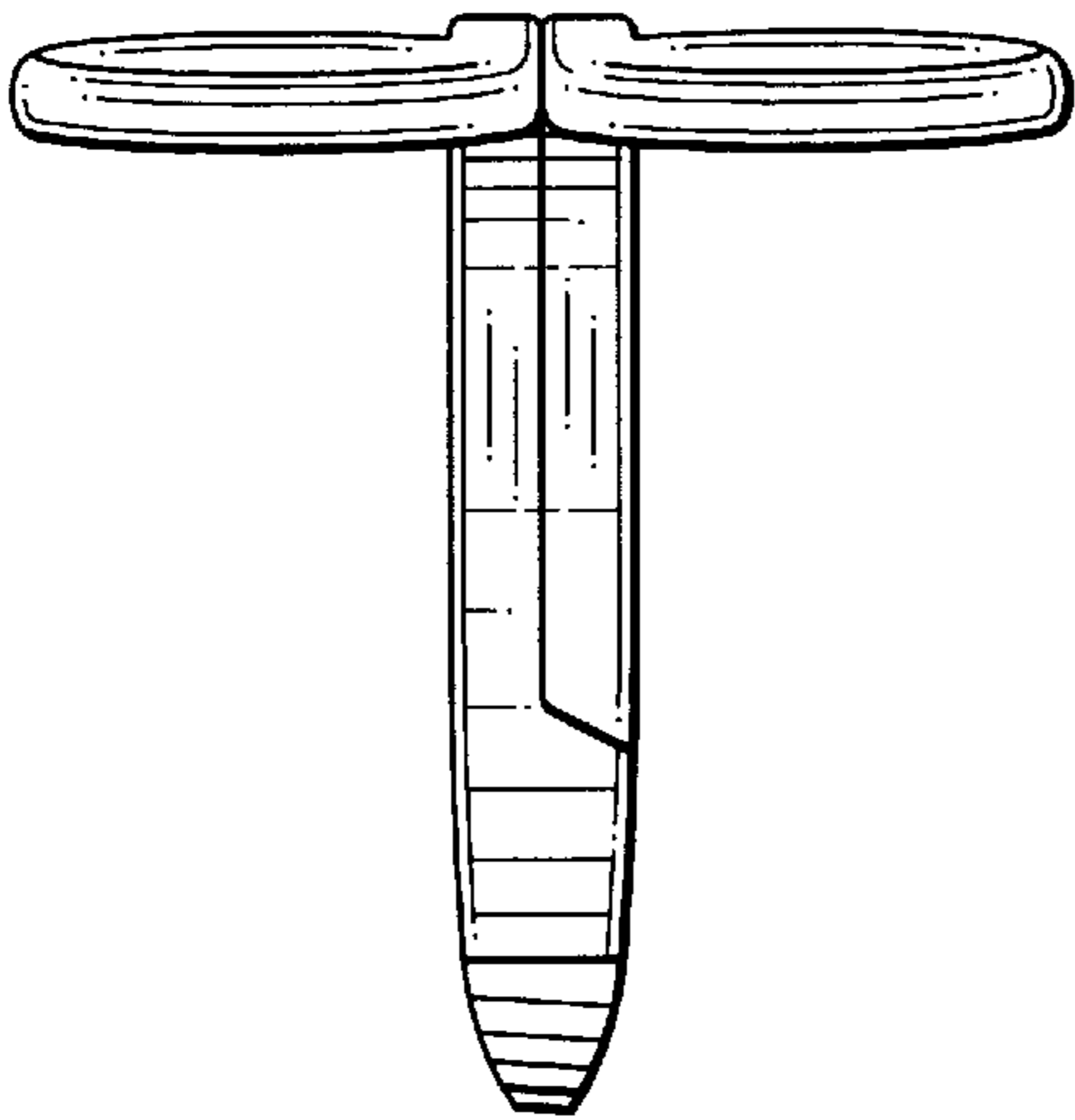


FIG. 6

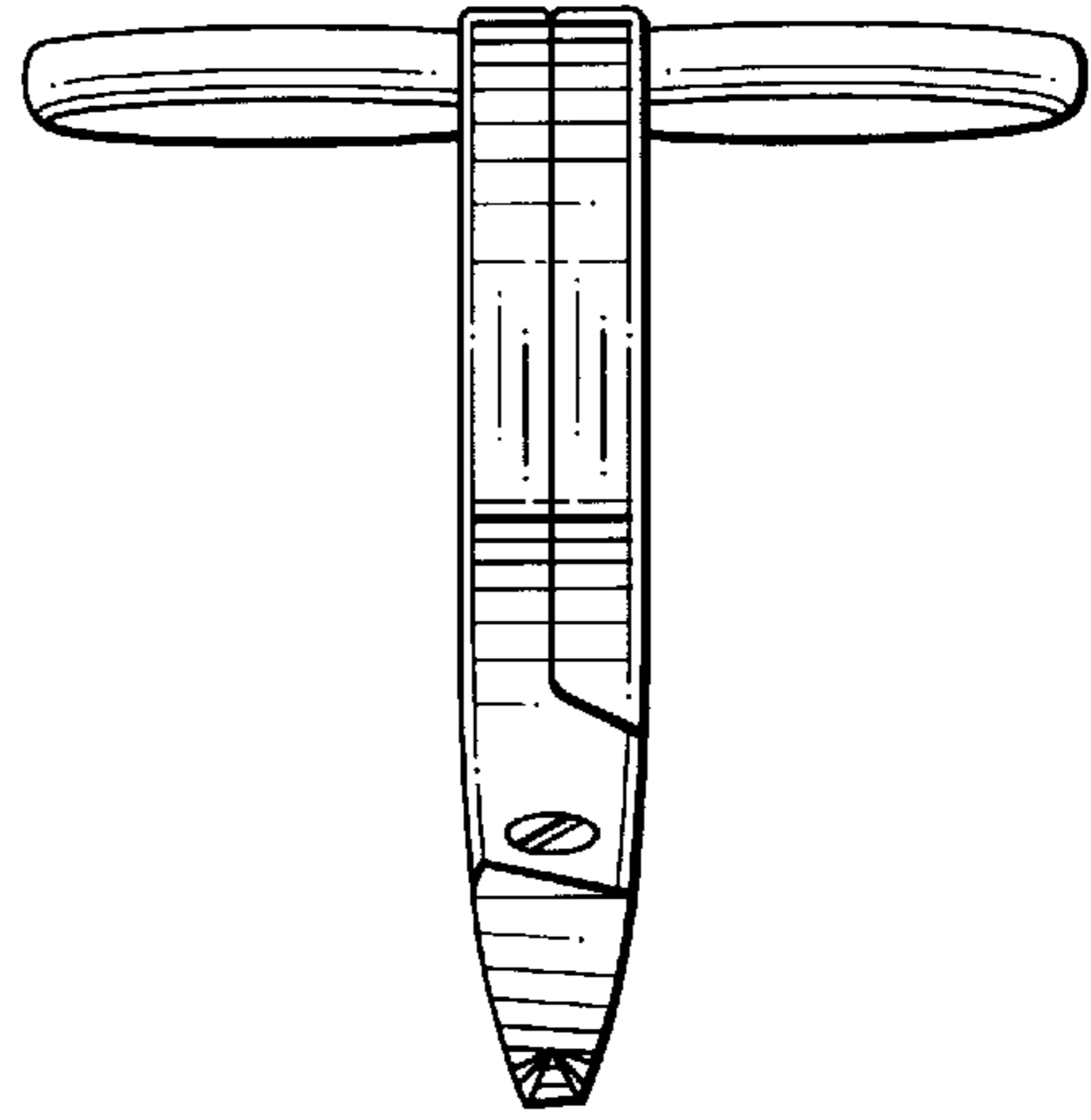


FIG. 7