



US00D427032S

United States Patent [19]
Holdcroft

[11] **Patent Number: Des. 427,032**

[45] **Date of Patent: ** Jun. 27, 2000**

[54] **COMBINATION RAKE AND HOE**

[76] Inventor: **James A. Holdcroft**, 2511 Spruce Dr.,
Bossier City, La. 71111

[**] Term: **14 Years**

[21] Appl. No.: **29/112,483**

[22] Filed: **Oct. 19, 1999**

[51] **LOC (7) Cl.** **08-01**

[52] **U.S. Cl.** **D8/11; D8/13**

[58] **Field of Search** **D8/1, 10, 11, 13;**
294/49, 51; 172/371, 375

[56] **References Cited**

U.S. PATENT DOCUMENTS

D. 251,582	4/1979	Ziegler et al.	D8/9
D. 359,891	7/1995	Hiller	D8/9
D. 370,603	6/1996	Lampman	D8/11
D. 374,382	10/1996	Smith	D8/13
1,578,532	3/1926	Lagorio	294/49
1,749,103	3/1930	Kortick	294/49

OTHER PUBLICATIONS

True Temper brochure; item D26 Hand Rake, Oct. 1965.

Primary Examiner—Robin V. Taylor
Attorney, Agent, or Firm—John M. Harrison

[57] **CLAIM**

The ornamental design for a “combination rake and hoe,” as shown and described.

DESCRIPTION

FIG. 1 is a front perspective view of the combination rake and hoe, showing my new design;

FIG. 2 is a rear perspective view of the combination rake and hoe;

FIG. 3 is a rear elevational view thereof;

FIG. 4 is a front elevational view thereof; and

FIG. 5 is a bottom elevational view thereof;

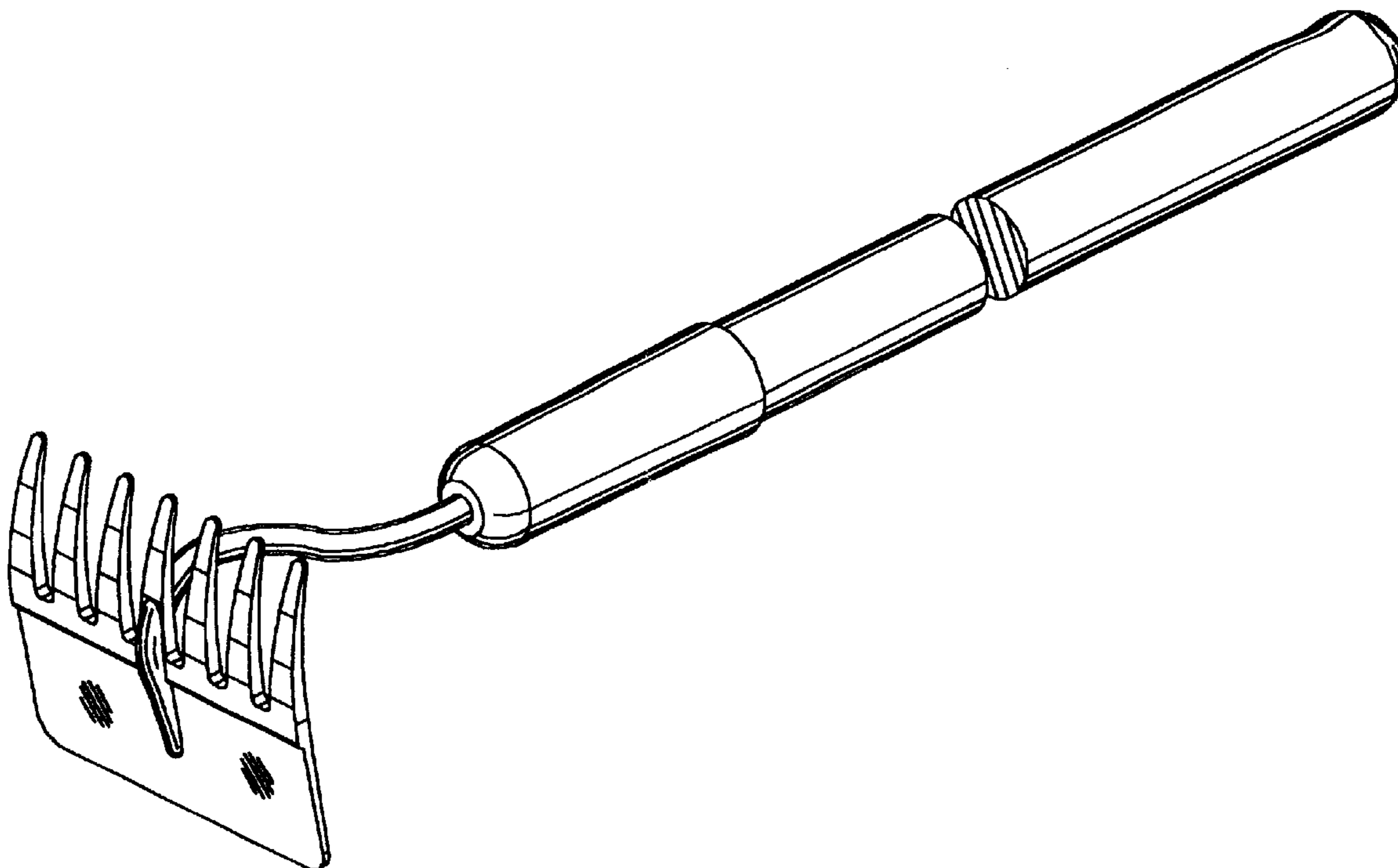
FIG. 6 is a top elevational view thereof;

FIG. 7 is a right side elevational view thereof; and,

FIG. 8 is a left side elevational view of the combination rake & hoe illustrated in FIGS. 1–7.

The handle is shown fragmented in FIGS. 1,2,5–8 to indicate indeterminate length.

1 Claim, 2 Drawing Sheets



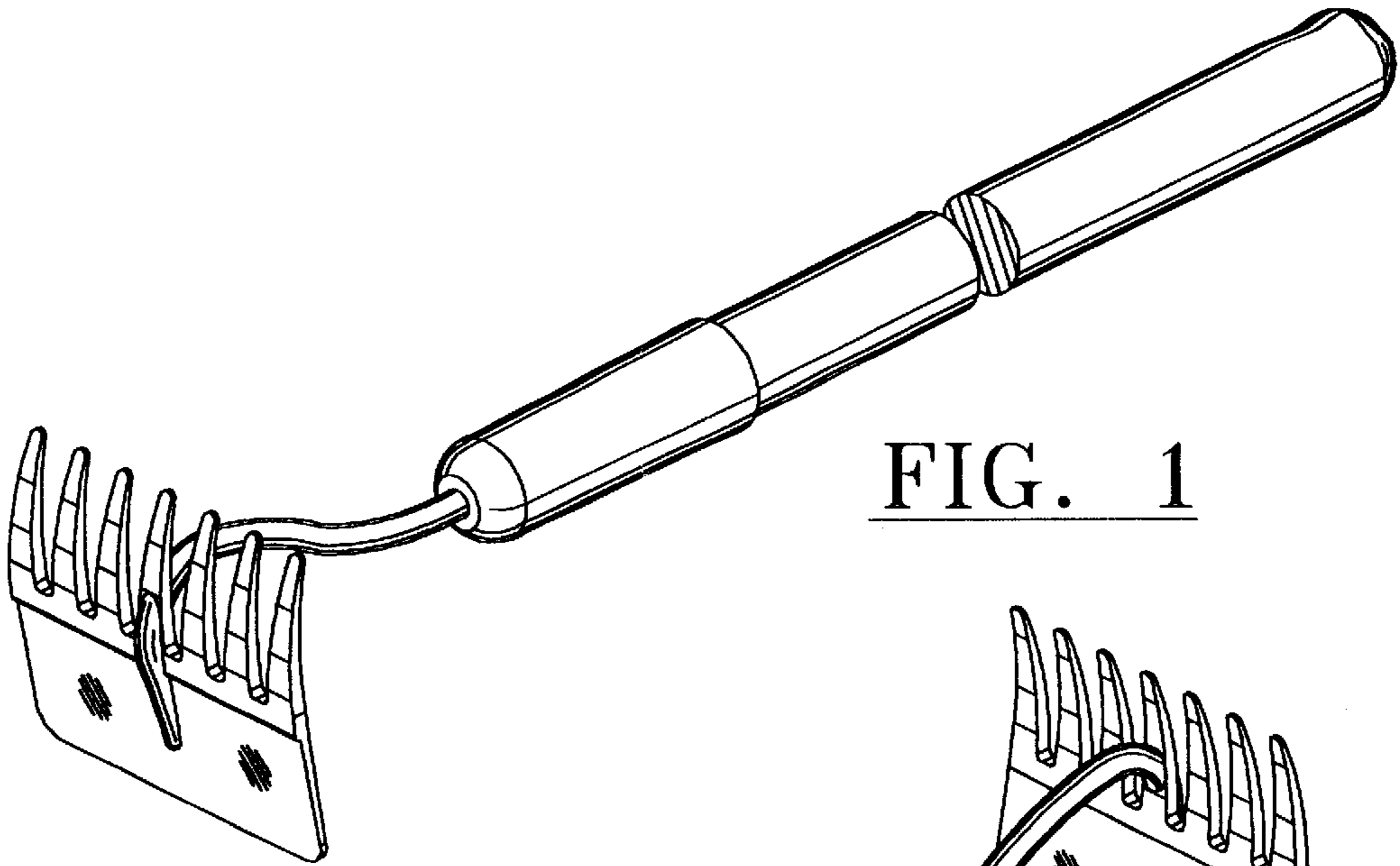


FIG. 1

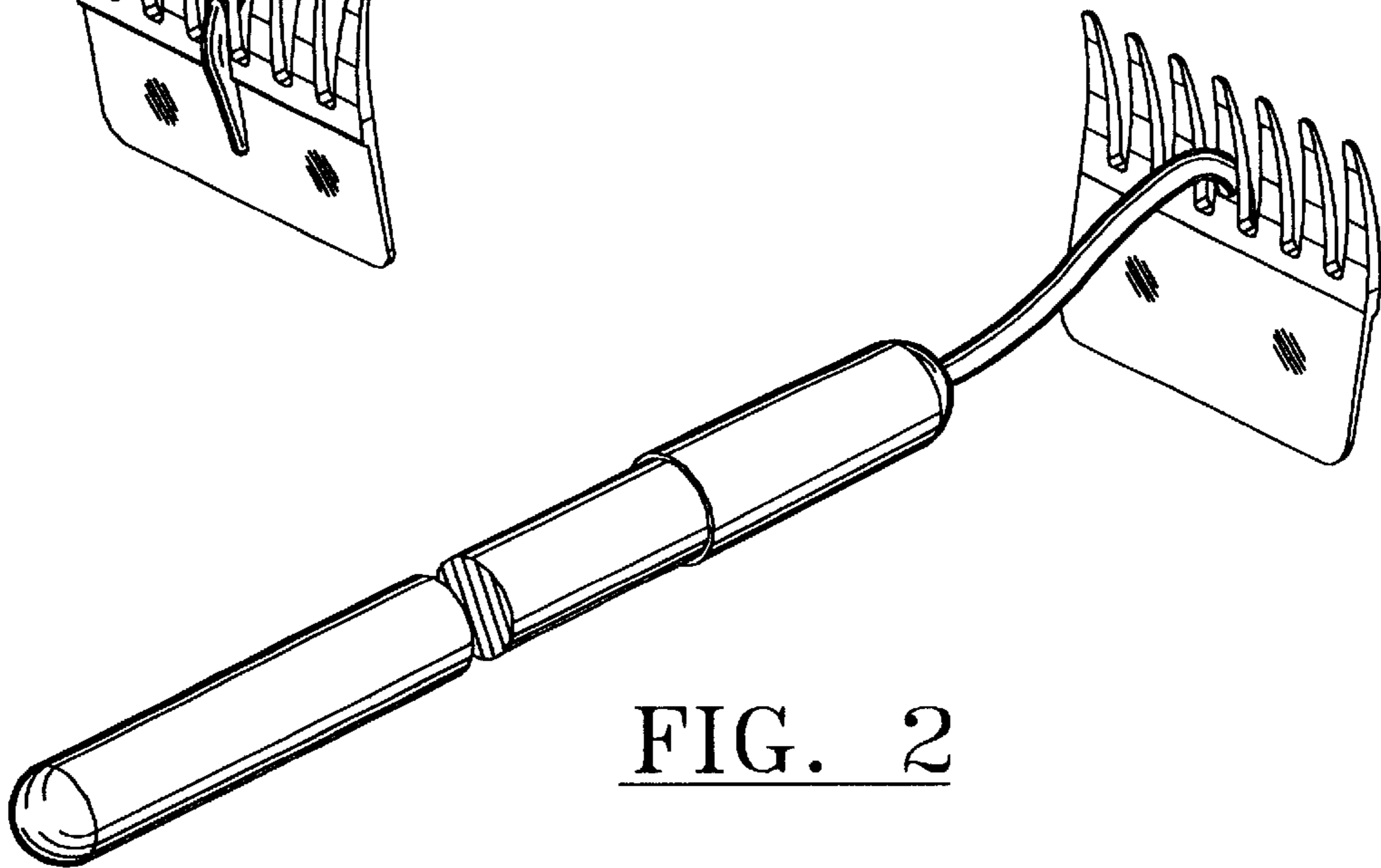


FIG. 2

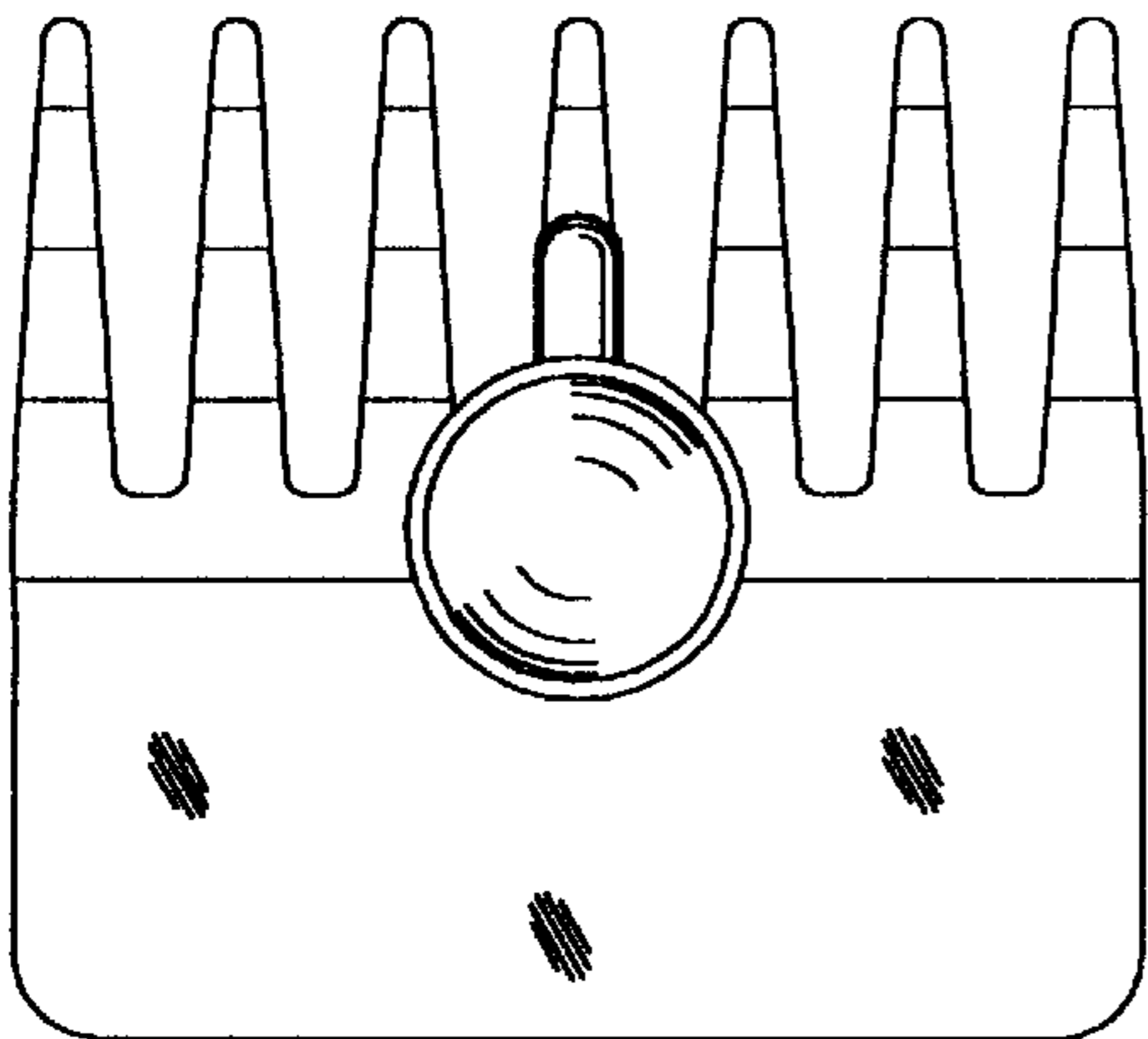


FIG. 3

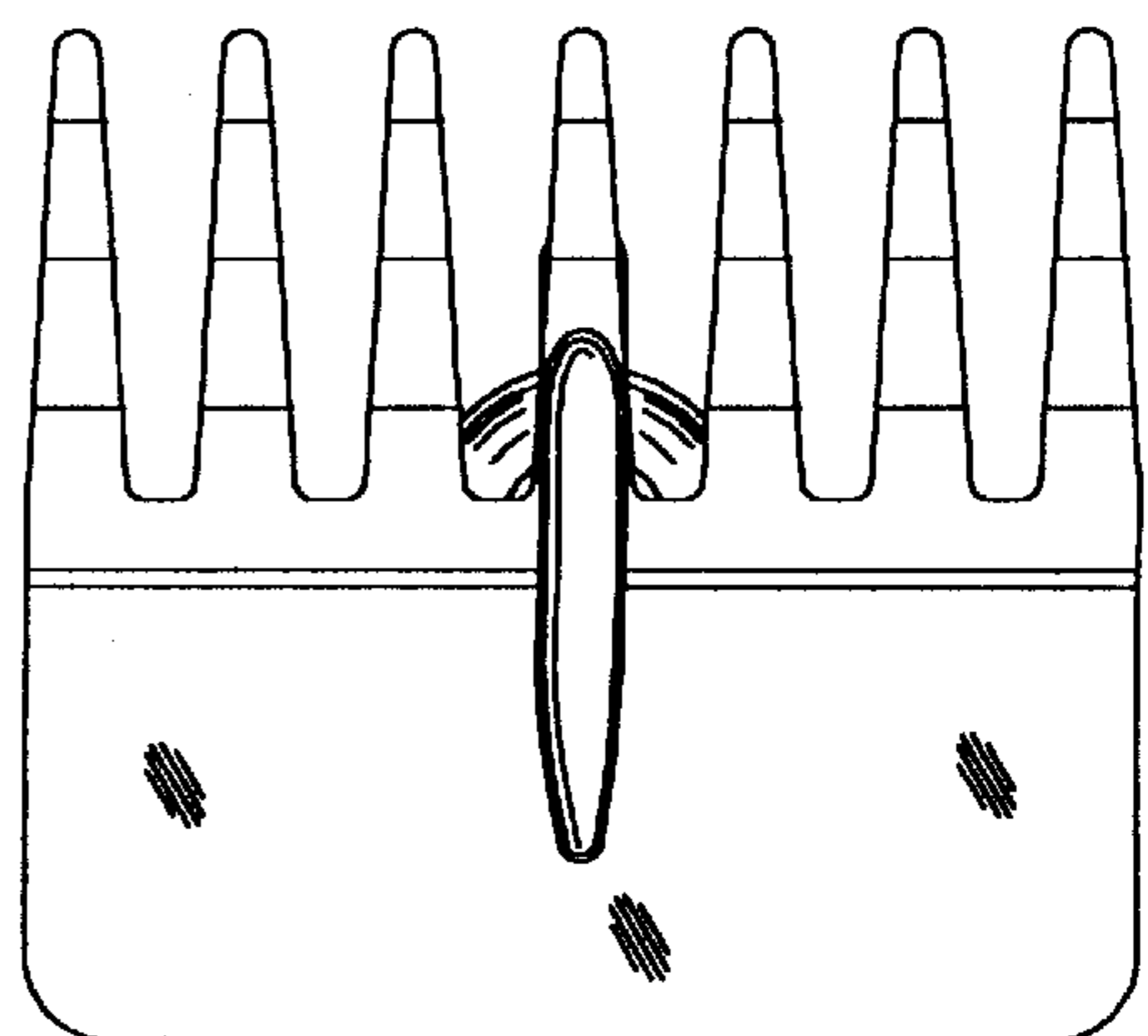


FIG. 4

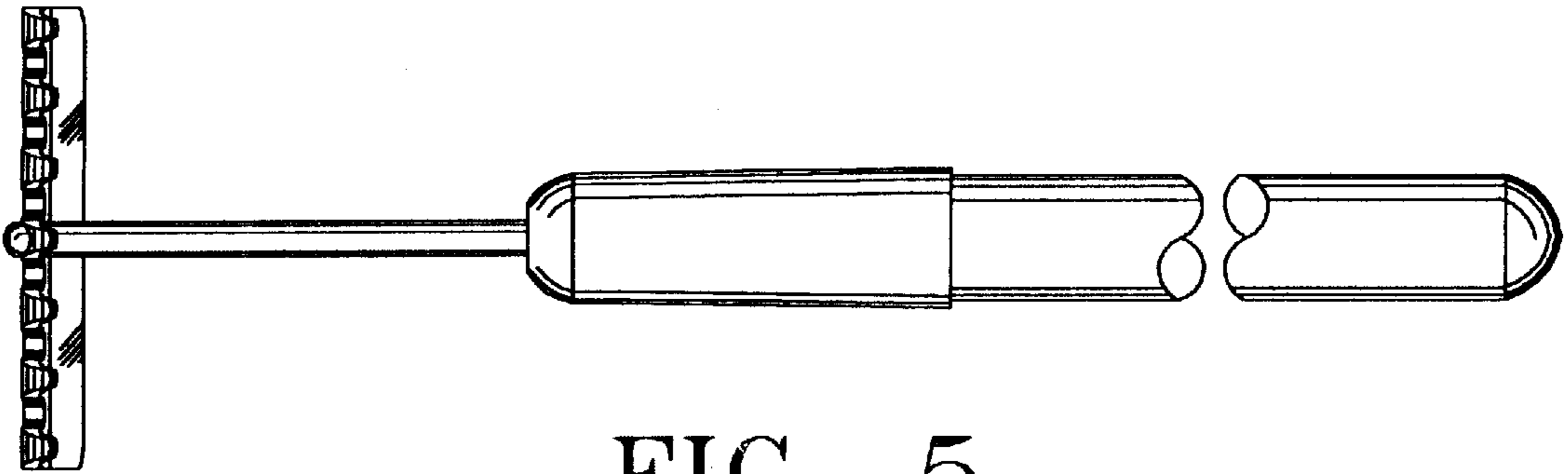


FIG. 5

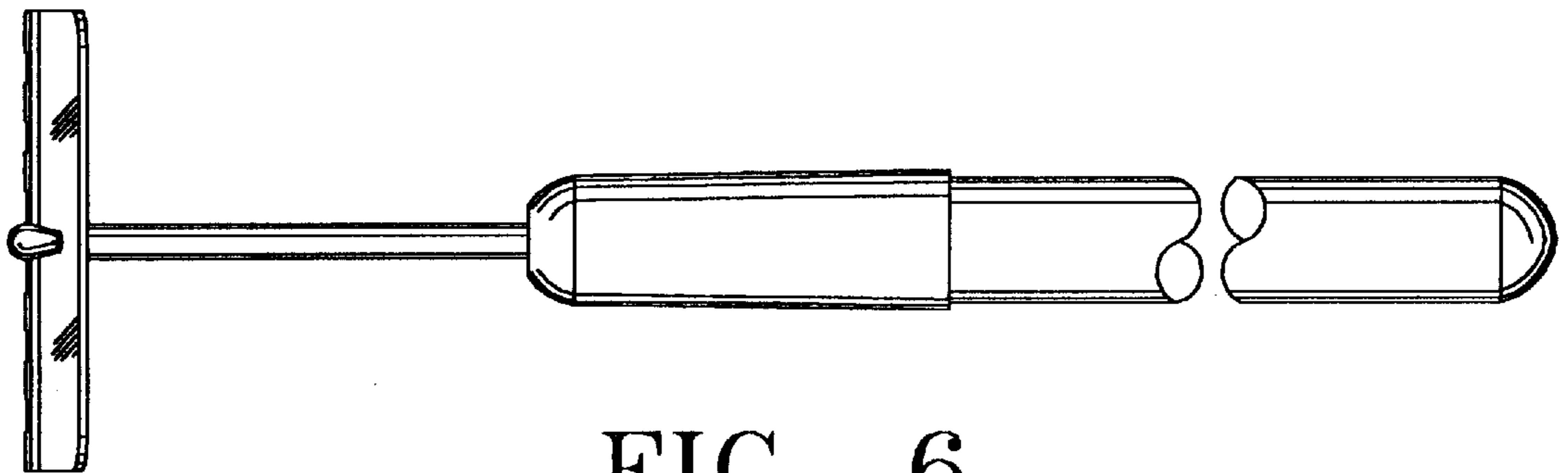


FIG. 6

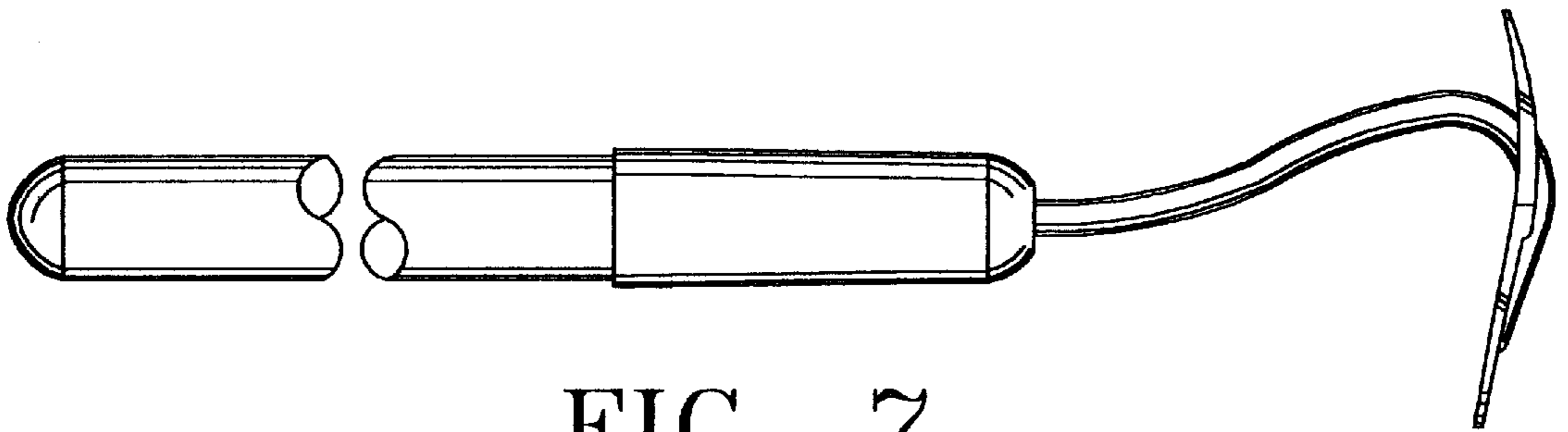


FIG. 7

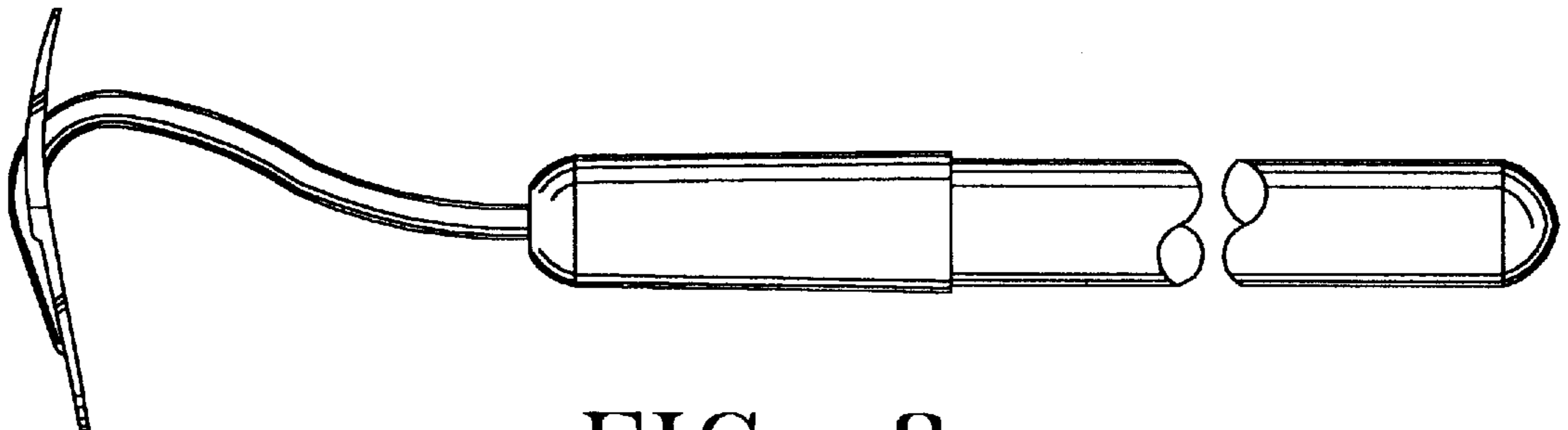


FIG. 8