



US00D427029S

**United States Patent** [19]  
**Pottmeyer**

[11] **Patent Number: Des. 427,029**

[45] **Date of Patent: \*\* Jun. 27, 2000**

[54] **ROOT FEEDER**

5,618,000 4/1997 Lantzy et al. .... 239/276

[76] Inventor: **Gerald Pottmeyer**, 319 Greene St.,  
Marietta, Ohio 45750

*Primary Examiner*—Robin V. Taylor  
*Attorney, Agent, or Firm*—Eric Karich

[\*\*] Term: **14 Years**

[57] **CLAIM**

[21] Appl. No.: **29/108,609**

The ornamental design for a root feeder, as shown and described.

[22] Filed: **Jul. 30, 1999**

**DESCRIPTION**

[51] **LOC (7) Cl.** ..... **08-01**

FIG. 1 is a perspective view of a root feeder, showing my new design;

[52] **U.S. Cl.** ..... **D8/1**

FIG. 2 is a top plan view thereof;

[58] **Field of Search** ..... D8/1, 2; 111/7.1,  
111/7.4; 47/48.5; 239/276

FIG. 3 is a front elevational view thereof with the broken line showing of a fertilizer mixing bowl for illustrative purposes only and forming no part of the claimed design;

[56] **References Cited**

**U.S. PATENT DOCUMENTS**

D. 236,939	9/1975	Piel	.....	D8/1
D. 389,705	1/1998	Puett	.....	D8/1
D. 390,429	2/1998	Spero	.....	D8/1
2,333,727	11/1943	Lucas	.....	111/7.1
2,893,334	7/1959	Snyder	.....	111/7.1

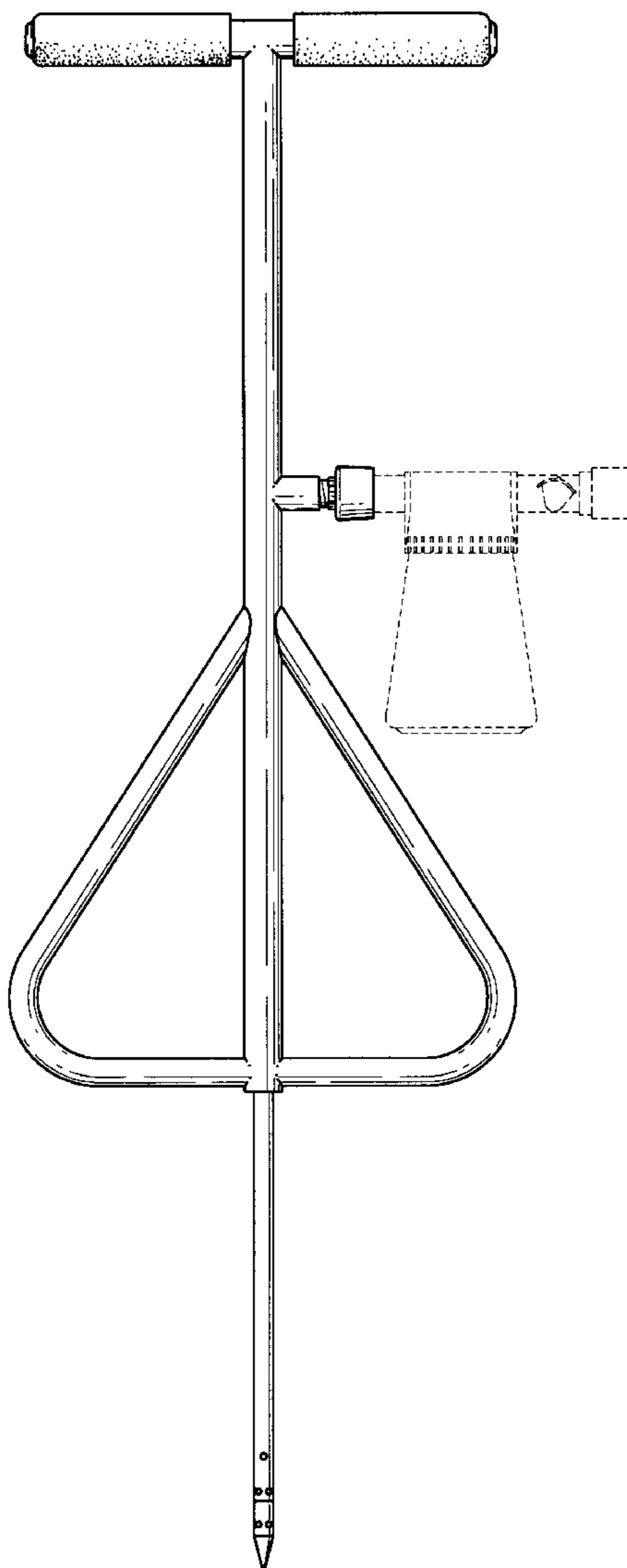
FIG. 4 is a right side elevation view thereof;

FIG. 5 is a rear elevational view thereof;

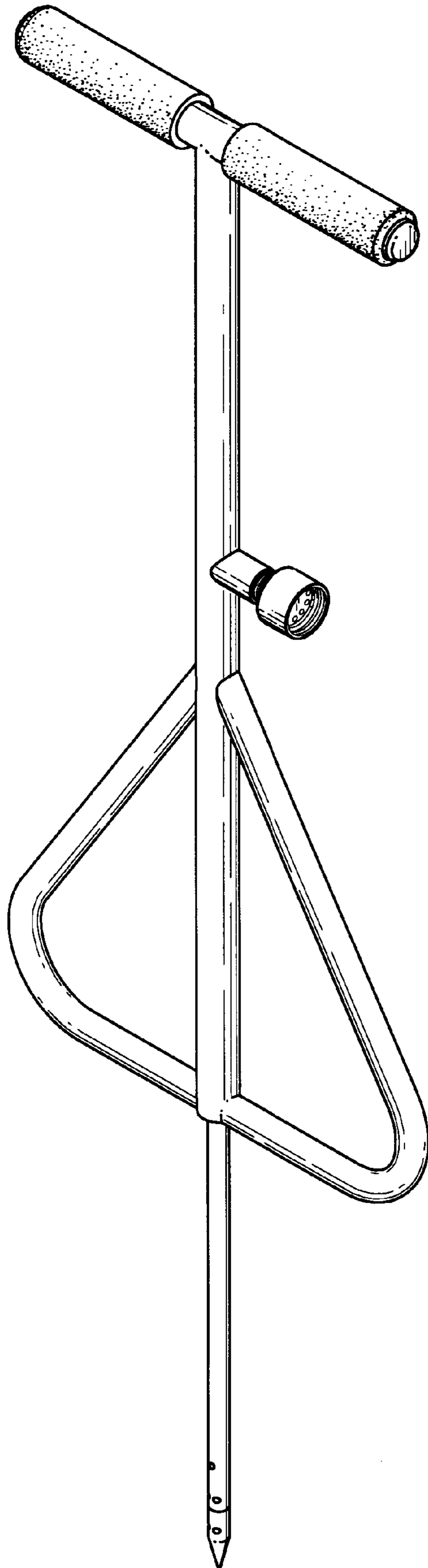
FIG. 6 is a left side elevation view thereof; and,

FIG. 7 is a bottom plan view thereof.

**1 Claim, 3 Drawing Sheets**



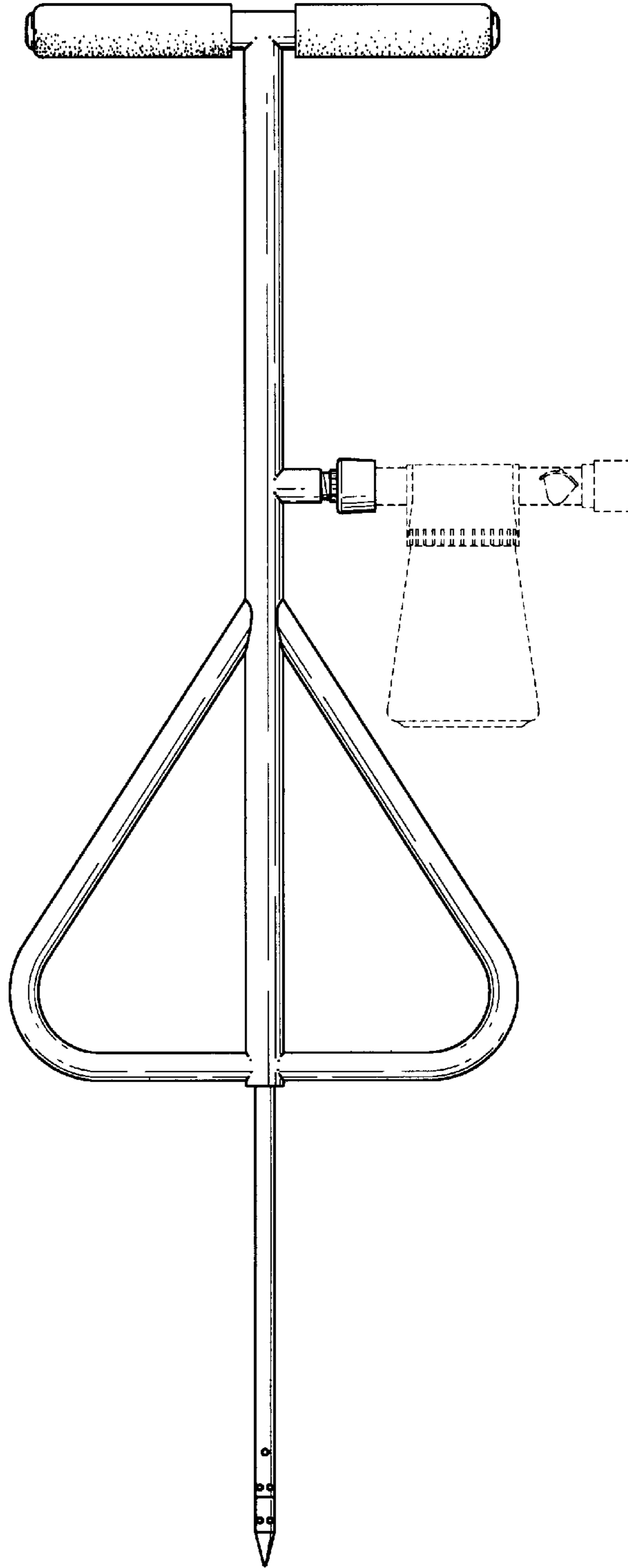
*Fig. 1*



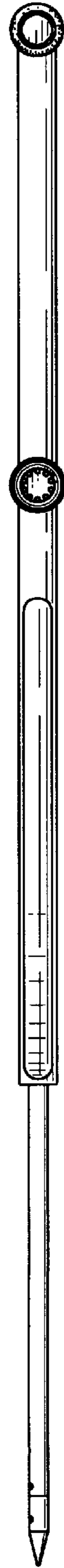
*Fig. 2*



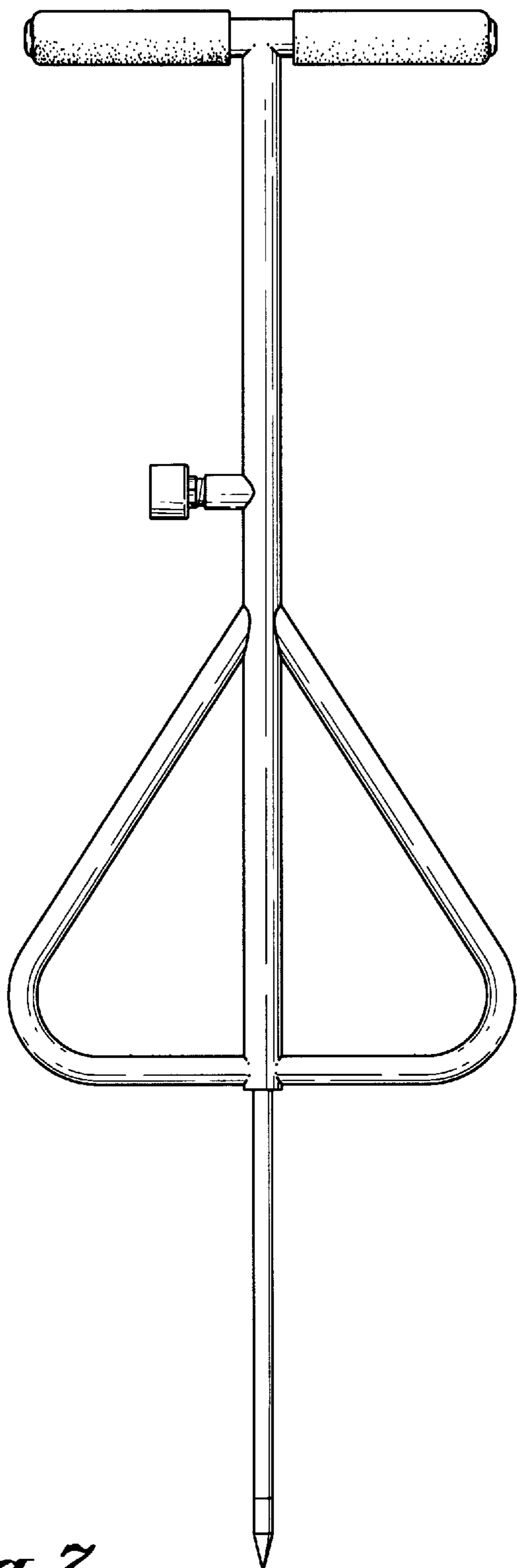
*Fig. 3*



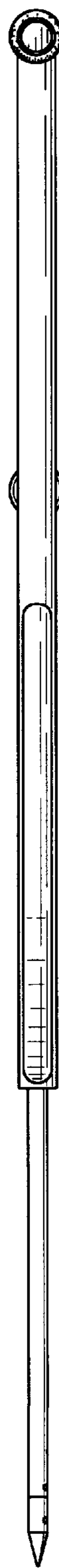
*Fig. 4*



*Fig. 5*



*Fig. 6*



*Fig. 7*

