



US00D427021S

United States Patent [19] Moran

[11] **Patent Number: Des. 427,021**

[45] **Date of Patent: ** Jun. 27, 2000**

[54] **LIQUID DECANTER WITH HANDLE AND SPOUT**

D. 336,208 6/1993 Gibert D7/608 X
D. 395,794 7/1998 Moran D7/608

[75] Inventor: **Jorge E. Moran**, Nashville, Tenn.

Primary Examiner—Terry A. Wallace
Attorney, Agent, or Firm—Hunton & Williams

[73] Assignee: **Megatrade International, Inc.**,
Nashville, Tenn.

[**] Term: **14 Years**

[57] **CLAIM**

The ornamental design for a liquid decanter with handle and spout, as shown and described.

[21] Appl. No.: **29/109,490**

[22] Filed: **Aug. 5, 1999**

DESCRIPTION

[51] **LOC (7) Cl.** **07-01**

FIG. 1 is a front elevation view of the liquid decanter with handle and spout showing my new design;

[52] **U.S. Cl.** **D7/608**

FIG. 2 is a side elevation view thereof;

[58] **Field of Search** D7/605, 608, 316-319;
62/457.1, 457.7; 215/12.1, 12.2, 13.1; 220/592.16,
292.27

FIG. 3 is a rear elevation view thereof;

FIG. 4 is a top plan view thereof; and,

FIG. 5 is a bottom plan view thereof.

[56] **References Cited**

U.S. PATENT DOCUMENTS

D. 274,685 7/1984 Ohmoto D7/608 X

1 Claim, 4 Drawing Sheets

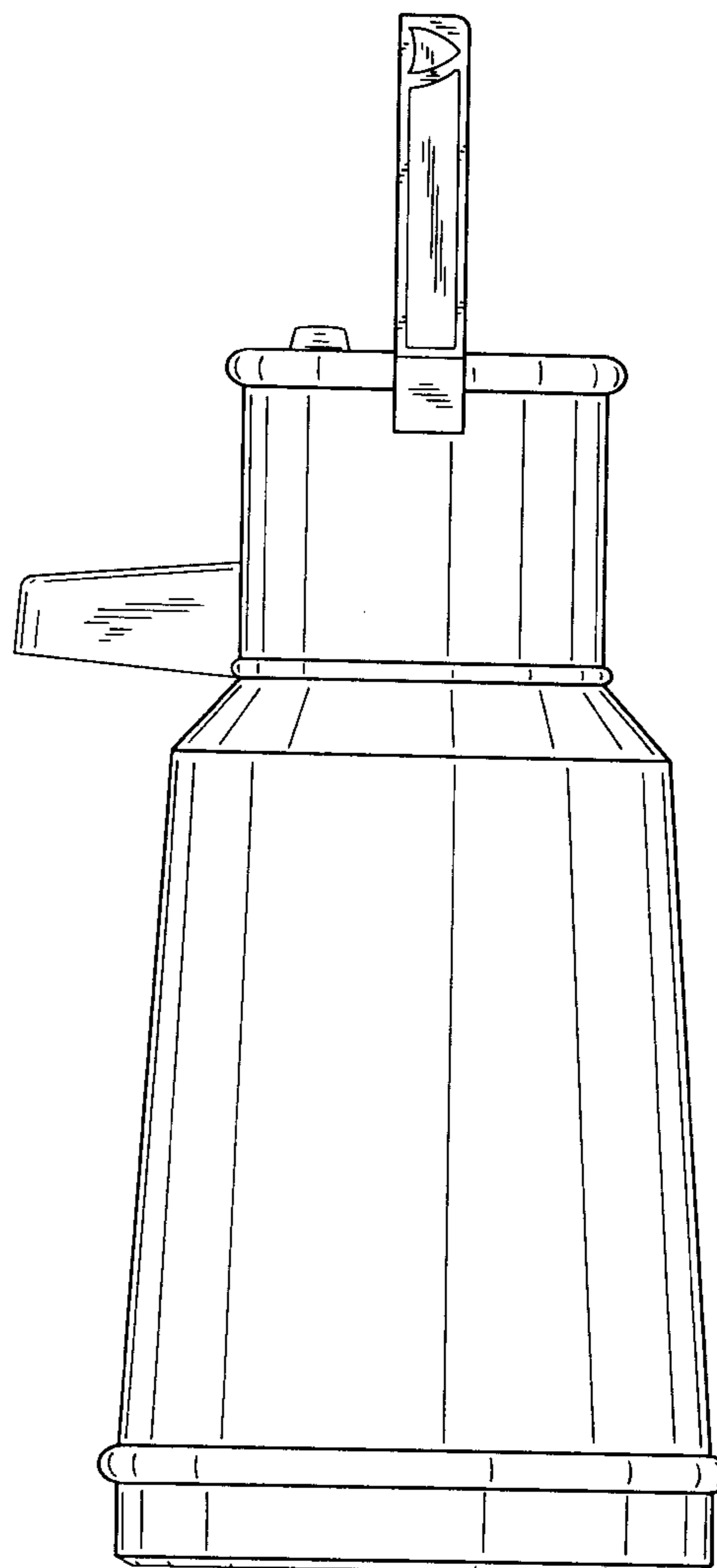
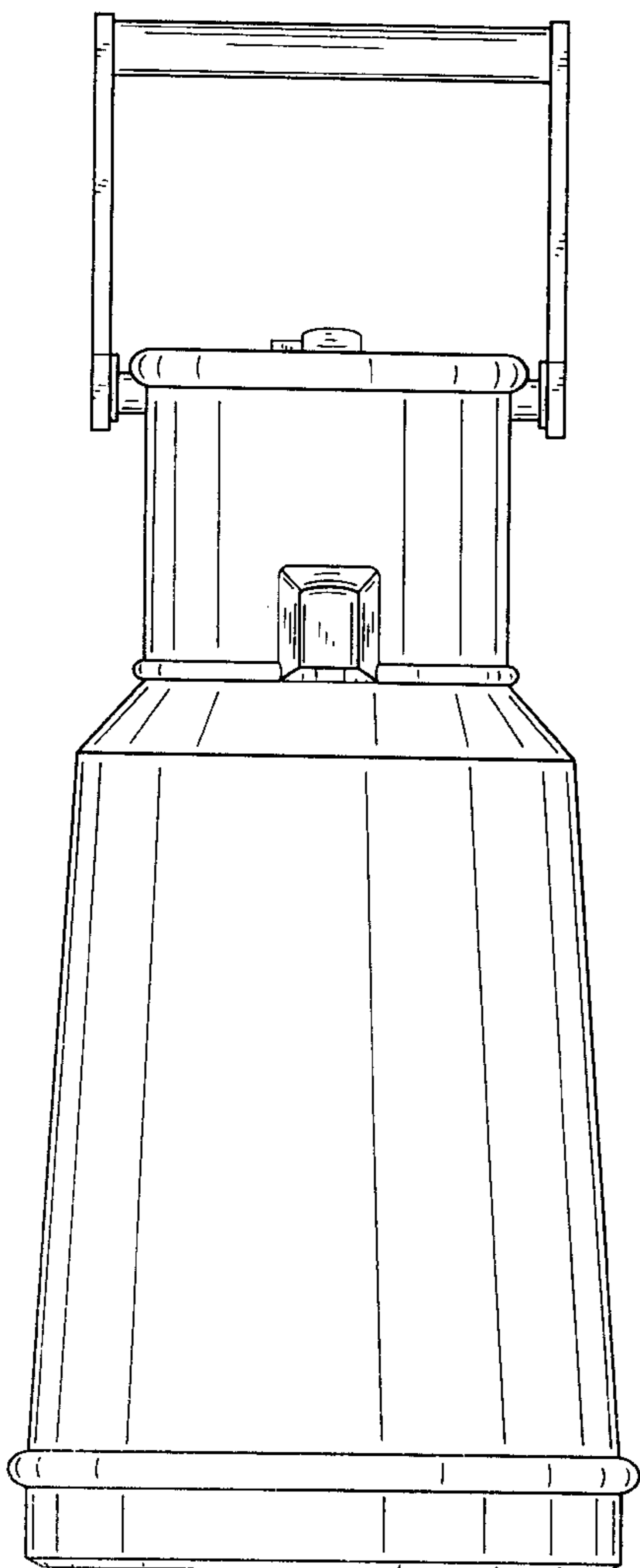


FIG. 1

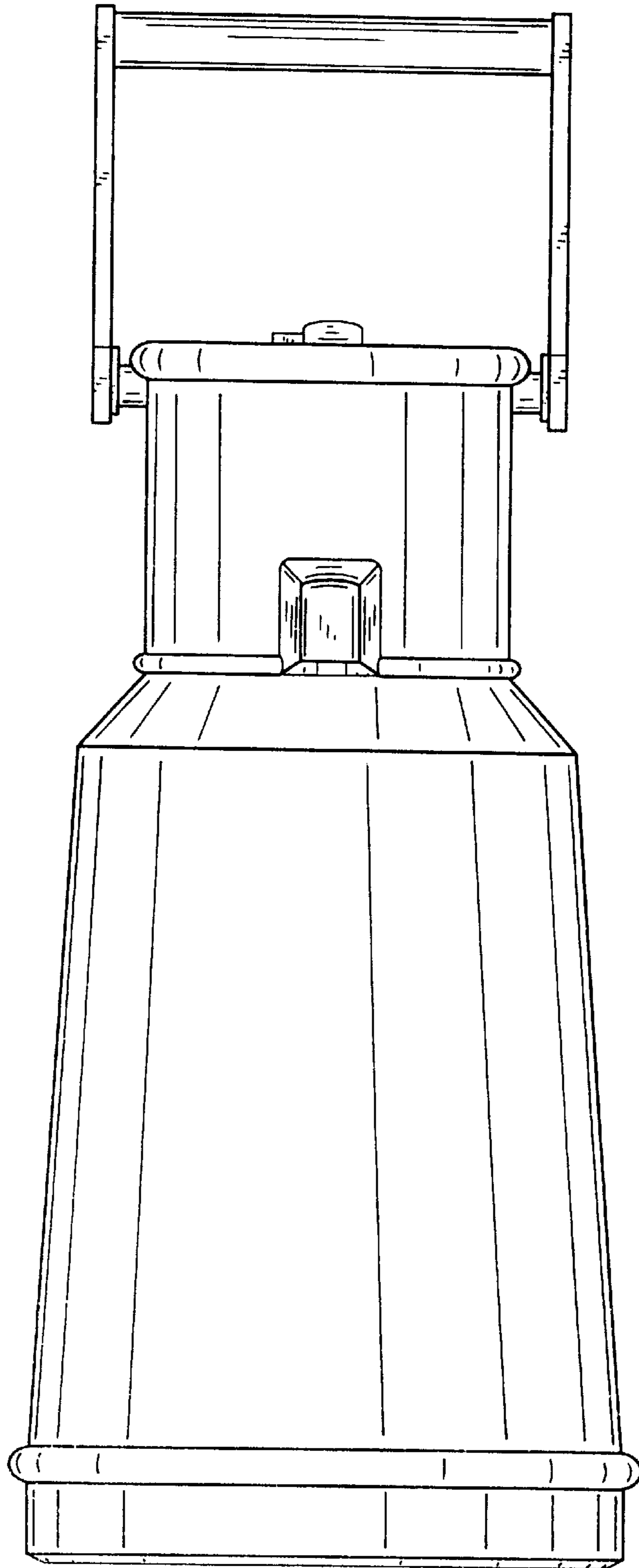


FIG. 2

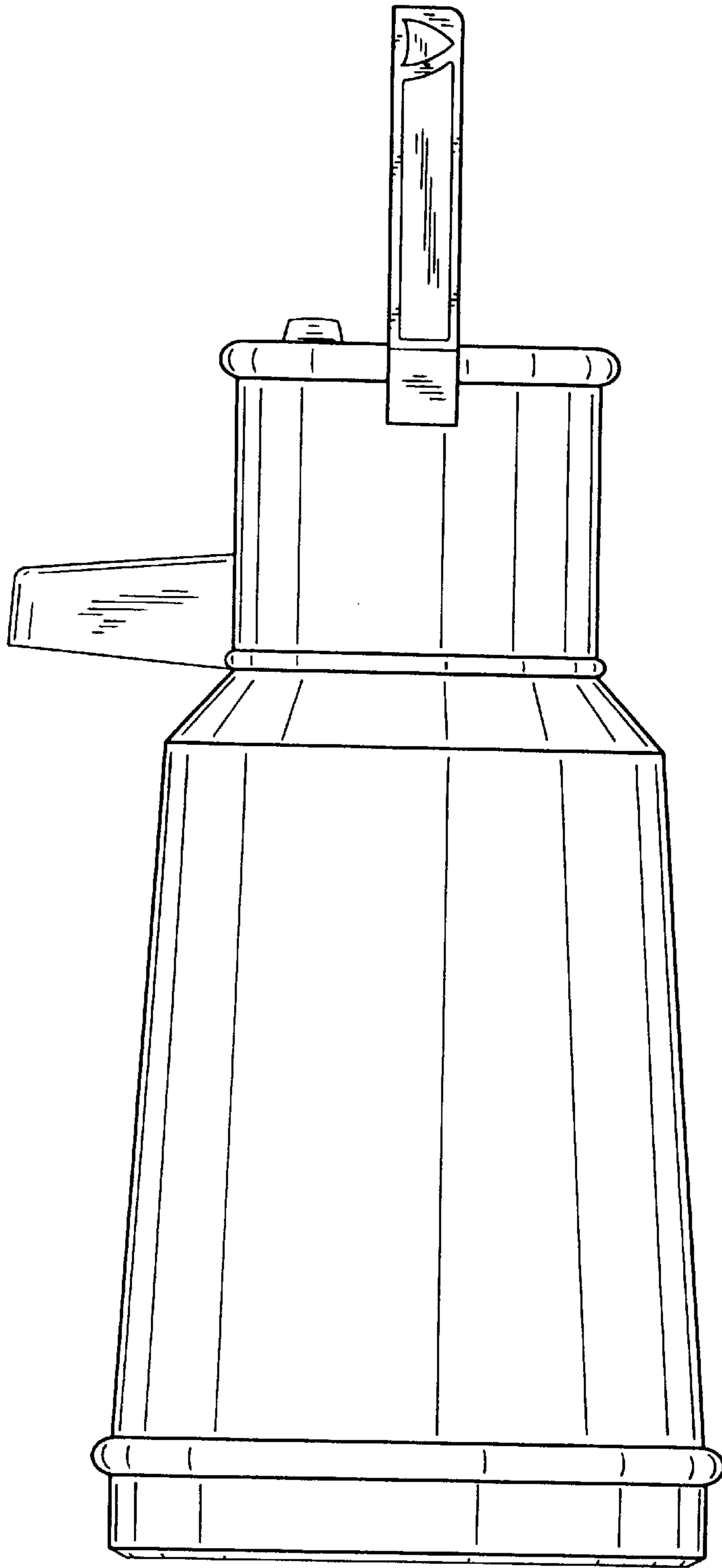


FIG. 3

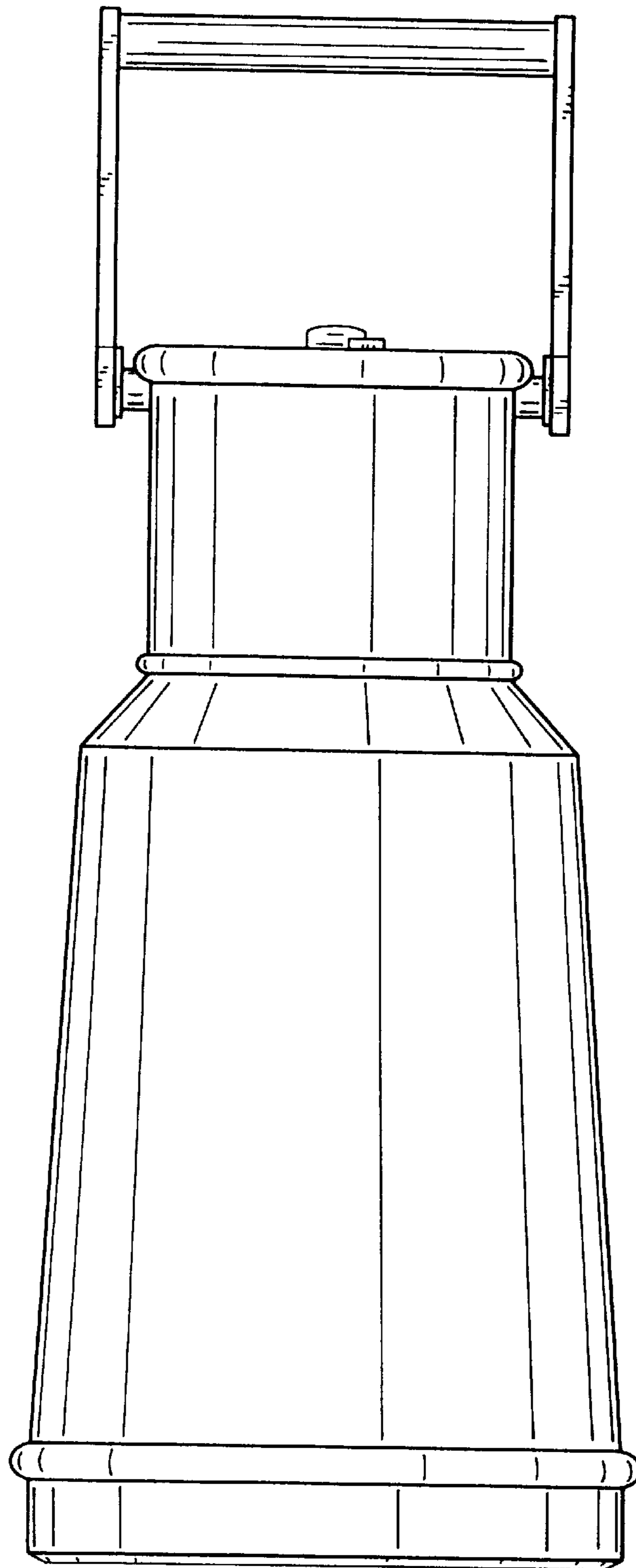


FIG. 4

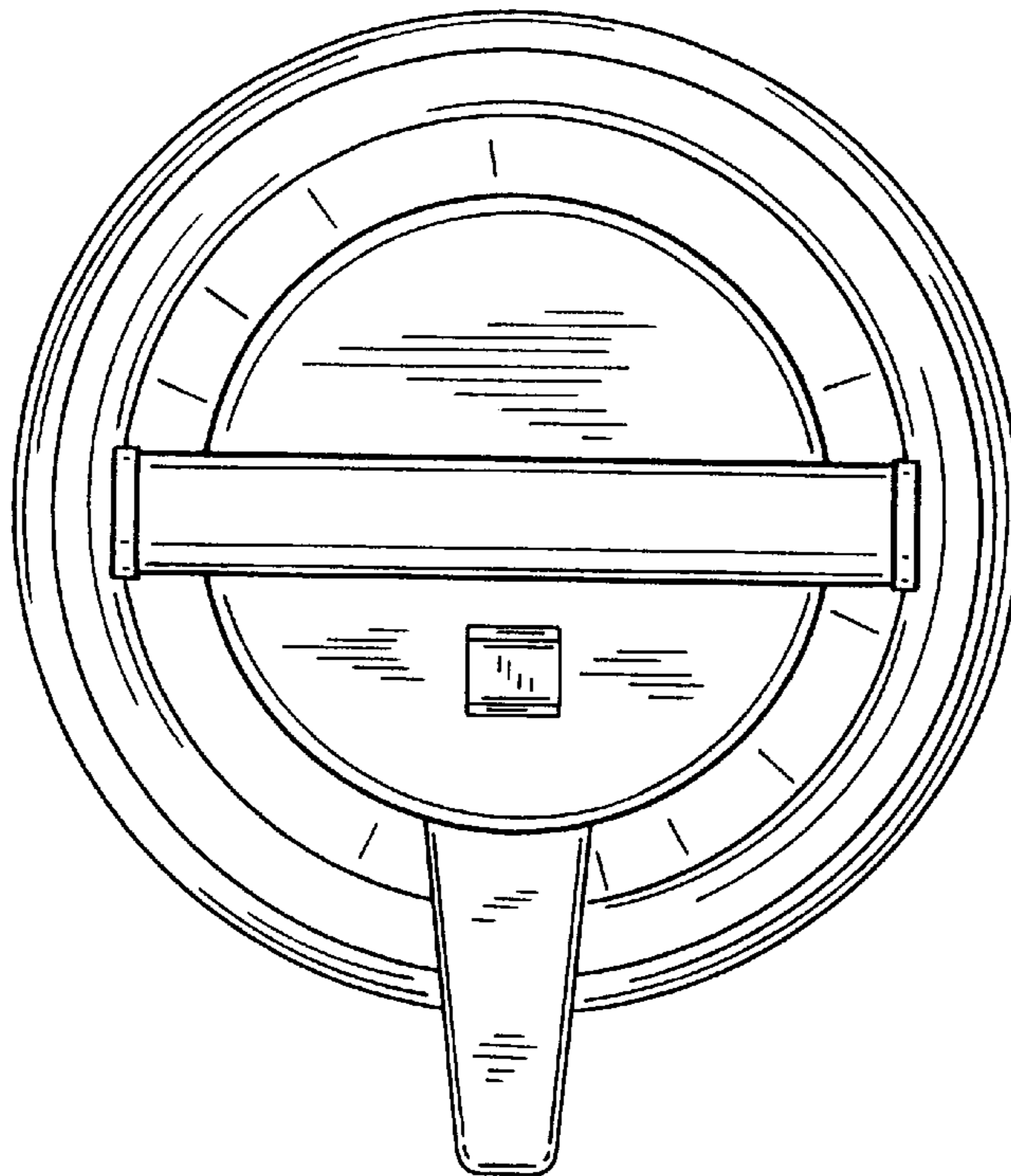


FIG. 5

