



US00D427018S

# United States Patent [19] Varlet

[11] Patent Number: Des. 427,018

[45] Date of Patent: \*\* Jun. 27, 2000

[54] **THREE HANDLED CUP**

[75] Inventor: **Marc F. Varlet**, Etel, France

[73] Assignee: **SIEP SA**, Etel, France

[\*\*] Term: **14 Years**

[21] Appl. No.: **29/107,321**

[22] Filed: **Jun. 30, 1999**

### Related U.S. Application Data

[62] Division of application No. 29/083,430, Jan. 29, 1998.

### Foreign Application Priority Data

Jul. 29, 1997	[FR]	France	.....	97 4565
Aug. 8, 1997	[FR]	France	.....	97 4799

[51] **LOC (7) Cl.** ..... **07-01**

[52] **U.S. Cl.** ..... **D7/533; D7/558**

[58] **Field of Search** ..... D7/388, 387, 534,  
D7/533, 507, 558, 622, 557, 704, 602,  
545, 509, 523, 535; 220/23.4, 484, 711

### [56] References Cited

#### U.S. PATENT DOCUMENTS

D. 166,832	5/1952	Thompson et al. .
D. 194,621	2/1963	Bennett .
D. 237,575	11/1975	Hamilton .

D. 260,471	9/1981	Douglas .
D. 293,291	12/1987	Hansen .
D. 386,948	12/1997	Wissinger .
D. 397,584	9/1998	Vannello .
2,657,891	11/1953	Van Haften et al. .

*Primary Examiner*—M. N. Pandozzi  
*Attorney, Agent, or Firm*—Lowe Hauptman Gopstein  
Gilman & Berner

### [57] CLAIM

The ornamental design for a three handled cup, as shown and described.

### DESCRIPTION

FIG. 1 is a perspective view of a cup having three handles in accordance with a preferred embodiment of my invention; FIG. 2 is a bottom view of the three-handled cup illustrated in FIG. 1;

FIG. 3 is a view, from the left side, of the three-handled cup illustrated in FIG. 1;

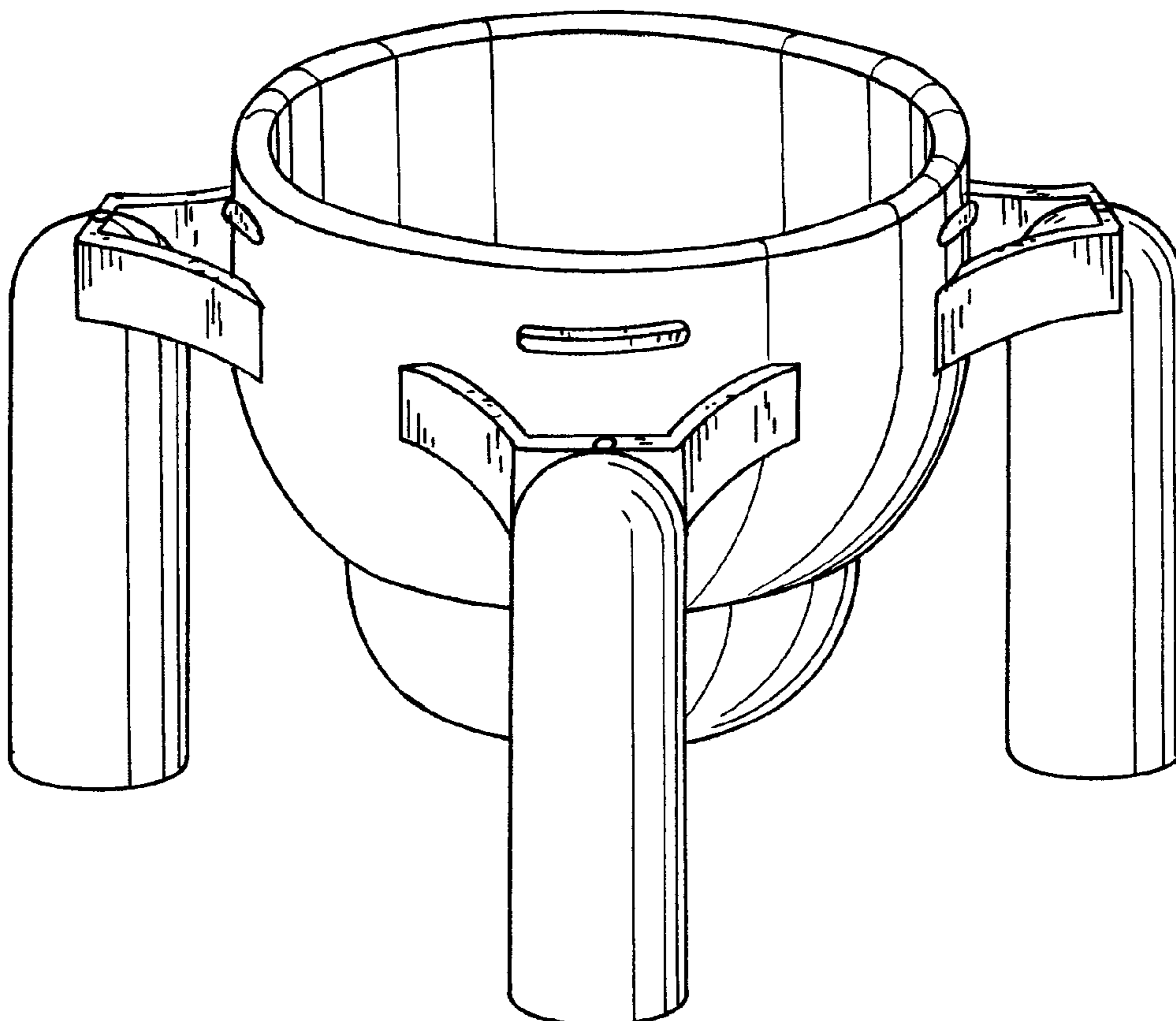
FIG. 4 is a top view of the three-handled cup illustrated in FIG. 1;

FIG. 5 is a front view of the three-handled cup illustrated in FIG. 1;

FIG. 6 is a back view of the three-handled cup illustrated in FIG. 1; and,

FIG. 7 is a cross-sectional view taken along line 7—7 of FIG. 4.

1 Claim, 7 Drawing Sheets



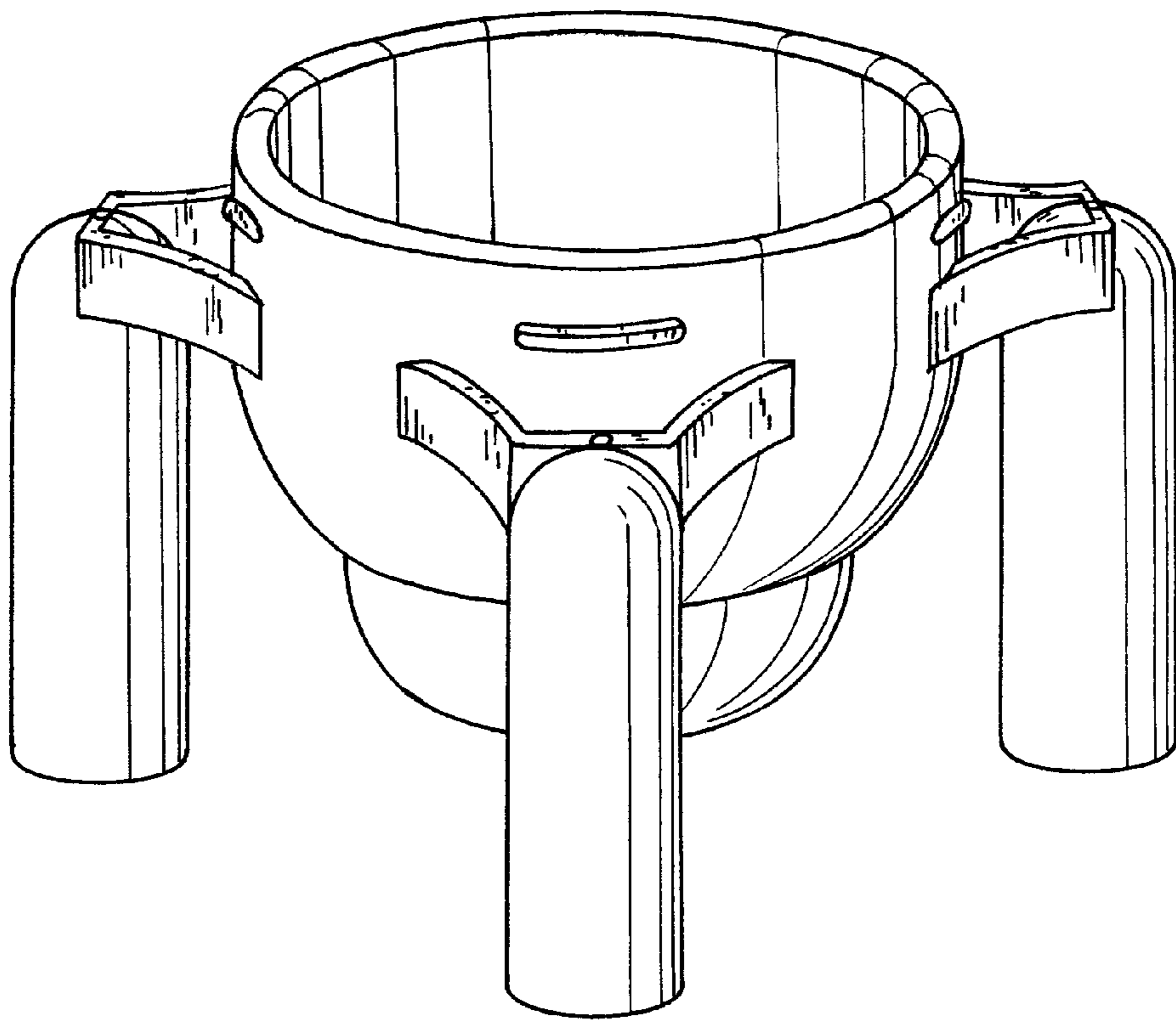


Fig. 1

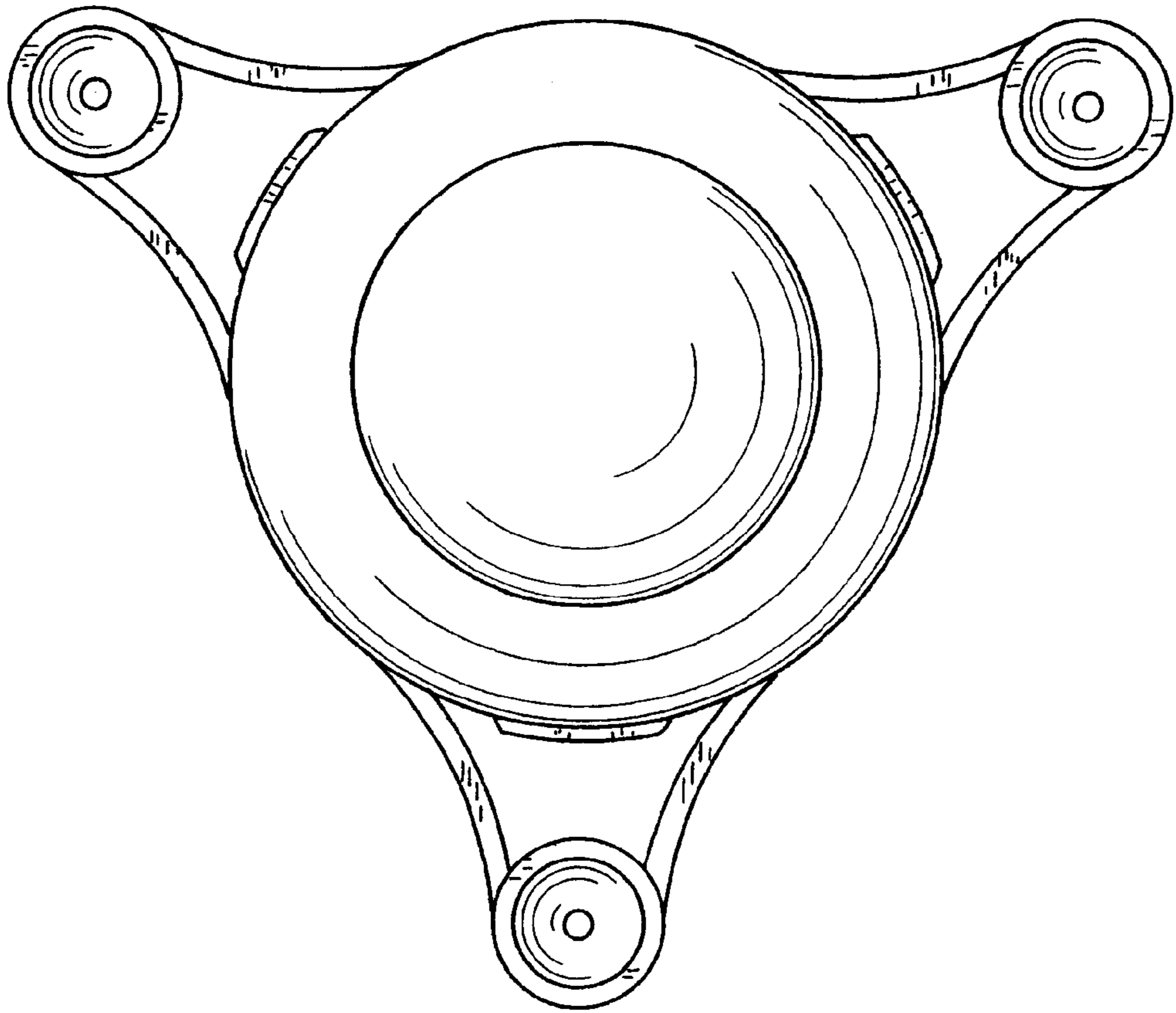


Fig. 2

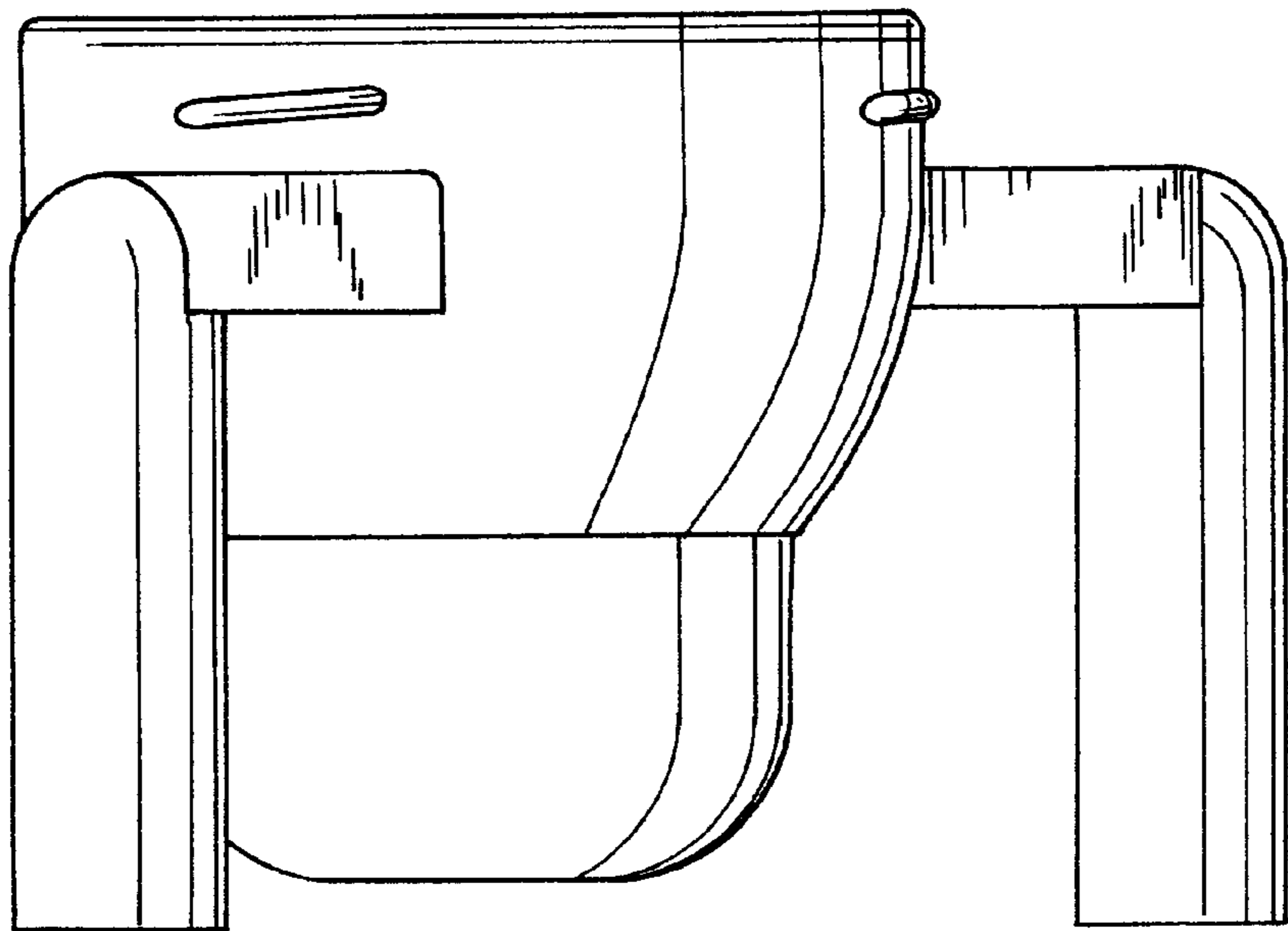


Fig. 3

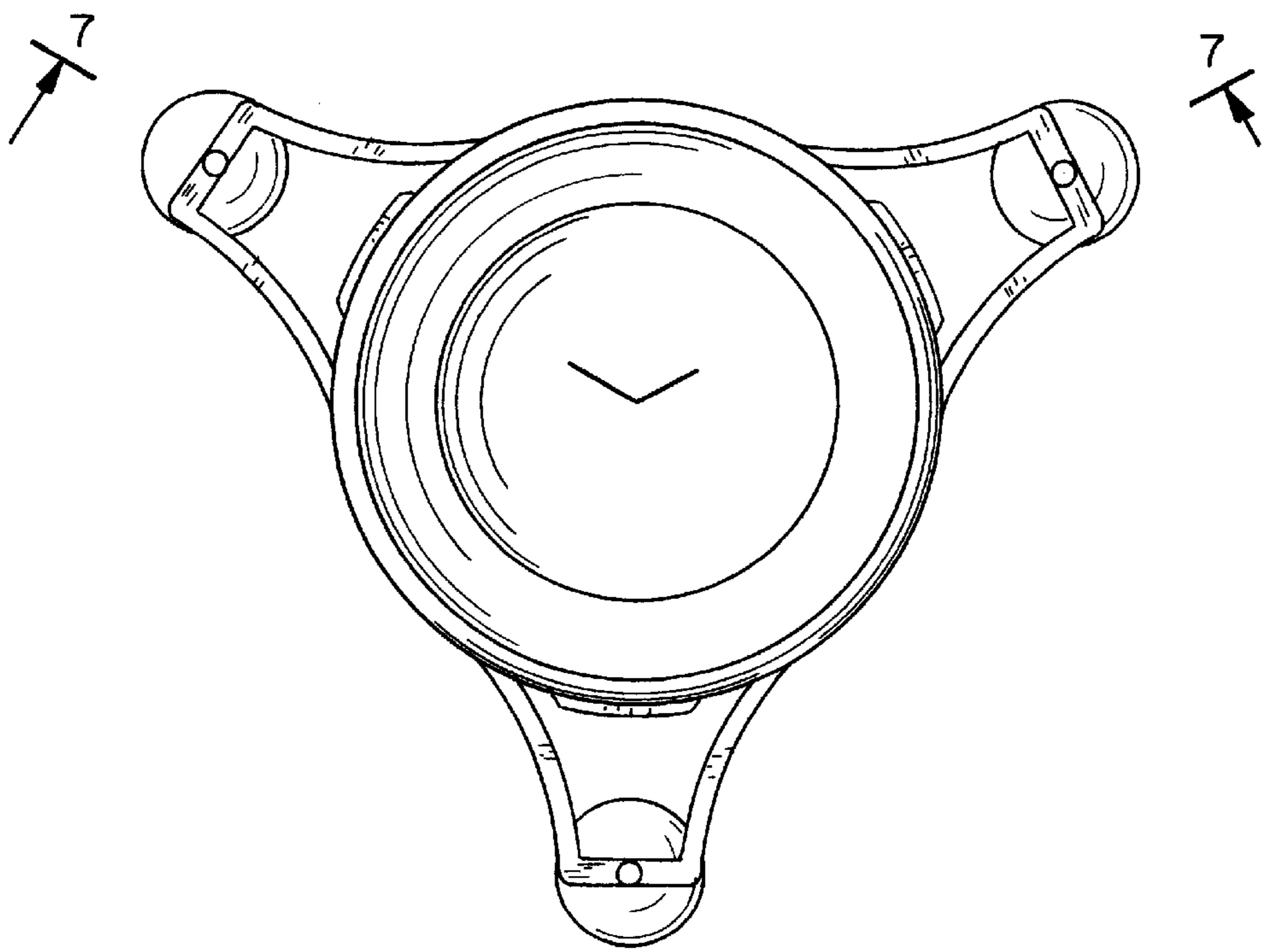


Fig. 4

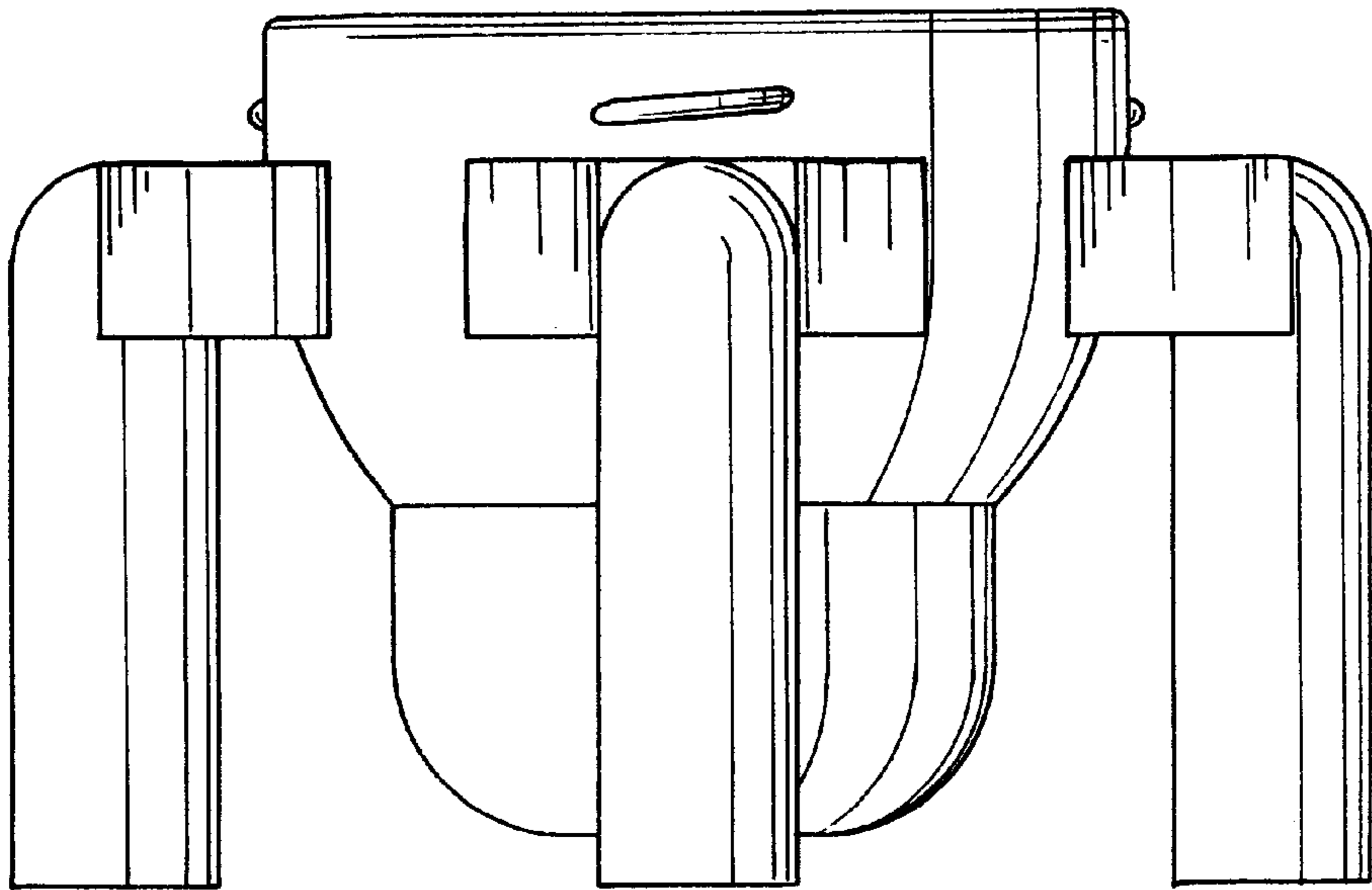


Fig. 5

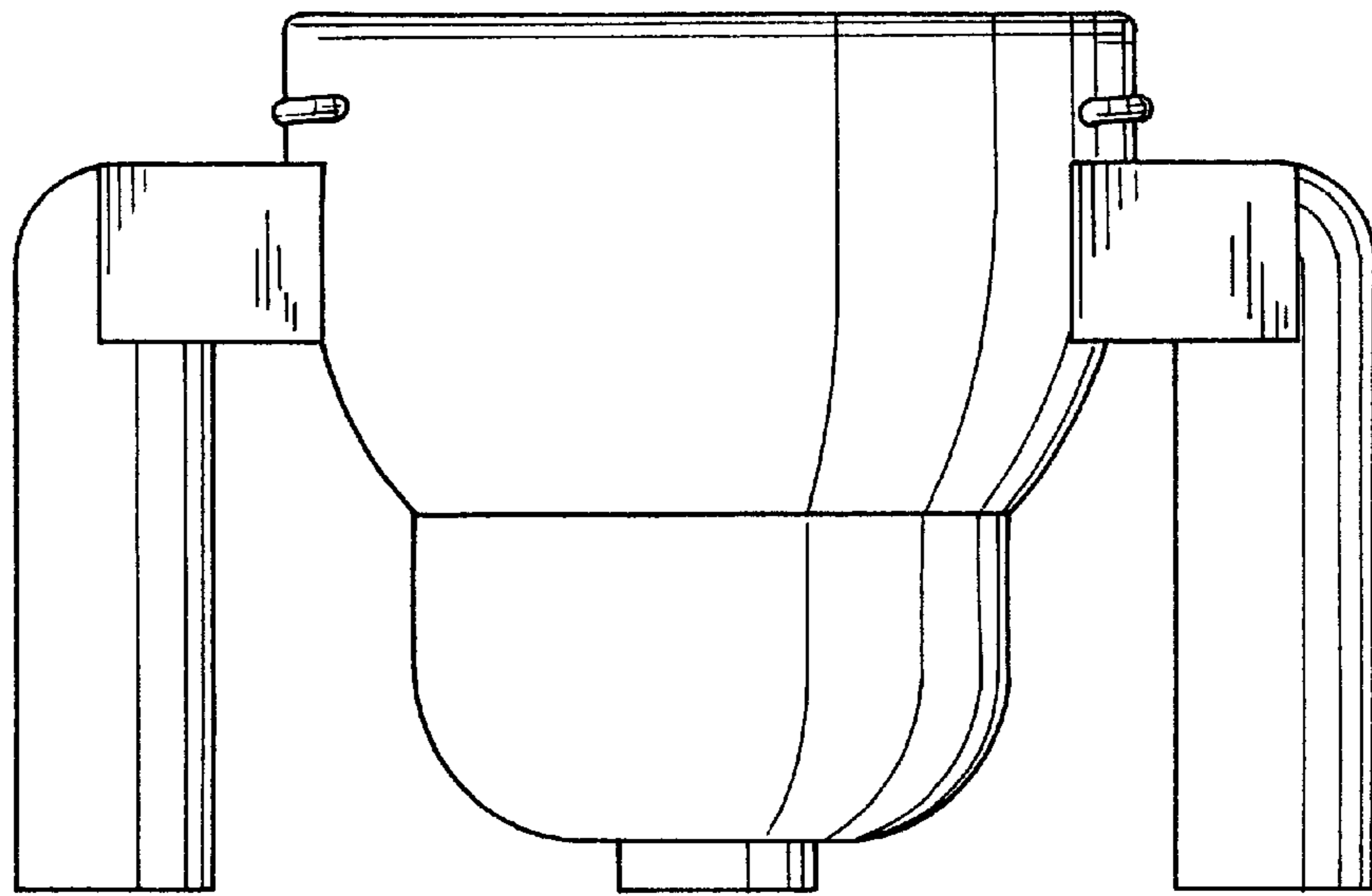


Fig. 6

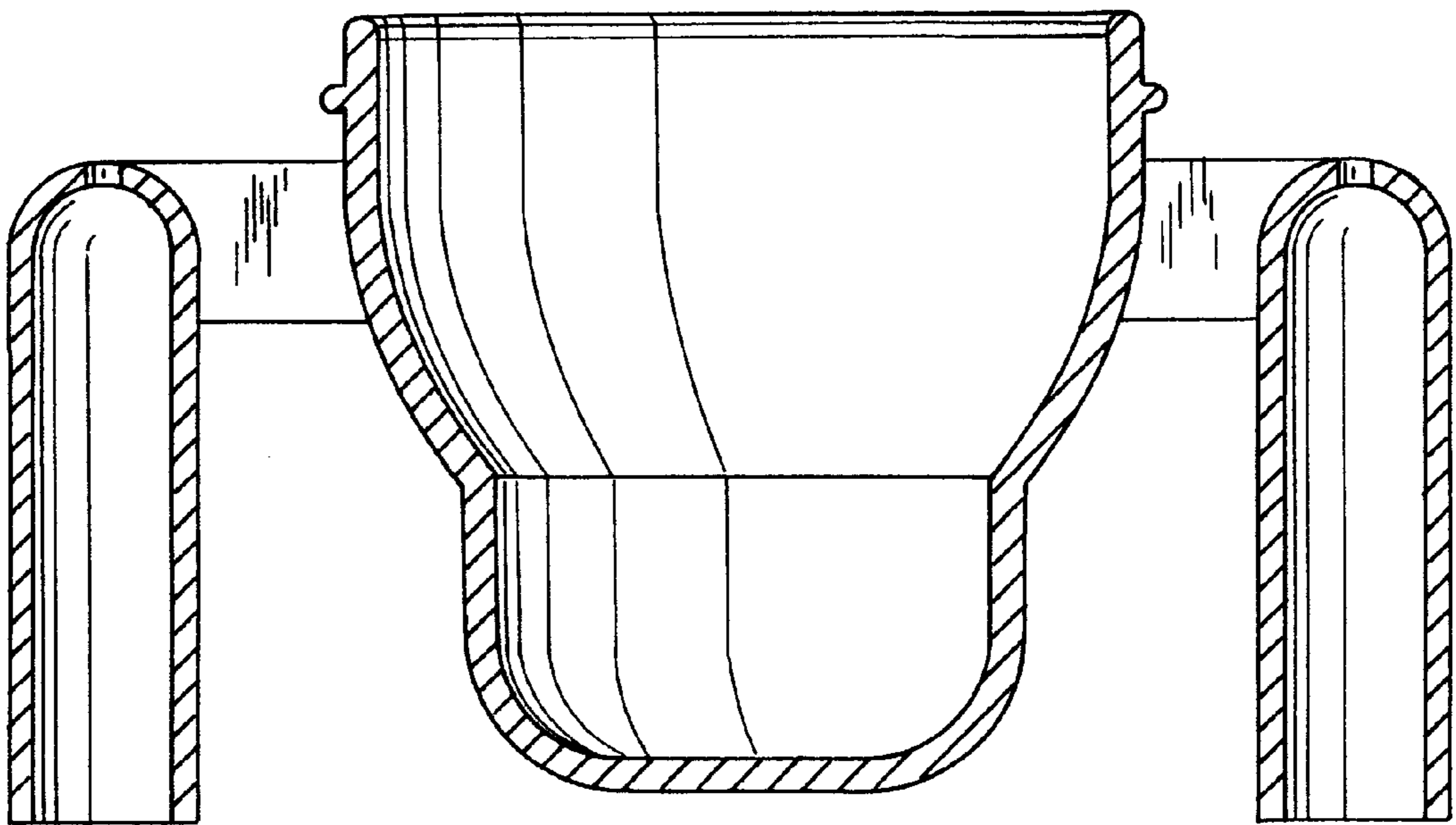


Fig. 7