



US00D427015S

# United States Patent [19] Yip

[11] **Patent Number: Des. 427,015**

[45] **Date of Patent: \*\* Jun. 27, 2000**

[54] **CRANK-OPERATED SUCTION-MOUNTABLE  
KITCHEN APPLIANCE**

[76] Inventor: **Chung Lun Yip**, 3rd Floor, Blocks  
A&C, King Yip Factory Building, No.  
59 King Yip Stsreet, Kwun Tong, The  
Hong Kong Special Administrative  
Region of the People's Republic of  
China

[\*\*] Term: **14 Years**

[21] Appl. No.: **29/099,459**

[22] Filed: **Jan. 21, 1999**

[30] **Foreign Application Priority Data**

Oct. 2, 1998 [GB] United Kingdom ..... 2078155

[51] **LOC (7) Cl.** ..... **31-00**

[52] **U.S. Cl.** ..... **D7/412**

[58] **Field of Search** ..... D7/376-386, 412;  
366/129, 130, 149, 197, 199, 204, 205,  
242, 244, 247, 279, 314; 241/92, 93, 282.1,  
282.2; 248/127; 220/480, 483

[56] **References Cited**

**U.S. PATENT DOCUMENTS**

D. 361,694 8/1995 Wong ..... D7/384  
D. 395,194 6/1998 Wong ..... D7/384

*Primary Examiner*—Caron D. Veynar  
*Attorney, Agent, or Firm*—Ladas & Parry

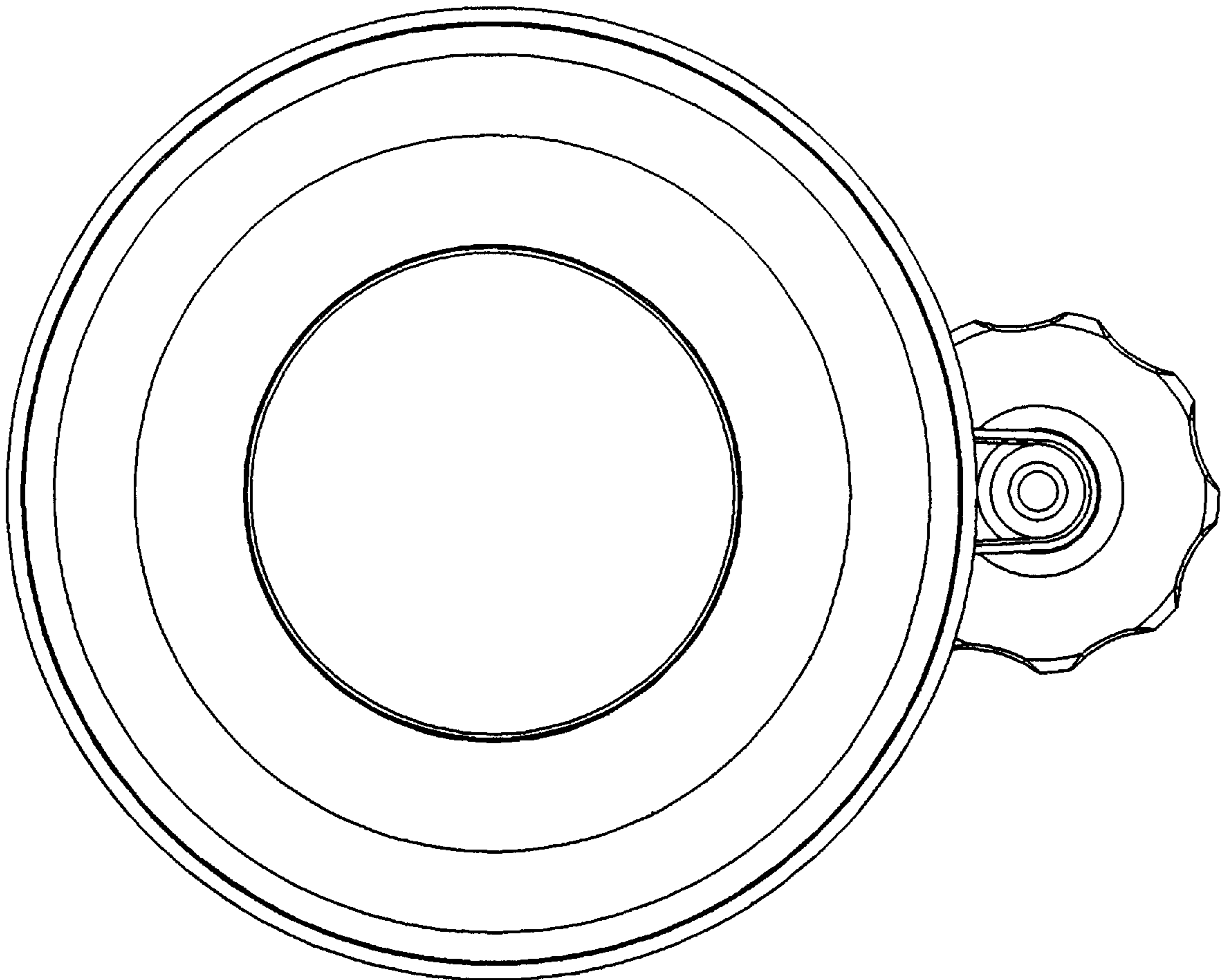
[57] **CLAIM**

The ornamental design for crank-operated suction-mount-  
able kitchen appliance, as shown.

**DESCRIPTION**

FIG. 1 is a rear elevational view of a crank-operated  
suction-mountable kitchen appliance;  
FIG. 2 is a right-side elevational view thereof;  
FIG. 3 is a front elevational view thereof;  
FIG. 4 is a left-side elevational view thereof;  
FIG. 5 is a bottom, left side and front perspective view  
thereof;  
FIG. 6 is a top and rear perspective view thereof;  
FIG. 7 is a top plan view thereof; and,  
FIG. 8 is a bottom plan view thereof.

**1 Claim, 8 Drawing Sheets**



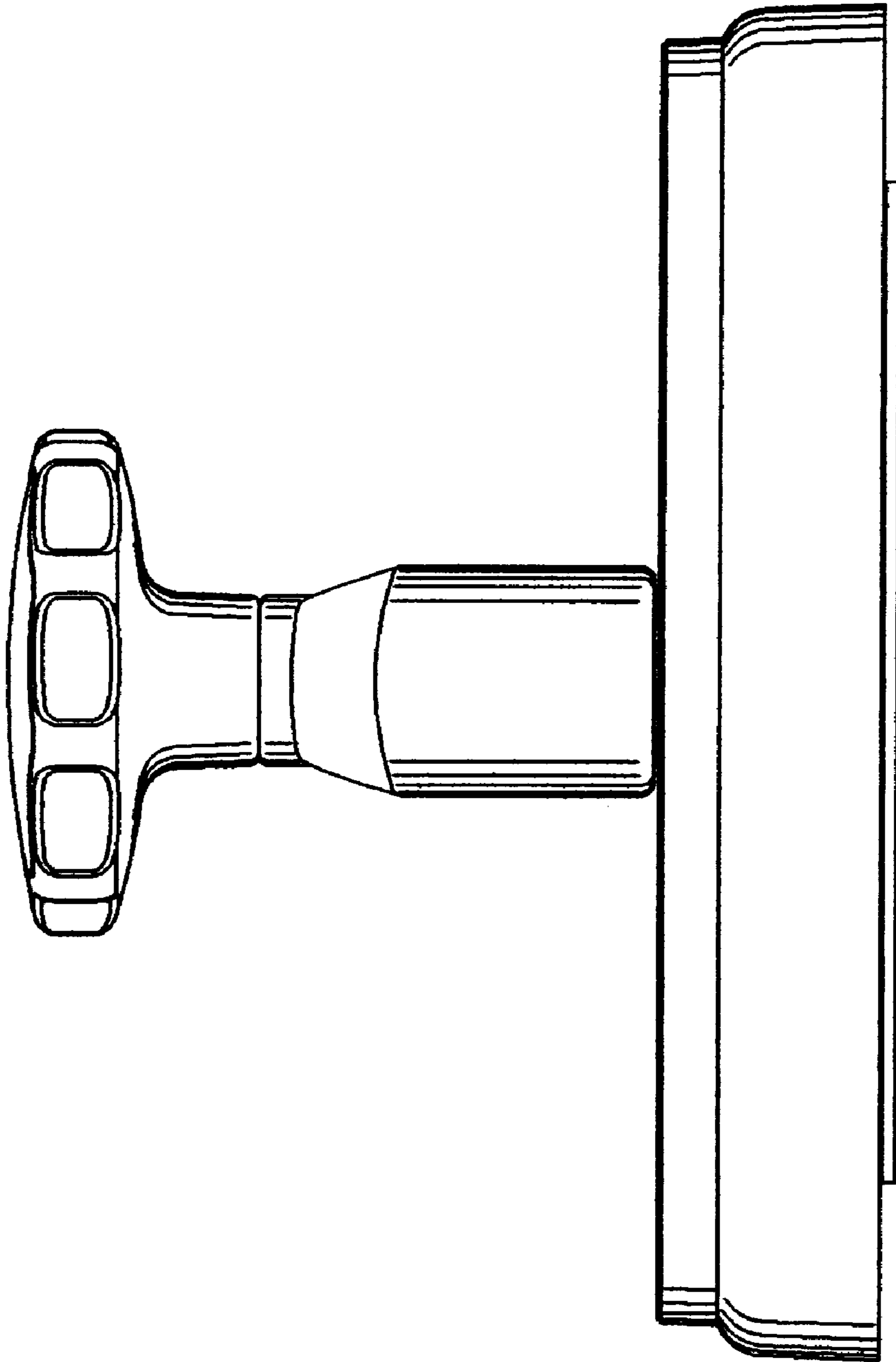


FIG 1

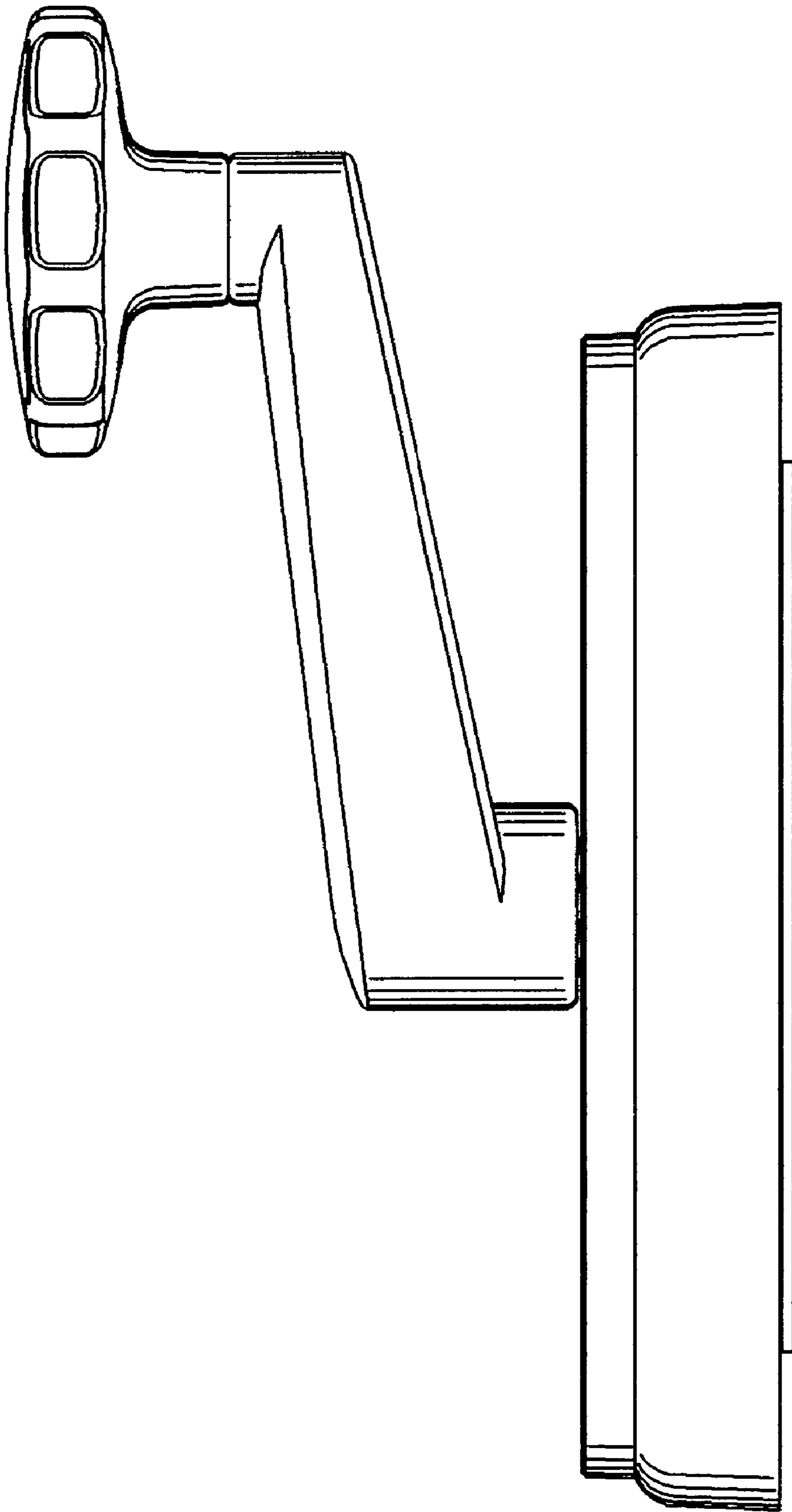


FIG 2

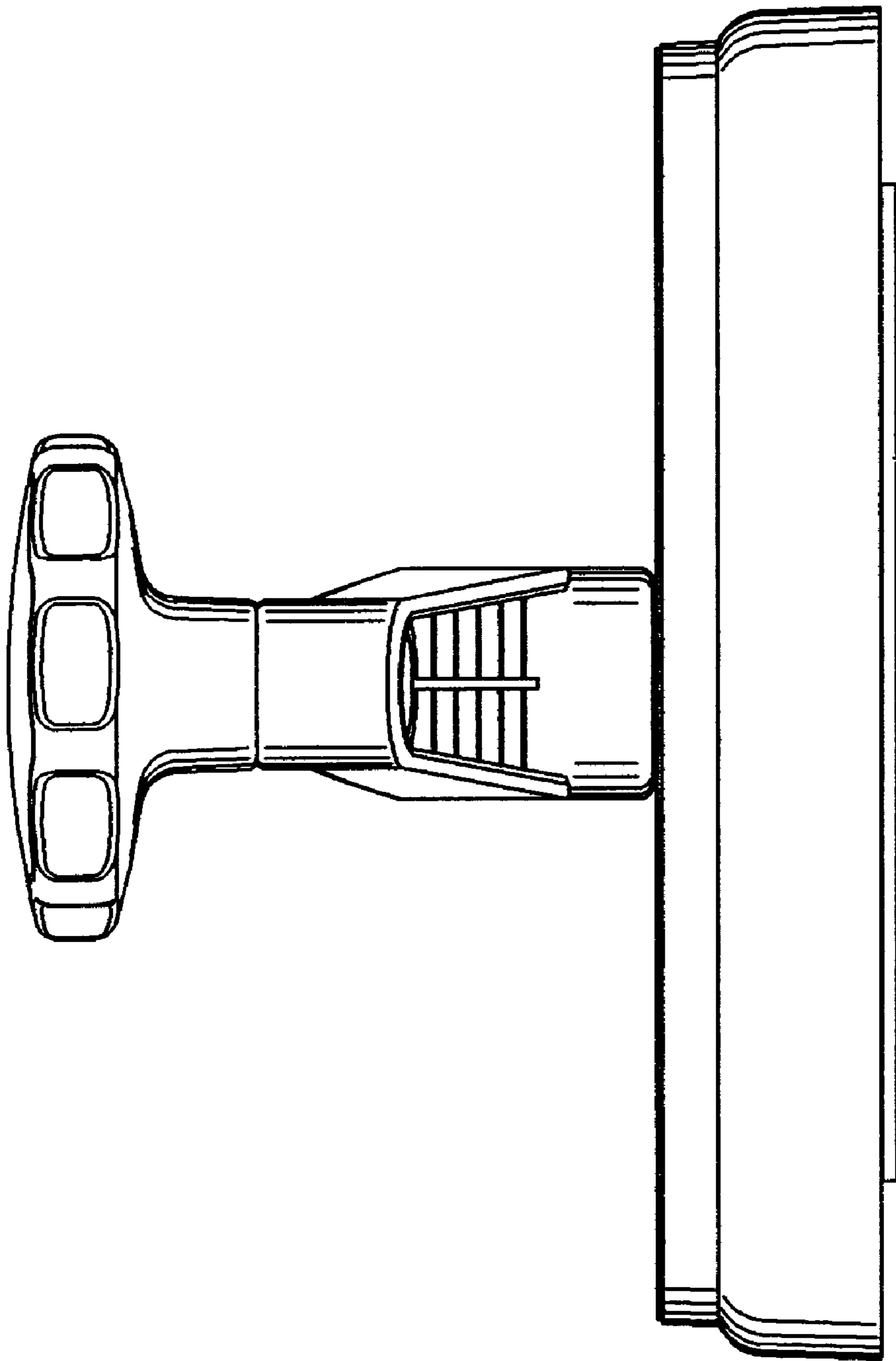


FIG 3

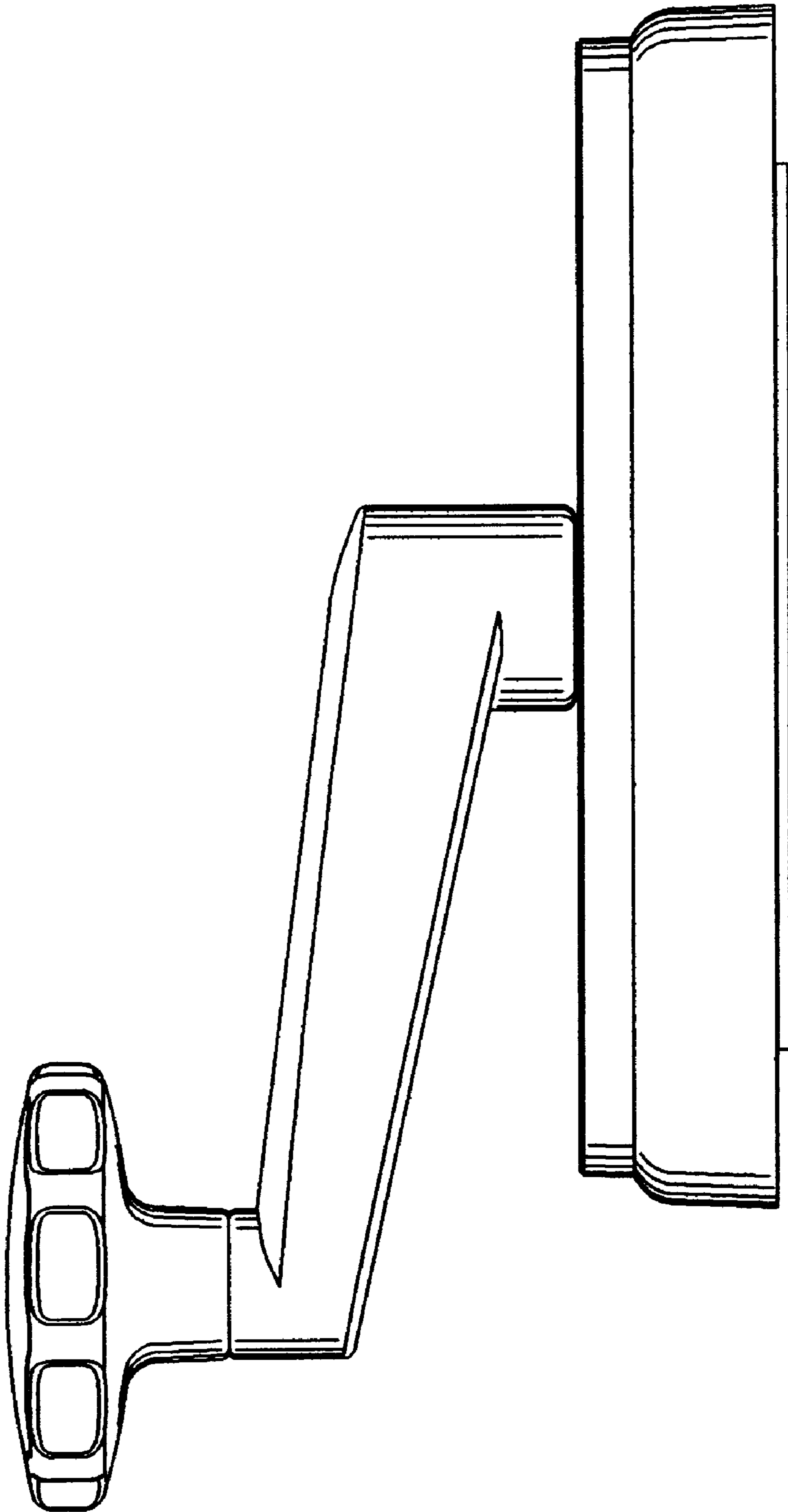


FIG 4

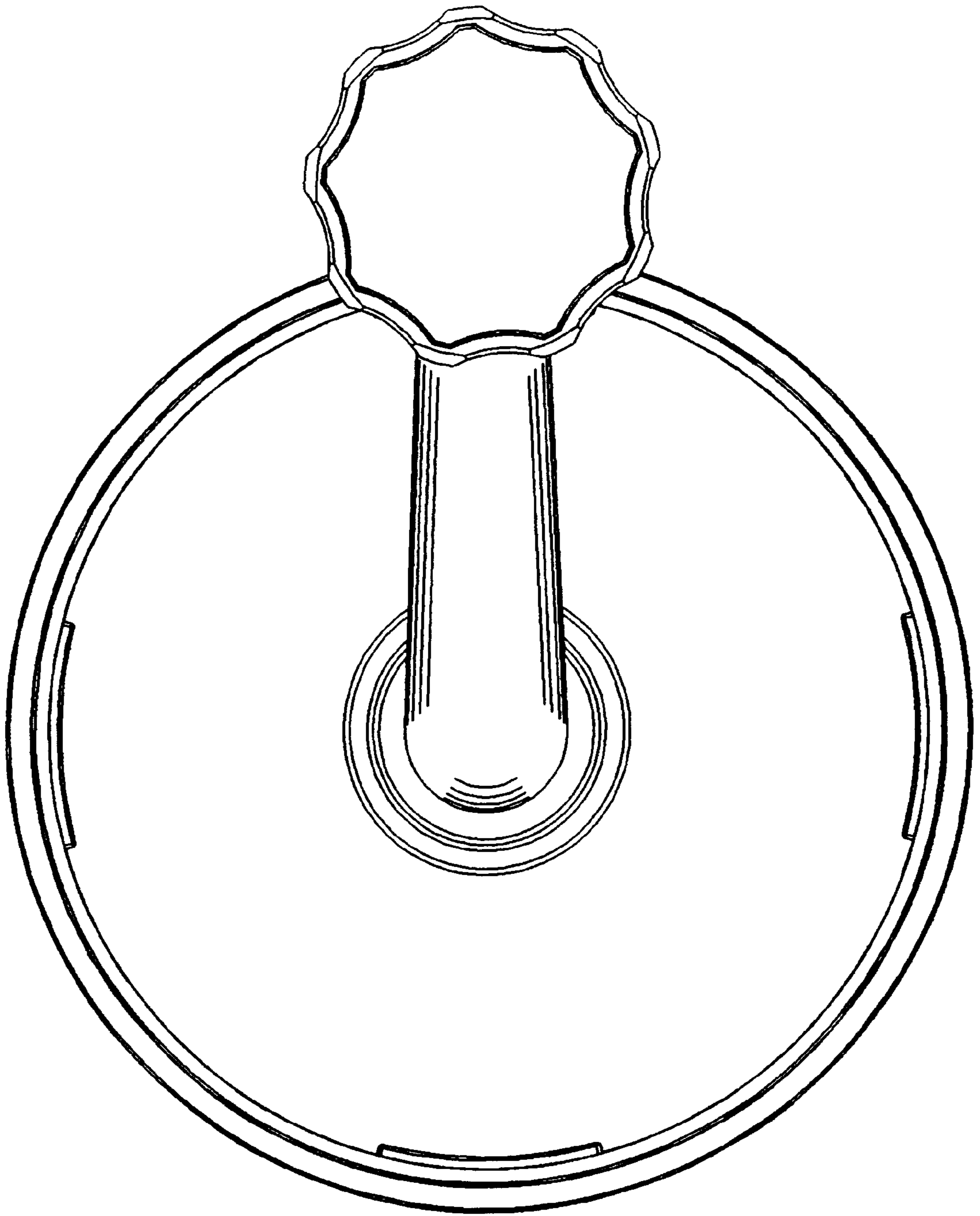


FIG 5

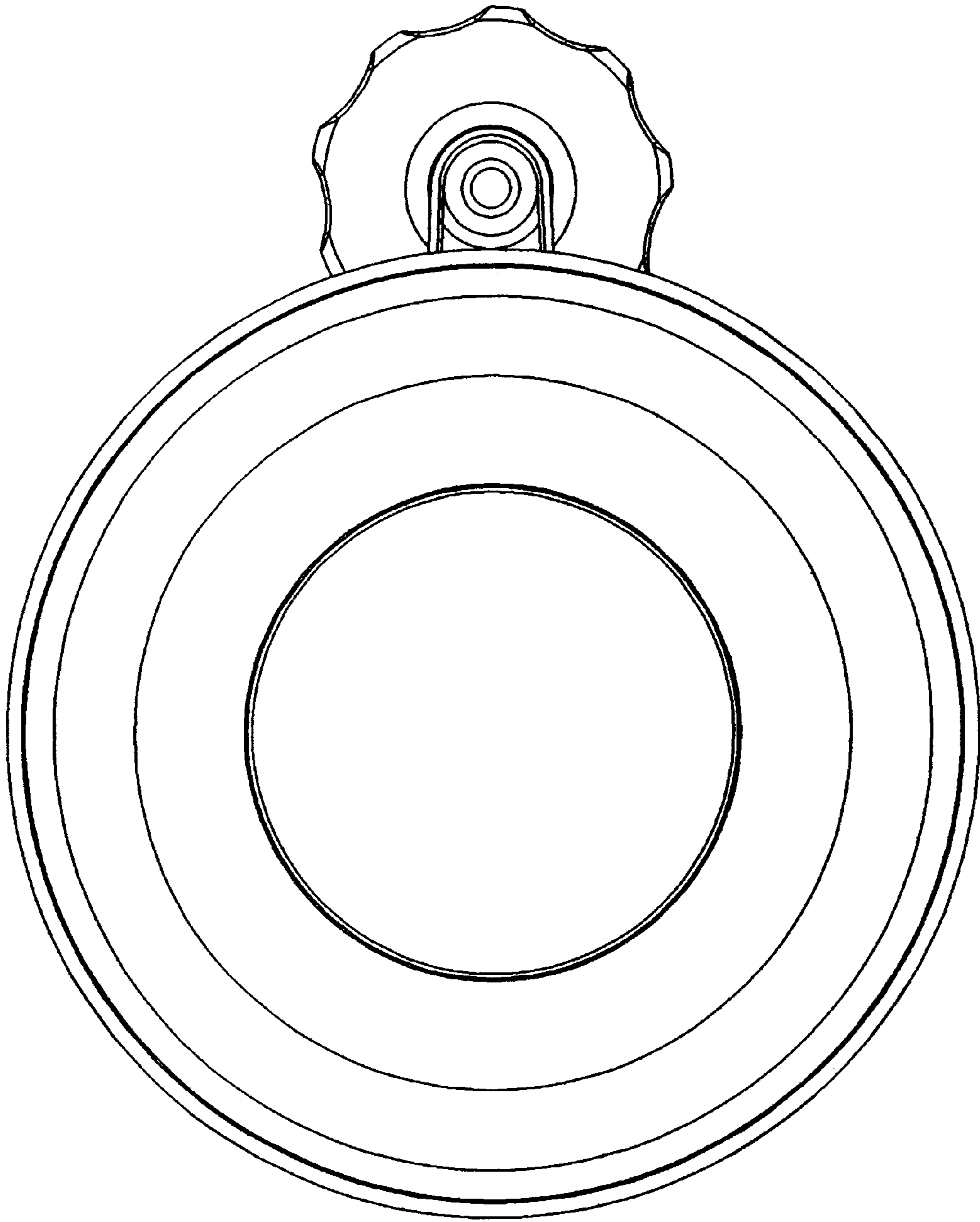


FIG 6



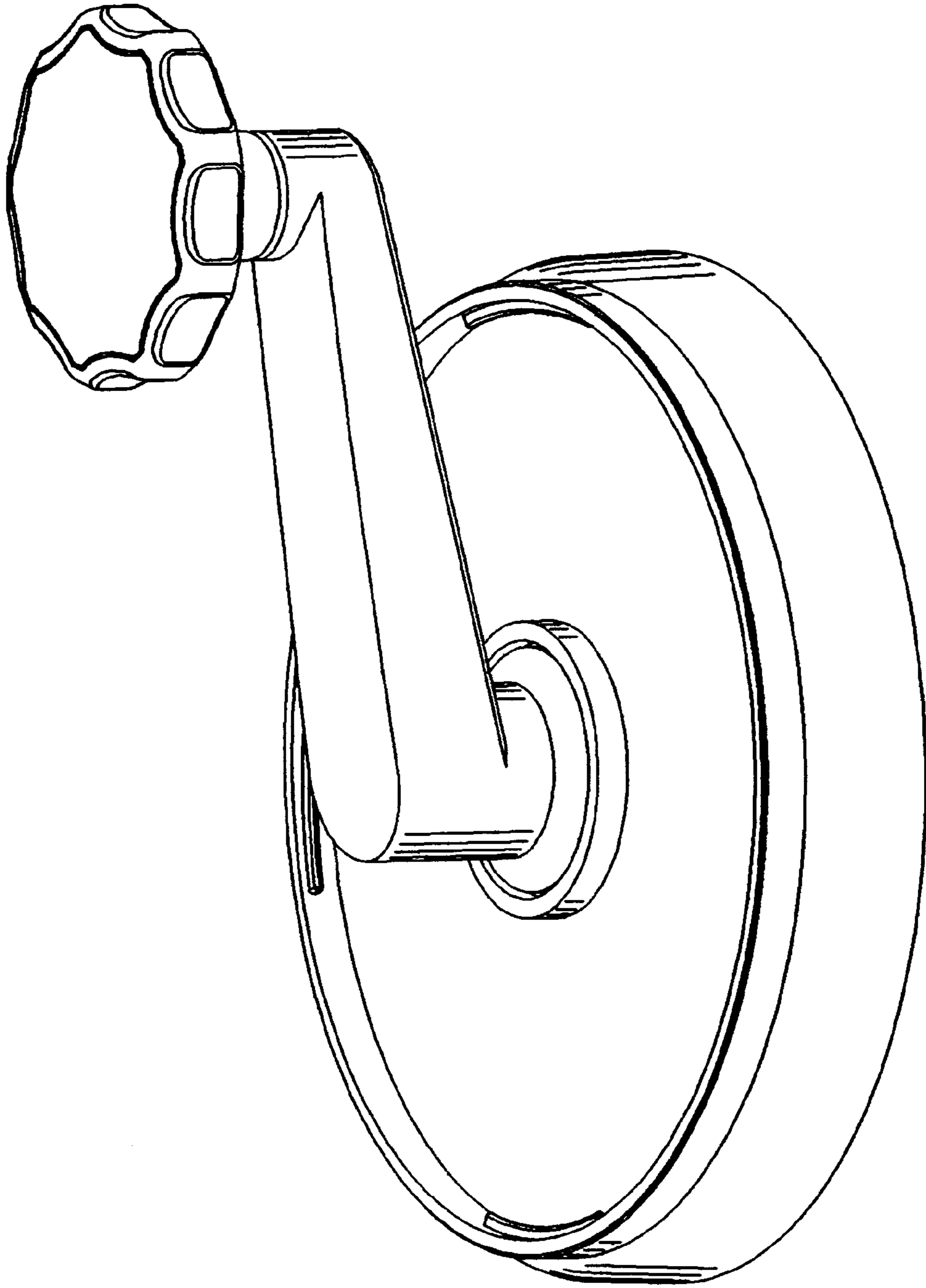


FIG 7



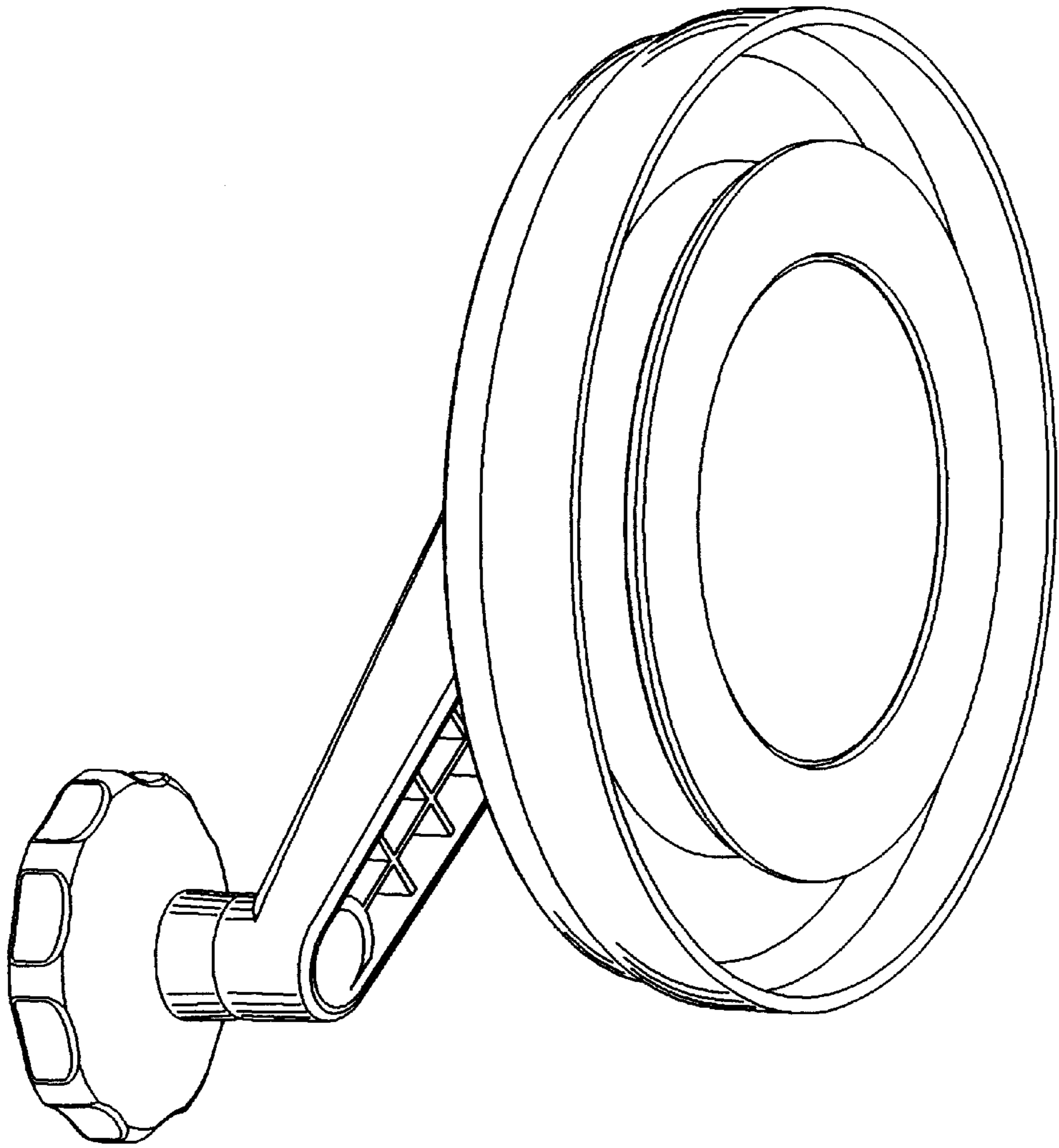


FIG. 8