



US00D427013S

**United States Patent** [19]  
**Knoebel**

[11] **Patent Number: Des. 427,013**  
[45] **Date of Patent: \*\* \*Jun. 27, 2000**

[54] **BEVERAGE CONTAINER HANDLE FOR THE PHYSICALLY CHALLENGED**

[76] Inventor: **Timothy G. Knoebel**, 4210 Clendenning Rd., Pittsburgh, Pa. 15044

[\*] Notice: This patent is subject to a terminal disclaimer.

[\*\*] Term: **14 Years**

[21] Appl. No.: **29/046,882**

[22] Filed: **Nov. 20, 1995**

[51] **LOC (7) Cl.** ..... **07-99**

[52] **U.S. Cl.** ..... **D7/394; D7/393; D7/536; D7/533**

[58] **Field of Search** ..... D7/536, 535, 533, D7/319, 509, 507, 510, 511, 623, 393, 394, 318; D8/167; 16/110 R, 114 R, 125, 114 A

[56] **References Cited**

**U.S. PATENT DOCUMENTS**

- D. 190,205 4/1961 Christoffersen ..... D7/377
- D. 347,547 6/1994 Heinrich ..... D7/533
- D. 347,763 6/1994 Kleckauskas et al. .... D7/533

- 910,648 6/1909 Davidson ..... 16/114 A
- 2,905,500 9/1959 Thombs ..... D7/394 X
- 3,317,232 5/1967 McFaul ..... D7/394 X
- 3,701,558 10/1972 Baker ..... D7/394 X
- 5,270,909 12/1993 Weiss et al. .... 16/110 R X

**OTHER PUBLICATIONS**

Happy Clown Mug, Crockery & Glass Journal Oct. 1960 p. 25.

*Primary Examiner*—M. N. Pandozzi

[57] **CLAIM**

The ornamental design for this beverage container handle for the physically challenged, as shown and described.

**DESCRIPTION**

FIG. 1 is a side elevational of a beverage container handle for the physically challenged.

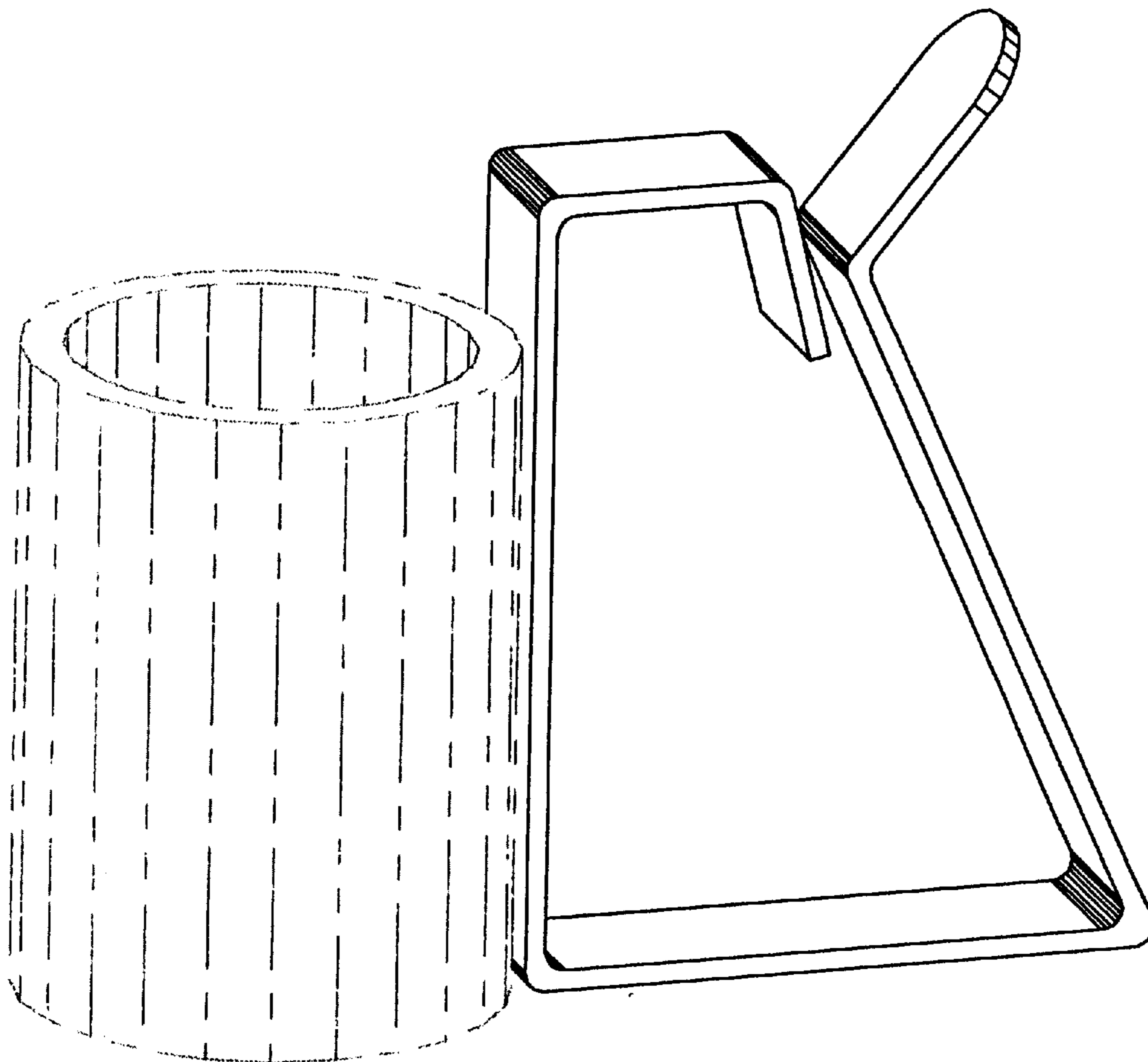
FIG. 2 is a perspective view thereof.

FIG. 3 is a top view thereof.

FIG. 4 is a rear view thereof.

The broken line showing a container in FIGS. 1 thru 4 is for illustrative purposes only and forms no part of the claimed design.

**1 Claim, 2 Drawing Sheets**



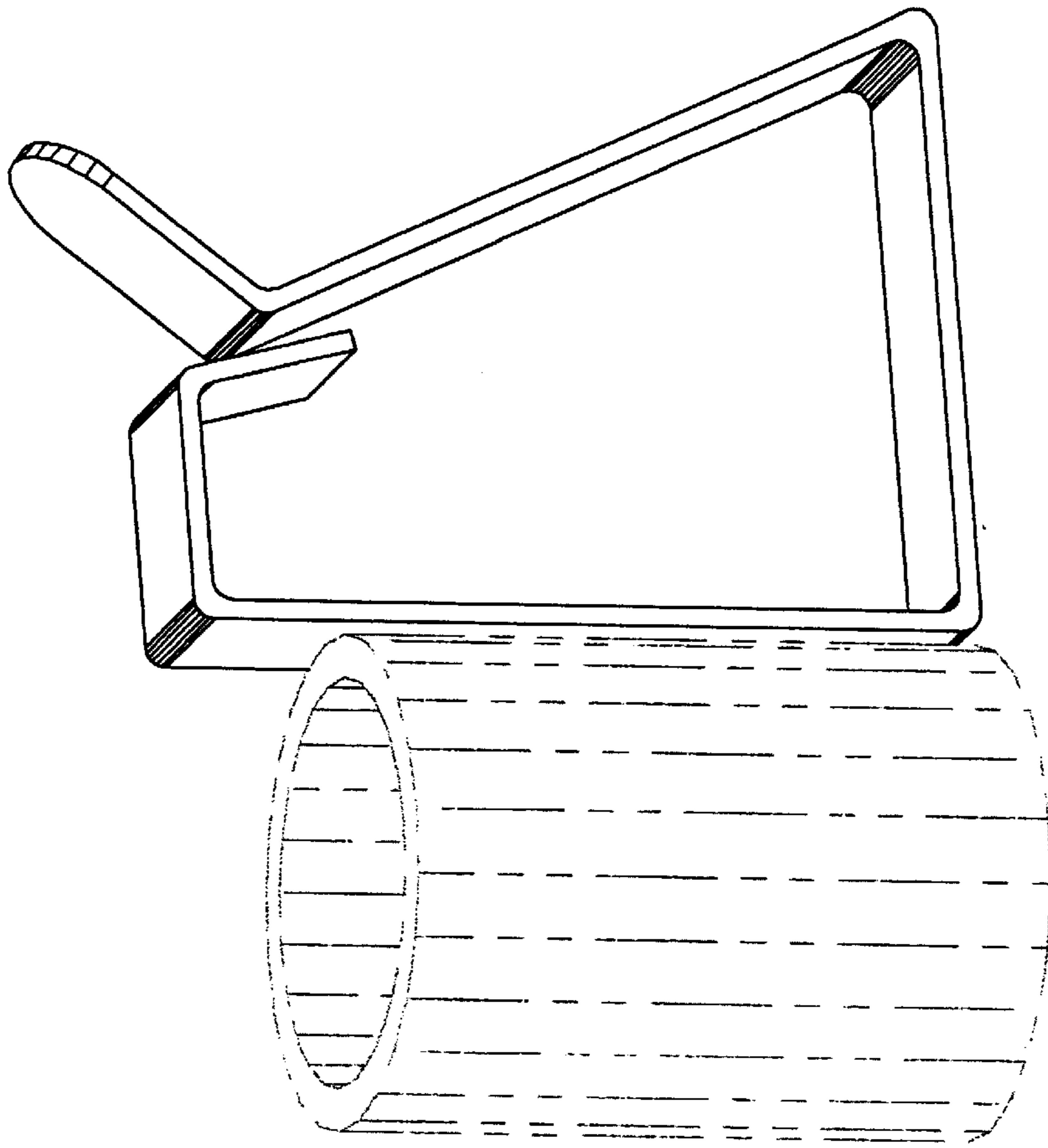


FIG. 2

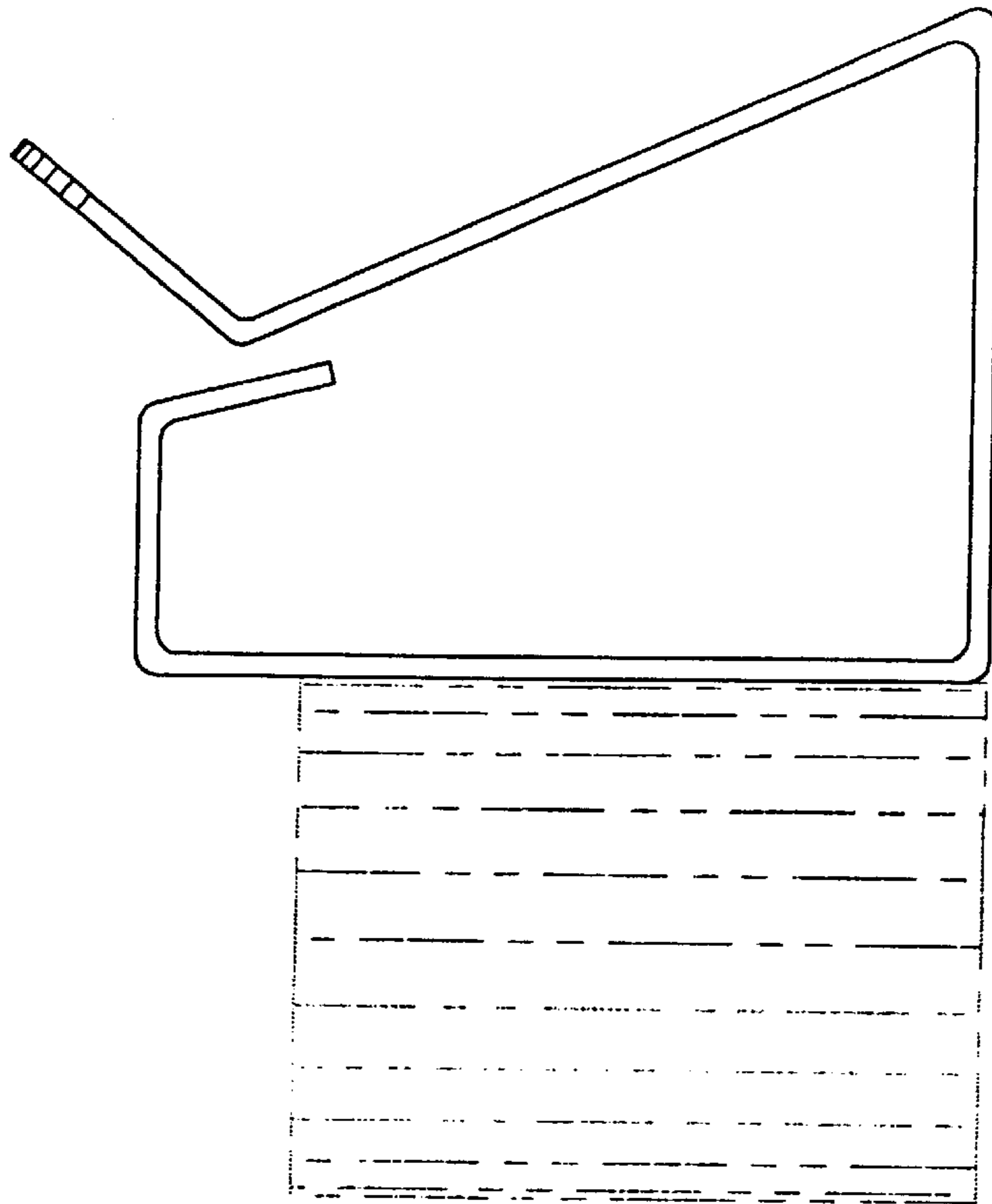


FIG. 1

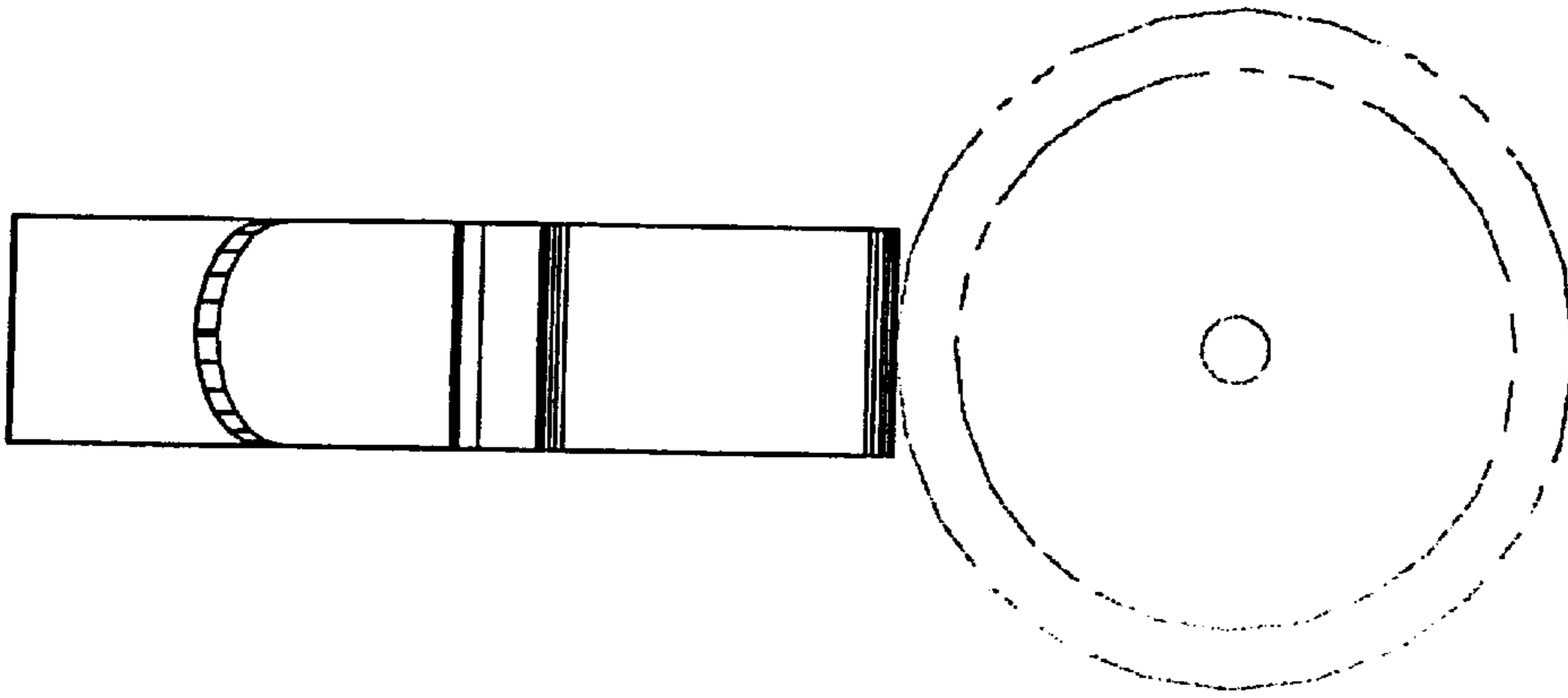


FIG. 3

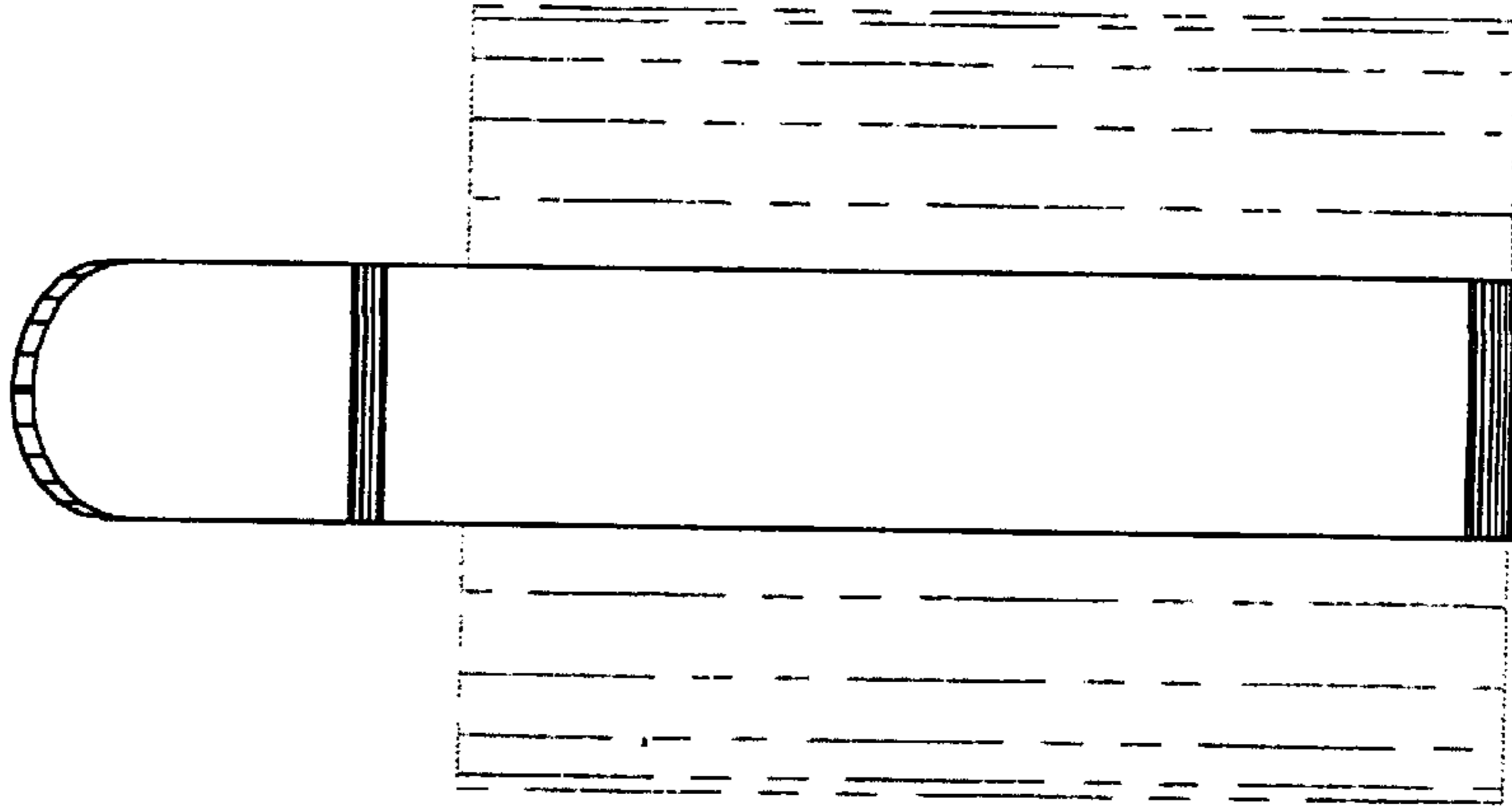


FIG. 4