



US00D427012S

United States Patent [19] Jarvis

[11] **Patent Number: Des. 427,012**
[45] **Date of Patent: ** Jun. 27, 2000**

[54] **ELONGATED PAN LID**

[75] Inventor: **Charles W. Jarvis**, Irvine, Calif.

[73] Assignee: **Cambro Manufacturing Company**,
Huntington Beach, Calif.

[**] Term: **14 Years**

[21] Appl. No.: **29/094,465**

[22] Filed: **Oct. 2, 1998**

[51] **LOC (7) Cl.** **07-02**

[52] **U.S. Cl.** **D7/391**

[58] **Field of Search** D7/323, 354-361,
D7/391-394; 99/324, 325, 339, 357, 341;
220/573.1, 200, 202, 212.5, 241, 287, 810,
811; D9/435, 443

[56] **References Cited**

U.S. PATENT DOCUMENTS

D. 233,115	10/1974	Christian et al.	D7/392.1
D. 245,564	8/1977	Blanchard	D7/392.1
D. 246,344	11/1977	Yonkers	D7/391
D. 298,899	12/1988	Blum et al.	D7/505
D. 300,895	5/1989	Watson et al.	D7/392.1
3,529,744	9/1970	Johnson et al.	220/212.5

Primary Examiner—Caron D. Veynar

Attorney, Agent, or Firm—George F. Bethel

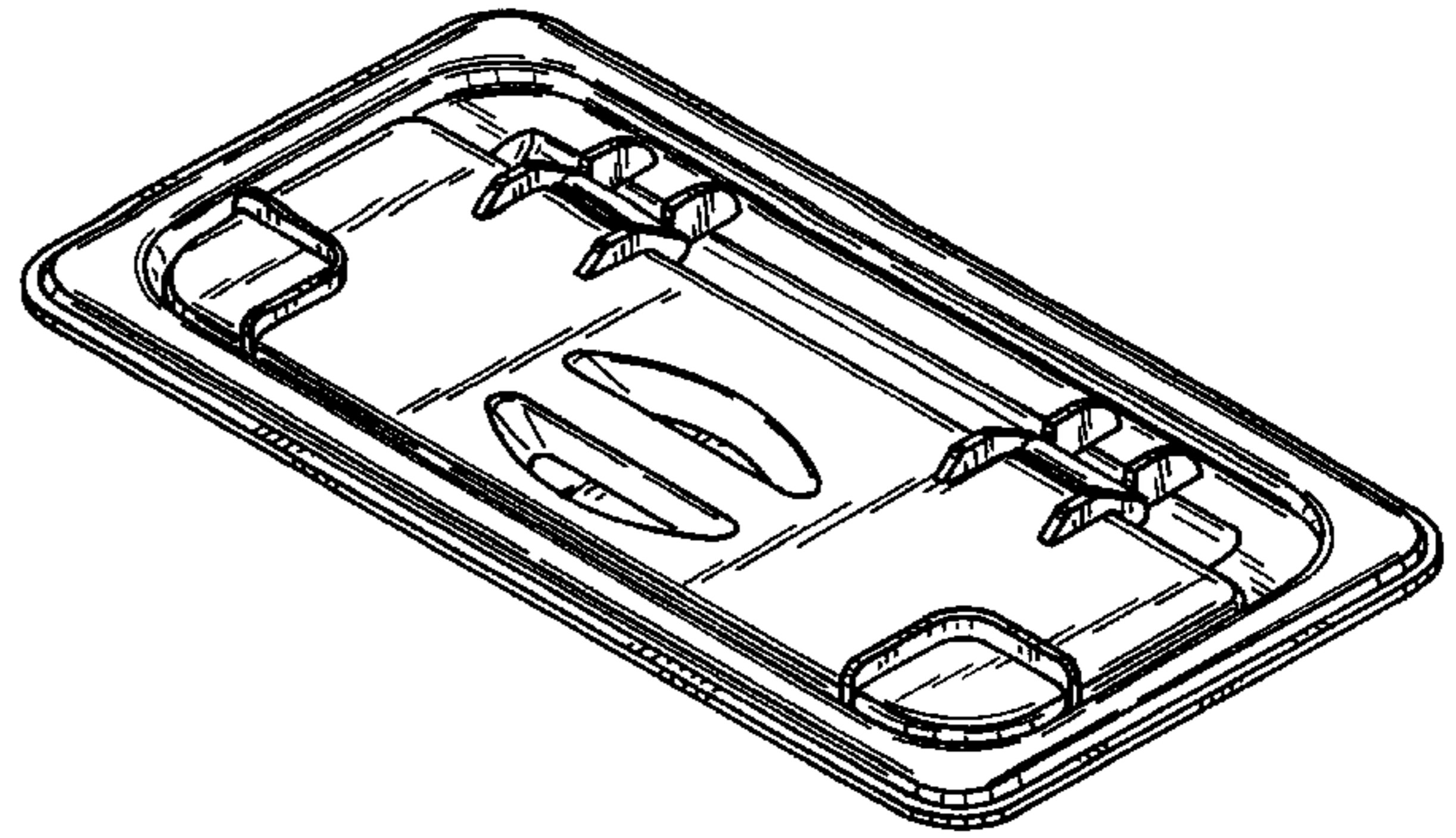
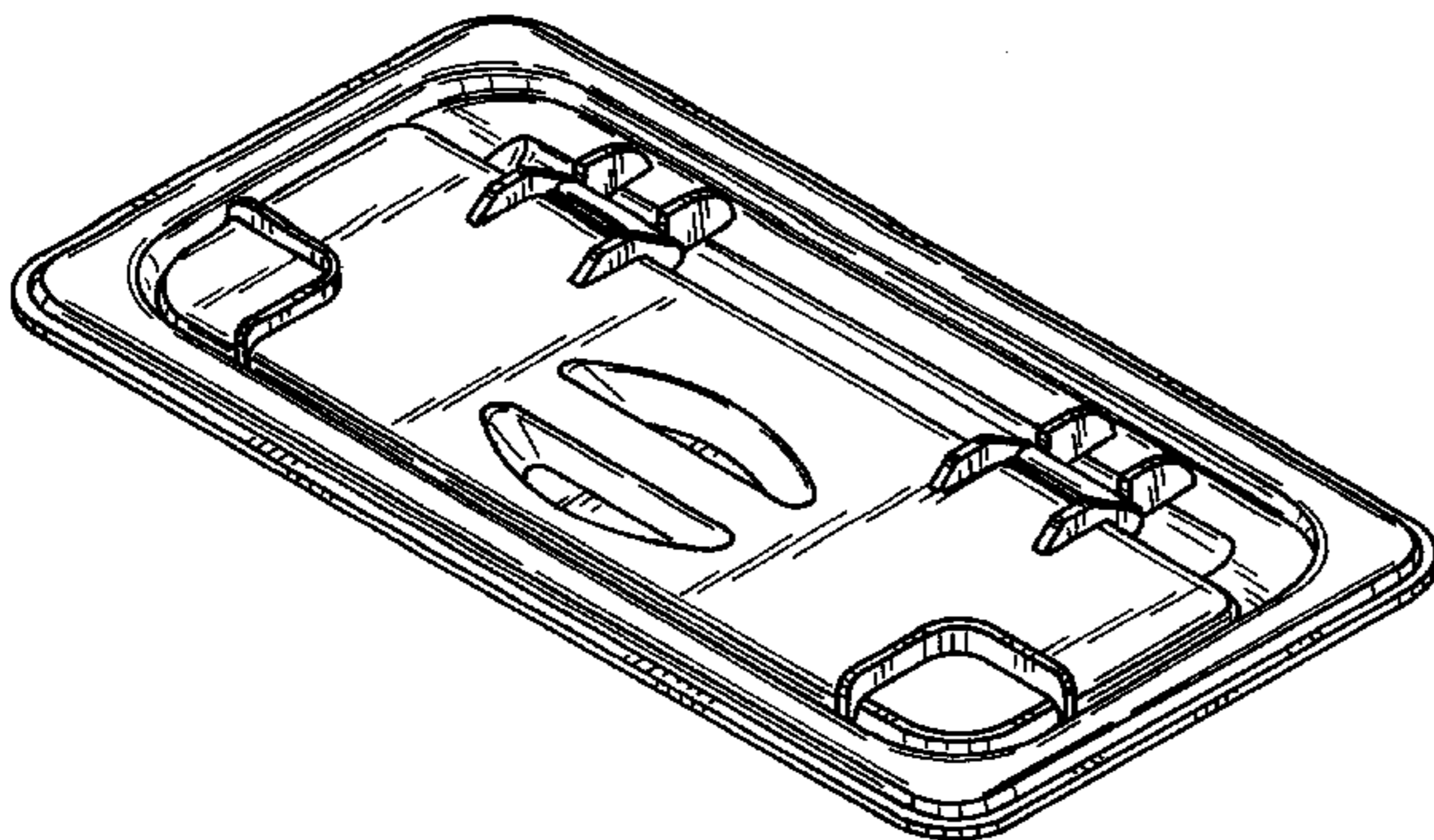
[57] **CLAIM**

The ornamental design for an elongated pan lid, as shown and described.

DESCRIPTION

FIG. 1 shows a perspective view of my elongated pan lid; FIG. 2 shows a top plan view thereof; FIG. 3 shows a frontal elevation view thereof; FIG. 4 shows a right side elevation view; FIG. 5 shows a left side elevation view; FIG. 6 shows a rear elevation view; FIG. 7 shows a bottom view thereof; FIG. 8 is an alternative embodiment without the opening seen on the right side of FIGS. 1 through 7; FIG. 9 shows a top plan view of the alternative embodiment; FIG. 10 shows a front elevation view of the alternative embodiment; FIG. 11 shows a right side elevation view of the alternative embodiment; FIG. 12 shows a left side elevation view of the alternative embodiment; FIG. 13 shows a rear elevation view of the alternative embodiment; and, FIG. 14 shows a bottom view of the alternative embodiment.

1 Claim, 4 Drawing Sheets



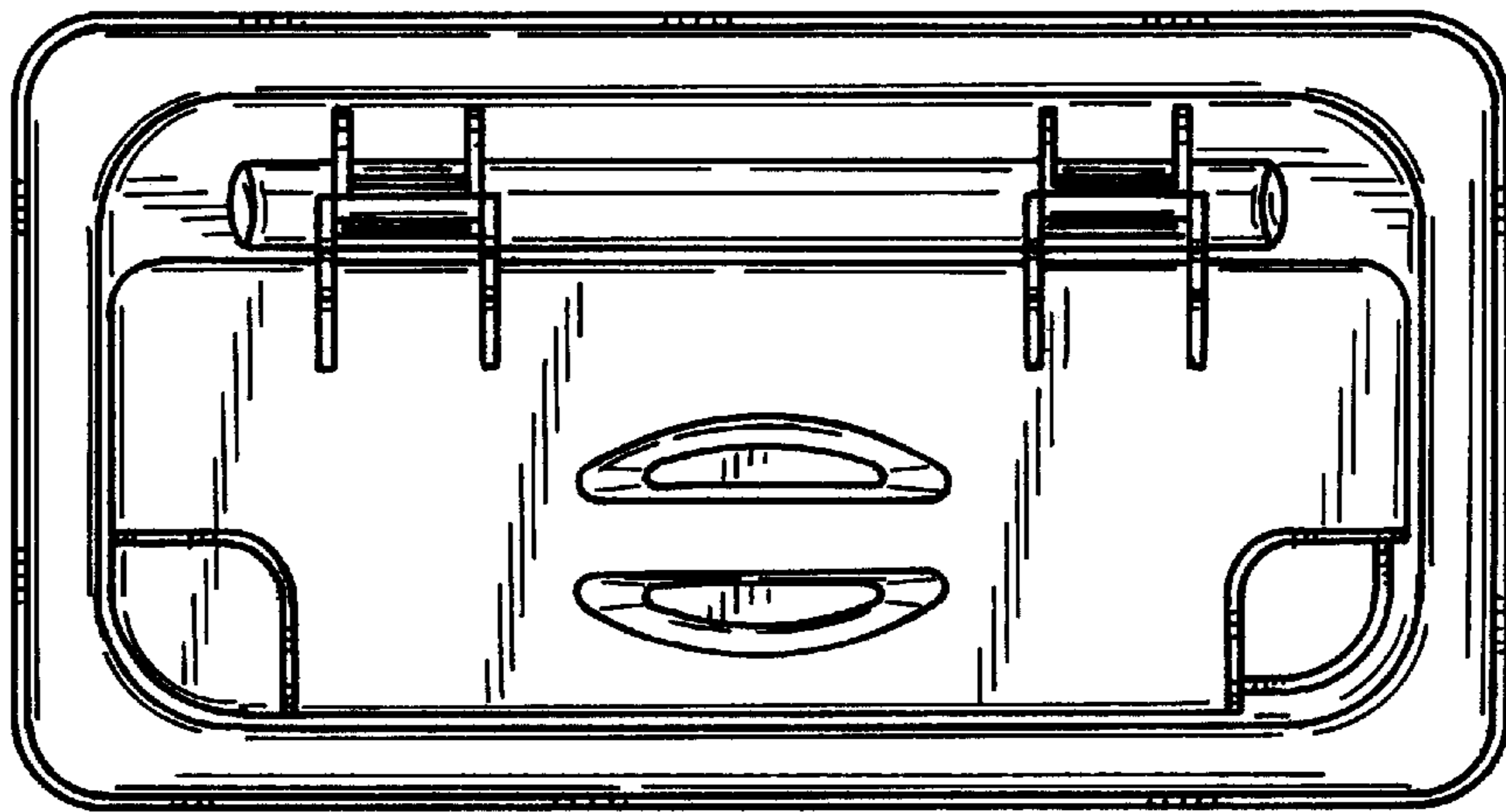
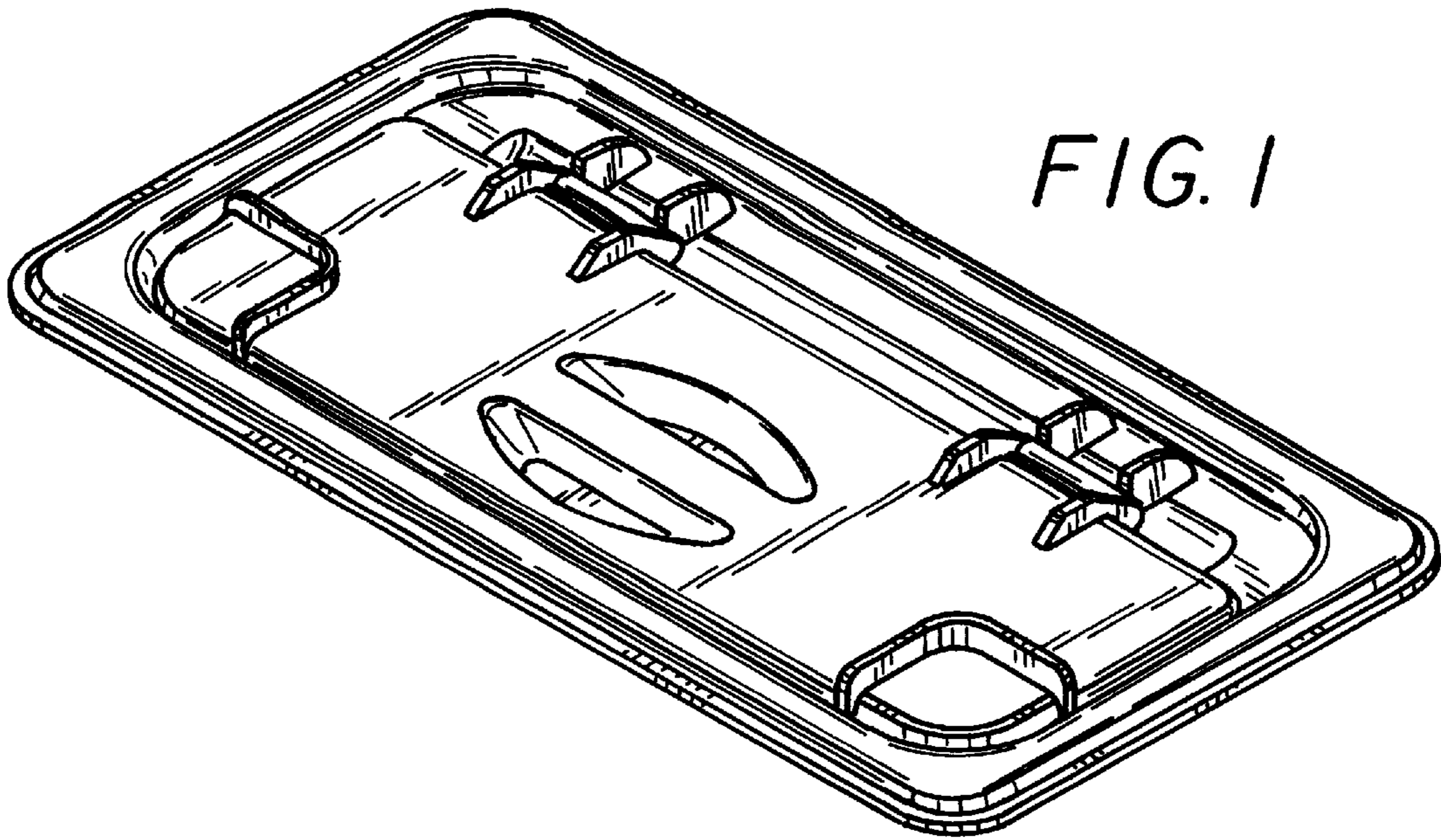


FIG. 2

FIG. 3



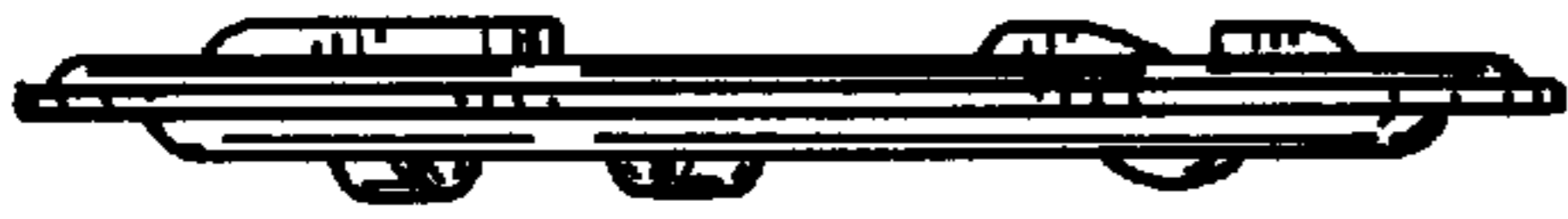


FIG. 4

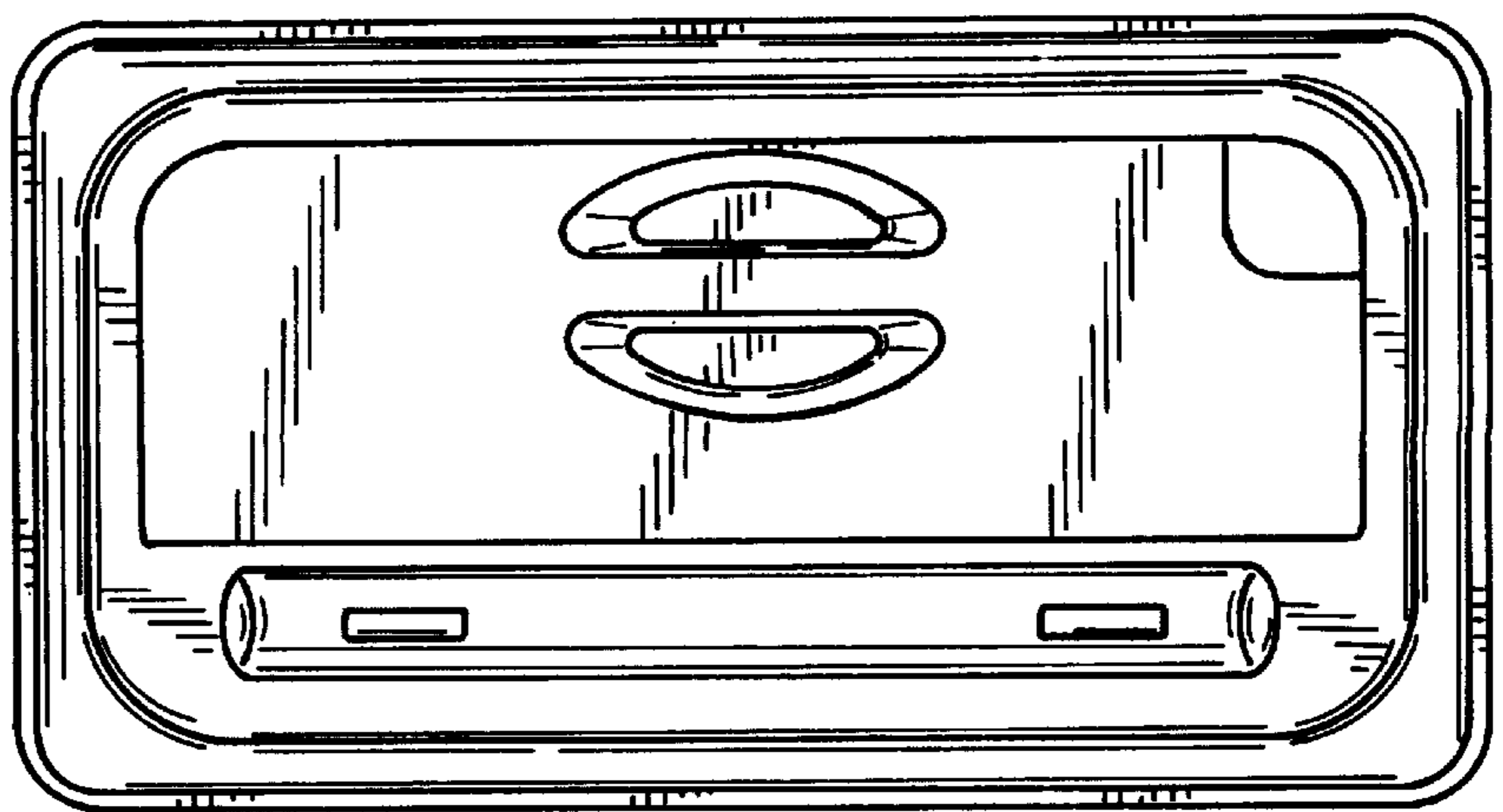


FIG. 5

FIG. 6



FIG. 7



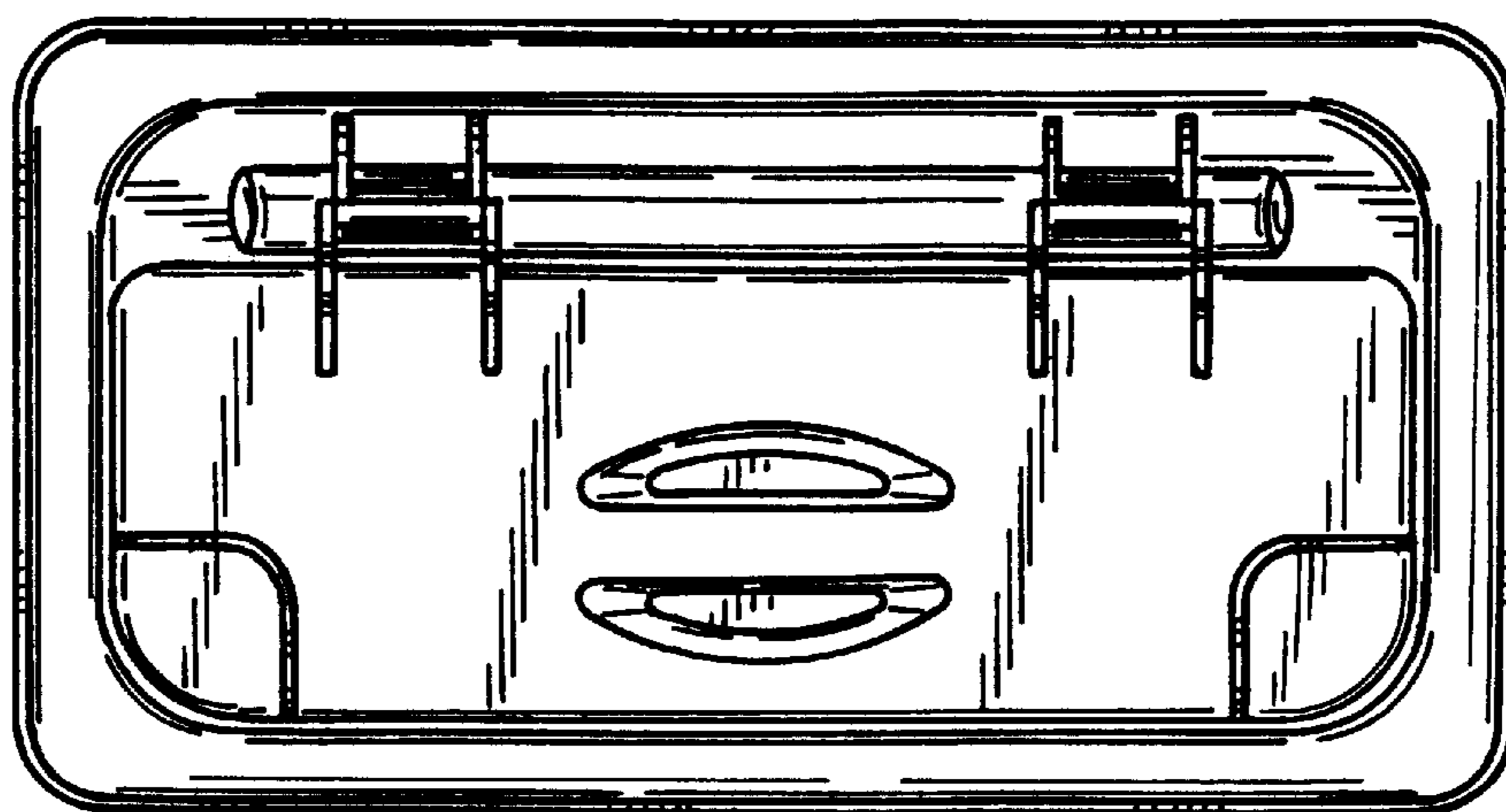
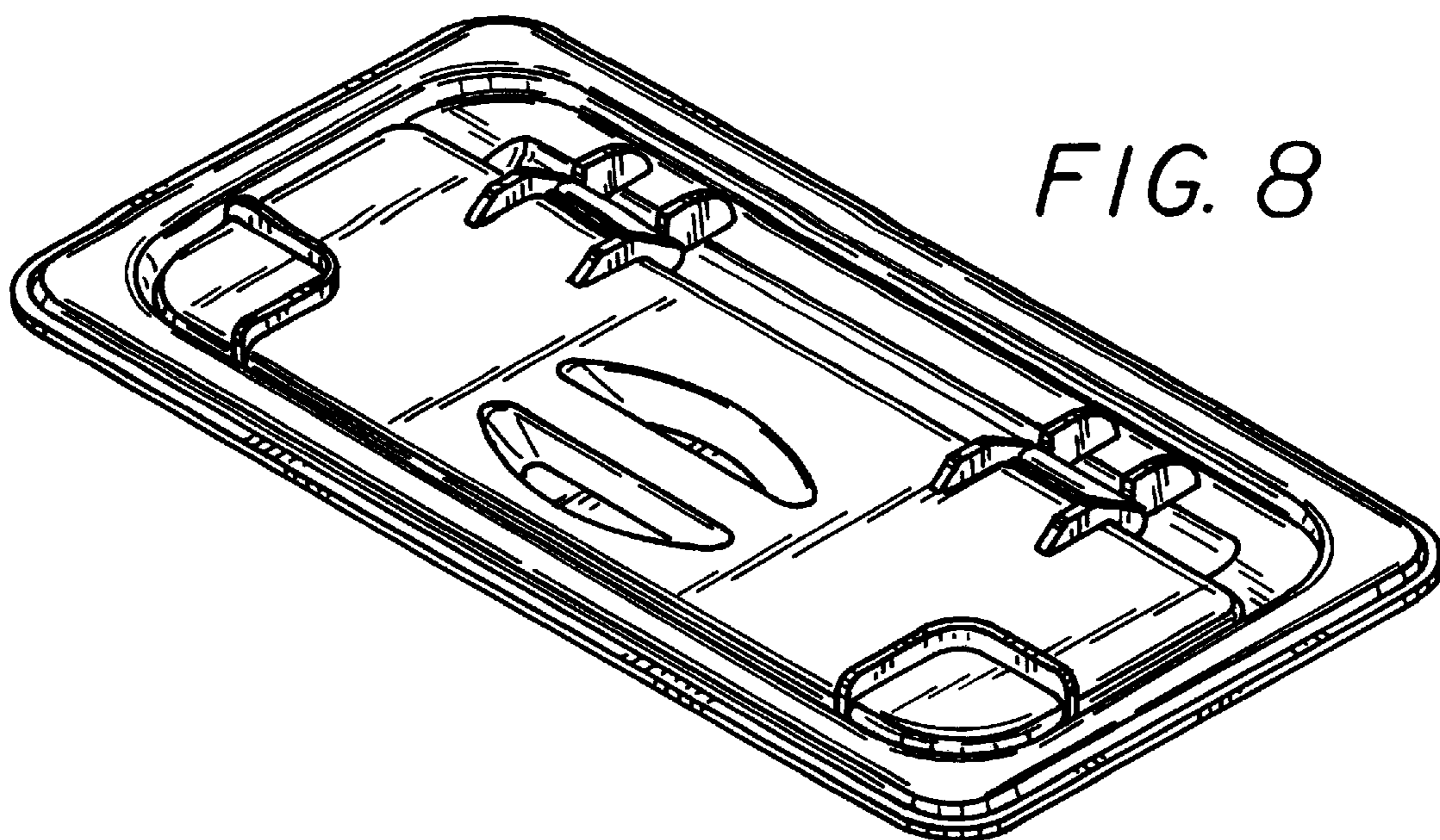


FIG. 9

FIG. 10





FIG. 11

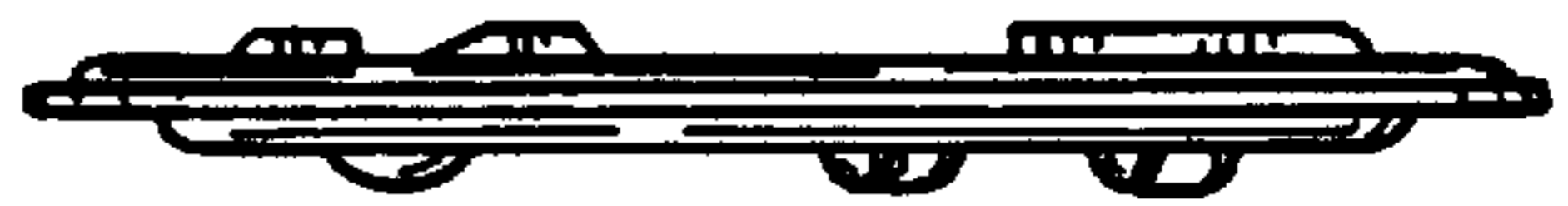


FIG. 12

FIG. 13

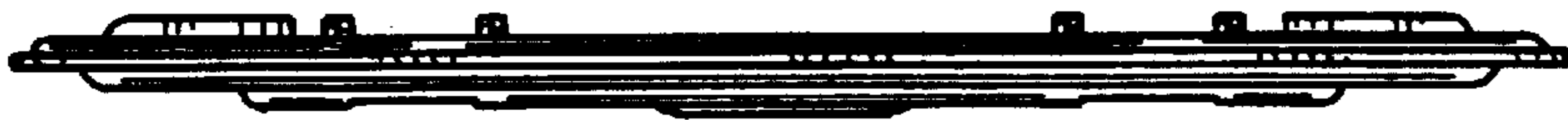


FIG. 14

