



US00D427008S

United States Patent [19] Wasner

[11] **Patent Number: Des. 427,008**

[45] **Date of Patent: ** Jun. 27, 2000**

[54] **HEATED FOOD PRODUCT BIN**

[75] Inventor: **James Michael Wasner**, Shreveport, La.

[73] Assignee: **The Frymaster Corporation**, Shreveport, La.

[**] Term: **14 Years**

[21] Appl. No.: **29/093,440**

[22] Filed: **Sep. 10, 1998**

[51] **LOC (7) Cl.** **07-02**

[52] **U.S. Cl.** **D7/339**

[58] **Field of Search** D7/339, 362, 363, D7/402; 126/39 B, 39 J, 152 R, 211, 214 C, 214 R, 215, 216; 206/557; 219/214, 443.1, 444.1, 448.1, 460.1

[56] **References Cited**

U.S. PATENT DOCUMENTS

5,549,100 8/1996 Heisner et al. 126/39 J

Primary Examiner—Robert M. Spear
Attorney, Agent, or Firm—Ohlandt, Greeley, Ruggiero & Perle

[57] **CLAIM**

I claim the ornamental design for a heated food product bin, as shown and described.

DESCRIPTION

FIG. 1 is a perspective view of a heated food product bin showing my new design;

FIG. 2 is a top plan view thereof;

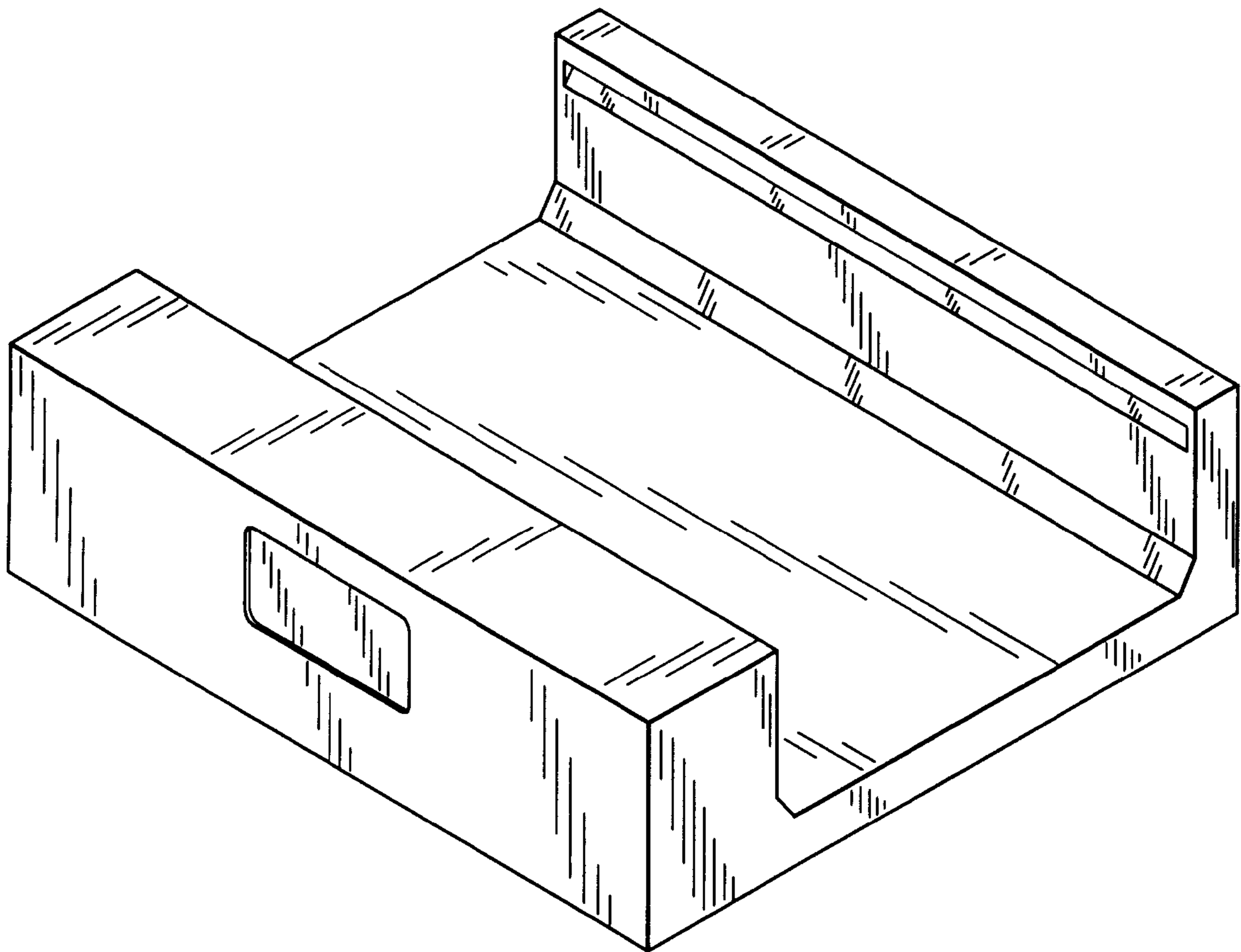
FIG. 3 is side elevational view thereof;

FIG. 4 is front elevational view thereof; and,

FIG. 5 is a rear elevational view thereof.

The surfaces or portions of the article not shown in the drawings or described in the specification form no part of the claimed design.

1 Claim, 1 Drawing Sheet



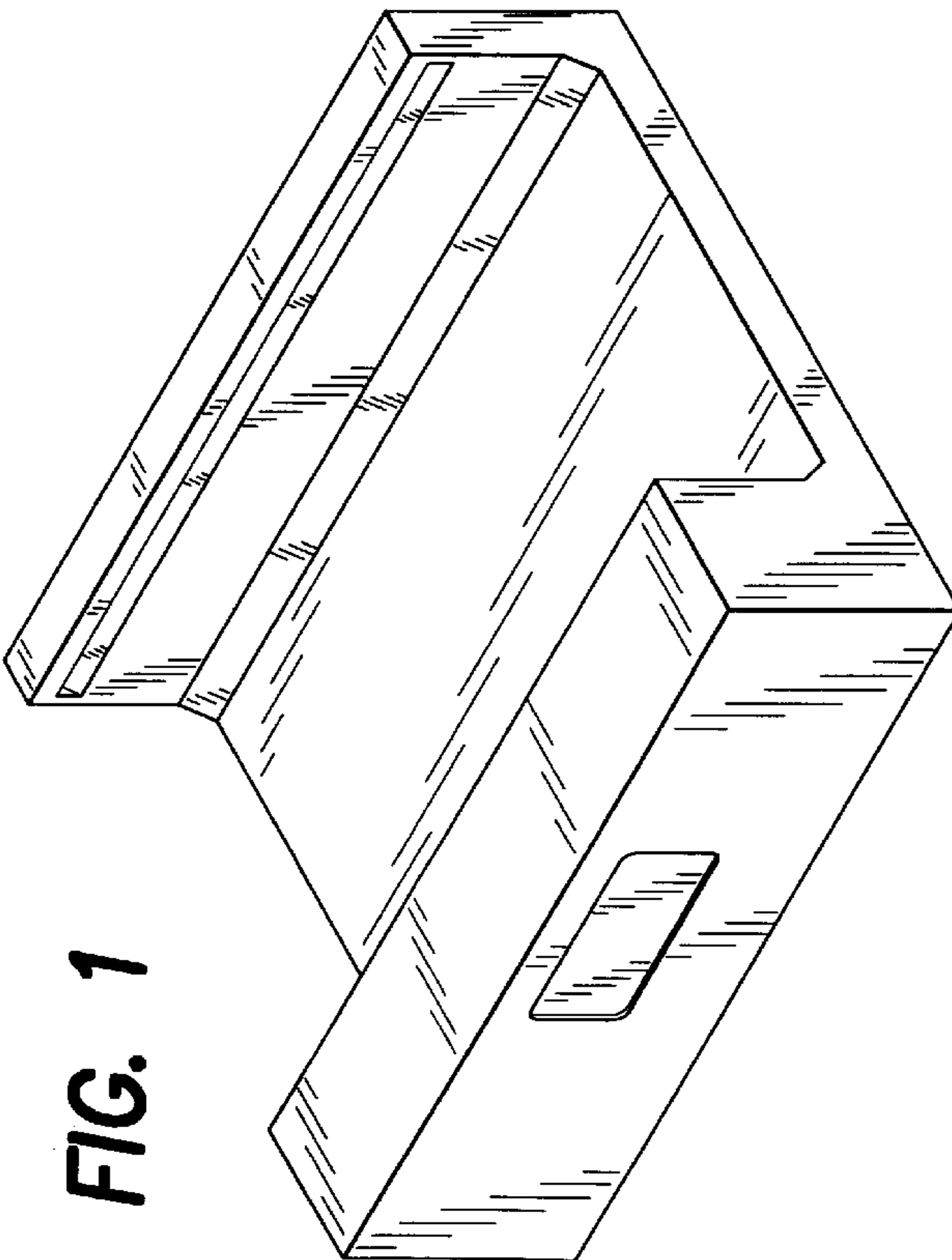


FIG. 1

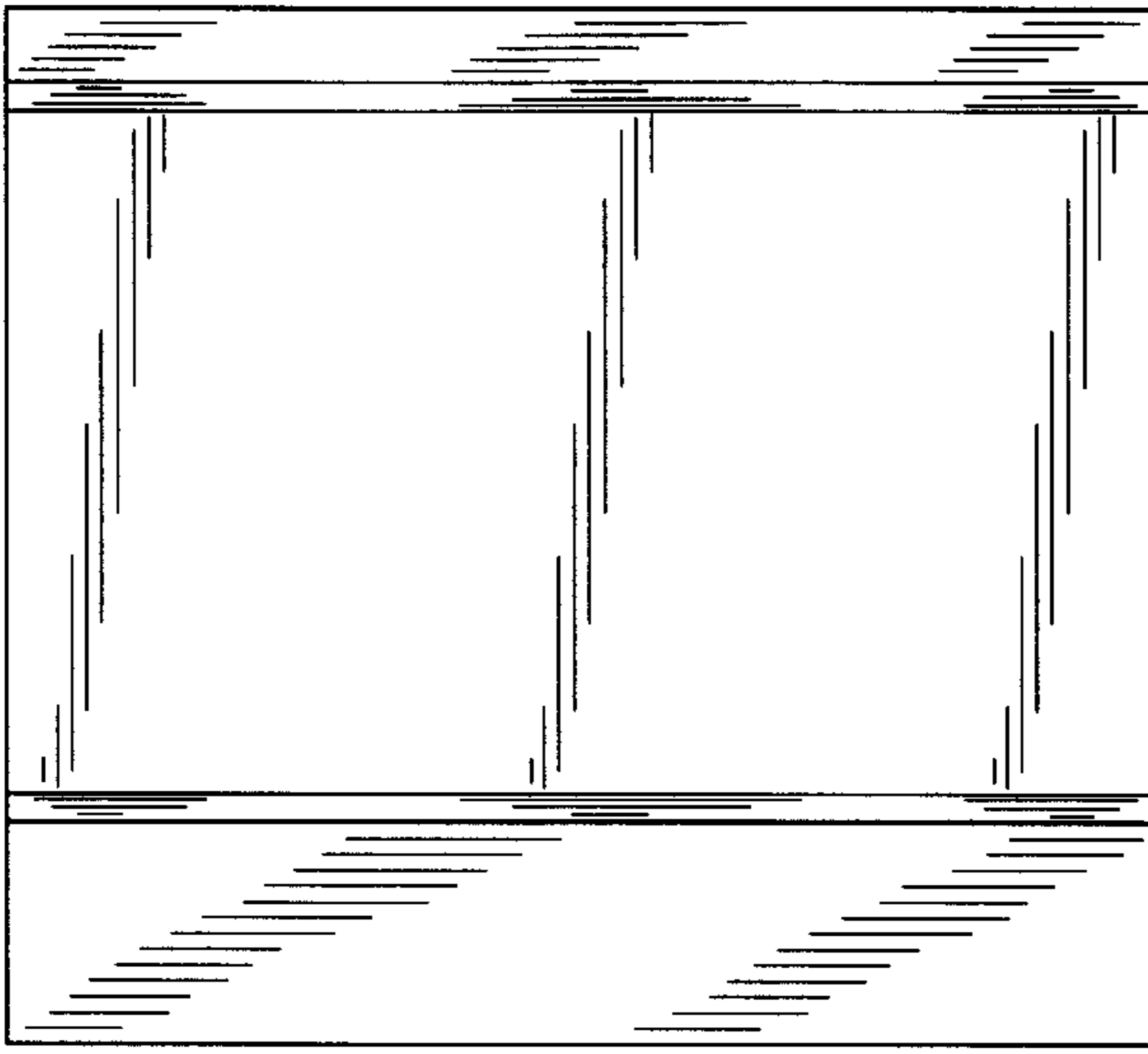


FIG. 2

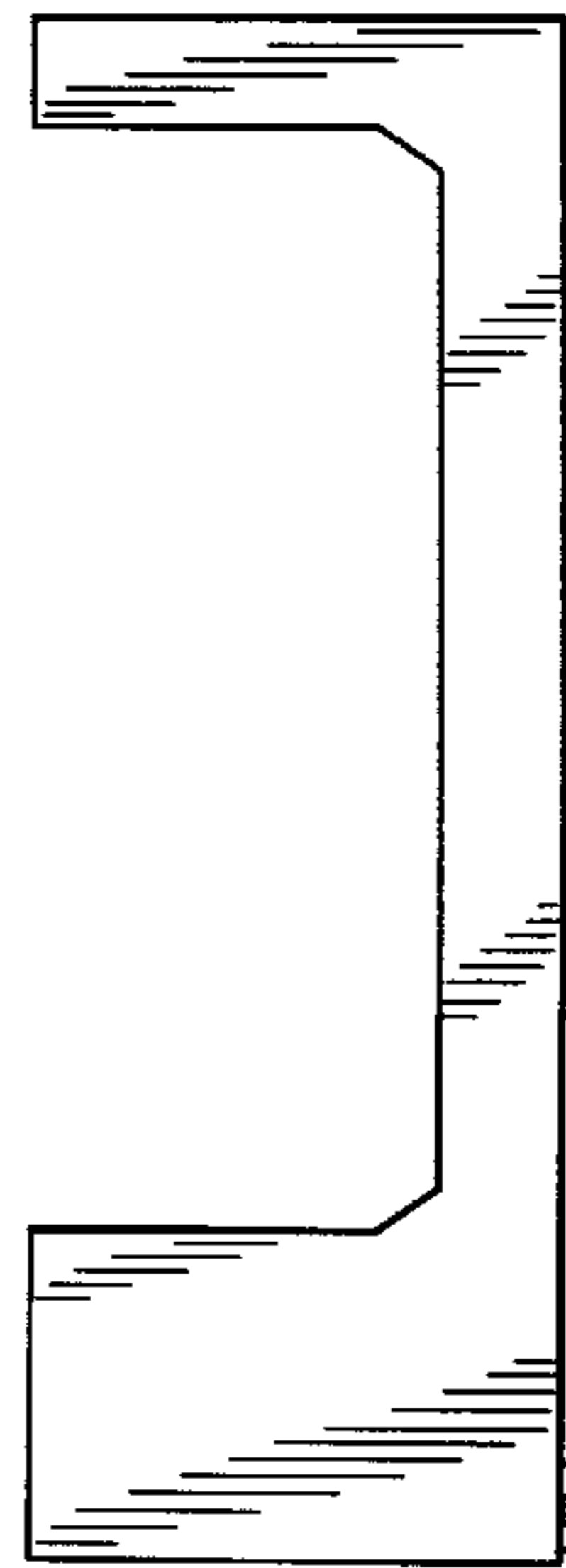


FIG. 3

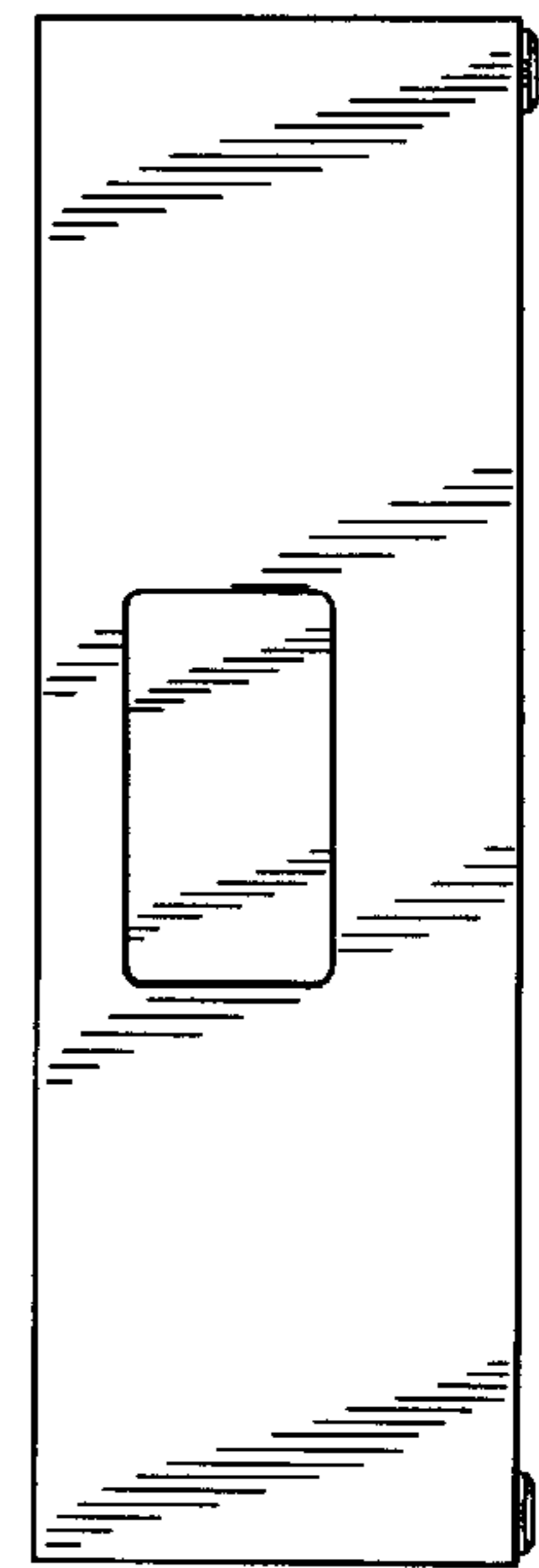


FIG. 4

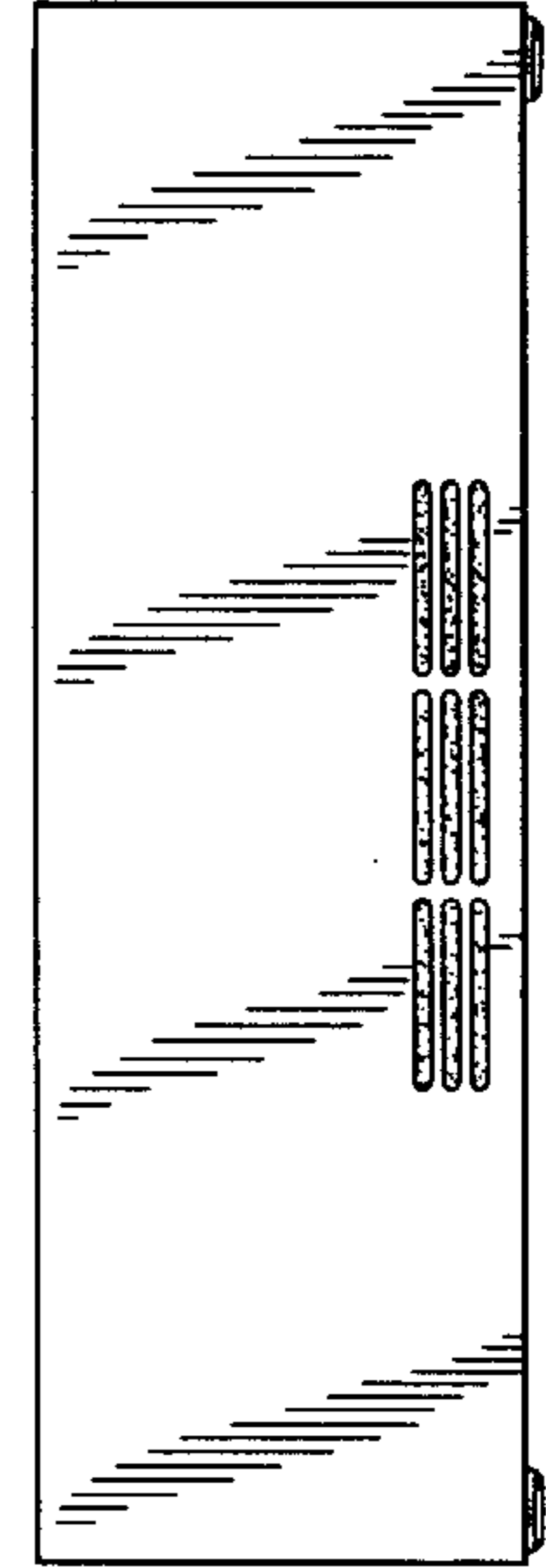


FIG. 5